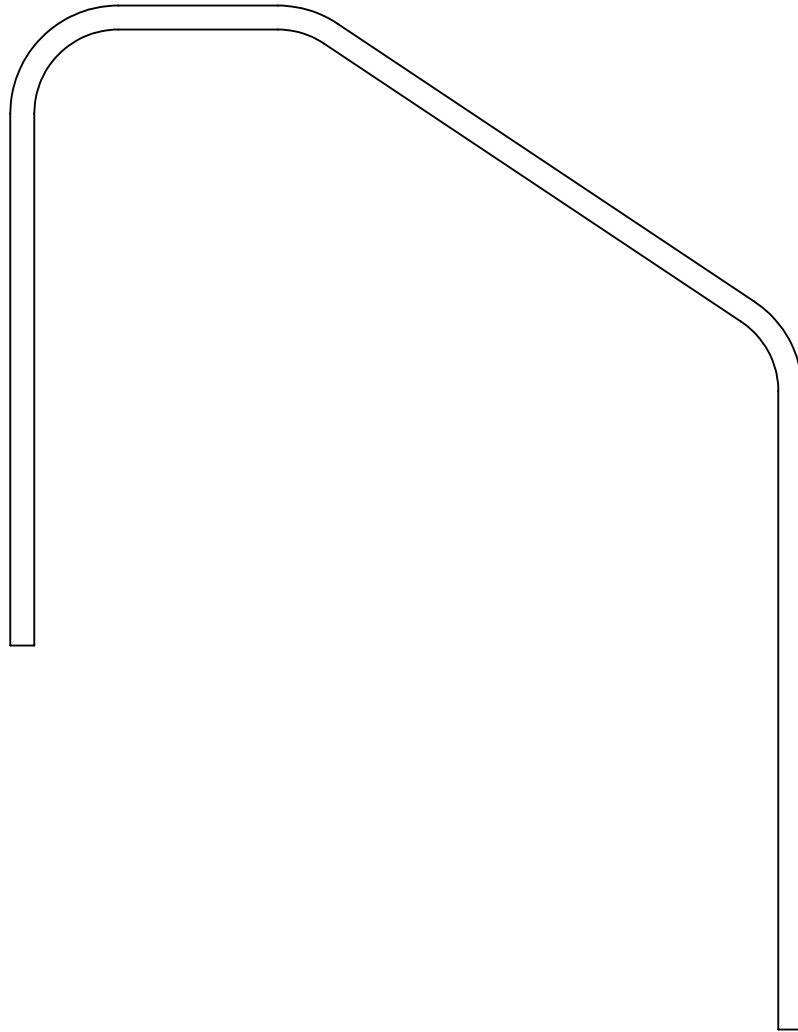




**Aqua Creek Products**  
— Innovative Aquatic Access Solutions —

# OWNER'S MANUAL

USE THIS MANUAL FOR ALL  
TRUPRO 3 BEND STAIR RAILS





# TABLE OF CONTENTS

SAFETY INFORMATION.....	3
PRODUCT OVERVIEW AND APPLICATIONS.....	4
CATALOG NUMBERING SCHEME.....	5
COMPONENT REVIEW.....	6
INSTALLATION.....	7
MAINTENANCE INSTRUCTIONS.....	8
WARRANTY INFORMATION.....	9



## IMPORTANT SAFETY INFORMATION



When installing this product, always follow basic safety precautions, including the following:

### Electrical Safety:

A wire connector is provided on all bondable anchors to connect a minimum 8 AWG (8.4 mm<sup>2</sup>) solid copper conductor to an equipotential bonding system as per NEC Article 680.82.

### Maintenance & Inspection:

Periodically check the apparatus for signs of wear or deterioration. Maintain this product in accordance with the instructions outlined in this manual. See Maintenance page for details.

### REDUCE THE RISK OF DROWNING:

- Never swim alone.
- Supervise children at all times.
- DO NOT jump or dive from this apparatus.

Rails may become hot; use caution when touching.

### READ CAREFULLY BEFORE INSTALLATION:

Before installation, carefully read the instructions and verify all parts using the provided diagrams and parts list (if applicable). Inspect all components for damage before installation. If any damage occurred during shipping, notify Aqua Creek Products LLC within three (3) days of receipt. Proper installation is critical. Improper installation will void the Aqua Creek warranty and may compromise user safety.

Our commercial rails are designed and engineered to meet the US ADA Standards for Accessible Design, Model Aquatic Health Code and International Building standards where applicable.

## PRODUCT OVERVIEW AND APPLICATIONS

The TruPro, 3-Bend Stair Rail is a robust and ergonomic handrail engineered to deliver enhanced support and alignment for pool and spa steps. Unlike 2-bend rails that follow only the stair slope, this 3-bend design runs parallel to both the deck and the stairs—offering improved stability, a more intuitive gripping experience, and supports ADA compliance across a wider range of installation layouts. The rail ensures a continuous, wrinkle-free contour that enhances user comfort and safety during both entry and exit. The TruPro 3-Bend Stair Rail is well-suited for in-ground pools, spas, and other aquatic environments. Its clean, architectural profile complements a wide variety of deck styles, making it ideal for both residential and commercial installations.

## ANCHORS AND ACCESSORIES

TRUPRO RAILS ARE DESIGNED TO MEET ADA COMPLIANCE STANDARDS WHEN INSTALLED USING ANY OF THE ANCHORS LISTED HERE THAT CORRESPOND TO THE SPECIFIED RAIL DIAMETER ( $\phi$ ).

STANDARD ANCHOR OPTIONS		
DESCRIPTION	BRONZE WEDGE ANCHOR - $\phi$ 1.50" 4.00" 6.00"	BRONZE WEDGE ANCHOR - $\phi$ 1.90" 4.00" 6.00"
CATALOG NO.	WA-XX154Z WA-XX156Z	WA-XX194Z WA-XX196Z
PART NO.	INV03707 INV03826	INV01925 INV03825

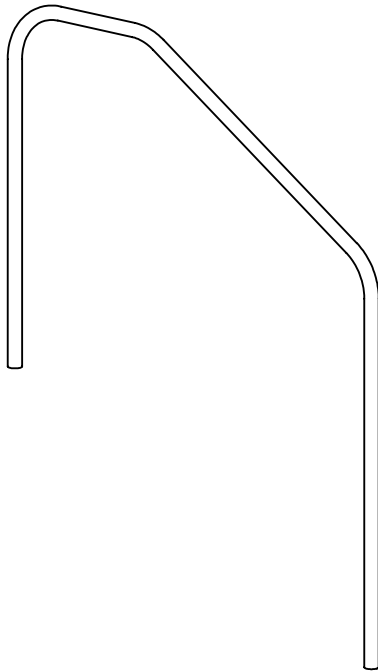


ESCUTCHEON OPTIONS		
DESCRIPTION	STAINLESS STEEL ESCUTCHEON - $\phi$ 1.50"	STAINLESS STEEL ESCUTCHEON - $\phi$ 1.90"
CATALOG NO.	EP-XX15454	EP-XX19454
PART NO.	INV03706	INV03705



## RAIL CATALOG NUMBERING SCHEME

Column →	<b>A</b>	<b>B</b>	-	<b>C</b>	<b>D</b>	<b>E</b>	-	<b>F</b>	<b>G</b>	<b>H</b>
	T	SR	-	3B	48		-	1	4	1



<b>Definition ↓</b>			
<b>A</b>	<b>Series Name</b>	T	= TruPro

<b>B</b>	<b>Rail Class</b>	SR	= Stair Rails
----------	-------------------	----	---------------

<b>C</b>	<b>Rail Type</b>	3B	= 3 Bend
----------	------------------	----	----------

<b>D</b>	<b>Total Width</b>	48	= 48 Inches Long
		60	= 60 Inches Long
		72	= 72 Inches Long

<b>F</b>	<b>Material Type</b>	1	= 1.90 x .065
		2	= 1.90 x .109
		4	= 1.50 x .120

<b>G</b>	<b>Material Grade</b>	4	= 304L Stainless Steel
		6	= 316L Marine Grade Stainless Steel

<b>H</b>	<b>Color / Finish</b>	1	= Polished Stainless
----------	-----------------------	---	----------------------

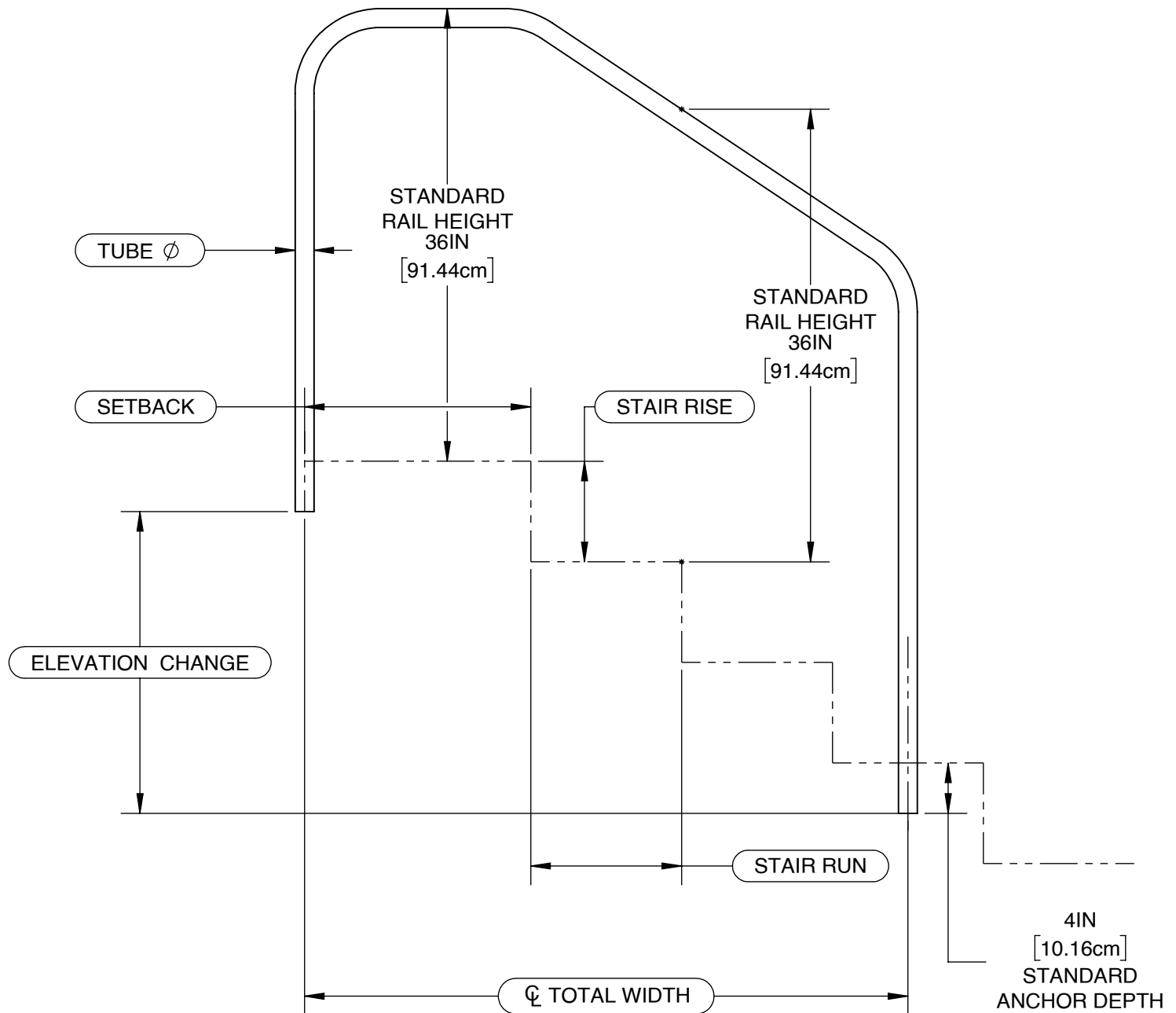
CURRENT STANDARD OPTIONS:

Catalog#	Part#	Description
TSR-3B48-461	INV03693	TRUPRO - 3-BEND STAIR RAIL - 48.00" LONG X 1.50" OD X .120 WALL - 316LSS
TSR-3B48-141	INV03694	TRUPRO - 3-BEND STAIR RAIL - 48.00" LONG X 1.90" OD X .065 WALL - 304LSS
TSR-3B48-241	INV03695	TRUPRO - 3-BEND STAIR RAIL - 48.00" LONG X 1.90" OD X .109 WALL - 304LSS

TSR-3B60-461	INV03697	TRUPRO - 3-BEND STAIR RAIL - 60.00" LONG X 1.50" OD X .120 WALL - 316LSS
TSR-3B60-141	INV03698	TRUPRO - 3-BEND STAIR RAIL - 60.00" LONG X 1.90" OD X .065 WALL - 304LSS
TSR-3B60-241	INV03699	TRUPRO - 3-BEND STAIR RAIL - 60.00" LONG X 1.90" OD X .109 WALL - 304LSS

TSR-3B72-461	INV03701	TRUPRO - 3-BEND STAIR RAIL - 72.00" LONG X 1.50" OD X .120 WALL - 316LSS
TSR-3B72-141	INV03702	TRUPRO - 3-BEND STAIR RAIL - 72.00" LONG X 1.90" OD X .065 WALL - 304LSS
TSR-3B72-241	INV03703	TRUPRO - 3-BEND STAIR RAIL - 72.00" LONG X 1.90" OD X .109 WALL - 304LSS

# COMPONENT REVIEW



REFER TO INDIVIDUAL SPECIFICATION DRAWINGS FOR DIMENSIONAL DETAILS

## PRODUCT INSTALLATION

The pool rail is secured to the deck using a wedge anchor system. Each rail leg inserts into a pre-installed anchor sleeve embedded in the deck (refer to the anchor manual for installation details). A wedge bolt within each anchor expands when tightened, locking the rail securely in place.

*Important: For best results, install wedge anchors only after the rail is available to ensure proper alignment and fit. If using escutcheons (sold separately), slide them onto the rail legs before inserting the rail into the anchors as shown below.*

### Installation

#### 1. Align the rail:

Position the rail so that each leg is vertically aligned with its corresponding anchor sleeve.

#### 2. Insert the rail:

Lower both rail legs into the anchor sleeves, ensuring they are fully seated and inserted to equal depth.

#### 3. Secure the rail:

Using an appropriate wrench or socket, tighten the wedge anchor bolts inside each anchor sleeve. This expands the internal wedge mechanism, clamping the rail firmly in place.

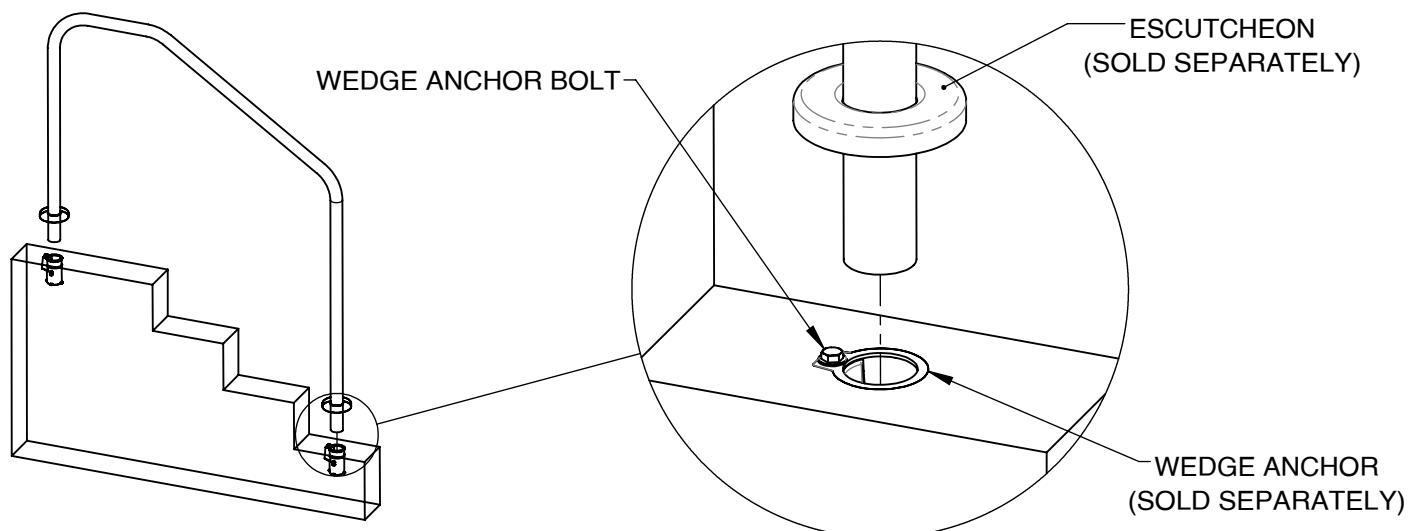
### Removal

#### 1. Loosen the anchor bolts:

Use a wrench or socket to loosen the wedge anchor bolts, releasing the internal grip on the rail.

#### 2. Remove the rail:

Lift the rail legs from the sleeves. If resistance is encountered, gently tap the rail near each leg upward with a *soft-headed* mallet. To prevent damage to the surface finish, place a clean, non-abrasive cloth between the mallet and the rail. Avoid using metal tools or striking the rail directly, as this may damage the surface finish.



## MAINTENANCE INSTRUCTIONS

PROCEDURE	DAILY	WEEKLY	MONTHLY	ANNUALLY
<p><b>Wipe Down After Use:</b> At the end of each day the pool is used, wipe the rail with a clean, soft cloth to remove fingerprints, oils, and water droplets that may contribute to spotting or dullness over time.</p>				
<p><b>Rinse with Fresh Water:</b> Spray the exposed surfaces of the rail with clean, non-chlorinated water using a hose or spray bottle. This helps remove lingering pool chemicals, particularly in saltwater or heavily chlorinated systems.</p>				
<p><b>Gentle Surface Cleaning:</b> If visible buildup or staining appears, wipe the rail with a soft cloth dampened with a mild, non-abrasive soap solution. Rinse the cloth frequently and follow with a fresh water rinse.</p> <p><b>Note:</b> Full rail removal is not required. Focus on accessible areas above the deck or waterline.</p>				
<p><b>Deep Cleaning:</b> Use a stainless steel cleaner or polish approved for polished finishes. Avoid abrasive tools or harsh chemicals that could scratch or dull the surface.</p>				
<p><b>Protective Coating (Optional):</b> Apply a stainless steel protectant or polish designed for pool or marine environments to extend the life of the finish.</p>				
<p><b>Visual Inspection:</b> Check for any signs of discoloration, buildup, or surface wear. Prompt cleaning and treatment can help prevent long-term issues.</p>				
<p><b>Fastener &amp; Anchor Inspection:</b> Ensure that all wedge anchor bolts are tight and the rail is secure. Remove the rail if necessary to clean anchor sleeves and inspect for wear or buildup.</p>				
<p><b>Evaluate Structural Condition:</b> Inspect the rail for pitting, rust, or signs of fatigue. If damage is found, contact your local distributor or a qualified service professional for repair or replacement if needed.</p>				



# AQUA CREEK PRODUCTS, LLC LIMITED THREE (3) YEAR WARRANTY

## STAINLESS STEEL RAILS & LADDERS

Aqua Creek Products, LLC ("Aqua Creek") warrants to the original end-user purchaser that its stainless-steel rails and ladders, when properly installed in accordance with all assembly and installation instructions and properly used and maintained, shall be free from defects in material and workmanship for a period of three (3) years from the date of original purchase. To qualify, Aqua Creek must receive prompt written notice of any defect or failure along with satisfactory proof thereof.

**EXCLUSIONS AND LIMITATIONS:** This limited warranty does not cover the following:

- Loss or damage in transit
- Damage to powder coat or stainless finishes caused by vandalism, scratches, scrapes, corrosion, chemical exposure, or impact
- Defects resulting from negligence, mishandling, abuse, improper maintenance, or unauthorized use
- Normal wear and damage from daily use
- Any product that has been altered, repaired, or installed by any party without prior written approval from Aqua Creek
- Any damage resulting from accidents, force majeure events, acts of nature, or misuse
- Any warranty claim on products not fully paid for
- Any damage caused by improper water chemistry (e.g., high chlorine, salt, or pH imbalance)

This warranty excludes reimbursement for labor costs related to the removal, repair, or reinstallation of any product and any associated shipping charges. Aqua Creek is not responsible for damages or injuries resulting from failure to follow installation instructions or improper use.

**CLAIMS PROCESS:** To initiate a warranty claim, the product owner must provide the following in writing:

- Place of purchase
- Full product description and serial number (if applicable)
- Dates of purchase and installation
- Detailed description of the defect

Aqua Creek will respond within thirty (30) days after receipt of the complete claim, barring unforeseen delays. If requested, the defective product must be returned—freight prepaid by the customer—to Aqua Creek's designated factory or authorized distributor for inspection. Aqua Creek, at its discretion, will repair or replace the defective product and ship the repaired or replacement item to the customer. All freight charges remain the customer's responsibility. Any product replaced under this warranty becomes the property of Aqua Creek. The warranty period for repaired or replaced products shall remain tied to the original product warranty and shall not be reset or extended.

**INSTALLATION AND MAINTENANCE REQUIREMENTS:** Proper installation must be carried out by a qualified individual or contractor following Aqua Creek's official guidelines. Evidence of installation and maintenance logs may be requested in the event of a claim. Regular inspection and cleaning of stainless-steel surfaces using non-abrasive and non-corrosive agents are required to maintain warranty coverage.

**LIMITATION OF LIABILITY:** This written limited warranty is the complete and exclusive statement of warranty coverage. No other person or entity is authorized to make warranties on behalf of Aqua Creek. Aqua Creek expressly disclaims all implied warranties, including those of merchantability and fitness for a particular purpose.

The sole and exclusive remedies for breach of warranty shall be limited to repair or replacement at Aqua Creek's designated location, authorized distributor, or in place, at Aqua Creek's option. Aqua Creek's total liability shall not exceed the purchase price paid for the defective product.

In no event shall Aqua Creek be liable for incidental, consequential, special, indirect, punitive, or exemplary damages, including lost profits.

**STATE LAW NOTICE:** This warranty gives you specific legal rights. You may also have other rights which vary by state. Some states do not allow the exclusion or limitation of incidental or consequential damages, so the above limitations may not apply to you.