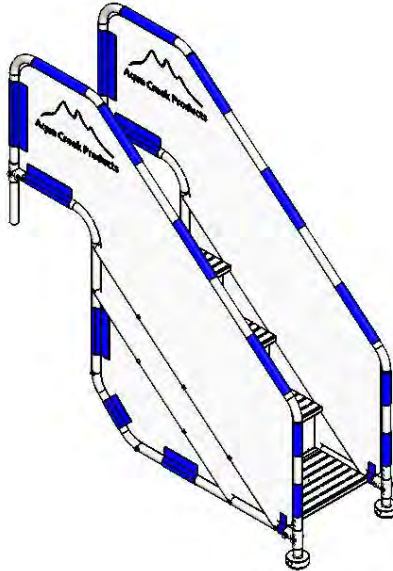




# Aqua Creek Products

The Total Solution for Pool and Spa Access



## INSTALLATION INSTRUCTIONS 4-STEP POOL ACCESS STEPS ASSEMBLY PART NUMBER: F-4T22 450 LB. [204kg] MAXIMUM CAPACITY

### **- WARNING -**

#### **IMPORTANT SAFETY INSTRUCTIONS**

- 1. READ AND FOLLOW ALL INSTRUCTIONS. SAFETY CAN ONLY BE ENSURED IF THE STEPS ARE INSTALLED AND USED PROPERLY – ACCORDING TO THESE INSTRUCTIONS.**
- 2. TO REDUCE THE RISK OF INJURY, DO NOT PERMIT CHILDREN TO USE THIS PRODUCT UNLESS THEY ARE CLOSELY SUPERVISED AT ALL TIMES.**
- 3. DO NOT PERMIT CHILDREN TO PLAY ON OR AROUND THIS PRODUCT.**
- 4. SAVE A COPY OF THESE INSTRUCTIONS IN A SAFE AND EASILY ACCESSIBLE PLACE.**

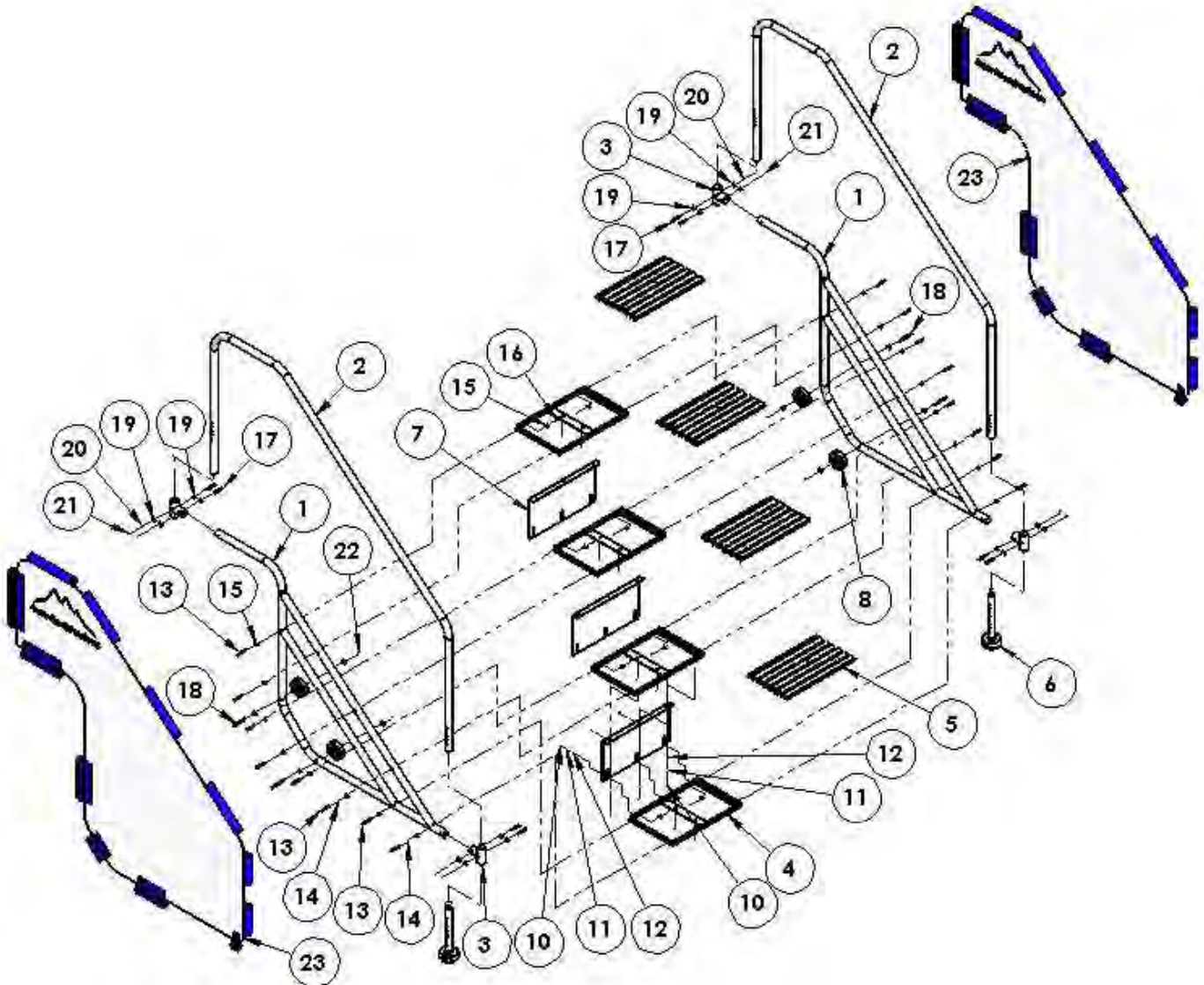
AQUA CREEK PRODUCTS  
9889 GARRYMORE LANE  
MISSOULA, MT 59808  
1-888-687-3552  
FAX: 406-549-2602

# **POOL ACCESS STEPS** **TABLE OF CONTENTS**

<b><u>PAGE</u></b>	<b><u>DESCRIPTION</u></b>
<b>3</b>	<b>PARTS LIST</b>
<b>4</b>	<b>OVERVIEW</b>
<b>5-7</b>	<b>ANCHOR INSTALLATION</b>
<b>8-10</b>	<b>STEP-BY-STEP ASSEMBLY</b>
<b>11</b>	<b>REMOVING &amp; TRANSPORTING</b>
<b>12</b>	<b>WARRANTY</b>

## PARTS LIST

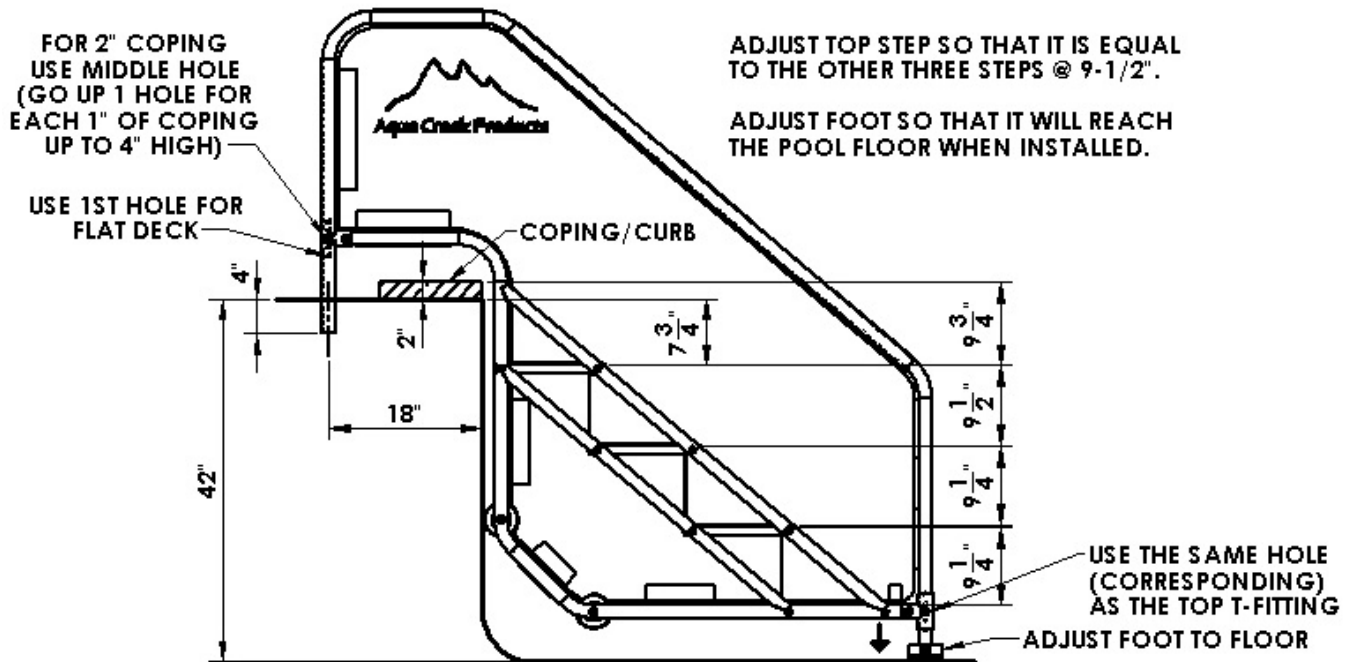
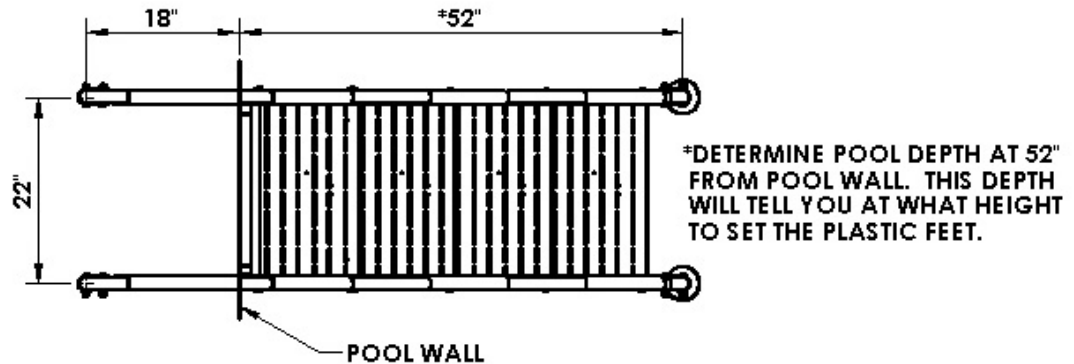
ITEM NO.	QTY.	PART NUMBER	DESCRIPTION	ITEM NO.	QTY.	PART NUMBER	DESCRIPTION
1	2	TSP-100-10	STAIR STRINGER ASSEMBLY, POOL ACCESS STEPS	13	16	BOLT, 5/16 X 2 1/2 BHSCS	BOLT, 316 SS, 5/16 X 2 1/2 BHSCS
2	2	TSP-200-20	3-STEP THERAPY HAND RAIL	14	8	LOCK WASHER, 5/16 SS	LOCK WASHER, 5/16", SS
3	4	TSP-TCN-00	T-CONNECTOR, POOL ACCESS STEPS	15	24	FLAT WASHER, 5/16 SS	WASHER, FLAT, 5/16, 316 SS
4	4	TSP-TRD-20-10	20" POOL ACCESS STAIR TREAD WELDMENT	16	8	NYLOCK, 5/16 SS	NUT, 316 SS, NYLOCK, 5/16"
5	1.3	T-60-12-1.25-M	GRATING, POLYPROPYLENE, DECK GRATING	17	8	BOLT, 3/8 X 2 1/2 BHSCS	BOLT, 316 SS, 3/8 X 2 1/2 BHSCS
6	2	TSF-100-00	PLASTIC FOOT ASSEMBLY, POOL ACCESS STEPS	18	4	BOLT, 3/8 X 3 1/2 HCS	BOLT, 316 SS, 3/8 X 3 1/2 HCS
7	3	TSP-RPL-20	RISER STAIR PANEL	19	24	FLAT WASHER, 3/8 SS	WASHER, FLAT, 3/8, 316 SS
8	4	2.00004.471-SSB	WHEEL, 4" WHEEL RUBBER	20	8	LOCK WASHER, 3/8 SS	LOCK WASHER, 3/8", SS
9	8	SCREW, #12 X 3/4 FHSMS	SCREW, 316 SS, #12 X 3/4", FHSMS	21	8	NUT, ACORN, 3/8, SS	NUT, 316 SS, ACORN, 3/8"
10	18	BOLT, 1/4 X 1/2 BHSCS	BOLT, 316 SS, 1/4 X 1/2 BHSCS	22	4	NYLOCK, 3/8 SS	NUT, 316 SS, NYLOCK, 3/8"
11	18	LOCK WASHER, 1/4 SS	LOCK WASHER, 1/4", SS	23	2	TS4-SSP-00	4-STEP SIDE PANEL
12	18	FLAT WASHER, 1/4 SS	WASHER, FLAT, 1/4, 316 SS				



**\*NOTE:** Before continuing lay out all the parts to be sure that you have everything required for assembly.

## OVERVIEW

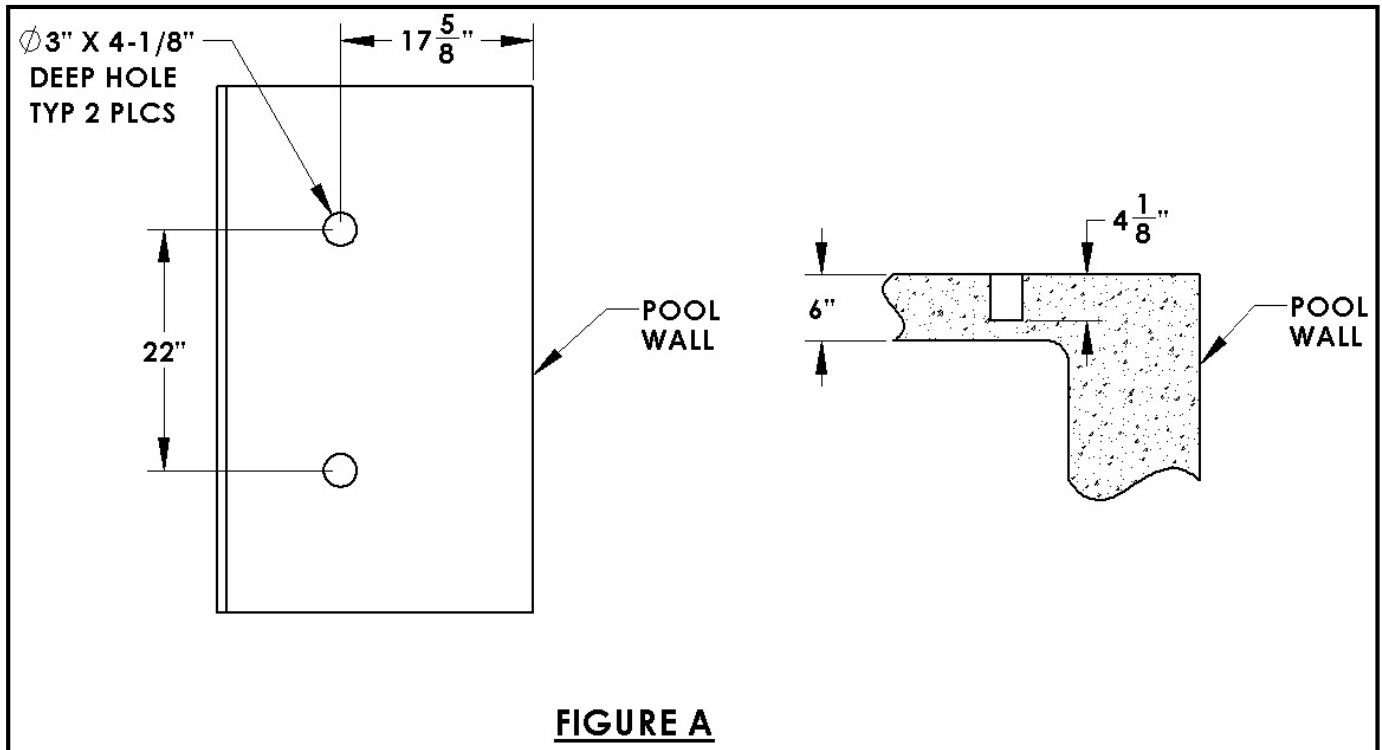
The Aqua Creek 4-Step Pool Access Steps will fit most pools with deck to floor measurements of 42"-48". Before assembling and installing the Pool Access Steps review the diagrams below and determine how your Pool Access Steps need to be assembled to fit your pool. Preferably, adjustments should be made before installing the Pool Access Steps. This will include top step and foot height adjustments.



## ANCHOR INSTALLATION: RETROFIT

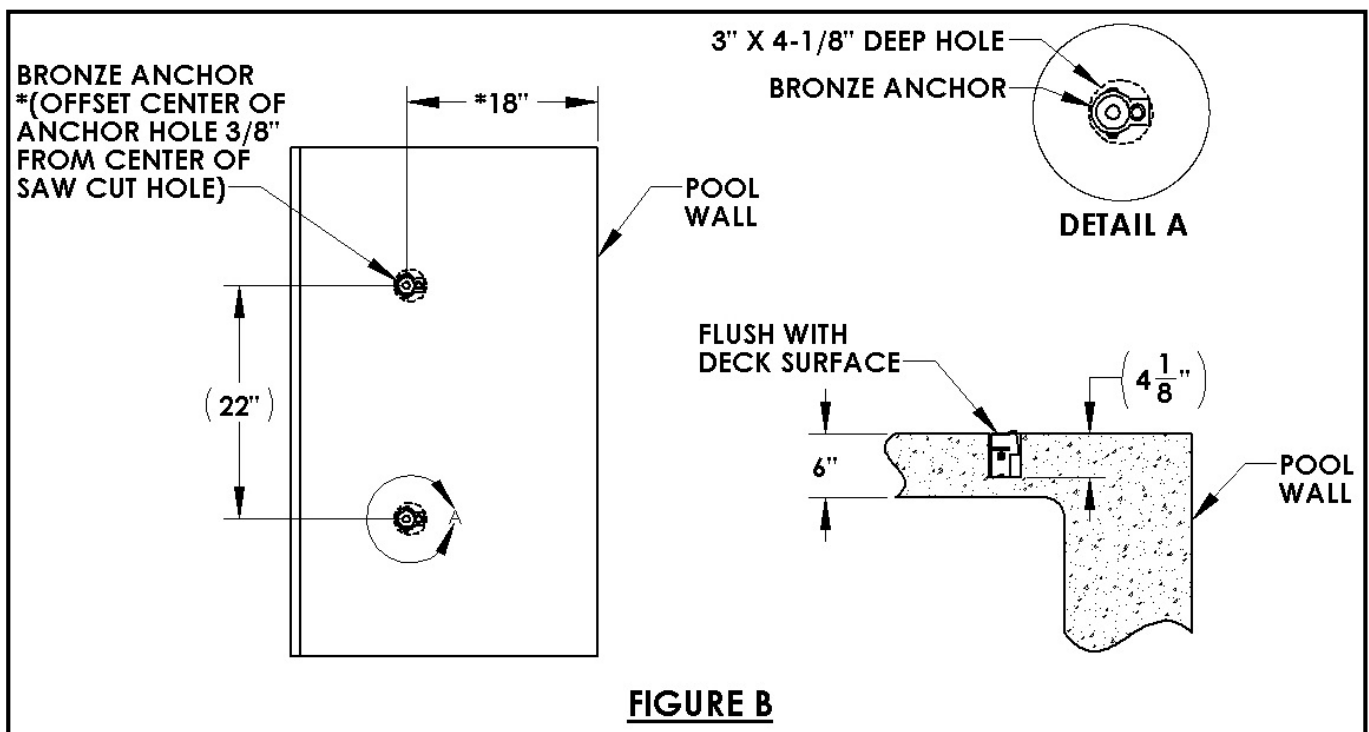
Before installing the anchors first select a location on your deck where the deck to pool floor measurement is between 36" and 42".

- 1) Mark two locations for the anchors at  $17\frac{5}{8}$ " from the edge of the deck and 22" apart on center.
- 2) With a 3" core drill bit and core drill rig, drill straight down at the two anchor locations to a depth of  $4\frac{1}{8}$ ". Remove cores. This may require a chisel and hammer.
- 3) Remove all debris from holes and check to make sure depth is  $4\frac{1}{8}$ ", adjust as necessary.
- 4) Before installing, dry out the holes as thoroughly as possible. An electric hair dryer may be helpful.



## ANCHOR INSTALLATION: RETROFIT continued

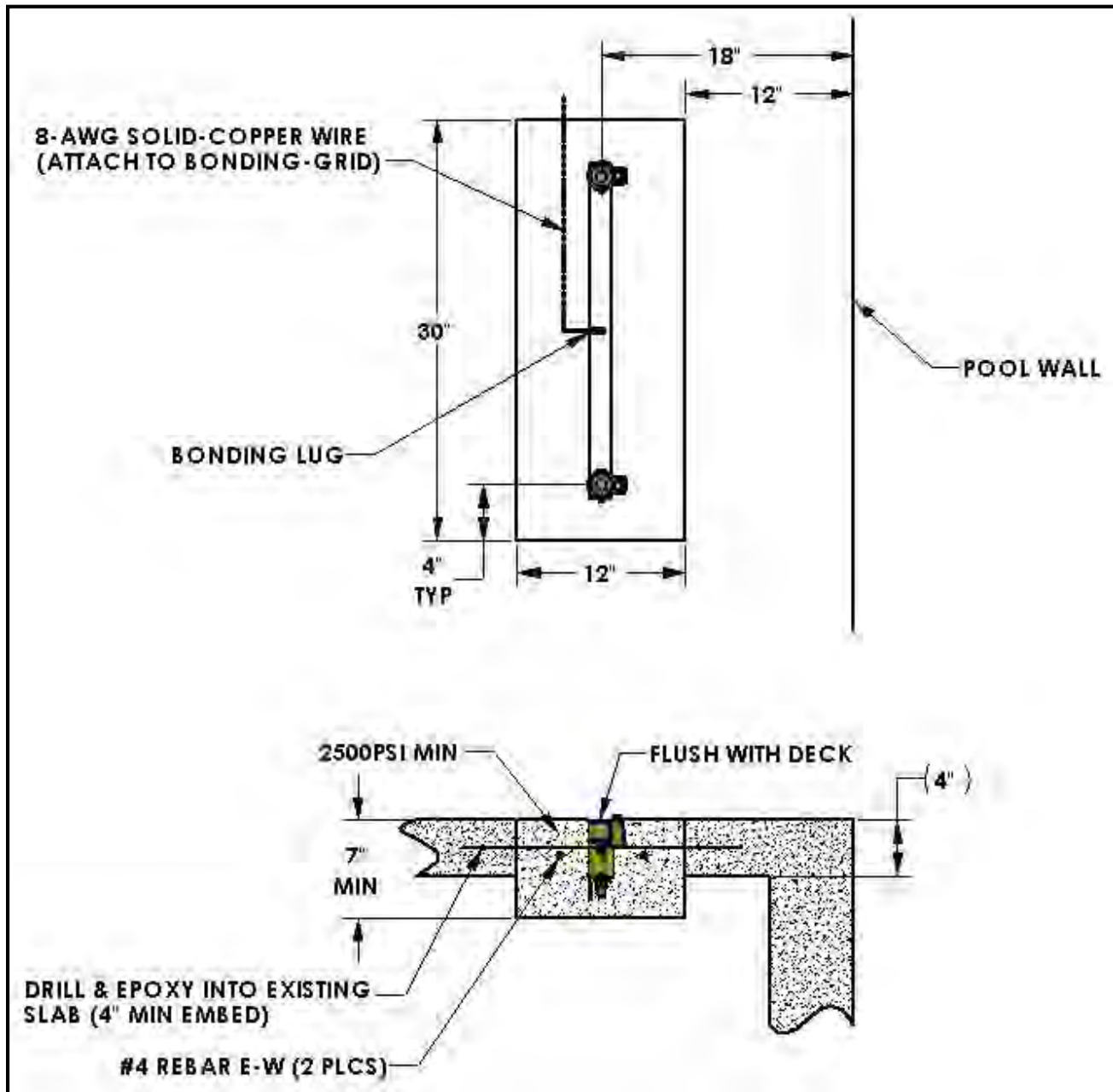
- 5) \*Allow for a way to bond at least one anchor per local electrical codes, as applicable.
- 6) Fill each hole 1/3 to 1/2 full with 2-part epoxy.
- 7) Set anchors into holes, as shown below, with wedge towards pool.
- 8) With a tape measure, make sure both anchors are 18" from the pool wall and 22" apart (measure to the **center** of the anchor).
- 9) Make sure the anchors are flush and plumb and clean off any excess epoxy. If holes are not filled, add epoxy as necessary.
- 10) Allow epoxy to cure for at least 24 hours or per manufacturer's instructions. **Do not install stairs until epoxy is fully cured!**



\*Bond at least one of the anchors to the pools bonding-grid with 8-AWG solid copper wire according to your local code requirements. (See NEC Article 680.26)

## SAW-CUT RETROFIT & NEW CONSTRUCTION

For Saw Cut and new deck installations, we offer an anchor kit with a jig with bonding lug that provides the proper spacing of the anchors. Please order item F-2007-22. A footing that measures a minimum of 30" x 12" x 7" is required. Footing should have #4 rebar embedded a minimum of 4" into the existing slab as shown in the figure below. Proper bonding of the anchor is typically required by codes. Please check with your local codes for specifics. For more information on bonding refer to the NEC Article 680.26.

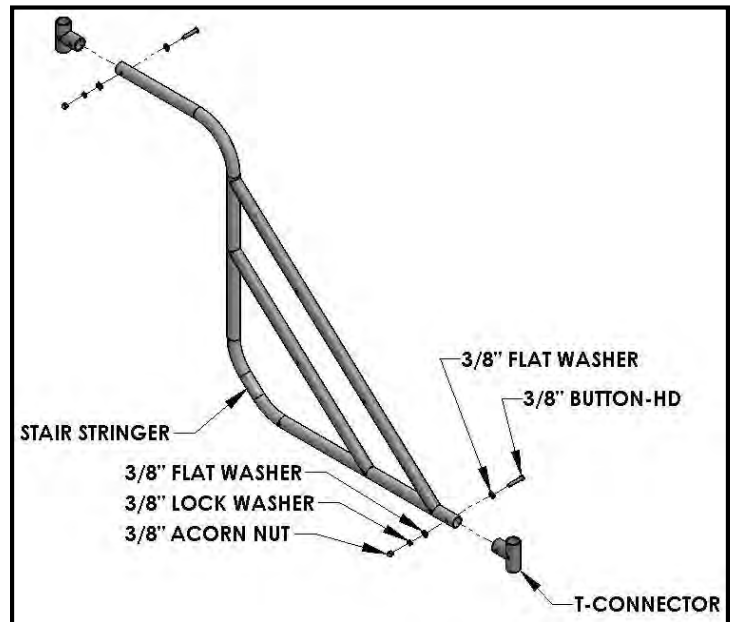




## STEP-BY-STEP ASSEMBLY

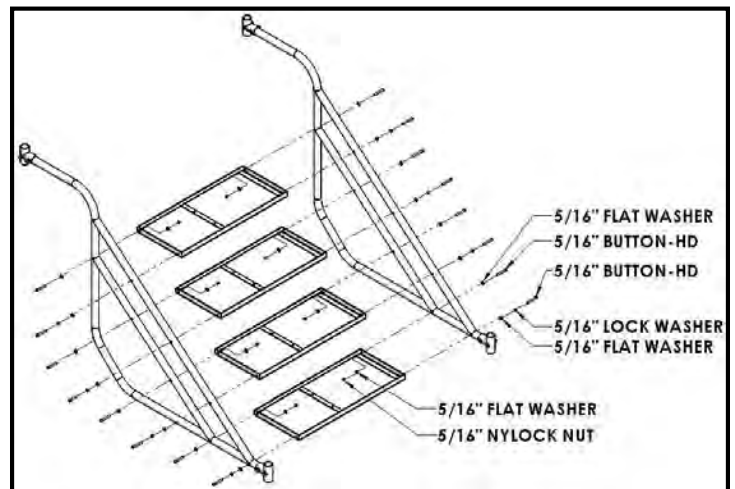
### **STEP 1: T-CONNECTORS –**

Slide T-Connector over the Stair Stringer tube and line up holes. Install one (1) 3/8" x 2-1/4" Button-Head Bolt, two (2) 3/8" Flat Washers, one (1) 3/8" Lock Washer and one (1) 3/8" Acorn Nut. Install two (2) T-Connectors per Stair Stringer.



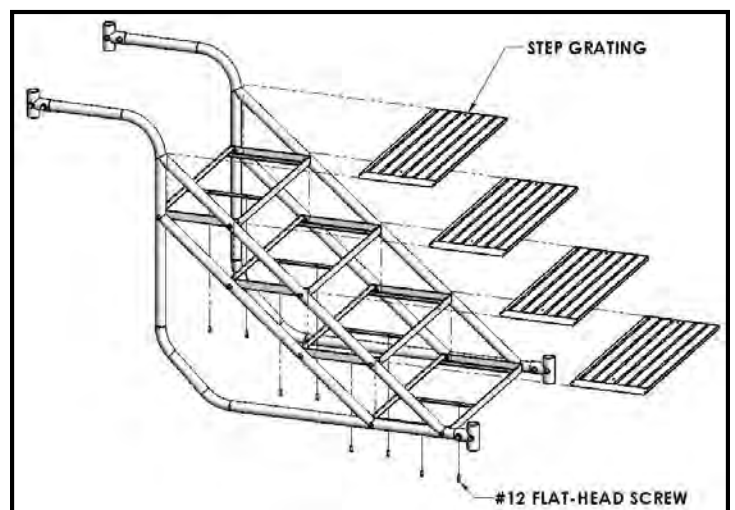
### **STEP 2: STAIR TREAD –**

Using one (1) 5/16" x 2" Button-Head Bolt, one (1) 5/16" Lock Washer and one (1) 5/16" Flat Washer connect the front of the Stair Tread to the Stair Stringer. Then using one (1) 5/16" x 2" Button-Head Bolt, two (2) 5/16" Flat Washers and one (1) 5/16" Nylock Nut connect the back of the Stair Tread to the Stair Stringer. Connect the opposite side of the Stair Tread to the other Stair Stringer to hold in place. Repeat this process for the other three (3) Stair Treads.



### **STEP 3: GRATING –**

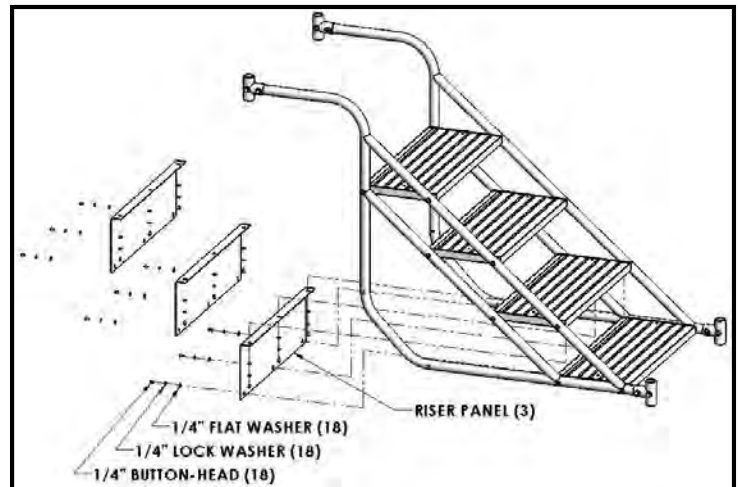
Slide back of Step Grating underneath back rail of the Stair Tread then push down on the front of the Step Grating until Grating is flush with Stair Tread weldment. Attach two (2) #12 x 1" Flat-Head Screws to bottom of Grating to secure in place.





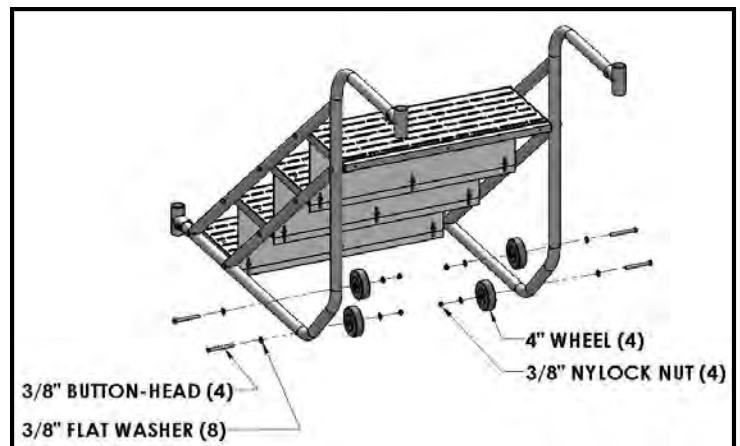
**STEP 4: RISER PANELS –**

Install the Riser Panels using six (6) 1/4" x 1/2" Button-Head Bolts, six (6) 1/4" Lock Washers and six (6) 1/4" Flat Washers per Riser Panel. Attach top of Riser Panel to the bottom front of second Stair Tread and attach bottom of Riser Panel to the back of first Stair Tread. Repeat this process to install other two (2) Riser Panels.



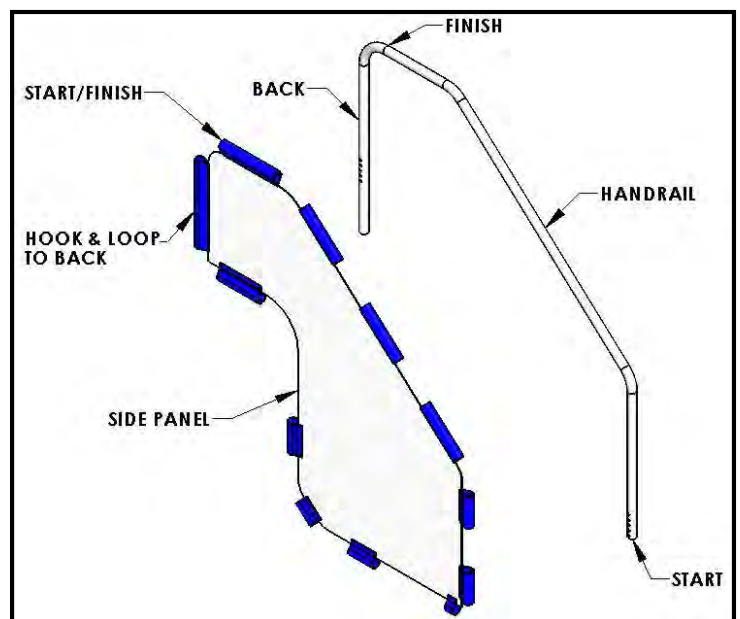
**STEP 5: WHEELS –**

Install each wheel to the inside of the Stair Stringers using one (1) 3/8" x 3-1/2" Hex Bolt, two (2) 3/8" Flat Washers and one (1) 3/8" Nylock Nut per wheel.



**STEP 6: SIDE PANELS –**

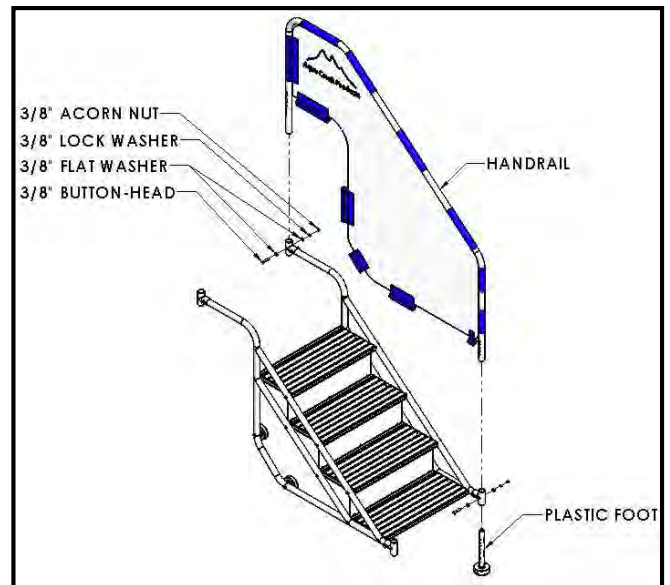
Find the "Start" of the Side Panel and slide over the "Start" of the Handrail. Continue sliding until the Start/Finish of Side Panel has reached the "Finish" spot of the Handrail. At this point the back of the Side Panel should be able to be hook & looped to the back of the Handrail.



### STEP 7: HANDRAILS –

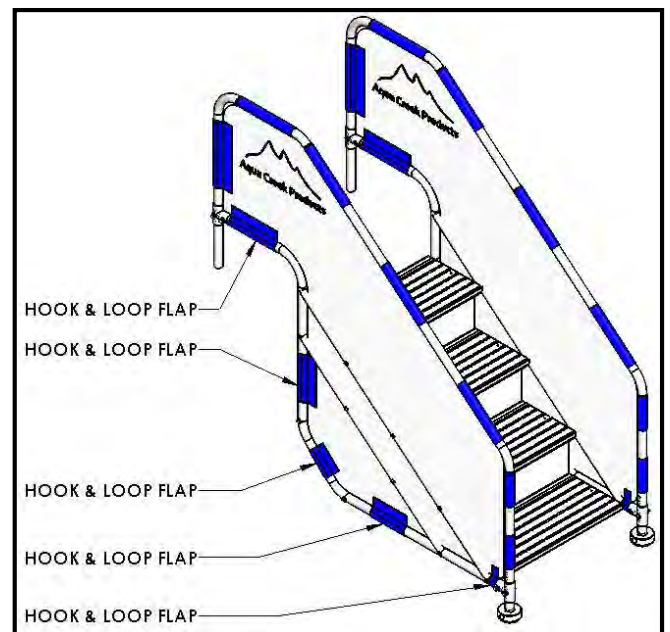
Slide Handrail tube into T-Connector and Plastic Foot into Handrail, make sure back and front of Handrail tube has been slid in the same amount of holes, and connect all three components together using one (1) 3/8" x 2-1/4" Button-Head Bolt, two (2) 3/8" Flat Washers, one (1) 3/8" Lock Washer and one (1) 3/8" Acorn Nut per connection point. Repeat this process for the second Handrail.

**\*Hint:** For 42" deep pools the plastic feet should be adjusted to the shortest hole. For 48" deep pools they should be adjusted to the highest hole.



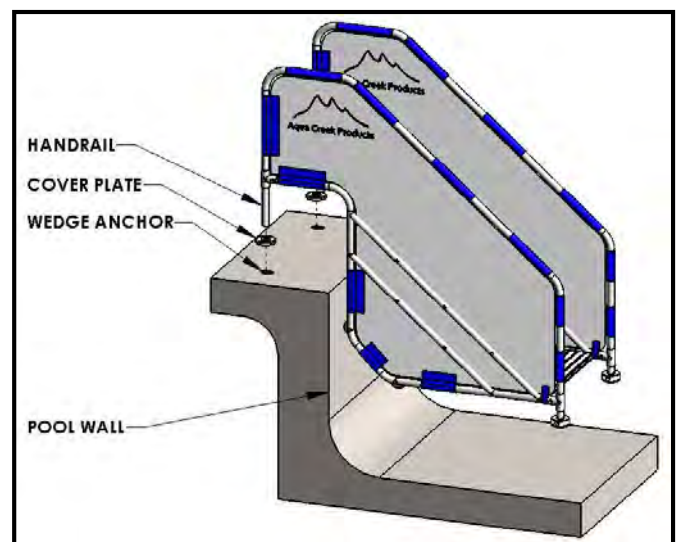
### STEP 8: SECURE SIDE PANELS –

Wrap the hook & loop flaps on the Side Panels around the Stair Stringers to secure tightly in place.



### STEP 9: ANCHORING UNIT –

Using the wheels, roll the Pool Access Steps over to and into the pool. Line up the handrail posts with the two anchor locations and the cover plates on the deck and lower until bottom of handrails sit snug against bottom of anchors.



## REMOVING & TRANSPORTING THE POOL ACCESS STEPS

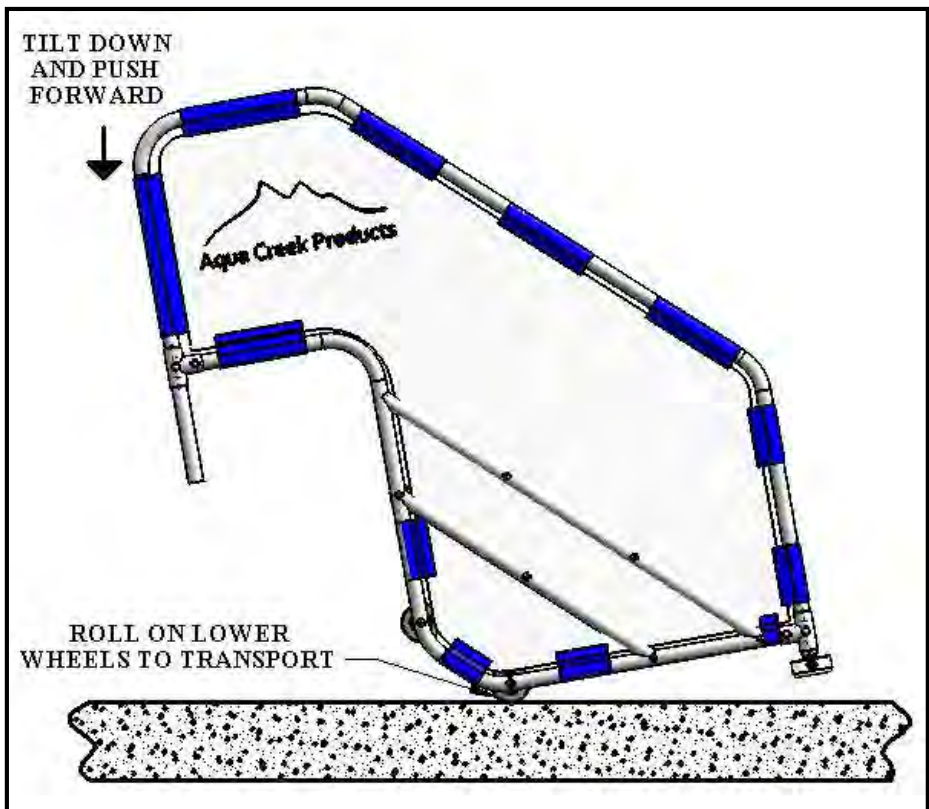
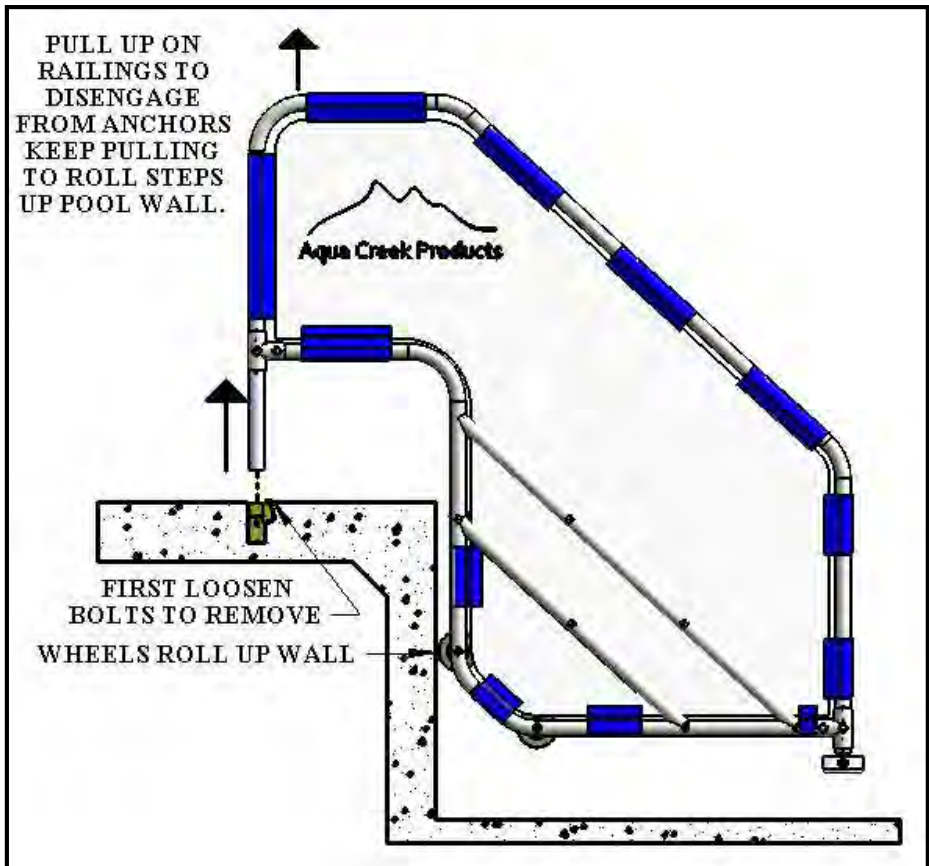
**STEP 1:** Raise the cover plates and loosen the bolts in the wedge anchors to release the handrails from the anchors.

**STEP 2:** Grasp the handrails at the top corners and pull straight up to remove the therapy steps from the anchors.

**STEP 3:** Continue pulling up, and roll the steps up the wall on the upper set of wheels.

**STEP 4:** When you get to the top of the wall roll the steps onto the deck. Tilt slightly downward until the steps are rolling on the lower set of wheels.

**STEP 5:** Roll the steps on the lower wheels to the storage area.





**AQUA CREEK PRODUCTS, LLC LIMITED TWO (2) YEAR WARRANTY:  
POOL ACCESS STEPS  
(ITEM #'s F-3T22, F-4T22, F-5T22)**

Aqua Creek Products, LLC (a.k.a. Aqua Creek) warrants to the original end user purchaser that products manufactured by Aqua Creek when properly installed in accordance with assembly and installation instructions, and properly used and maintained, shall be free from defects in material and workmanship for a period of two (2) years from the date of original purchase, provided that Aqua Creek receives prompt notice in writing of any defect or failure and satisfactory proof thereof, with the following exception(s):

Exception:

- Mesh side panels shall be warranted for one (1) year from the date of original purchase.

This warranty specifically excludes reimbursement for labor to remove, repair, or install the product and any return freight charges.

These warranties do not cover any damages due to accident, misuse, abuse, negligence or failure to properly maintain any products, or normal wear and tear from day to day operations. In the event that any products are altered, repaired, or improperly installed or improperly used by anyone without the prior written approval by Aqua Creek, all warranties are void. **IMPORTANT: AMOUNT OF WEIGHT PLACED ON LIFT SHALL NOT EXCEED THE RATED LIFTING CAPACITY FOR THE LIFT. NEVER OPERATE THE LIFT UNDER LOAD IN A DRY POOL (WITH NO WATER IN THE POOL).** It is the responsibility of the lift owner to verify the weight of the patron for warranty claim purposes and to ensure that the lift is not overloaded. Non-payment for product to Aqua Creek may void warranty.

To initiate a warranty claim, the owner of an Aqua Creek product must provide the place of purchase, in writing, with a full description of the product, its serial number, the dates of purchase and installation, and the exact nature of the defect. Within thirty (30) days after receipt of a written warranty claim by Aqua Creek, and barring any unforeseen delays, the place of purchase will be notified of Aqua Creek's decision regarding the claim.

If requested by Aqua Creek, any defective product must be returned, freight prepaid, to Aqua Creek's designated factory location or duly appointed distributor for inspection and/or repair. Aqua Creek will, at its option, repair or replace the failed or defective item, and deliver the repaired product or replacement to the buyer of the product, freight prepaid to the destination provided for in the original order. Products returned to Aqua Creek for which Aqua Creek provides replacement under this limited warranty shall become the property of Aqua Creek. A new warranty period shall NOT be established for the repaired or replaced products. Such products shall remain under warranty only for the remainder of the original warranty period on the original products purchased.

This written limited warranty constitutes the final, complete and exclusive statement of warranty terms. No person or organization is authorized to make any other specific or implied warranties or representations on behalf of Aqua Creek.

THE WARRANTIES SET FORTH HEREIN ARE IN LIEU OF ALL OTHER WARRANTIES, EXPRESSED OR IMPLIED, WHICH ARE HEREBY DISCLAIMED AND EXCLUDED, INCLUDING WITHOUT LIMITATION ANY WARRANTY OF MERCHANTABILITY OR FITNESS FOR A PARTICULAR PURPOSE OR USE.

THE SOLE AND EXCLUSIVE REMEDIES FOR BREACH OF ANY AND ALL WARRANTIES WITH RESPECT TO THE PRODUCTS SHALL BE LIMITED TO REPAIR OR REPLACEMENT AT AQUA CREEK'S DESIGNATED FACTORY LOCATION, OR DULY APPOINTED DISTRIBUTOR, OR IN PLACE AT AQUA CREEK'S OPTION. IN NO EVENT SHALL AQUA CREEK'S LIABILITY EXCEED THE ENTIRE AMOUNT PAID TO AQUA CREEK BY THE ORIGINAL PURCHASER FOR THE FAILED OR DEFECTIVE PRODUCT.

IN NO EVENT SHALL AQUA CREEK PRODUCTS, LLC BE LIABLE FOR ANY INCIDENTAL, CONSEQUENTIAL, SPECIAL, INDIRECT, PUNITIVE OR EXEMPLARY DAMAGES OR LOST PROFITS FROM ANY BREACH OF THIS LIMITED WARRANTY OR OTHERWISE.

THIS WARRANTY GIVES YOU SPECIFIC LEGAL RIGHTS AND YOU MAY ALSO HAVE OTHER RIGHTS, WHICH MAY VARY FROM STATE TO STATE. SOME STATES DO NOT ALLOW THE EXCLUSION OR LIMITATION OF INCIDENTAL, SPECIAL OR CONSEQUENTIAL DAMAGES, SO SOME OF THE ABOVE LIMITATIONS OR EXCLUSIONS MAY NOT APPLY TO YOU.

Aqua Creek Products, LLC  
9889 Garrymore Lane  
Missoula, MT 59808  
Toll Free: (888) 687-3552  
Local/Intl: (406) 549-0769  
www.aquacreek.com