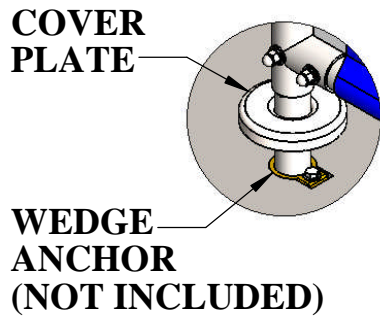


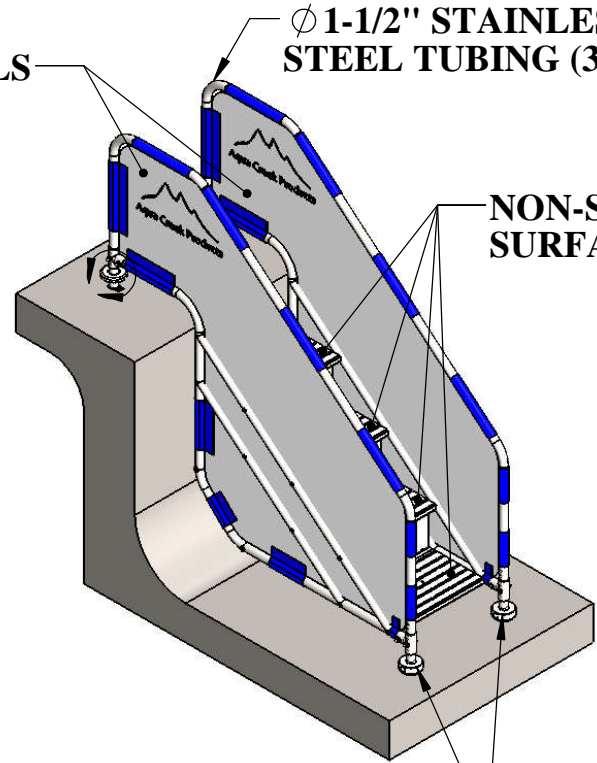
POOL ACCESS STEPS (4-STEP)



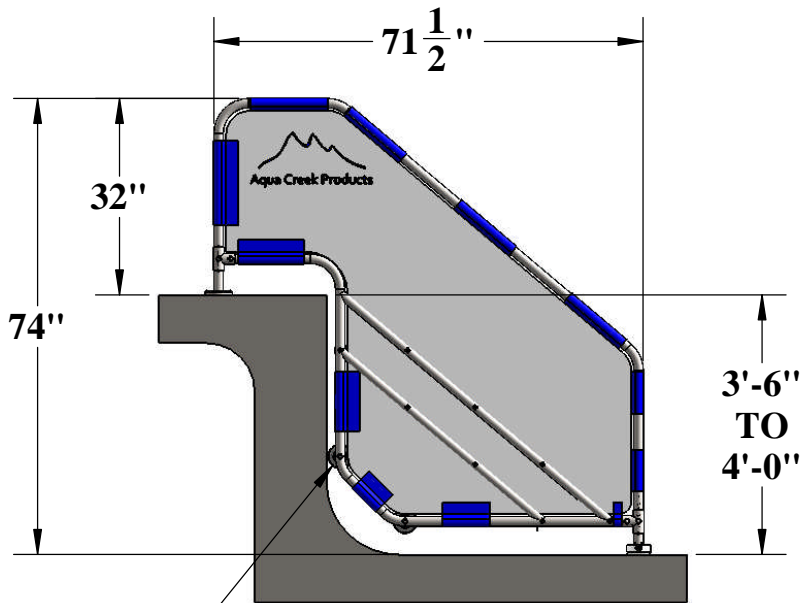
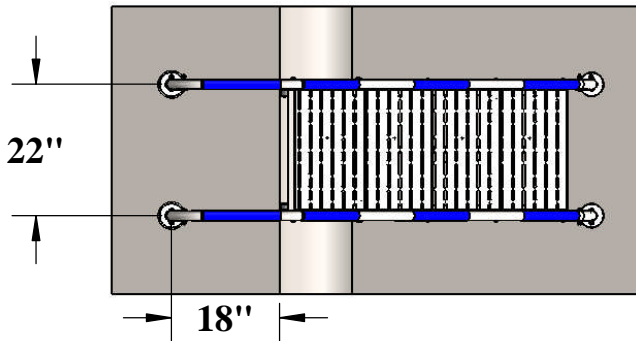
SAFETY SIDE-PANELS

Ø 1-1/2" STAINLESS-STEEL TUBING (304)

NON-SLIP SURFACE

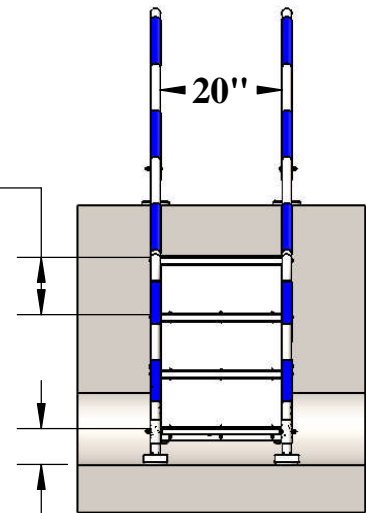


ADJUSTABLE PLASTIC-FEET



Ø 4" WHEELS (4) (FOR TRANSPORT)

9 $\frac{1}{2}$ " TYP



ADJUSTABLE



9889 GARRYMORE LANE
 MISSOULA, MT 59808
 (406) 549-0769
 FAX (406) 549-2602

NOTE:
 *SPECIFICATIONS ARE SUBJECT TO CHANGE WITHOUT NOTICE

PRODUCT:	F-4T22	
DWG #:	F-4T22-1	
SCALE:	1:32	DATE: 6/15/15
DRAWN BY:	KR	REVISION: D

POOL ACCESS STEPS (4-STEP)

SPECIFICATIONS:

FRAME MATERIAL: TYPE 316 STAINLESS STEEL

FINISH: EPOXY POWDER COAT, OFF-WHITE

SAFETY SIDE-PANELS: HEAVY-DUTY POLYESTER FABRIC

HANDRAIL SIZE: ϕ 1-1/2" OD (OUTSIDE DIAMETER)

POOL DEPTH RANGE: 42" TO 48" [3'-6" TO 4'-0"]

RISER HEIGHT: 9-1/2" (TOP FOUR STEPS EQUAL, LAST STEP ADJUSTABLE)

ANCHORS: BRONZE, ϕ 1.5" ID x 4" DEEP, WEDGE TYPE (NOT INCLUDED)

ANCHOR SPACING: 32" APART, 18" FROM POOL WALL (SETBACK)

WHEELS: FOUR (4) 4" DIAMETER x 1-1/2" WHEELS, PLASTIC

STEP TREADS: POLYPROPYLENE, NON-SLIP SURFACE

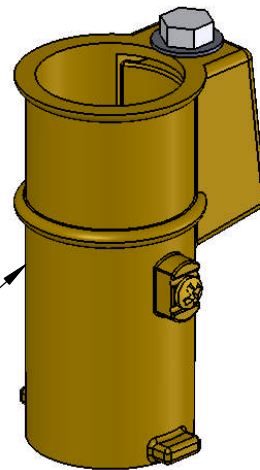
RISER PANELS & FEET: HIGH-DENSITY POLYETHYLENE (HDPE)

DIMENSIONS: 71-1/2" x 24" x 74" (L x W x H), RAIL HEIGHT 32"

WEIGHT: 140 LBS

WEIGHT CAPACITY: 400 LBS

**4" WEDGE ANCHOR ASSEMBLY
(SOLD SEPARATELY)**



9889 GARRYMORE LANE
MISSOULA, MT 59808
(406) 549-0769
FAX (406) 549-2602

NOTE:
*SPECIFICATIONS ARE SUBJECT TO CHANGE WITHOUT NOTICE

PRODUCT:	F-4T22	
DWG #:	F-4T22-2	
SCALE:	1:2	DATE: 6/15/15
DRAWN BY:	KR	REVISION: D