



INSTALLATION AND OPERATION MANUAL

English | Français | Español

Jandy® Pro Series JE Heat Pump



WARNING

FOR YOUR SAFETY - This product must be installed by a licensed HVAC technician certified in heat pump repair and maintenance by the jurisdiction in which the product will be installed where such state or local requirements exist. The technician must possess and comply with all certifications and regulations regarding the purchasing, handling, transportation and reclamation of R410A refrigerant. In the event no such state or local requirement exists, the installer or maintainer must be a professional with sufficient experience in pool equipment installation and maintenance so that all of the instructions in this manual can be followed exactly. Before installing this product, read and follow all warning notices and instructions that accompany this product. Failure to follow warning notices and instructions may result in property damage, personal injury, or death. Improper installation and/or operation can create an electrical hazard which can cause serious injury, property damage, or death. Improper installation and/or operation will void the warranty.

Table of Contents

Section 1. General Information	3	5.3	Operating Features of Hybrid Units with Optional Chiller	19	
1.1	Introduction	3	5.4	User Setup Options	20
1.2	Consumer Information and Safety	3	5.5	Set Point Lockout.....	21
1.3	Warranty	4	5.6	Water Pressure Switch Adjustment.....	21
1.4	Codes and Standards	4	Section 6. General Maintenance	21	
1.5	Technical Assistance.....	4	6.1	Water Chemistry	21
1.6	Materials Needed For Installation	4	6.2	Winterizing	22
1.7	Specifications.....	5	6.3	Spring Start-Up	22
Section 2. Installation Instructions	5	6.4	Inspection and Service	22	
2.1	General Information	5	Section 7. Professional Maintenance and Service	23	
2.2	Location Requirements.....	5	7.1	Heat Pump Design.....	23
Section 3. Water Connections	8	7.2	Heat Pump Components and Operation.....	23	
3.1	Plumbing Layout	8	Section 8. Troubleshooting	25	
3.2	Water Connections at Heat Pump	8	8.1	Troubleshooting Guide.....	25
3.3	Check Valve Installation.....	8	8.2	Diagnostics	25
3.4	Multiple Unit Installation.....	9	Section 9. Replacement Parts	26	
Section 4. Electrical Connections	9	9.1	Ordering Information.....	26	
4.1	General Information	9	9.2	Zodiac JE Heat Pumps Parts List.....	26
4.2	Main Power	10	9.3	Zodiac JE1500 Heat Pumps Exploded View ...	27
4.3	Bonding.....	15	9.4	Zodiac JE2000 Heat Pumps Exploded View ...	28
4.4	Optional Remote Controls	15	9.5	Zodiac JE Single Phase Electric Box.....	29
Section 5. Operation.....	18	9.6	Zodiac JE Three Phase Electric Box	29	
5.1	Initial Start-up Precautions.....	18			
5.2	Operating the Controller	18			

Figures and Tables

Figure 1.	Zodiac® JE Heat Pumps Dimensions	7	Figure 14.	Main Control Panel	20
Figure 2.	Anchor Clamp Positions.....	9	Figure 15.	Winterizing the JE Heat Pump	22
Figure 3.	Anchor Clamp Installation	9	Figure 16.	Zodiac JE1500 Heat Pumps Exploded View (JE1500 Shown).....	27
Figure 4.	Standard Plumbing Layout.....	11	Figure 17.	Zodiac JE2000 Heat Pumps Exploded View (JE2000 Shown).....	28
Figure 5.	Plumbing For Heating System Combinations	11	Figure 18.	Zodiac JE Heat Pump Single Phase Electric Box	29
Figure 6.	Two (2) Heat Pump Plumbing Layout	12	Figure 19.	Zodiac JE Heat Pump Three Phase Electric Box	29
Figure 7.	Four (4) Heat Pump Plumbing Layout	12	Table 1.	JE Heat Pump Technical Specifications	6
Figure 8.	JE Single-Phase Electrical Supply Wiring Diagram	13	Table 2.	Heat Pump Clearances	7
Figure 9.	JE 3-Phase Electrical Supply Wiring Diagram	14	Table 3.	Optimal Water Chemistry Ranges.....	23
Figure 10.	JE Heat Pump Front View.....	15	Table 4.	Heat Pump Troubleshooting Guide.....	24
Figure 11a.	Remote Pool-Off-Spa Connection (3-Wire Connection).....	16	Table 5.	Heat Pump Diagnostics	25
Figure 11b.	AquaLink RS or Remote TSTAT Connection (2-Wire Connection).....	16			
Figure 12.	AquaLink® RS to JE Heat Pump	17			
Figure 13.	JE Heat Pump Connection to Power Center	18			

Section 1. General Information

1.1 Introduction

This manual provides installation and operation instructions for the Jandy Pro Series JE models of heat pumps. Read these installation and operation instructions completely before proceeding with the installation. Consult Zodiac Pool Systems, Inc. (“Zodiac”) with any questions regarding this equipment. To obtain additional copies of this manual contact us at 800-822-7933.

Zodiac Pool Systems, Inc.
2620 Commerce Way
Vista, CA 92081 USA

The Jandy Pro Series JE heat pump gets electrical power from an external source and provides a dual digital thermostat control system for pool/spa combinations or preheat convenience.

This heat pump is specifically designed for heating fresh water swimming pools and spas. Do not use it as a general service heater. Consult your dealer for the appropriate Zodiac® products for these applications.

NOTE “Fresh water swimming pools and spas” include systems that utilize saltwater chlorine generator units, such as the Zodiac AquaPure® Electronic Chlorine Generator. Please ensure that the salt content of the pool/spa *does not exceed* 4500 ppm and water flow rate is within 30-70 gpm (110-265 lpm).

ATTENTION

Installation and service must be performed by a qualified installer or service agency.

To the Installer:



After installation, these instructions must be given to the homeowner or left on or near the heat pump.

To the User:

This manual contains important information that will help you in operating and maintaining this heat pump. Please retain it for future reference.

1.2 Consumer Information and Safety

The Jandy Pro Series JE series of heat pumps are designed and manufactured to provide many years of safe and reliable service when installed, operated and maintained according to the information in this manual and the installation codes referred to in later sections. Throughout the manual, safety warnings and cautions are identified by the “⚠” symbol. Be sure to read and comply with all of the warnings and cautions.

Spa/Hot Tub Safety Rules

⚠ WARNING

The U.S. Consumer Product Safety Commission warns that elevated water temperature can be hazardous. Consult heater operation and installation instructions for water temperature guidelines before setting temperature.

⚠ WARNING

The following “Safety Rules for Hot Tubs,” recommended by the U.S. Consumer Product Safety Commission, should be observed when using the spa.

⚠ WARNING

Spa or hot tub water temperature should never exceed 104°F (40°C). One hundred degrees Fahrenheit (100°F [38°C]) is considered safe for a healthy adult. Special caution is recommended for young children.

⚠ WARNING

The drinking of alcoholic beverages before or during spa or hot tub use can cause drowsiness which could lead to unconsciousness, and subsequently result in drowning.

⚠ WARNING

Pregnant women take note! Soaking in water above 102°F (38.5°C) can cause fetal damage during the first three (3) months of pregnancy (which could result in the birth of a brain-damaged or deformed child). If pregnant women are going to use a spa or hot tub, they should make sure the water temperature is below 100°F (38°C) maximum.

⚠ WARNING

The water temperature should always be checked with an accurate thermometer before entering a spa or hot tub. Temperature controls may vary by as much as 1F° (1°C).

⚠ WARNING

Persons with a medical history of heart disease, diabetes, circulatory or blood pressure problems should consult their physician before using a hot tub or spa.

⚠ WARNING

Persons taking any medication which induces drowsiness (e.g., tranquilizers, antihistamines, or anticoagulants) should not use spas or hot tubs.

⚠ WARNING

Prolonged immersion in hot water can induce hyperthermia.

⚠ WARNING

Hyperthermia occurs when the internal body temperature reaches a level several degrees above the normal body temperature of 98.6°F (37°C). Symptoms include dizziness, fainting, drowsiness, lethargy, and an increase in the internal body temperature. The effects of hyperthermia include:

- Lack of awareness of impending hazard
- Failure to perceive heat
- Failure to recognize need to leave spa
- Physical inability to leave spa
- Fetal damage in pregnant women
- Unconsciousness resulting in a danger of drowning

Swimming Pool Energy Saving Tips

It is important to note that a heat pump will not heat a pool as fast as a large gas or electric pool heater. If the pool water is allowed to cool significantly, it may take several days to return to the desired swimming temperature. For weekend use, it is *more economical* to maintain the pool water temperature at or near your desired swimming temperature. If you do *not* plan to use your pool for a prolonged period, then you might choose to turn the heat pump completely off *or* decrease the temperature setting of the control several degrees to minimize energy consumption.

Zodiac offers the following recommendations to help conserve energy and minimize the cost of operating your heat pump without sacrificing comfort.

1. The American Red Cross recommends a maximum water temperature of 78°F (25°C). Use an accurate pool thermometer. A difference of 4°F (2°C), between 78°F and 82°F (26°C and 28°C), will significantly increase energy consumption.
2. Carefully monitor the water temperature of your pool in the summertime. You can reduce heat pump usage due to warmer air temperatures.
3. During the winter or when on vacation for longer than a week, turn off the heat pump.
4. Find the proper setting on the heat pump temperature control and use the Set Point Lockout or lock the cover on the heat pump controller to discourage further adjustments.
5. Set the pump time clock to start the pump no earlier than 6:00 AM during the pool heating season. This is the time when nightly heat loss balances.
6. Where possible, shelter the pool from prevailing winds with well-trimmed hedges or other landscaping, cabanas, or fencing.

7. The use of an automatic pool cover, if installed, provides a valuable safety feature, reduces heat loss, conserves chemicals, and reduces the load on filtration systems..
8. The use of a solar blanket can reduce the heat loss caused by evaporation on the surface area of the pool.

1.3 Warranty

The Jandy Pro Series JE heat pump is sold with a limited factory warranty.

Make all warranty claims to your Zodiac® dealer or directly to Zodiac. Claims must include the heat pump serial number and model (this information can be found on the rating plate), installation date, and name of the installer. Shipping costs are not included in the warranty coverage.

The warranty does not cover damage caused by improper assembly, installation, operation, winterizing, field modification, or failure to earth bond and properly ground the unit. Any changes to the heat pump, evaporator, heat exchanger, wiring, or improper installation may void the warranty.

1.4 Codes and Standards

The Jandy Pro Series JE heat pump is listed by ETL® as complying with the latest edition of the “UL Standard for Safety for Heating and Cooling Equipment”, UL 1995 and CSA C22.2 No. 236.

All Zodiac heat pumps must be installed in accordance with the local building and installation codes as per the utility or authority having jurisdiction. All local codes take precedence over national codes. In the absence of local codes, refer to the latest edition of the National Electrical Code® (NEC®) in the United States and the Canadian Electrical Code (CEC®) in Canada for installation.

1.5 Technical Assistance

Consult the Zodiac technical support department or your local Zodiac dealer with any questions or problems involving your Zodiac equipment. An experienced technical support staff is ready to assist you in assuring the proper performance and application of Zodiac products. For technical support call the Zodiac technical support department at (800) 822-7933.

1.6 Materials Needed For Installation

The following items are needed and are to be supplied by the installer for *all* heat pump installations:

1. Plumbing connections (2”).
2. Level surface for proper drainage. (See equipment pad for pitch requirements)
3. Suitable electrical supply line. See rating plate on unit for electrical specifications. A junction box is

not needed at the heat pump; connections are made inside of the heat pump electrical compartment. Conduit may be attached directly to the heat pump jacket.

- NOTE** Flex conduit is recommended for connecting the electrical supply wires to the heat pump so that the front panel may be removed easily for servicing.
4. Electric cutout switch that will interrupt all power to the unit. This switch *must* be within line of sight of the heat pump.
 5. Watertight conduit to run the electrical supply line.

Recommended: Zodiac recommends installing isolation valves on the inlet and outlet water connections for ease of serviceability.

1.7 Specifications

Suitable for indoor and outdoor use. Clearances shown in Table 2 must be adhered to.

Water Pipe/Heater Connection

Plastic 2" PVC (Unions included)

Flow Rate

Maximum	70 gpm (265 lpm)
Optimum	60 gpm (230 lpm)
Minimum	20 gpm (76 lpm)

Maximum Working Water Pressure

75 psi

Electrical Supply

Voltage Requirements	
1-Phase	230 VAC 60Hz
3-Phase	230 VAC 60Hz (Model dependent)

Maximum Working Refrigerant Pressure

600 PSI

Dimensions

See Figure 1 for heat pump’s dimensions and for dimensions to critical connections.

Technical Specifications

See Table 1 for the Jandy Pro Series JE heat pump technical specifications.

Section 2. Installation Instructions

2.1 General Information

Install the Zodiac® heat pumps in accordance with the procedures in this manual, local codes and ordinances, and in accordance with the latest edition of the appropriate national code. (See Section 1.4, “Codes and Standards”.) Correct installation is required to assure safe operation. The requirements for Zodiac heat pumps

include the following:

1. Field assembly (if required).
2. Appropriate site location and clearances.
3. Sufficient air ventilation.
4. Proper electrical wiring.
5. Adequate water flow.

This manual provides the information needed to meet these requirements. Review all application and installation procedures completely before continuing the installation.

2.2 Location Requirements

NOTE Indoor installations require special considerations for condensate drainage and venting the cold air produced by the heat pump. Contact the Zodiac technical support department at (800) 822-7933.

⚠ CAUTION

When pool equipment is located below the pool surface, a leak from any component can cause large scale water loss or flooding. Zodiac cannot be responsible for such water loss or flooding or resulting damage.

Avoid placing the heat pump in locations where it can cause damage by water or condensate leakage. If this is not possible, provide a suitable drain pan to catch and divert any leakage.

All criteria given in the following sections reflect minimum clearances. However, each installation must also be evaluated, taking into account the prevailing local conditions such as proximity and height of walls, and proximity to public access areas.

Clearances

The heat pump must be placed to provide clearances on all sides for maintenance and inspection. See Table 2. Access in front of the heat pump of 24” (60 cm) provides adequate room for serviceability.

If the heat pump is to be installed in a garage or under a vertical overhang, the unit must have a minimum of 5 feet (1.5 meters) clearance from the top of the heat pump.

In the U.S., the heat pump must be installed at least 5 feet (1.5 meters) from the inside wall of the pool or spa unless the

Table 1. Jandy Pro Series JE Heat Pump Technical Specifications

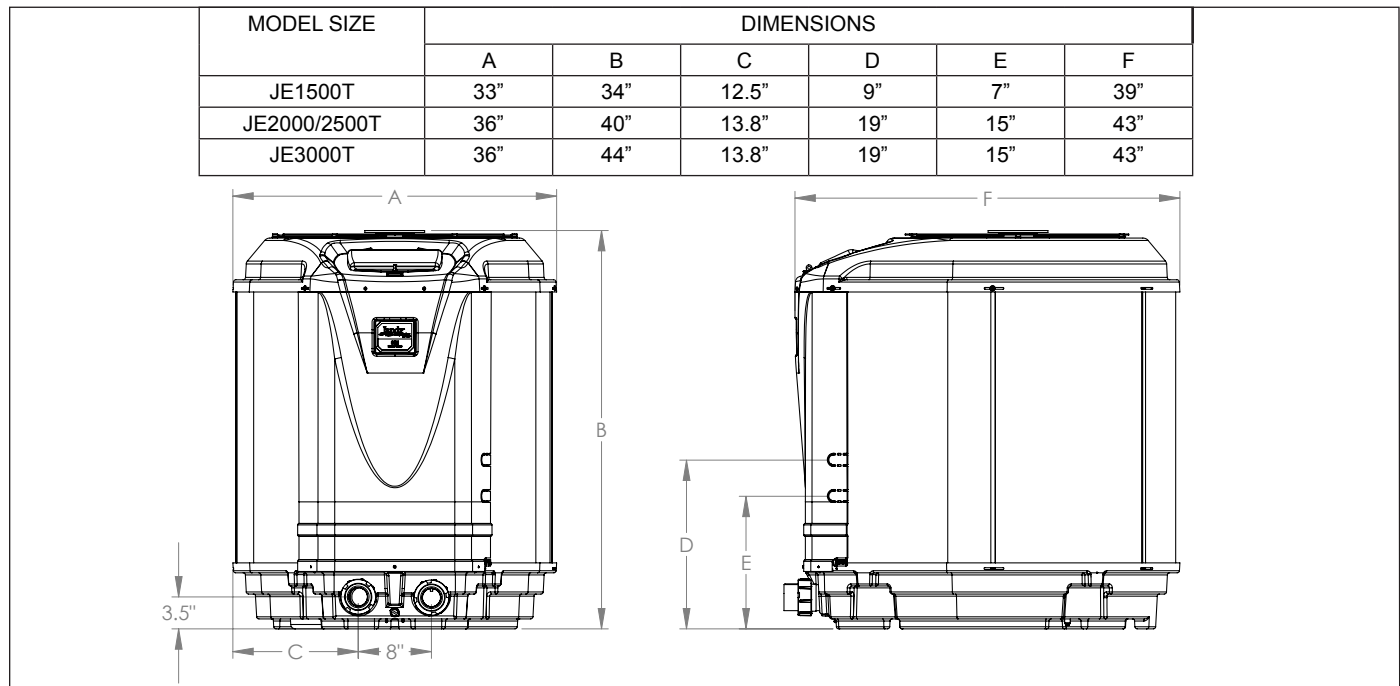
MODEL	JE1500T	JE2000T	JE2500T	JE2500T-3	JE3000T	JE3000TR	JE3000T3	JE3000TR3
VOLTAGE	230V/60HZ	230V/60HZ	230V/60HZ	208/230V/60HZ/3	230V/60HZ	230V/60HZ	208/230V/60HZ/3	
OUTPUT*	72,000 BTUs	108,000 BTUs	119,000 BTUs	137,000 BTUs	137,000 BTUs	137,000 BTUs	137,000 BTUs	
INPUT*	3.83 kW	5.03 kW	5.34 kW	6.37 kW	6.37 kW	6.37 kW	6.37 kW	
COP*	5.5	6	6.2	6.3	6.3	6.3	6.3	
OUTPUT, STANDARD RATING CONDITIONS**	67,000 BTUs	92,000 BTUs	106,000 BTUs	127,000 BTUs	127,000 BTUs	127,000 BTUs	127,000 BTUs	
COP, STANDARD RATING CONDITIONS**	5.2	5.7	5.6	5.9	5.9	5.9	5.9	
OUTPUT, LOW AMBIENT**	46,000 BTUs	64,000 BTUs	74,000 BTUs	86,000 BTUs	86,000 BTUs	86,000 BTUs	86,000 BTUs	
COP, LOW AMBIENT**	4.0	4.0	4.0	4.2	4.2	4.2	4.2	
RLA (RUNNING LOAD AMPS)	19.87A	30.77A	32.05A	23.21A	32.05A	32.05A	25.00A	
LRA (LOCKED ROTOR AMPS)	105A	178A	148A	164A	185A	185A	164A	
MINIMUM CIRCUIT AMPACITY	26.14A	40.21A	41.81A	30.76A	41.81A	41.81A	33.0A	
MAX OVER CURRENT PROTECTION***	45A	60A	60A	45A	60A	60A	50A	
HEAT EXCHANGER	Titanium							
COMPRESSOR	Reciprocating	Scroll	Scroll	Scroll	Scroll	Scroll	Scroll	
CABINET	ABS							
REFRIGERANT	64 Oz. R410A	78 Oz. R410A	78 Oz. R410A	78 Oz. R410A	118 Oz. R410A	126 Oz. R410A	118 Oz. R410A	126 Oz. R410A
REFRIGERANT HIGH PRESSURE ALARM	600 PSI (reset to 460 PSI)							
REFRIGERANT LOW PRESSURE ALARM - HEATING UNITS	58 PSI (reset to 127 PSI)							
REFRIGERANT LOW PRESSURE ALARM - REVERSE UNITS	35 PSI (reset to 74 PSI)							
LOW WATER FLOW ALARM	20 GPM							
MAXIMUM HEIGHT BELOW WATER LEVEL	10 feet below pool level							
MINIMUM HEIGHT ABOVE WATER LEVEL	5 feet above pool level							
OPTIMAL WATER FLOW	30 GPM	42 GPM	48 GPM	48 GPM	57 GPM	57 GPM	57 GPM	
MINIMUM WATER FLOW	20 GPM							
MAXIMUM WATER FLOW	70 GPM							
AIR FLOW	3600 CFM							
WATER TEMPERATURE DIFFERENTIAL (DELTA T)	Adjustable between 1°F to 5°F							
UNION SIZE	2"							
WEIGHT	175 lbs	220 lbs	223 lbs	223 lbs	228 lbs	230 lbs	228 lbs	230 lbs

* Test Conditions: 80° F Air, 80% RH, 80° F Water, Outside the scope of AHRI Standard 1160 (I-P)

** Rated in accordance with AHRI Standard 1160 (I-P)

*** Max Over Current Protection refers to the maximum breaker size allowed. If this value is not a standard breaker size, use the next smallest standard size breaker. The breaker size must not be smaller than the Minimum Circuit Ampacity value.

Figure 1. Jandy Pro Series JE Heat Pumps Dimensions



heat pump is separated from the pool or spa by a 5 foot (1.5 meters) high solid fence or other permanent barrier. In Canadian installations, the minimum distance to be maintained from the inside wall of the pool or spa is 3 meters (approx. 10 feet).

Equipment Pad

Place the heat pump on a flat slightly pitched surface, such as a concrete or fabricated slab (pad). This allows proper drainage of condensation and rain water from the base of the unit. If possible, the pad should be placed at the same level or slightly higher than the filter system equipment pad.

NOTE Ensure that the pad is pitched not more than ¼ inch per foot cm per toward the compressor end (front) of the heat pump. Pitch slab from back to front ¼ inch per foot maximum and level from side to side.

Condensation and Drainage

Condensation will occur from the evaporator coil while the unit is running and drain at a steady rate, usually 3 to 5 gallons (11.4 to 18.9 liters) per hour, depending upon ambient air temperature and humidity. The more humid the ambient conditions, the more condensation will be produced. Keep the drain holes of the base of the unit clear of debris.

If the heat pump is installed indoors*, means of condensate disposal must be provided

* Indoor installation requires factory consultation

Lawn Sprinklers

Keep lawn sprinkler heads from spraying on the heat pump to prevent corrosion and damage. Use a deflector

Table 2. Heat Pump Clearances

Side of Heat pump	Minimum Clearances for Operation		Recommended Clearances for Serviceability	
	Inches	Centimeters	Inches	Centimeters
Front	24	60	36	90
Rear	12	30	24	60
Left	12	30	24	60
Right	12	30	24	60
Top	60	150	60	150

NOTE: Clearances listed in Table 2 are manufacturer's tested values. These are given as minimum values. Where local and national codes apply, and values are different than those listed in Table 2, use the greater value to ensure safe and proper operation.

if needed.

Roof Run-off

Make sure the heat pump is not located where large amounts of water may run-off from a roof into the unit. Sharp sloping roofs without gutters will allow massive amounts of rain water, mixed with debris from the roof to be forced through the unit. A gutter or down spout may be needed to protect the heat pump.

Installation of Anchor Clamps

In Florida, building codes require that the heat pump be anchored to the equipment pad or platform to withstand high wind pressures created during hurricanes. Other jurisdictions may have similar requirements. Please check your local codes for further details.

This heat pump is provided with anchor clamps designed to hold the unit to the equipment pad in high wind conditions. Installation of the anchor clamps is recommended in all installations and are required in Florida (reference Florida Building Code, Mechanical Section 301.13).

To install the anchor clamps:

1. Be sure that the heat pump is in its permanent location on the equipment pad.
2. Place the clamps at the base of the heat pump in the locations indicated in Figure 2.
3. Fit the hook of each clamp over the lip on the base panel of the heat pump. The hook should fit between the lip of the base panel and the evaporator coil guard (see Figure 3).
4. Mark the position of the hole in each clamp on the equipment pad.
5. Drill a hole in the cement using a masonry drill bit, with a diameter as determined by the concrete anchor, at each of the marks on the equipment pad. The hole should be approximately 1-3/4" deep.
6. Insert a bolt anchor into each of the holes. Be sure the anchors are set completely into the holes.
7. Position the anchor clamps so that the holes in the clamps are over the bolt anchors. Be sure that the clamp hooks are over the lip of the heat pump base (see Figure 3).
8. Insert an anchor bolt through each clamp into the anchor and tighten to secure the clamp and heat pump to the equipment pad.

Section 3. Water Connections

3.1 Plumbing Layout

Figure 4 illustrates the standard plumbing layout with a single heat pump unit. Following the diagram from right to left, the plumbing sequence is as follows:

Pool > Pool Pump > Filter > Heat Pump > Check Valve > Chemical Loop > Chlorinator > Pool

NOTE For normal installations, do not install a shutoff valve or any kind of variable restriction in the water piping between the heat pump outlet and the pool/spa.

Arrangement of pool system components other than as illustrated in the preceding and following diagrams can affect the operation of the heat pump's water pressure switch. Location of the heat pump above or below the pool water surface can also affect operation of the switch. In general, the pressure switch can be adjusted to accommodate this effect if the heat pump water connections are no more than 10 feet below the pool water surface or no more than 5 feet above it. See instructions for pressure switch adjustment (Section 5.6) in the heat pump start-up section of this manual for more information. If the heat pump is installed outside of this range, an external flow switch may need to be installed in the plumbing upstream of the heat pump. Call the Zodiac technical support department at

(800) 822-7933 for details.

Be advised that when pool equipment is located below the pool surface a leak can result in large scale water loss or flooding. Zodiac cannot be responsible for such water loss or flooding or the damage caused by either occurrence.

3.2 Water Connections at Heat Pump

Shipping plugs have been installed in the water inlet and outlet ports of the heat pump at the factory. Before installing any plumbing, remove the shipping plugs. Filtered water is plumbed to the inlet, located on the right side of the heat pump front panel. Heated water flows through the outlet, located on the left side of the heat pump front. Two inch unions are provided. Plastic piping (PVC Schedule 40) should be connected to the heat pump. The unions, provided with the unit, accept 2" PVC pipe.

CAUTION

Make sure that flow requirements and pool water turn over rates can be maintained with the installation of additional heat pumps and plumbing restrictions.

3.3 Check Valve Installation

WARNING

A check valve can interfere with the proper operation of certain Suction Vacuum Release System (SVRS) products. To avoid possible entrapment hazard, serious injury, or death, make sure to review the operation/owners manual of your particular SVRS product before installing the check valve.

The heat pump must be protected from back-siphoning of water. If there is any chance of back-siphoning, provide a check valve between the pool and the filter pump inlet.

When an automatic chemical feeder is installed in the plumbing, it must be installed downstream of the heat pump. A check valve must be installed between the heat pump and the chemical feeder to prevent back-siphoning of chemically saturated water into the heat

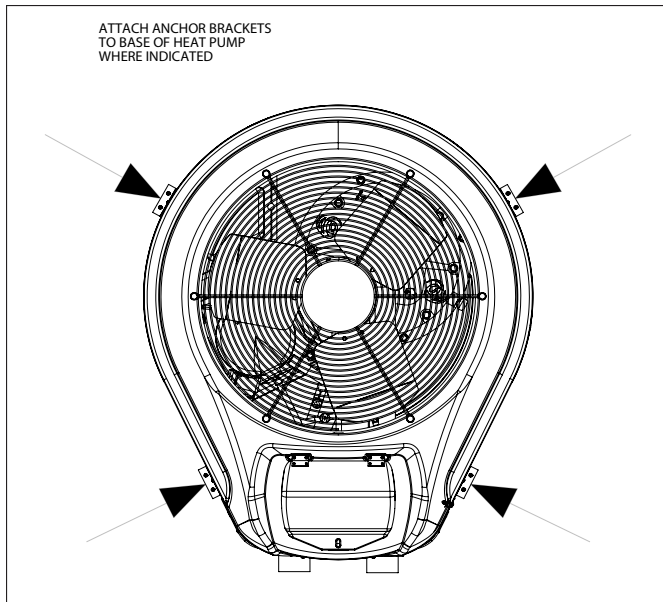


Figure 2. Anchor Clamp Positions

pump where it will damage the components.

3.4 Multiple Unit Installation

Heat Pump and Heater Combination

In certain regions of the country it may be more economical to run a heat pump during the warmer months and a gas heater during the cooler months. In some situations it may be desirable to run the heat pump in the “Chiller” mode during the hottest portion of the year and a heater during the cooler months.

The Zodiac® heat pump may be plumbed with a gas or electric heater or any combination of heat sources including solar. All heat sources must be plumbed in series to work correctly and efficiently.

Figure 5 illustrates a recommended plumbing layout for a heat pump / heater / solar combination heating system for a pool / spa combination. Your system may not contain all of these components, but the basic plumbing will apply by eliminating the component in the illustration that is not a part of your system.

Multiple Heat Pump Connections

All plumbing on multiple heat pump installations must be done in parallel (see Figures 6 and 7). An equal flow of water to each heat pump is important for optimum operation.

NOTE It may be necessary to adjust water pressure switch if a unit is installed below the water level. See Section 5.6 for details on when and how to adjust the pressure switch.

NOTE Each heat pump allows a maximum flow rate of 70 gpm (265 lpm) and requires a minimum of 20 gpm (76 lpm).

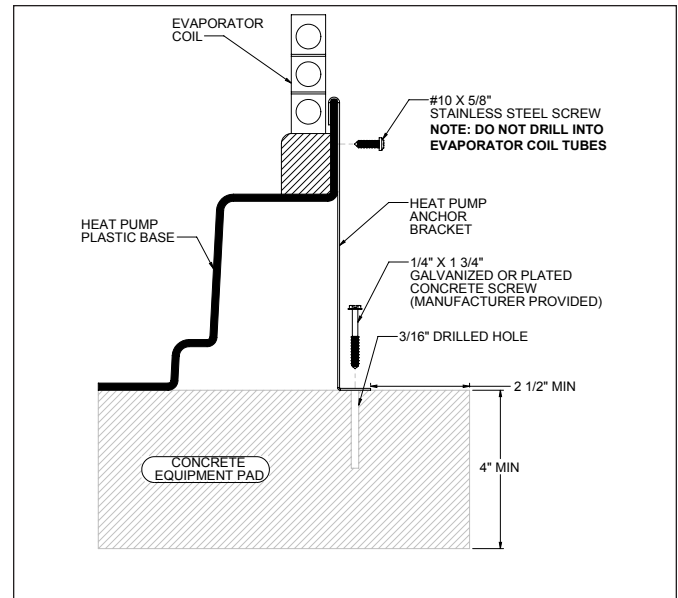


Figure 3. Anchor Clamp Installation

Section 4. Electrical Connections

4.1 General Information

Wiring connections must be made exactly as shown in the wiring diagram found on the inside of the heat pump access compartment (see Figure 8 for single phase electrical wiring and Figure 9 for 3-phase electrical wiring). The heat pump must include a definite means of grounding and bonding. There is a bonding lug on the right side of the heat pump, where a bond wire must be attached.

4.2 Main Power

Electrical wiring to the heat pump must be in accordance with the latest edition of the National Electric Code® (NEC®), ANSI/National Fire Protection Association (NFPA 70®) in the United States, and in Canada, the Canadian Electrical Code (CSA® C22.1), unless local code requirements indicate otherwise.

The heat pumps come factory-wired intended for use with either 230 VAC, 60 Hz single phase or 3 phase field electrical supply depending on the model. See the rating plate for the electrical specifications. All wiring must be done by a certified electrician.

The following is the procedure to wire the Jandy Pro Series JE heat pump to the electrical source specified on the Rating Plate:

1. Be sure the power to the circuit for the heat pump is turned off.
2. Remove the five (5) screws that attach the service/access panel to the heat pump unit (see Figure 10).
3. Remove the front cover of the junction box.
4. Electrical supply lines must be run through watertight conduit. Route the wires and conduit through the knock-out designated for high voltage on the right side of the heat pump. Connect to the bottom of the sheet metal junction box. See Figure 10 for knock-out location.
5. Connect the wires to the terminals on the main contactor as shown in the wiring diagrams. Refer to Figures 8 and 9.
6. Connect the ground wire to the ground lug provided in the electrical compartment.
7. Replace the cover of the junction box.
8. Replace the service access panel and replace the screws to hold it in place.
9. Connect a copper bonding wire (8 AWG). (In Canada, it shall be not smaller than 6 AWG (13.3 mm²) to the bonding lug on the right side of the heat pump.

WARNING

ELECTRICAL SHOCK HAZARD. This heat pump contains wiring that carries high voltage. Contact with these wires may result in severe injury or death. Disconnect power circuit before connecting the heat pump

CAUTION

Label all wires prior to disconnection when servicing controls. Wiring errors can cause improper and dangerous operation. Verify proper operation after servicing.

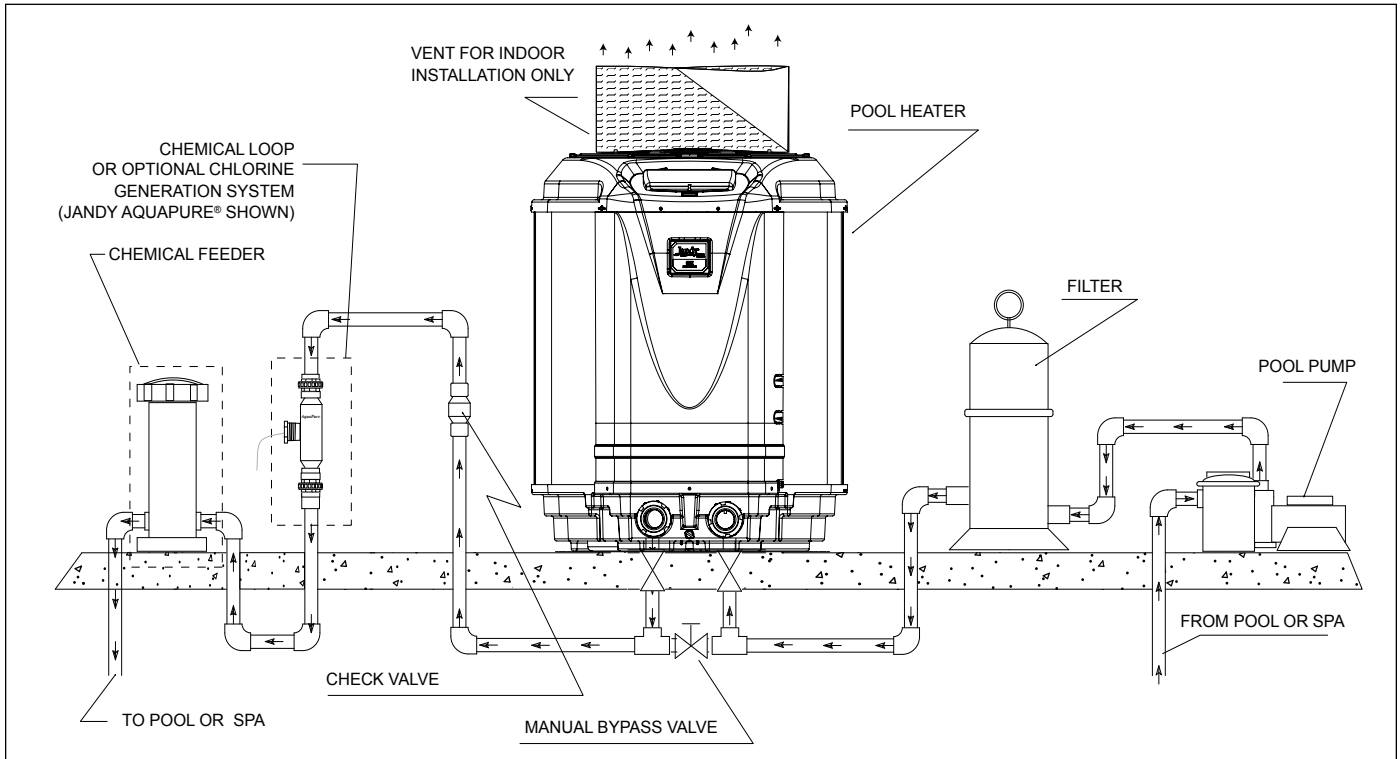


Figure 4. Standard Plumbing Layout

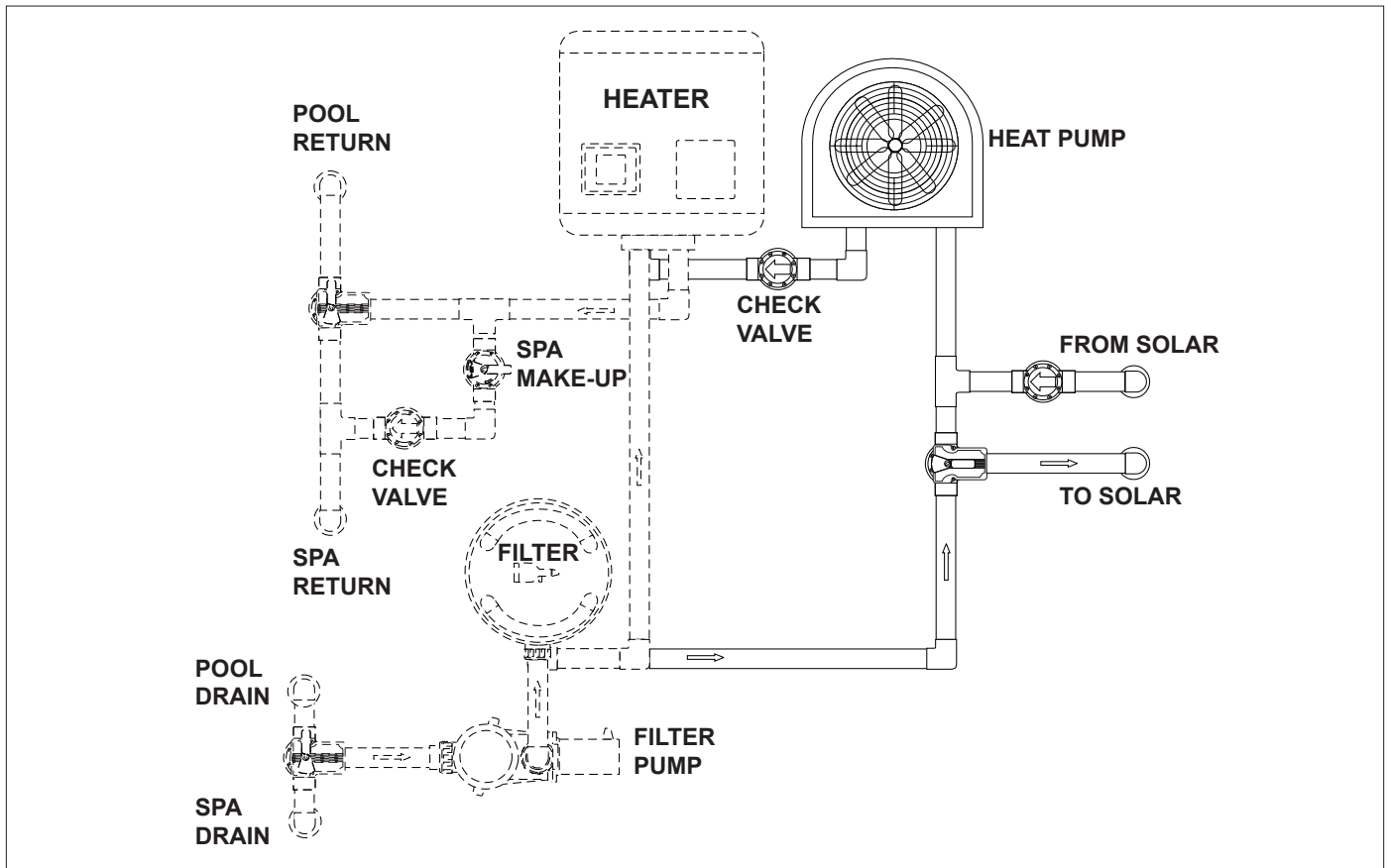


Figure 5. Plumbing For Heating System Combinations

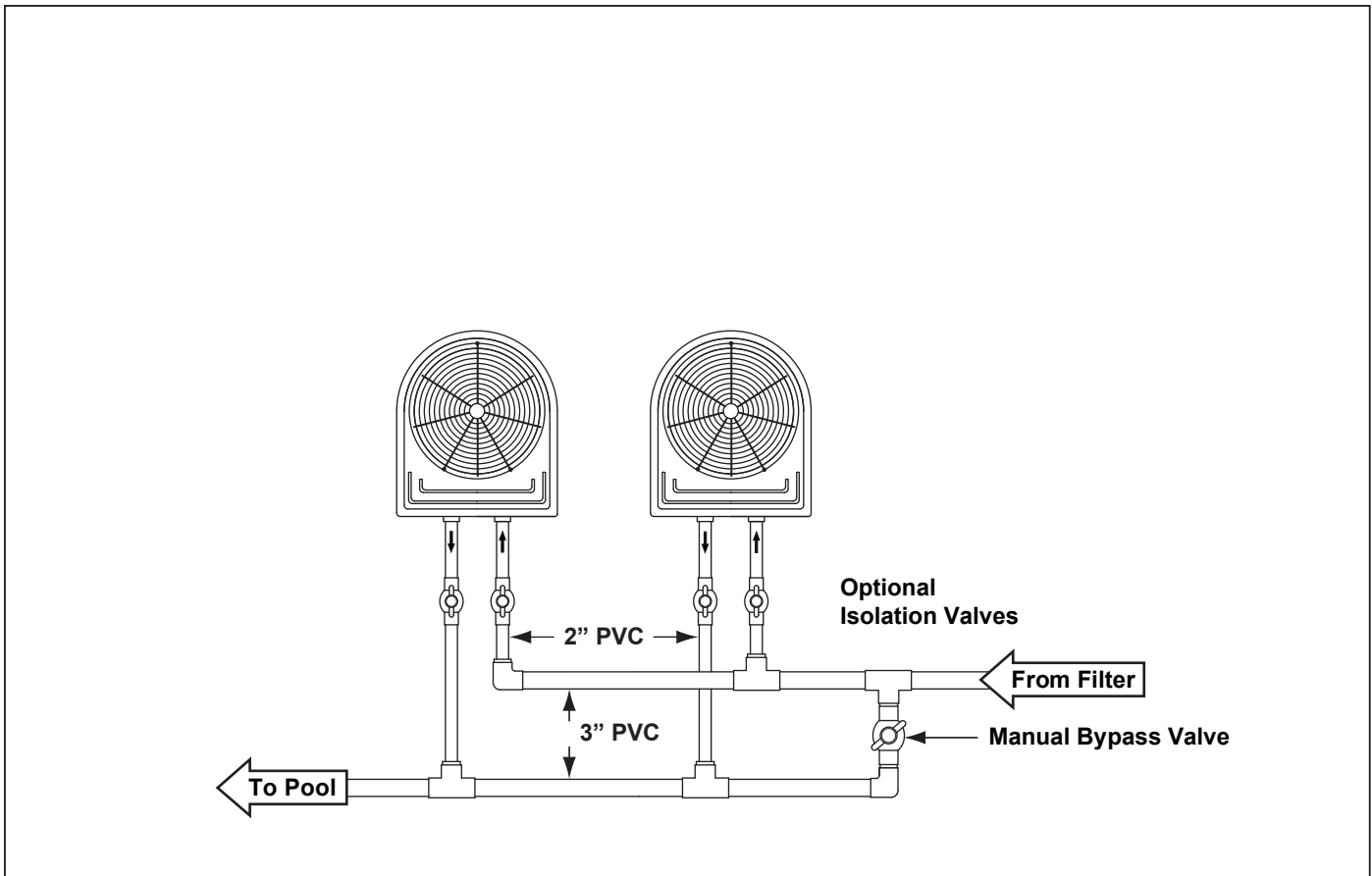


Figure 6. Two (2) Heat Pump Plumbing Layout

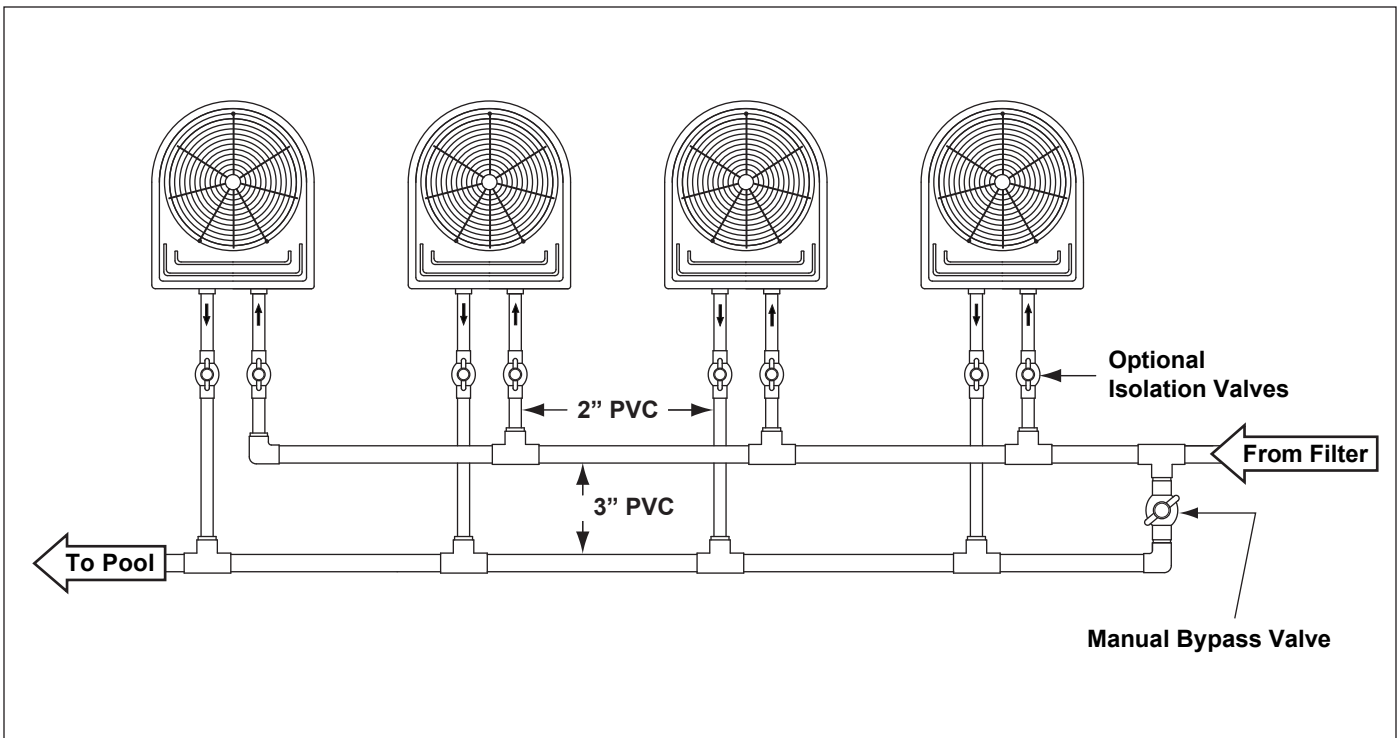


Figure 7. Four (4) Heat Pump Plumbing Layout

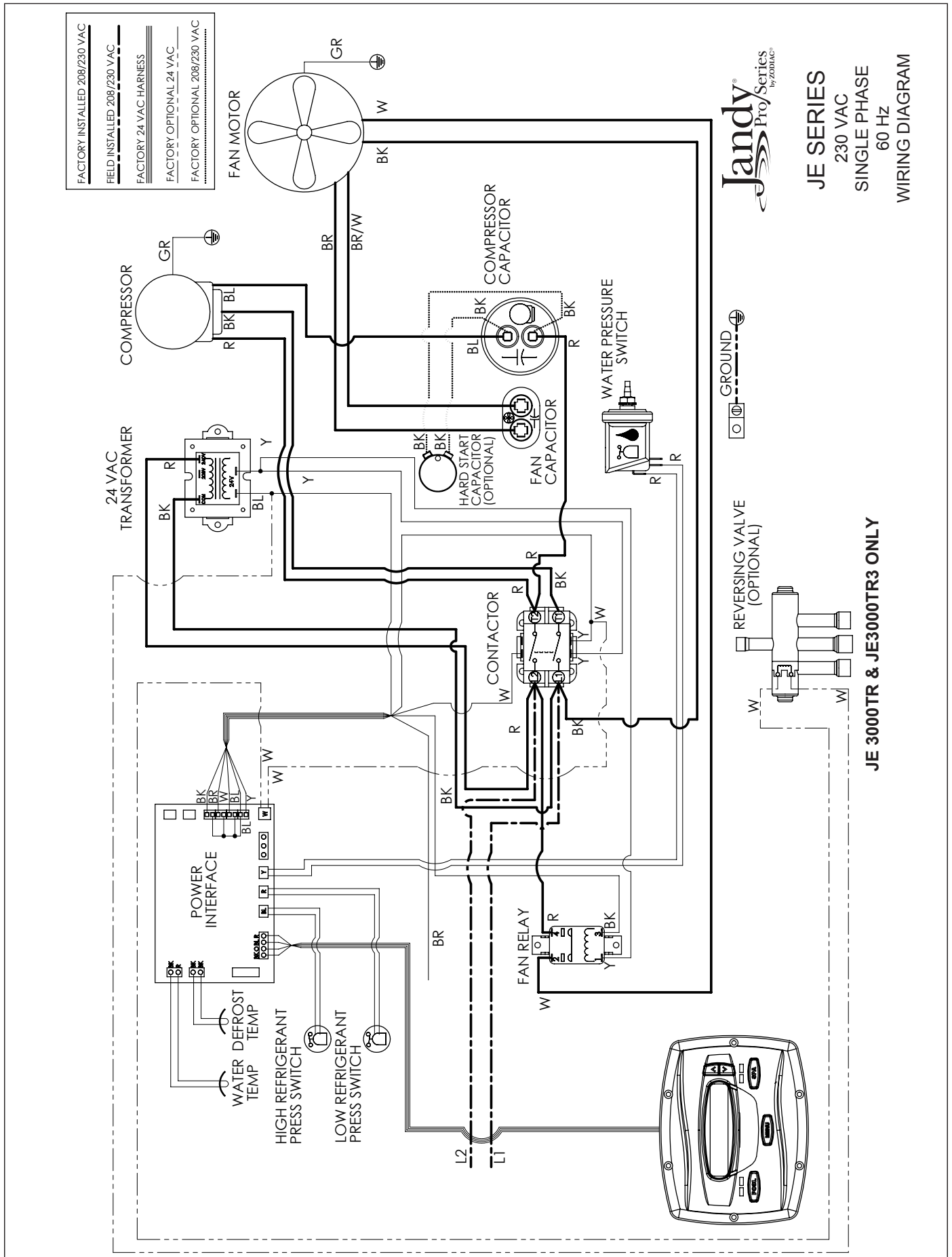


Figure 8. JE Single-Phase Electrical Supply Wiring Diagram

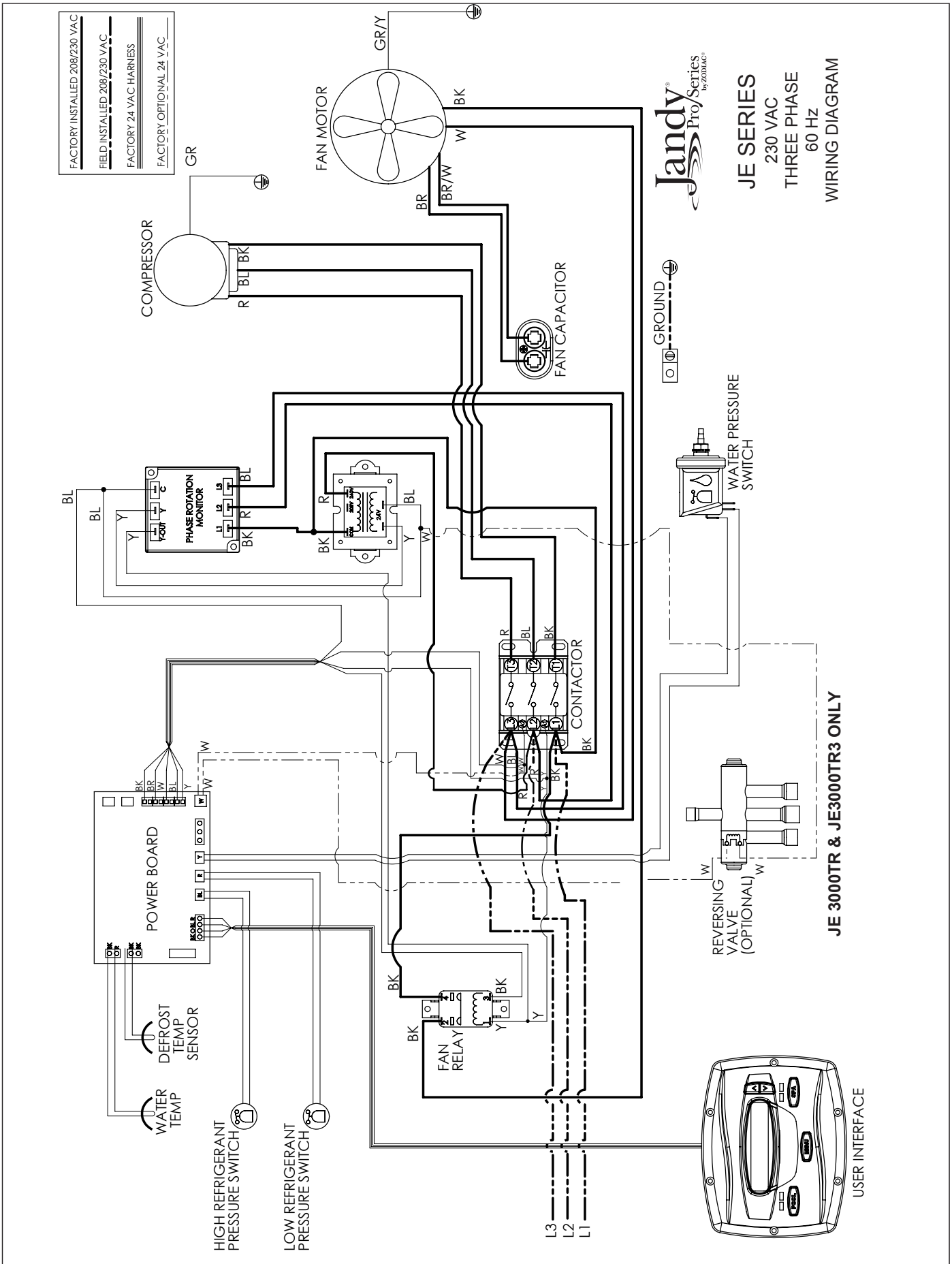


Figure 9. Jandy Pro Series JE 3-Phase Electrical Supply Wiring Diagram

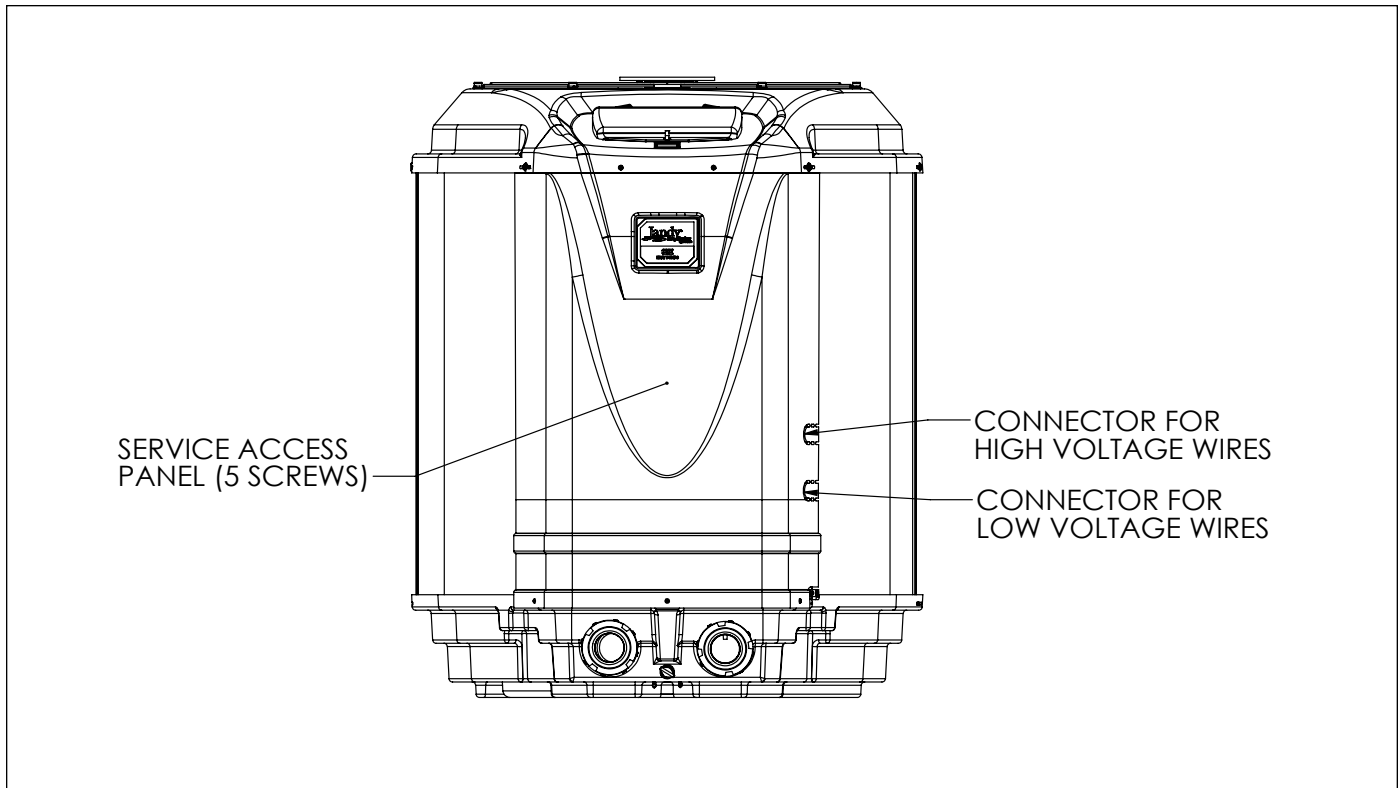


Figure 10. Jandy Pro Series JE Heat Pump Front View

4.3 Bonding

⚠ CAUTION

This heater must be connected to a bonding grid with a solid copper wire not smaller in diameter than 8 AWG (In Canada, it shall be no smaller than 6 AWG.)

The National Electrical Code® and most other U.S. codes require that all metallic components of a pool structure, including reinforcing steel, metal fittings, and above ground equipment be bonded together with a solid copper conductor not smaller than 8 AWG. The heat pump, along with pumps and other pool equipment must be connected to this bonding grid. A bonding lug is provided on the right hand side of the heat pump to ensure this requirement is met.

4.4 Optional Remote Controls

Electrical wiring must be in accordance with all applicable national and local codes and ordinances.

Connection to a Remote Pool-Off-Spa Selector (3-Wire Connection)

Install the Remote Pool-Off-Spa Selector

1. Turn off the power to both the pool/spa control system and the heat pump unit.
2. Remove the screws that attach the service/access

panel to the heat pump unit and the cover to the junction box (see Figure 10).

3. Run the wires from the pool/spa control system into the conduit connection labeled “Low Voltage Connection”, located on the lower right hand side of the heat pump (see Figure 10).
4. Connect the wiring from the pool/spa control system to the heat pump remote control terminal (see Figure 11a).
5. Restore power to the heat pump and the pool/spa control system.

Configure the Control Panel

1. Make sure the control is in the **OFF** mode.
2. To enter the Service Setup mode, press and hold the **MENU**, **POOL**, and **SPA** buttons for 5 seconds.

NOTE The display will revert back to **OFF** after one minute since the last key press.

3. Press the **Up** or **Down** button to display **REMOTE**. Press the **MENU** button. The **SELECT REMOTE OFF** (default remote) appears, use the **Up** or **Down** button to scroll through the Remote options. When you reach **HI-LO-COM**, press the **MENU** button to select the remote. Press **POOL** or **SPA** to exit the Service Setup mode.

Two-Wire Connection to an AquaLink® RS or TSTAT

Configure the AquaLink RS Control System

1. Turn off the power to both the pool/spa control system and the heat pump unit.
2. Connect two (2) wires to the AquaLink RS green 10-pin terminals 1 and 2.
3. Put DIP S2-1 (pin #1 of the 4 position DIP switch) into the ON position (see Figure 12).

Install the Remote TSTAT

1. Turn off the power to both the pool/spa control system and the heat pump unit.
2. Remove the screws that attach the service/access panel to the heat pump unit and the cover to the junction box (See Figure 10).
3. Run the wires from the pool/spa control system into the conduit connection labeled “low voltage connection”, located on the lower right hand side of the heat pump (See Figure 10).
4. Connect the wiring from the pool/spa control system to the heat pump remote control terminal (See Figure 11b).
5. Restore power to the heat pump and the pool/spa control system.

Configure the Control Panel

1. Make sure the control is in the **OFF** mode.
2. To enter the Service Setup mode, press and hold the **MENU**, **POOL**, and **SPA** buttons for 5 seconds.

NOTE The display will revert back to **OFF** after one minute since the last key press.

3. Press the **Up** or **Down** button to display **REMOTE**. The **SELECT REMOTE OFF** (default remote) appears, use the **Up** or **Down** button to scroll through the Remote options. When you reach **REMOTE TSTAT**, press the **MENU** button to select the remote. Press **POOL** or **SPA** to exit the Service Setup mode.
4. Press **SPA**. For heating, adjust the setpoint to the maximum setting. For chilling, adjust the setpoint to the minimum setting.

RS485 (4 wire) Connection to AquaLink® RS

1. Confirm the Jandy Pro Series JE heat pump and AquaLink RS software revisions are compatible.

Jandy Pro Series JE Heat Pump Power Interface Software Rev.	AquaLink® RS Software Revision
3.0 or Later	N or Later

NOTE Only a revision “N”, or higher, program chip in the RS system will support the Jandy Pro Series JE heat pump interface.

2. Turn off the power to both the heat pump and the RS control and open the RS Power Center enclosure and remove the front dead panel.
3. Remove the two (2) screws holding the bezel in place and turn the bezel over to view the circuit board on the back.
4. Locate the programmed chip on the Power Center Board. In the center of the chip is the revision letter. If the revision letter is “N” or higher go to step 5. If the revision level is “MMM” or lower, replace the board or connect as shown in Section 4.5

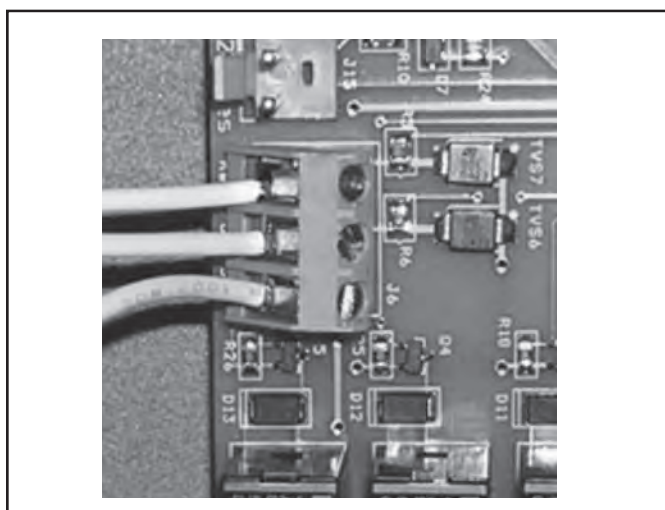


Figure 11a. Remote Pool-Off-Spa Connection (3-Wire Connection)

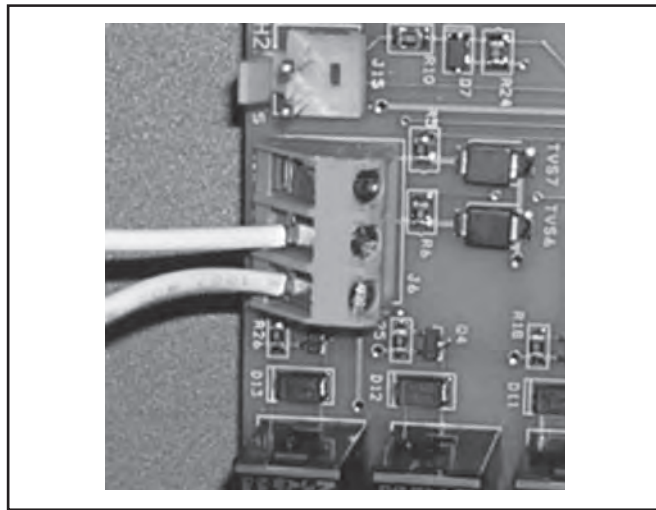


Figure 11b. AquaLink RS or Remote TSTAT Connection (2-Wire Connection)

5. Use 22 gauge 4-conductor wire (Zodiac® Part No. 4278) to run between the heat pump and the RS control, and match the wire color order.
6. The wires coming from the Jandy Pro Series JE heat pump can be “doubled up” on the red terminal bar with the four (4) wires coming from the indoor controller.

NOTE If you need to install more than two (2) wires in each terminal, order a Zodiac® Multiplex PCB Kit, which includes the Multiplex Board (Zodiac Part No. 6584). Never put more than two (2) wires into each of the pins of the terminal bar.

7. Check all wiring, then apply power to both the heat pump and the RS control system. Operation can be verified in either Service or Auto mode. See the RS Control System manual for instructions about operation.

When the Jandy Pro Series JE heat pump is first powered and there is an RS control connected to the heat pump, the display on the heat pump will show **“JANDY REMOTE ONLINE PUSH MENU TO DISABLE”**. When the JE heat pump is online with the RS control, all functionality of the control on the heat pump is disabled. The heat pump functions can be controlled only at the RS unit.

To temporarily use the heat pump controls, press the **MENU** button. The message **“JANDY REMOTE ONLINE PUSH MENU TO DISABLE”** will disappear from the heat pump display. All functionality has now been returned to the control on the heat pump. In this mode the RS unit is no longer controlling the heat pump.

To return the functionality to the RS unit, cycle (turn off and then turn on) the power to the heat pump, or press the **MENU** button for 5 seconds to enter the User Setup Mode and then enable the Zodiac Remote.

NOTE If connecting more than two (2) items to the RS Power Center red, 4-pin connector, a Multiplex PCB is required.

Connection to a Secondary User Interface

1. Turn off the power to the heat pump.
2. Remove the five (5) screws that attach the front panel to the heat pump and remove the cover to the junction box. See Figure 10.
3. Run four (4) 22 AWG solid copper wires into the conduit labeled “Low Voltage Connection” located on the lower right hand side of the heat pump. See Figure 10. The wires may be up to 300 feet (91.4 m) in length.
4. Connect the wires to the 4 position terminal on the upper left hand corner of the Power Interface PC Board, labeled “User Interface1”. The wires will be added to the existing wiring to the User Interface installed on the heat pump.
5. Ensure the wiring is consistent when connecting the wires to the second User Interface. For example, BK goes to BK, O goes to O, etc.
6. Re-install the junction box cover and service access panel and restore power to the heat pump.

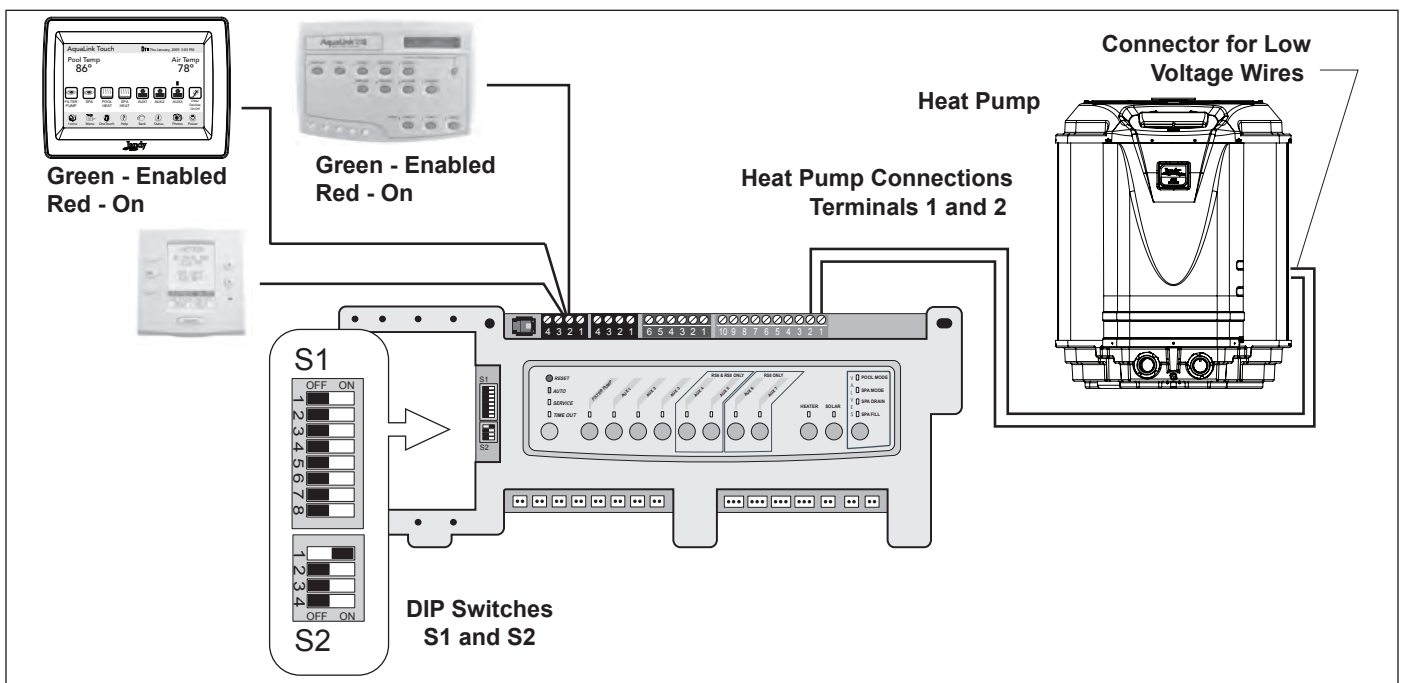


Figure 12. AquaLink RS to Jandy Pro Series JE Heat Pump - T-Stat (2 wire) connection

Section 5. Operation

⚠ CAUTION

Do not use this heat pump if any part has been under water. Immediately call a qualified service technician to inspect the heater and replace any part of the control system which has been under water.

⚠ CAUTION

Keep all objects off the top of the heat pump. Blocking air flow could damage the unit and may void the warranty.

5.1 Initial Start-up Precautions

Be sure that there is water in the pool and that the surface level is above the skimmer or other inlet of the pool's filter system.

With any new pool or spa installation, operate the filter pump with the heat pump off long enough to completely clean the water. This will remove any installation residue from the water.

Clean the filter at the end of this operation before starting the heat pump. When raising the temperature of a cold pool, program the time clock to run the pump continuously.

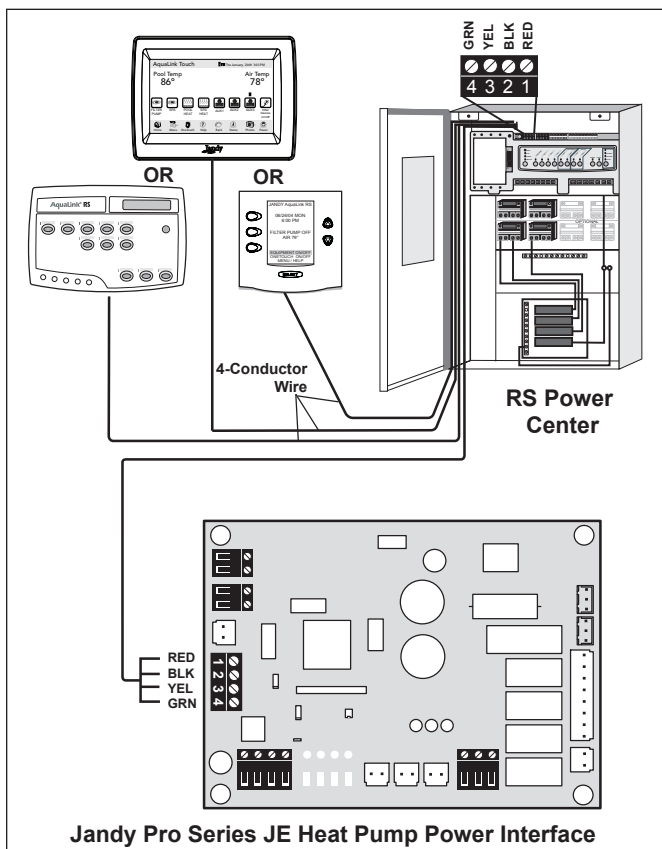


Figure 13. Jandy Pro Series JE Heat Pump to Power Center - RS485 (4 wire) connection

This lets the filter system and heat pump operate continuously until the water reaches the temperature setting on the temperature control. When that happens, the heat pump will automatically shut off, but the filter pump will keep running.

5.2 Operating the Controller

Your new Jandy Pro Series JE heat pump is controlled by an advanced microprocessor based controller that provides a sophisticated yet simple interface to operate your heat pump for maximum efficiency and enjoyment of your pool. To locate the control buttons, see Figure 14.

Off Mode

When the control panel is turned off, the screen displays **HEAT PUMP IS OFF PRESS POOL OR SPA**.

Pool Mode - (Normal Heat)

To enable the pool mode, press **POOL**. The associated left green LED indicator will light and the unit will display **SET:XXX°**.

NOTE *XXX* represents the current temperature setting on the control. The default setting for pool temperature is 80°F (26°C).

You can change the temperature set point by pressing the **Up** or **Down** button. Repeatedly press the **Up** or **Down** button until you reach the desired temperature set point. After 5 seconds of inactivity, the new set point is stored in memory.

When the water temperature falls to 1 degree below the temperature setting *and* after a 5 minute delay, the control will start the heat pump and the associated right LED will light RED.

Pool Mode - (Optional Maintain Heat)

If connected to an AquaLink, the Maintain Heat mode allows the heat pump to monitor the temperature of the water 24 hours a day by turning the pool pump on and sampling the water temperature.

NOTE This feature only works when connected to an AquaLink.

When the water temperature drops below the programmed temperature set point, the control will start the heat pump.

To operate in pool mode with the Maintain Heat feature, press **POOL**, then press **MENU**, press the **Down** button until **MAINTAIN POOL HEAT** is displayed, press the **MENU** button.

The associated left green LED indicator will light and the unit will display **SET:XXX°**. Change the temperature set point by pressing the **Up** or **Down** button until the desired set point is displayed. After 5 seconds of inactivity, the new set point is stored in memory.

Spa Mode - (Normal Heat)

To enable the spa mode, press **SPA**. The associated left green LED indicator will light and the unit will display **SET:XXX°**.

NOTE *XXX* represents the current temperature setting on the control. The default setting for spa temperature is 102°F (38°C).

You can change the temperature set point by pressing the **Up** or **Down** button. Repeatedly press the **Up** or **Down** button until you reach the desired temperature set point. After 5 seconds of inactivity, the new set point is stored in memory. When the water temperature falls to 1 degree below the temperature setting *and* after a 5 minute delay, the control will start the heat pump and the associated right LED will light RED.

Spa Mode - (Optional Maintain Heat)

If connected to an AquaLink, the Maintain Heat mode allows the heat pump to monitor the temperature of the water 24 hours a day by turning the spa pump on and sampling the water temperature.

NOTE This feature only works when connected to an AquaLink.

To operate in spa mode with the Maintain Heat feature, press **SPA**, then press **MENU**, press the **Down** button until **MAINTAIN SPA HEAT** is displayed, press the **MENU** button. The associated left green LED indicator will light and the unit will display **SET:XXX°**. Change the temperature set point by pressing the **Up** or **Down** button until the desired set point is displayed. After 5 seconds of inactivity, the new set point is stored in memory.

5.3 Operating Features of Hybrid Units with Optional Chiller

NOTE The chiller is an optional equipment. Not all units are provided with chiller.

Pool Mode - (Normal Chill)

To enable the pool mode, press **POOL**. The associated left green LED indicator will light and the unit will display **SET:XXX°**.

NOTE *XXX* represents the current temperature setting on the control. The default setting for pool temperature is 80°F (26°C).

Press the **MENU** button. Press the **Up** or **Down** button until you reach **POOL CHILL**, press the **MENU** button.

NOTE **POOL CHILL** will not be displayed if the unit is not provided with chiller.

You can change the temperature set point by pressing the **Up** or **Down** button. Repeatedly press the **Up** or **Down** button until you reach the desired temperature

set point. After 5 seconds of inactivity, the new set point is stored in memory. When the water temperature rises to 1 degree above the temperature setting *and* after a 5 minute delay, the control will start the heat pump and the associated right LED will light GREEN.

Pool Mode - (Optional Maintain Chill)

If connected to an AquaLink, the Maintain Chill option mode allows the unit to monitor the temperature of the water 24 hours a day by turning the pool pump on and sampling the water temperature.

NOTE This feature only works when connected to an AquaLink.

When the temperature of the water rises above the desired temperature setting, the control will then turn on the unit and the associated right green LED will light. To operate in pool mode with the Maintain Chill feature, press **POOL**, then press **MENU**, then press the **Down** button until **MAINTAIN POOL CHILL** is displayed, press the **MENU** button. The associated left green LED indicator will light and the unit will display **SET:XXX°**. Change the temperature set point by pressing the **Up** or **Down** button until the desired set point is displayed. After 5 seconds of inactivity, the new set point is stored in memory.

Spa Mode - (Optional Maintain Chill)

If connected to an AquaLink, the Maintain Chill mode allows the heat pump to monitor the temperature of the water 24 hours a day by turning the spa pump on and sampling the water temperature.

NOTE This feature only works when connected to an AquaLink.

When the water temperature rises above the programmed temperature set point, the control will start the heat pump.

To operate in the spa mode with the Maintain Chill feature, press **SPA**, then press **MENU**, press the **Down** button until **MAINTAIN SPA CHILL** is displayed, press the **MENU** button. The associated left green LED indicator will light and the unit will display **SET:XXX°**. Change the temperature set point by pressing the **Up** or **Down** button until the desired set point is reached. After 5 seconds of inactivity, the new set point is stored in memory.

5.4 User Setup Options

The User Setup options allow the user to select specific Languages, Temperature Scale, Spa Timer, and Display Light options.

Language Setup

1. Make sure the control is in the **OFF** mode.
2. To enter the User Setup mode, press and hold the **MENU** button for 5 seconds.

NOTE The display will revert back to **OFF** after one minute since the last key press.

3. To select a language, use the **Up** or **Down** button to display **SELECT USER SETUP LANGUAGE**. Press the **MENU** button. The **SELECT LANGUAGE ENGLISH** (default language) appears, use the **Up** or **Down** button to scroll through the language options. When you reach the desired language, press the **MENU** button to select the language. Press **POOL** or **SPA** to exit the User Setup mode.

Temperature Scale Setup

1. Make sure the control is in the **OFF** mode.
2. To enter the User Setup mode, press and hold the **MENU** button for 5 seconds.
3. To select temperature scale, use the **Up** or **Down** button to scroll through to display **SELECT USER SETUP TEMPERATURE SCALE**. Press the **MENU** button. The **SELECT TEMP SCALE °F** (default temperature scale) appears, use the **Up** or **Down** button to scroll through the scale options. When you reach the desired temperature scale, press the **MENU** button to select. Press **POOL** or **SPA** to exit the User Setup mode.

Spa Timer Setup

1. Make sure the control is in the **OFF** mode.
2. To enter the User Setup mode, press and hold the **MENU** button for 5 seconds.
3. To select spa timer, use the **Up** or **Down** button to scroll through to display **SELECT USER SETUP SPA TIMER**. Press the **MENU** button. The **SELECT SPA TIMER CONTINUOUS** (default spa timer setting) is displayed. To turn the spa on or off indefinitely, press the **MENU** button to select.

To select the length of time for the spa to run, use the **Up** or **Down** button to scroll to display **SELECT SPA TIMER TIME SELECTION**. Press the **MENU** button to select. The display **SELECT SPA TIME 01:00 HRS** (default time setting) is displayed. Use the **Up** or **Down** button to select the length of time for the spa to run (between 00:15 to 23:00 hours incremented by 00:15 minutes). Press the **MENU** button to select how long the spa will run. Press **POOL** or **SPA** to exit the User Setup mode.

Display Light Setup

1. Make sure the control is in the **OFF** mode.
2. To enter the User Setup mode, press and hold the **MENU** button for 5 seconds.
3. To select display light setup, use the **Up** or **Down** button to scroll through to display **SELECT USER SETUP DISPLAY LIGHT**. Press the **MENU** button. The **SELECT DISPLAY LIGHT 2 MIN TIMEOUT** (default display light setting) is displayed. This option allows the display light to turn off after 2 minutes. Press the **MENU** button to select. Use the **Up** or **Down** button to scroll to display **SELECT DISPLAY LIGHT LIGHT OFF**, this option allows the display light to turn off, press the **MENU** button to select. Use the **Up** or **Down** button to scroll to display **SELECT DISPLAY LIGHT LIGHT ON**, this option allows the display light to turn on, press the **MENU** button to select. Press **POOL** or **SPA** to exit the User Setup mode.



Figure 14. Main Control Panel

5.5 Set Point Lockout

Make sure the control is in the **ON** mode (**POOL** or **SPA**), press and hold the **Up** and **Down** buttons for 5 seconds. The set point will be locked and the control will operate in the mode it was in when the Set Point Lockout occurred. If an attempt to change the set point is made while the control is in Set Point Lockout, the control will display **SET POINT LOCKED**. To unlock the Set Point Lockout, press and hold the **Up** and **Down** buttons for 5 seconds. The unit will display **SET POINT UNLOCKED**.

5.6 Water Pressure Switch Adjustment

CAUTION

The water pressure switch should be adjusted to turn the heater off when the pump is off. Setting the switch to close at too low of a flow can damage the appliance. Adjust the switch to turn the heater off, not on.

The pressure switch is preset at the factory for activation at 2 psi (14 kPa). This is the minimum setting for the water pressure switch and works for all basic installations. Only adjust the water pressure switch if the heat pump does not operate *when the proper flow is applied to unit* or if the heat pump does not shut off when the filter pump is off. Occasionally, unusual plumbing configurations or necessary restrictions in the plumbing may cause pressure sensing problems. In these rare situations, the plumbing system configuration may require adjustment of the water pressure switch. Adjustment of the pressure switch may be necessary if any part of the filter system piping is 3 feet (1 m) or more above the top of the heat pump jacket. Do not adjust the pressure switch if the heat pump is installed more than 5 feet (1.5 m) above or 10 feet (3 m) below the pool surface. Consult your local Zodiac® dealer for recommendations.

On some installations, the piping from the heat pump to the pool is very short. The back pressure could be too low to trigger the pressure switch. If this happens, it may be necessary to install a directional fitting or elbows where the return line enters the pool. This will increase back pressure enough for the heat pump to operate properly. If this configuration is necessary, be sure to check that the system flow is above the minimum requirement of 30 gpm (114 lpm) after the direction fitting or elbow has been installed. Make sure the pool filter is clean before making any pressure switch adjustment: A dirty filter will restrict the water flow and the pressure switch cannot be adjusted properly.

To adjust the pressure switch:

1. Be sure that all valves in the system are set to allow water flow through the heat pump. Start the filter pump.
2. Set the heat pump control to call for heat. Set the heat pump control to the **POOL HEAT** mode.

3. If the heat pump control displays “NO FLOW”, then the flow in the system may be below the minimum flow of 30 gpm (114 lpm) needed for the safe operation of the heat pump. Investigate and correct any flow problems before adjusting the water pressure switch.
4. Remove the heat pump’s control access panel. The water pressure switch is located in the lower left corner of the control compartment.
5. After confirming the flow rate is at a minimum of 30 gpm (114 lpm), slowly rotate the thumb wheel on the water pressure switch in a **counterclockwise** direction until the “NO FLOW” indicator disappears from the control display. Remember that there is a time delay before the heat pump compressor will start.
6. Once the heat pump is running, turn off the filter pump. The heat pump should turn off immediately.
7. If the heat pump continues to operate when the filter pump is off, turn the thumb wheel on the water pressure switch in a **clockwise** direction until “NO FLOW” is displayed on the control and the heat pump shuts down.
8. Check the setting of the water pressure switch by starting and stopping the filter pump and checking the control display and operation of the heater between each flow change.
9. If the water pressure switch cannot be adjusted to accommodate the conditions listed above, an external flow switch must be added to the plumbing system to ensure that the heat pump will not operate without the proper flow through the heat exchanger.

Section 6. General Maintenance

6.1 Water Chemistry

Proper chemical balances are necessary for sanitary bathing conditions as well as ensuring your heat pump’s long life. Be sure to keep your chemical and mineral concentration levels within the values indicated in Table 3.

NOTE For spas, it is also necessary to perform water changes in addition to chemical treatment. It is recommended to change the spa water every 60 days for light usage and every 30 days if usage is heavy.

6.2 Winterizing

CAUTION

Failure to winterize could cause damage to the heat pump and will void the warranty.

In areas where freezing temperatures occur, you should protect your pump, filter, and heat pump from the ele-

ments. Perform the following steps to completely drain the heat pump (see Figure 15).

1. Turn off the electrical power to the heat pump at the main breaker panel.
2. Shut off the water supply to the heat pump.
3. Disconnect the water inlet and outlet unions as well as the winterizing drain plug (if applicable) located on the lower front panel of the heat pump. The heat exchanger will drain through these water connections.
4. Cover only the top of the heat pump to prevent debris from falling into the unit. Do not wrap the sides of the heat pump with any plastic or other material that will retain heat or moisture inside the unit.

6.3 Spring Start-Up

If your heat pump has been winterized, perform the following steps when starting the system in the Spring:

1. Uncover the heat pump and inspect the top and sides for any debris or structural problems.
2. Connect the water inlet and outlet unions located on the lower front panel of the heat pump.
3. Turn on the filter pump to supply water to the heat pump. Circulate water through the system long enough to cycle all of the pool water through the filter. Check for leaks in and around the heat pump.
4. Check the pool chemistry and balance as necessary.
5. Turn on the electrical power to the heat pump at the main breaker panel.

6.4 Inspection and Service

Zodiac® heat pumps are designed and constructed to provide long performance life when installed and operated properly under normal conditions. Periodic inspections are important to keep your heat pump running safely and efficiently through the years.

Owner Inspection

⚠ CAUTION

Do not use this heat pump if any part has been under water. Immediately call a qualified service technician to inspect the heater and replace any part of the control system which has been under water.

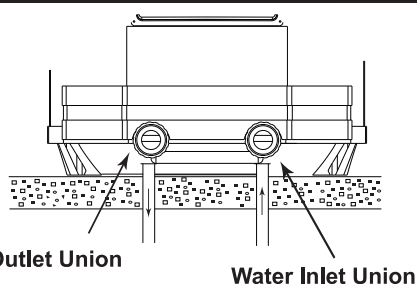


Figure 15. Winterizing the JE Heat Pump

Zodiac recommends that you inspect your heat pump on a regular basis and especially after abnormal weather conditions. The following basic guidelines are suggested for your inspection:

1. Keep the top and surrounding areas of the heat pump clear of all debris.
2. Keep all plants and shrubs trimmed and away from the heat pump.

The heat pump will produce condensation (water) while in operation. The heat pump base is designed to allow the condensation to exit through the bottom drain port when the unit is running. The condensation will increase as the outdoor air humidity level increases. Check the following at regular intervals to ensure proper condensate drainage:

1. Visually inspect and clear the bottom drain ports of any debris that could clog the ports.
2. Ensure that condensate water does not puddle inside the heat pump
3. Ensure that condensate run-off is properly directed away from the equipment pad to keep it from undermining the pad.

During normal operation, the heat pump produces 3 to 5 gallons of condensate per hour. If condensate drainage is above this range during operation or if water continues to drain from the base when the heat pump is not in operation for more than an hour, a leak in the internal plumbing may have occurred. Call a qualified heat pump technician to investigate the problem. Keep the top air flow discharge and air flow intake area clear of debris so the air flow through the heat pump is not restricted. The cooler discharge air from the top should not accumulate and be drawn into the side air intake coils. Keep all plants and shrubs trimmed away from the heat pump.

Make sure the front of the unit is accessible for future service.

Keep lawn sprinkler heads from spraying on the heat pump to prevent corrosion and damage. Use a deflector if needed.

If the unit is installed under a very sharp roof pitch or under a roof without a gutter, a gutter or diverter should be fitted to prevent excessive water from pouring down into the unit.

Professional Inspection

Inspections performed at least once a year by a qualified technician are required to maintain your heat pump's safe and efficient operation. The following basic safety checks must be performed.

1. Check for loose or broken wires and terminal connections.
2. Verify the pressure switch or flow switch operation. Turn the heat pump OFF. Disconnect the power to the pump time clock, or turn the pump time clock to an OFF position. Turn the heat pump back ON. The heat pump must not come on.

3. Inspect the electrical controls, specifically the following:
 - a. High and Low Limits
 - b. Pressure Switch or Flow Switch
 - c. Temperature Control
4. Inspect the evaporator coil for blockage and clean as necessary.
5. Check for spider webs or debris in the condensate drain; clean if necessary.
6. Conduct a normal operating cycle and observe that the unit operates properly.

Section 7. Professional Maintenance and Service

7.1 Heat Pump Design

The Zodiac® heat pump is one of the most efficient ways to heat a pool or spa. The heat pump transfers heat from the outside air to the pool or spa water by means of an internal heat exchanger.

When the fan is turned on, warm air is drawn through the refrigerant charged evaporator, turning the cold liquid refrigerant to a warm gas. The gas then flows through the compressor where it is compressed resulting in a much higher temperature.

The hot gas enters the heat exchanger where the water extracts the heat. The pump pulls in cool pool water, which in turn converts the hot gas back into a liquid refrigerant and starts the cycle over again.

The JE heat pump and the EE-Ti heat pump uses a refrigerant called R-410A. It is a non-ozone depleting refrigerant that is accepted by the EPA. R-410A has higher operating pressures and cooling capabilities than R-22, which is the refrigerant used in the AE-Ti heat pump. Therefore, R-410A should NEVER be used in any of the AE-Ti heat pumps.

The EPA requires certification to purchase or use R-410A. It is recommended that service personnel be trained in installation, service, brazing, and maintenance procedures. They are similar to what the industry has used for the R-22 system, however, they should be redefined for the higher operating pressures.

NOTE The maximum heat output and efficiency of a heat pump is dependent upon the quality and performance of the major components used. Equally important are the environmental conditions (for example, air temperature, humidity, water temperature, and wind).

7.2 Heat Pump Components and Operation

Evaporator - As air passes through the evaporator, the refrigerant in the evaporator absorbs heat from the ambient air. The warmer the ambient air and the larger the surface area of the evaporator the more heat it can collect.

Fan - The heat pump fan produces high volume airflow. Adequate airflow is required to move warm air through the large evaporator.

Compressor - The compressor compresses the refrigerant gas to a higher pressure, increasing the temperature.

Heat Exchanger - As the final step to the heating process, the heat exchanger transfers the heat from the hot gas to the water. (Also known as a condenser.)

Reversing Valve - (For Hybrid Units with Optional Chiller and Hot Gas Defrost) The reversing valve reverses the flow of the refrigerant, which results in transferring cold gas to the water, thus lowering the temperature.

Table 3. Optimal Water Chemistry Ranges

Test	Recommended Level
Free Chlorine or Bromine	1.0 to 3.0 ppm
pH	7.2 to 7.8 (Ideal ranges being between 7.4 and 7.6)
Total Alkalinity (TA)	80 to 120 ppm
Calcium Hardness (CH)	175 to 400 ppm
Cyanuric Acid	30 to 50 ppm
Total Dissolved Solids (TDS)	1000 to 2000 ppm (Excluding dissolved NaCl from Salt Chlorine Generator)

* Concentration levels taken from "Basic Pool and Spa Technology" published by APSP (Association of Pool and Spa Professionals).

Section 8. Troubleshooting

8.1 Troubleshooting Guide

The following table provides symptoms and solutions for general troubleshooting problems for the heat pump.

Table 4. Heat Pump Troubleshooting Guide

SYMPTOM	CORRECTIVE ACTION
Heat pump will not start, no control board display.	Breaker or fuse may be tripped. Reset breaker or check fuse. If heat pump still does not run, call for service. Three-phase models only - The phases may be reversed or there may be a loss of phase, call for service.
Heat pump will not start, control board display working.	Heat pump may be in delay count down of 5 minutes. Make sure control board thermostat is calling for heater to come on (check setting on thermostat and temperature reading). Make sure heat pump is not in cooling mode.
Heat pump runs but does not heat.	Verify cold air is blowing out the top of the heat pump. If the heat pump has just been installed or if the pool water has been allowed to cool significantly, it is necessary to run the heat pump continually for 24-48 hours. If the heat pump has been in operation for some time, increase the circulating pump time, or switch the control board to Maintain Heat function. If heating a spa, verify no air intake stand pipes are open. If heat pump still does not heat, call for service.
Heat pump does not run and control board displays: FAULT- NO FLOW	Verify circulating pump is on and all necessary valves are in the correct positions. Verify filter and skimmers are clean. Check water level in pool. Temporarily turn off all fountains and water falls that bypass the heat pump water inlet. If this does not correct the problem, call for service.
Heat pump does not run and control board display shows: FAULT- HIGH REF PRESSURE	Verify circulating pump is on and that there are no water flow restrictions to the heat pump. If the filter pump is a two speed or variable speed pump, switch to a higher speed. Make sure all necessary valves are open or in the proper positions to allow proper water flow to the heat pump. Verify filter and skimmers are clean. Check for water level in the pool. This condition may also appear if the heat pump has not been operated for an extended period. To clear the condition, cycle the heat pump, on and off, up to 3 times. If this does not correct the problem, call for service.
Heat pump does not run or short cycles and control board display shows: FAULT- LOW REF PRESSURE	Check that fan is operating and air is coming out of the top of the heat pump, while short cycling. If heat pump does not run at all, call for service.
Heat pump leaking water.	Possible heat exchanger or plumbing leak. Turn the heat pump off, then turn circulating pump off for at least one hour to see if the water leak stops. If the water leak stops, normal condensation is occurring. If the water leak continues, after the heat pump is shut off for at least one hour, call for service.

8.2 Diagnostics

In the event a pressure switch opens or another fault condition occurs, the LCD screen will display the fault until the problem has been resolved. Please refer to the following table for the list of diagnostic conditions.

Table 5. Heat Pump Diagnostics

DIAGNOSTIC CONDITION	DESCRIPTION
FAULT- NO FLOW	<p>Low or restricted water flow through the heat pump.</p> <p>The external bypass valve is in the wrong position, or the water flow switch has malfunctioned. The water flow switch opens creating a fault and the heat pump shuts off.</p>
FAULT- LOW REF PRESSURE	<p>When the ambient temperature is low, the suction pressure can drop significantly.</p> <p>This fault will cause the low pressure switch to open and the control will shut off the compressor.</p>
FAULT- HIGH REF PRESSURE	<p>When the head pressure builds too high, the high pressure switch will open causing the heat pump to shut off immediately.</p> <p>The control will sense this fault condition and shut off the compressor until the switch re-closes.</p>
FAULT- HIGH WATER TEMP	<p>When the POOL or SPA water temperature heats to the maximum allowed temperature or above, there could be safety risks for anyone in the water.</p> <p>The water thermostat will read this temperature and the control will shut off the heat pump unless it is in CHILLER mode.</p> <p>This feature also remains active when the control calls for heat through a remote thermostat. This is to insure that water temperature does not go to an abnormally high level due to a possible malfunction of the remote sensor.</p>
FAULT- SHORTED COIL SENSOR -or- FAULT- OPEN COIL SENSOR	<p>In the event that the coil temperature sensor malfunctions or is not connected the control will shut off the heat pump.</p>
FAULT- SHORTED WATER SENSOR -or- FAULT- OPEN WATER SENSOR	<p>In the event that the water temperature sensor malfunctions or is not connected the control will shut off the heat pump.</p>

Section 9. Replacement Parts

9.1 Ordering Information

To order or purchase parts for the JE models of heat pumps, contact your nearest Zodiac dealer or distributor. See the Zodiac web site at www.Zodiac.com for the nearest service center. If they cannot supply you with what you need, contact Zodiac customer support department, telephone (800) 822-7933.

9.2 Zodiac® JE Heat Pumps Parts List

Key No.	Description	Model No.	Order Part No.	Key No.	Description	Model No.	Order Part No.
1	Fan Grille	1500	R0571700	30	Fan Relay	All	R0577000
1	Fan Grille	2000, 2500, 3000	R0571800	31	Phase Rotation Monitor (3 phase)	2500, 3000 (3 Phase)	R0577100
2	Fan Motor	1500	R0571900		Optional Components		
2	Fan Motor	2000, 2500, 3000	R0572000	32*	Anchor Bracket Set	1500	R0577200
3	Fan Blade	1500	R0572100	32*	Anchor Bracket Set	2000, 2500, 3000	R0577300
3	Fan Blade	2000, 2500, 3000	R0572200	33	Universal Union, Butress Set	All	R0472700
4	Fan Top	1500	R0572300	34*	Bypass, External, JE Heat Pump	All	R0578900
4	Fan Top	2000, 2500, 3000	R0572400				
5	Evaporator Coil / Guard	1500	R0572500		* Not Shown		
5	Evaporator Coil / Guard	2000, 2500	R0572600				
5	Evaporator Coil / Guard	3000	R0572700				
6	Compressor	1500	R0572800				
6	Compressor	2000	R0572900				
6	Compressor	2500	R0573000				
6	Compressor	3000	R0573100				
6	Compressor (3 phase)	2500	R0577500				
6	Compressor (3 phase)	3000	R0577600				
7	Condenser	1500	R0577700				
7	Condenser	2000	R0577800				
7	Condenser	2500	R0577900				
7	Condenser	3000	R0578000				
8	Water Manifold Inlet	1500	R0573200				
8	Water Manifold Inlet	2000, 2500	R0573300				
8	Water Manifold Inlet	3000	R0573400				
9	Water Manifold Outlet	1500	R0573500				
9	Water Manifold Outlet	2000, 2500	R0573600				
9	Water Manifold Outlet	3000	R0573700				
10	Base	1500	R0573800				
10	Base	2000, 2500, 3000	R0573900				
11	Electrical Box Cover w/ Hardware	All	R0574000				
12	Front Panel	1500	R0574300				
12	Front Panel	2000, 2500	R0574400				
12	Front Panel	3000	R0574500				
13	Water Temperature Sensor	All	R0574600				
14	Filter Drier	1500	R0574700				
14	Filter Drier	2000, 2500, 3000	R0574800				
14	Filter Drier (Bi-flow)	3000TR	R0574900				
15	Thermal Expansion Valve	1500	R0575000				
15	Thermal Expansion Valve	2000, 2500	R0575100				
15	Thermal Expansion Valve	3000	R0575200				
16	Air Temperature Sensor	All	R0575300				
17	High Pressure Switch	All	R0575400				
18	Low Pressure Switch	All	R0575500				
19	Water Pressure Switch	All	R0575600				
20	User Interface	All	R3008801				
21	Interface Cover	All	R3000601				
22	Reversing Valve (optional)	3000TR	R0575900				
23	Winterizing Drain Kit	2000, 2500, 3000	R0576000				
24	Power Interface PCB	All	R3009200				
25	Transformer	All	R0576200				
26	Run Capacitor (1 phase)	1500	R0576300				
26	Run Capacitor (1 phase)	2000, 2500, 3000	R0576400				
27	Fan Capacitor	1500	R0576500				
27	Fan Capacitor	2000, 2500, 3000	R0576600				
28	Hard Start Capacitor	1500	R0576700				
29	Contactora (1 phase)	All (1 Phase)	R0576800				
29	Contactora (3 phase),	All (3 Phase)	R0576900				

9.3 Zodiac® JE 1500 Heat Pumps Exploded View

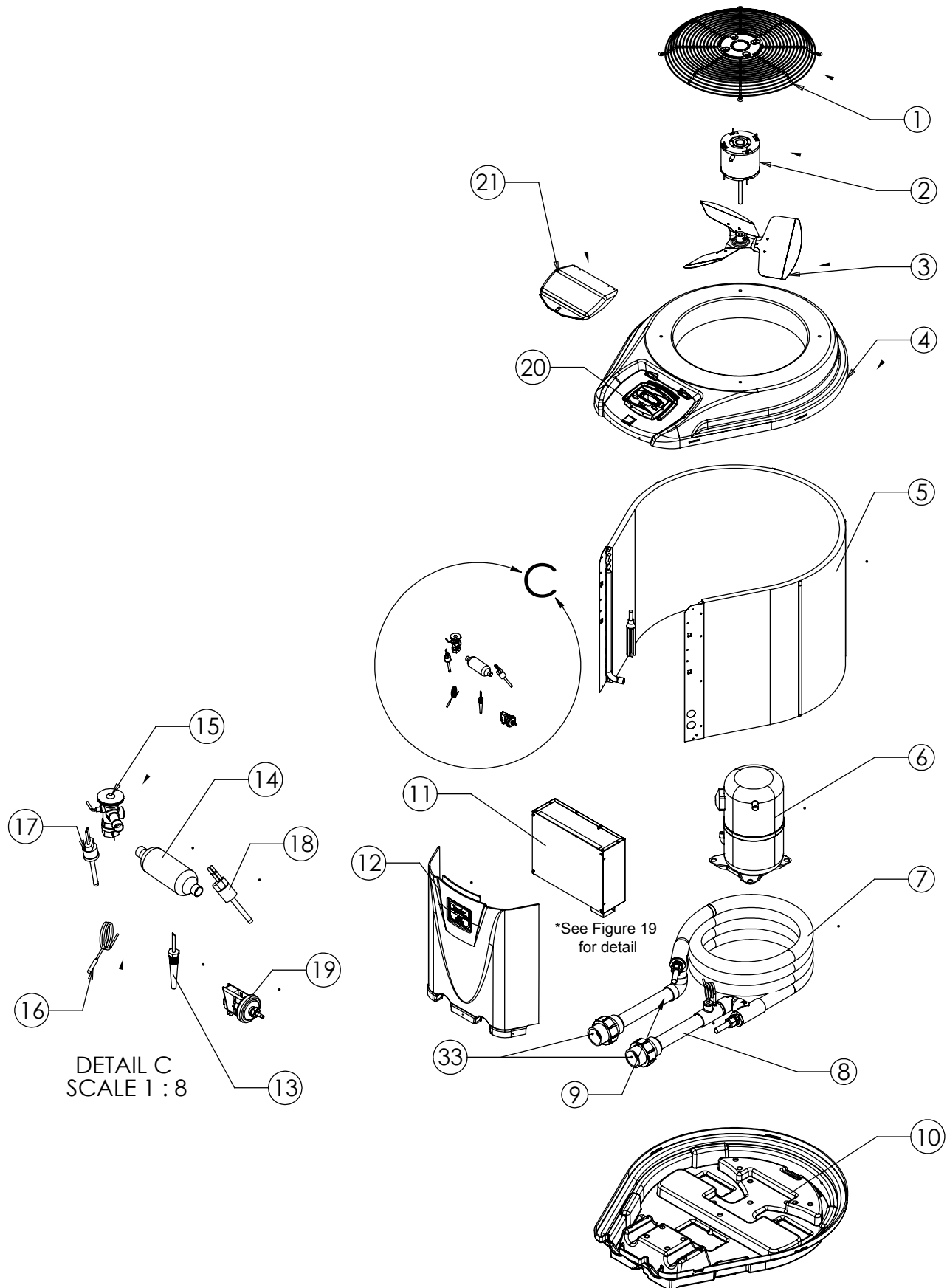


Figure 16. Zodiac JE Heat Pumps Exploded View (JE1500 Shown)

9.4 Zodiac® JE 2000, JE2500 & JE3000 Heat Pumps Exploded View

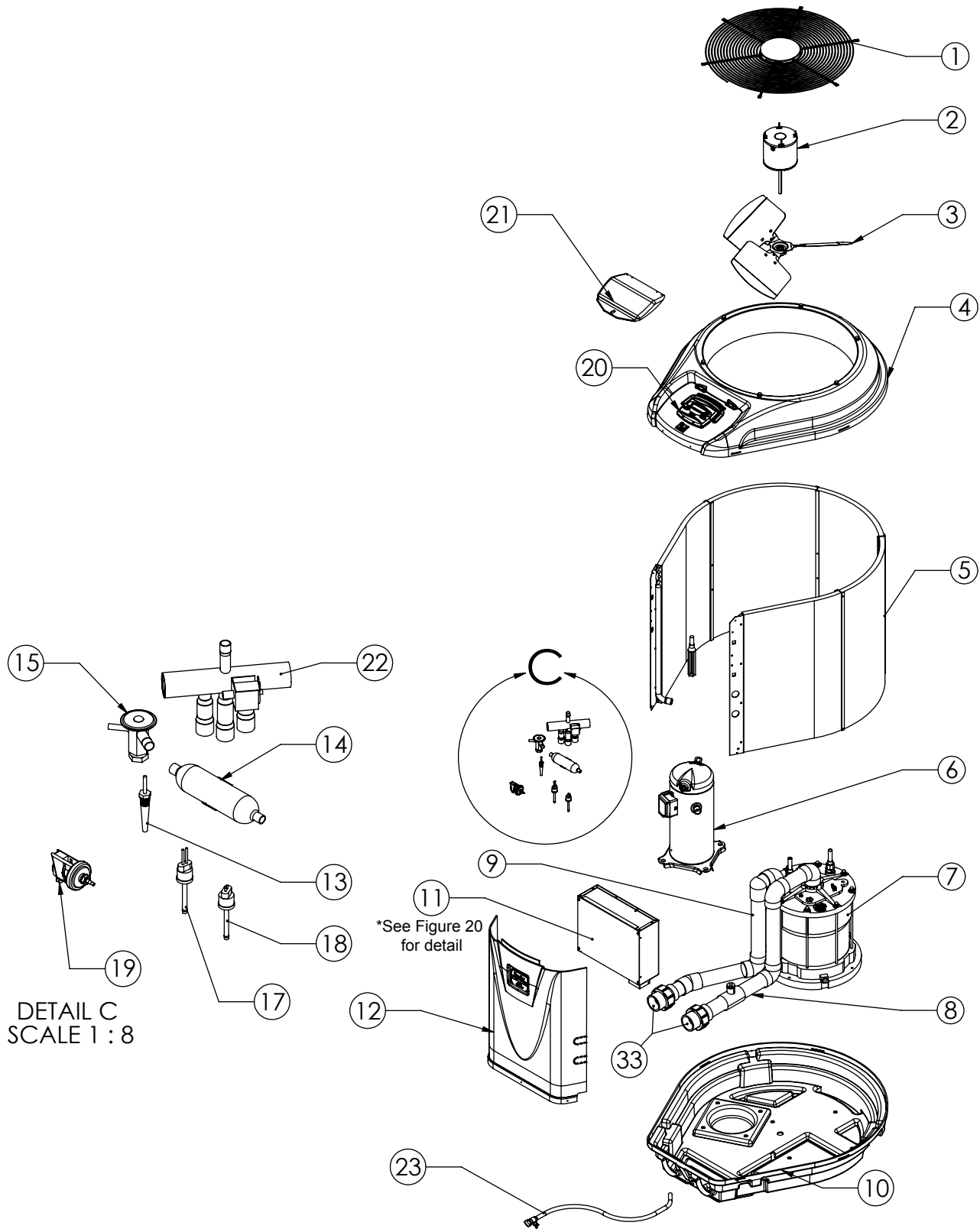


Figure 17. Zodiac JE Heat Pumps Exploded View (JE2000 Shown)

9.5 Zodiac® JE Single Phase Electric Box

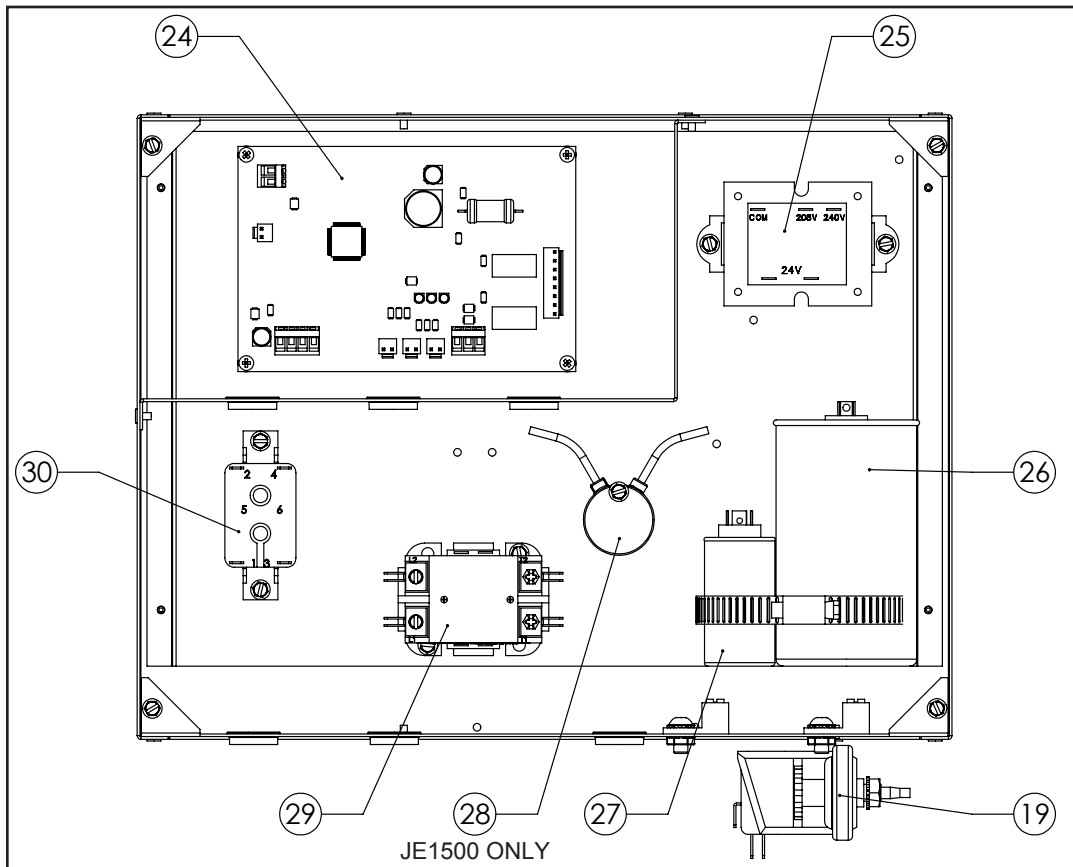


Figure 18. Zodiac JE Single Phase Electric Box

9.6 Zodiac® JE Three Phase Electric Box

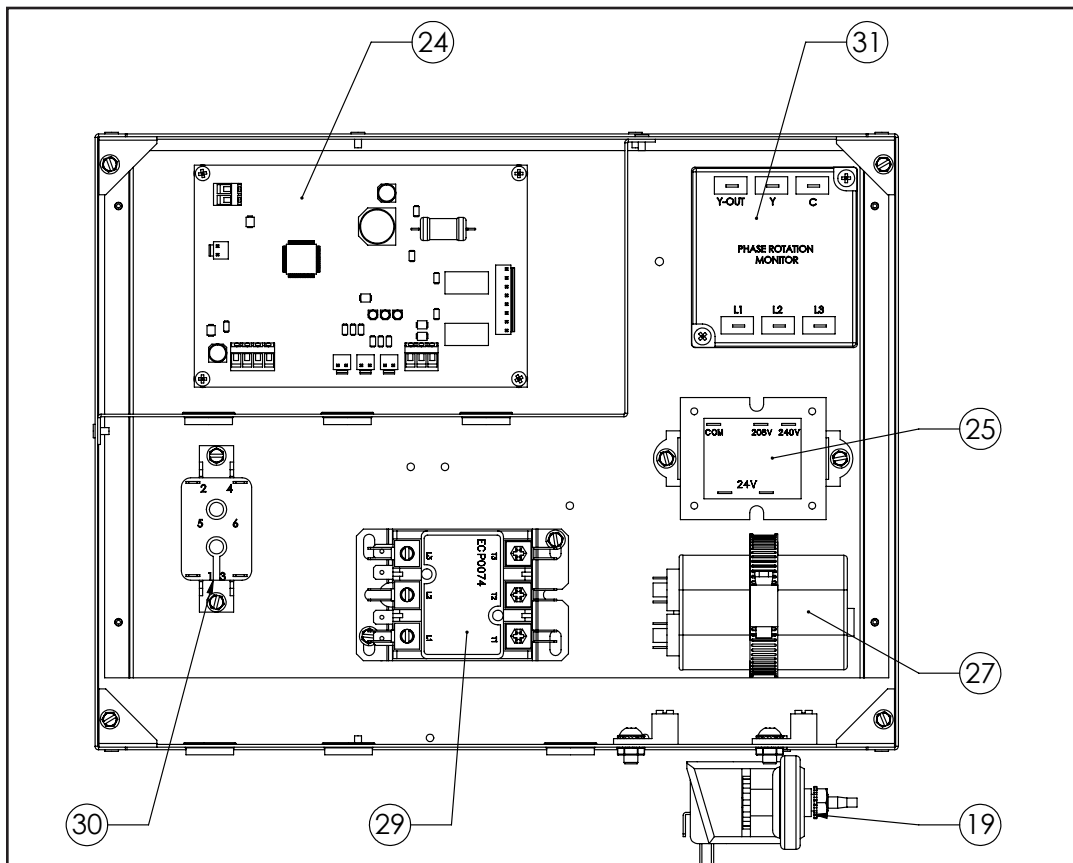


Figure 19. Zodiac JE Three Phase Electric Box

Zodiac Pool Systems, Inc.
2620 Commerce Way, Vista, CA 92081
1.800.822.7933 | www.ZodiacPoolSystems.com

Zodiac Pool Systems Canada, Inc.
2115 South Service Road West, Unit 3 Oakville, ON L6L 5W2
1-888-647-4004 | www.ZodiacPoolSystems.ca



ETL LISTED
CONFORMS TO
UL STD 1995
CERTIFIED TO
CAN/CSA C22.2 NO.236

ZODIAC® is a registered trademark of Zodiac International, S.A.S.U., used under license.
All trademarks referenced herein are the property of their respective owners.

©2013 Zodiac Pool Systems, Inc. H0408600 Rev B





MANUEL D'INSTALLATION ET DE FONCTIONNEMENT

English | Français | Español

Série Jandy® Pro Thermopompe JE



AVERTISSEMENT

POUR VOTRE SÉCURITÉ – Ce produit doit être installé par un technicien compétent en CVCA certifié pour la réparation et l'entretien de thermopompes dans l'administration où le produit sera installé lorsque de telles exigences locales ou provinciales sont édictées. Le technicien doit posséder les autorisations et se plier aux règlements relatifs à l'achat, à la manutention, au transport et à la récupération de réfrigérant R410A. Si aucune exigence locale, provinciale ou territoriale n'existe, l'installateur ou l'agent d'entretien doit être un professionnel avec suffisamment d'expérience dans l'installation et l'entretien d'équipement de piscine de manière à ce que les consignes du présent manuel puissent être respectées à la lettre. Avant d'installer ce produit, prière de lire et respecter toutes les consignes de mise en garde et les instructions comprises avec ce produit. Le non-respect des avertissements et des instructions pourrait causer des dommages matériels, des blessures graves ou même la mort. L'installation et/ou l'utilisation inappropriées peuvent créer un danger électrique indésirable pouvant provoquer des blessures graves, des dommages à la propriété ou même la mort. Une installation ou une utilisation inappropriée annuleront la garantie.

Table des matières

Section 1. Information générale	3	5.4	Configuration par l'utilisateur	20	
1.1	Introduction	3	5.5	Verrouillage du point de consigne	21
1.2	Information et sécurité du consommateur	3	5.6	Réglage du pressostat à eau	21
1.3	Garantie	4			
1.4	Codes et normes	4	Section 6. Entretien général	21	
1.5	Soutien technique	4	6.1	Composition chimique de l'eau	21
1.6	Matériaux nécessaires pour l'installation	4	6.2	Préparation à l'hiver	22
1.7	Spécifications	5	6.3	Démarrage au printemps	22
			6.4	Inspection et entretien	22
Section 2. Guide d'installation	5		Section 7. Services d'entretien et de réparation professionnels	23	
2.1	Information générale	5	7.1	Conception de la thermopompe	23
2.2	Exigences d'emplacement	5	7.2	Composants et utilisation de la thermopompe	23
Section 3. Raccordements d'eau	8		Section 8. Dépannage	25	
3.1	Disposition de la plomberie	8	8.1	Guide de dépannage	25
3.2	Raccordements d'eau à la thermopompe	8	8.2	Diagnostiques	25
3.3	Installation du clapet antiretour	8			
3.4	Installation d'appareils multiples	9	Section 9. Pièces de rechange	26	
Section 4. Raccordements électriques	9		9.1	Information de commande	26
4.1	Renseignements généraux	9	9.2	Liste des pièces de la thermopompe Zodiac JE	26
4.2	Alimentation principale	10	9.3	Diagramme éclaté des thermopompes Zodiac JE1500	27
4.3	Liaison électrique	15	9.4	Diagramme éclaté des thermopompes Zodiac JE2000	28
4.4	Télécommandes optionnelles	15	9.5	Boîtier électrique monophasé Zodiac JE	29
Section 5. Mode d'emploi	18		9.6	Boîtier électrique triphasé Zodiac JE	29
5.1	Précautions de démarrage initial	18			
5.2	Mode d'emploi du régulateur	18			
5.3	Fonctions d'utilisation d'unités hybrides avec refroidisseur en option	19			

Figures et tableaux

Figure 1.	Dimensions des thermopompes Zodiac® JE	7	Figure 13.	Raccordement de la thermopompe JE à l'alimentation	18
Figure 2.	Emplacements de pinces d'ancrage	9	Figure 14.	Panneau de commande principal	20
Figure 3.	Installation de pinces d'ancrage	9	Figure 15.	Hivernage de la thermopompe JE	22
Figure 4.	Disposition de la plomberie standard	11	Figure 16.	Diagramme éclaté des thermopompes Zodiac JE1500 (modèle JE1500 illustré)	27
Figure 5.	Plomberie pour les installations avec le système de chauffage	11	Figure 17.	Diagramme éclaté des thermopompes Zodiac JE2000 (modèle JE2000 illustré)	28
Figure 6.	Plomberie pour deux (2) thermopompes	12	Figure 18.	Boîtier électrique monophasé pour thermopompe Zodiac JE	29
Figure 7.	Plomberie pour quatre (4) thermopompes	12	Figure 19.	Boîtier électrique triphasé pour thermopompe Zodiac JE	29
Figure 8.	Schéma de câblage électrique monophasé pour les pompes JE	13	Tableau 1.	Fiche technique de la thermopompe JE	6
Figure 9.	Schéma de câblage électrique triphasé pour les pompes JE	14	Tableau 2.	Dégagements de la thermopompe	7
Figure 10.	Vue de face de la pompe JE	15	Tableau 3.	Plages optimales de la composition chimique de l'eau	23
Figure 11a.	Connexion à un sélecteur Pool-Off-Spa (piscine-arrêt-spa) à distance (Connexion à 3 fils)	16	Tableau 4.	Guide de dépannage de la thermopompe	24
Figure 11b.	Connexion à AquaLink RS ou TSTAT à distance (Connexion à 2 fils)	16	Tableau 5.	Diagnostiques de la thermopompe	25
Figure 12.	AquaLink® RS et thermopompe JE	17			

Section 1. Informations générales

1.1 Introduction

Ce guide fournit les instructions d'installation et d'utilisation pour les thermopompes de la série JE de Jandy Pro. Lire les présentes instructions d'installation et d'utilisation au complet avant de procéder à l'installation. Consulter Zodiac Pool Systems Inc ("Zodiac"), ou un représentant local pour toute question concernant cet équipement. Pour obtenir des copies supplémentaires de ce manuel, communiquer avec nous en composant le 800-822-7933.

Zodiac Pool Systems, Inc.
2620 Commerce Way
Vista, CA 92081 USA

La thermopompe JE de la série Jandy Pro reçoit le courant électrique d'une source extérieure et fournit un système de thermostat à commande numérique pour les combinaisons piscine et spa ou pour une facilité de préchauffage.

Cette thermopompe est spécifiquement conçue pour le chauffage de piscines et de spas à eau douce. Ne pas l'utiliser comme appareil de chauffage de service général. Communiquer avec votre fournisseur pour les produits Zodiac® correspondant à d'autres applications.

REMARQUE « Les piscines et spas à eau douce » comprennent les systèmes qui utilisent des unités de chlorinateur d'eau salée, telles que le système de purification d'eau Zodiac AquaPure® Electronic Chlorine Generator. S'assurer que la salinité de la piscine ou du spa n'excède pas 4500 ppm et que le débit d'eau est entre 30 et 70 gpm (110 à 265 lpm).

ATTENTION

L'installation et l'entretien doivent être effectués par un installateur qualifié ou une agence de service après-vente.

À l'installateur : après l'installation, ces instructions doivent être remises au propriétaire ou laissées sur ou à proximité de la thermopompe.



À l'utilisateur : ce manuel contient des informations importantes qui vous aideront à utiliser et à assurer l'entretien de cette thermopompe. Prière de conserver pour référence future.

1.2 Information et sécurité pour le consommateur

Les thermopompes de la série JE de Jandy Pro sont conçues et fabriquées pour fournir de nombreuses années de service sécuritaire et fiable lorsque installées, utilisées et entretenues conformément à ce guide et aux codes d'installation dont il fait référence dans les sections plus loin. À travers le guide, des avertissements de sécurité et des avis de précaution sont identifiés par le symbole « ⚠ ». Prendre soin de lire et de se conformer à tous les avertissements et avis de précaution.

Règles de sécurité des spas

⚠ AVERTISSEMENT

La « U.S. Consumer Product Safety Commission » lance l'avertissement qu'une température de l'eau élevée peut être dangereuse. Voir l'avis d'installation et de fonctionnement pour le réglage de la température.

⚠ AVERTISSEMENT

Les « Règlements de sécurité pour les spas » qui suivent sont recommandés par la « U.S. Consumer Product Safety Commission » et doivent être respectés lors de l'utilisation du spa.

⚠ AVERTISSEMENT

La température de l'eau dans les spas ne doit jamais dépasser 40 °C (104 °F). Trente-huit degrés Celsius (38 °C [100 °F]) est considéré sécuritaire pour un adulte en bonne santé. Des précautions particulières sont recommandées pour de jeunes enfants.

⚠ AVERTISSEMENT

La consommation de boissons alcoolisées avant ou pendant l'utilisation du spa peut entraîner la somnolence pouvant provoquer une perte de conscience et donc la noyade.

⚠ AVERTISSEMENT

Femmes enceintes, faites bien attention! Se baigner dans de l'eau à température supérieure à 38,5 °C (102 °F) peut causer des lésions fœtales pendant les trois premiers mois de grossesse (qui pourrait résulter en des lésions cérébrales ou des déformations chez l'enfant). Les femmes enceintes qui souhaitent utiliser un spa devraient s'assurer que la température de l'eau est inférieure à 38 °C (100 °F) au maximum.

⚠ AVERTISSEMENT

La température de l'eau devrait toujours être vérifiée à l'aide d'un thermomètre précis avant d'entrer dans le spa. Les réglages de température peuvent varier d'environ 1 °C (1 °F).

⚠ AVERTISSEMENT

Les personnes ayant des antécédents médicaux de maladie du cœur, de diabète, de problèmes circulatoires ou de pression sanguine élevée devraient consulter leur médecin avant d'utiliser un spa.

⚠ AVERTISSEMENT

Les personnes prenant des médicaments qui provoquent de la somnolence (par ex., tranquillisants, antihistaminiques ou anticoagulants) ne devraient pas utiliser des spas.

⚠ AVERTISSEMENT

L'immersion prolongée dans de l'eau chaude peut engendrer l'hyperthermie.

⚠ AVERTISSEMENT

L'hyperthermie survient lorsque la température interne du corps atteint un niveau de plusieurs degrés au-dessus de la température normale du corps de 37 °C (98,6°F). Les symptômes comprennent le vertige, l'évanouissement, la somnolence, la léthargie et l'augmentation de la température interne du corps. Les effets de l'hyperthermie comprennent :

- Absence de conscience d'un danger imminent
- Incapacité de sentir la chaleur
- Incapacité à reconnaître la nécessité de sortir du spa
- Inaptitude à quitter le spa
- Lésions fœtales chez la femme enceinte
- Perte de conscience entraînant un risque de noyade

Conseils d'économie d'énergie pour piscine

Il est important de prendre note qu'une thermopompe ne chauffera pas la piscine aussi vite qu'un chauffage de piscine à gaz ou électrique. Si on laisse l'eau de piscine refroidir considérablement, plusieurs jours seront nécessaires pour retrouver la température de baignade souhaitée. Pour utilisation de fin de semaine, il est plus économique de garder la température de l'eau de piscine à un niveau égal ou proche à la température de baignade désirée. Si on ne prévoit pas utiliser la piscine pendant une période prolongée, on peut alors complètement éteindre la thermopompe ou baisser le réglage de température sur le panneau de commande de plusieurs degrés pour minimiser la consommation de l'énergie.

Zodiac propose les recommandations suivantes pour aider à conserver l'énergie et à minimiser le coût d'utilisation de la thermopompe sans sacrifier le confort.

1. La Croix Rouge Américaine recommande une température d'eau maximale de 25 °C (78 °F). Utiliser un thermomètre à piscine précis. Une différence de 2 °C (4 °F), entre 26 °C et 28 °C (78 °F et 82 °F), diminuera significativement la consommation d'énergie.
2. Surveiller attentivement la température de l'eau de votre piscine pendant l'été. On peut réduire l'usage de la thermopompe grâce aux températures plus chaudes.
3. Pendant l'hiver ou lorsque vous êtes en vacances pendant plus d'une semaine, arrêter la thermopompe.
4. Trouver le réglage approprié sur la commande de température de la thermopompe et utiliser le verrouillage du point de consigne ou verrouiller le couvercle sur le contrôleur de la thermopompe pour empêcher d'autres ajustements.
5. Régler l'horloge de la pompe pour qu'elle démarre la pompe à 6 h du matin au plus tôt pendant la saison de chauffage de la piscine. C'est le moment où la perte de chaleur nocturne s'équilibre.
6. Si possible, protéger la piscine des vents persistants à l'aide de haies bien coupées ou autres aménagement paysager, cabines de plage ou clôtures.

7. En plus de fournir une caractéristique sécuritaire utile, une couverture de piscine automatique réduira la perte de chaleur, conservera les produits chimiques et réduira la charge sur les systèmes de filtrage.
8. L'utilisation d'une bâche solaire peut réduire la perte de chaleur engendrée par l'évaporation à la surface de l'eau.

1.3 Garantie

La thermopompe de la série JE de Jandy Pro est vendue avec une garantie limitée d'usine.

Faites toutes les réclamations de garantie auprès du revendeur agréé Zodiac® ou directement auprès de Zodiac. Les réclamations doivent inclure les numéros de série et de modèle de la thermopompe (cette information se trouve sur la plaque signalétique), la date d'installation et le nom de l'installateur. Les coûts d'expédition ne sont pas couverts par la garantie. La garantie ne couvre pas les dommages causés par un montage, une installation, une utilisation, un hivernage, une modification du terrain inappropriés ou une mauvaise protection électrique et la mise à la terre de l'unité. Tous changements à la thermopompe, à l'évaporateur, à l'échangeur de chaleur, au câblage ou l'installation inappropriée pourraient annuler la garantie.

1.4 Codes et normes

La thermopompe de la série JE de Jandy Pro est reconnue par l'ETL comme étant conforme à la dernière édition du « UL Standard for Safety for Heating and Cooling Equipment », UL 1995 et CSA C22.2 No. 236.

Toutes les thermopompes Zodiac doivent être installées conformément aux codes provinciaux du bâtiment et des installations tels qu'exigés par les autorités de tutelle.

Tous les codes locaux ont préséance sur les codes nationaux.

En l'absence de codes locaux, référez-vous à la dernière édition de la National Electrical Code® (NEC®) aux États-Unis et au Code électrique canadien (CEC®) au Canada pour l'installation.

1.5 Assistance technique

Consulter le service technique de Zodiac ou votre revendeur local Zodiac pour toute question ou tout problème impliquant les spécifications, l'installation et l'utilisation de votre équipement Zodiac. Un technicien expérimenté est disponible afin d'aider à obtenir le rendement et l'application appropriés des produits Zodiac. Pour un soutien technique, appeler le service technique de Zodiac au (800) 822-7933.

1.6 Matériel nécessaire pour l'installation

Les éléments suivants sont nécessaires et doivent être fournis par l'installateur pour toutes les installations de la thermopompe:

1. Connexions de plomberie de 2 po (5 cm).
2. Surface plane pour une vidange appropriée. (Voir le matériel pour connaître les degrés d'inclinaison requis)
3. Câble d'alimentation électrique convenable. Voir la plaque signalétique sur l'unité pour les spécifications électriques. Une boîte de jonction n'est pas nécessaire pour la thermopompe; Les connexions sont faites

à l'intérieur du compartiment électrique de la thermopompe. Un conduit peut être attaché directement à la gaine isolante de la thermopompe.

REMARQUE Un conduit flexible est recommandé pour la connexion des câbles électriques d'alimentation de la thermopompe afin que le panneau avant puisse être facilement enlevé durant l'entretien.

4. Un disjoncteur électrique qui interrompra toute alimentation à l'unité. L'interrupteur doit être à portée de vue de la thermopompe.
5. Un conduit étanche pour acheminer le câble d'alimentation électrique.

Recommandation : Zodiac recommande d'installer des robinets d'isolement au niveau des orifices d'entrée et de sortie des connexions d'eau pour faciliter l'entretien.

1.7 Spécifications

Convient pour un usage intérieur et extérieur. Les autorisations montrées au Tableau 2 doivent être observées.

Raccord tuyau d'eau/générateur de chaleur

Plastique PVC de 2 po (5 cm) (raccords compris)

Débit

Maximum	70 gpm (265 L/min)
Optimal	60 gpm (230 L/min)
Minimum	20 gpm (76 L/min)

Pression d'eau utile maximum

75 psi

Alimentation électrique

Spécifications de tension

Monophasé	230 VCA 60 Hz
Triphasé	230 VCA 60 Hz (Dépend du modèle)

Pression utile maximum du frigorigène

600 PSI

Dimensions

Voir Figure 1 pour un diagramme montrant les dimensions de la thermopompe et pour la dimension des connexions critiques.

Spécifications techniques

Voir le Tableau 1 de la fiche technique de la thermopompe de la série JE de Jandy Pro.

Section 2. Manuel d'installation

2.1 Information générale

Installer les thermopompes Zodiac® conformément aux procédures de ce guide, aux ordonnances et codes provinciaux et de la dernière édition du code fédéral approprié. (Voir Section 1.4, « Codes et normes ».) L'installation correcte est requise pour assurer un fonctionnement sécuritaire. Les exigences qui s'appliquent aux thermopompes Zodiac sont les suivantes :

1. Assemblage sur les lieux (au besoin).
2. Site d'installation et dégagements appropriés.
3. Ventilation suffisante.
4. Câblage électrique approprié.
5. Débit d'eau adéquat.

Ce guide fournit l'information nécessaire pour respecter ces exigences. Réviser toutes les procédures d'application et d'installation au complet avant de continuer l'installation.

2.2 Exigences d'emplacement

REMARQUE Les installations d'intérieur nécessitent des considérations particulières pour le drainage du condensat et la ventilation de l'air froid produit par la thermopompes. Appeler le service technique de Zodiac au (800) 822-7933.

MISE EN GARDE

Lorsque l'équipement de la piscine est situé sous la surface de la piscine, une fuite peut entraîner une importante perte d'eau ou une inondation. Zodiac ne peut être tenu responsable pour une telle perte en eau, inondation ou pour les dommages causés par l'une ou l'autre occurrence.

Éviter de placer les thermopompes dans des emplacements où elles peuvent provoquer des dommages par l'eau ou des fuites de condensat. Si ce n'est pas possible, installer un bac de récupération approprié pour recueillir et dévier toute fuite. Tous les critères donnés dans les sections suivantes reflètent des autorisations minimales. Cependant, chaque installation doit aussi être évaluée en tenant compte des conditions locales permanentes telles que la proximité et la hauteur des murs et la proximité avec les zones accessibles au public.

Dégagement

La thermopompe doit être placée de manière à offrir un dégagement de tous les côtés pour permettre l'entretien et l'inspection. Voir tableau 2.

60 cm (24 po) d'accès devant la thermopompe offrent suffisamment d'espace pour faire l'entretien.

Si la thermopompe doit être installée dans un garage ou sous un surplomb vertical, l'unité doit avoir un minimum de 1,5 m (5 pi) de dégagement par rapport au dessus de la thermopompe.

Aux É.-U., la thermopompe doit être installée à 1,5 m (5 pi) du mur intérieur de la piscine ou du spa à moins que la thermopompe soit séparée de la piscine ou du spa par une clôture solide de 1,5 m (5 pi) de hauteur ou autre barrière permanente.

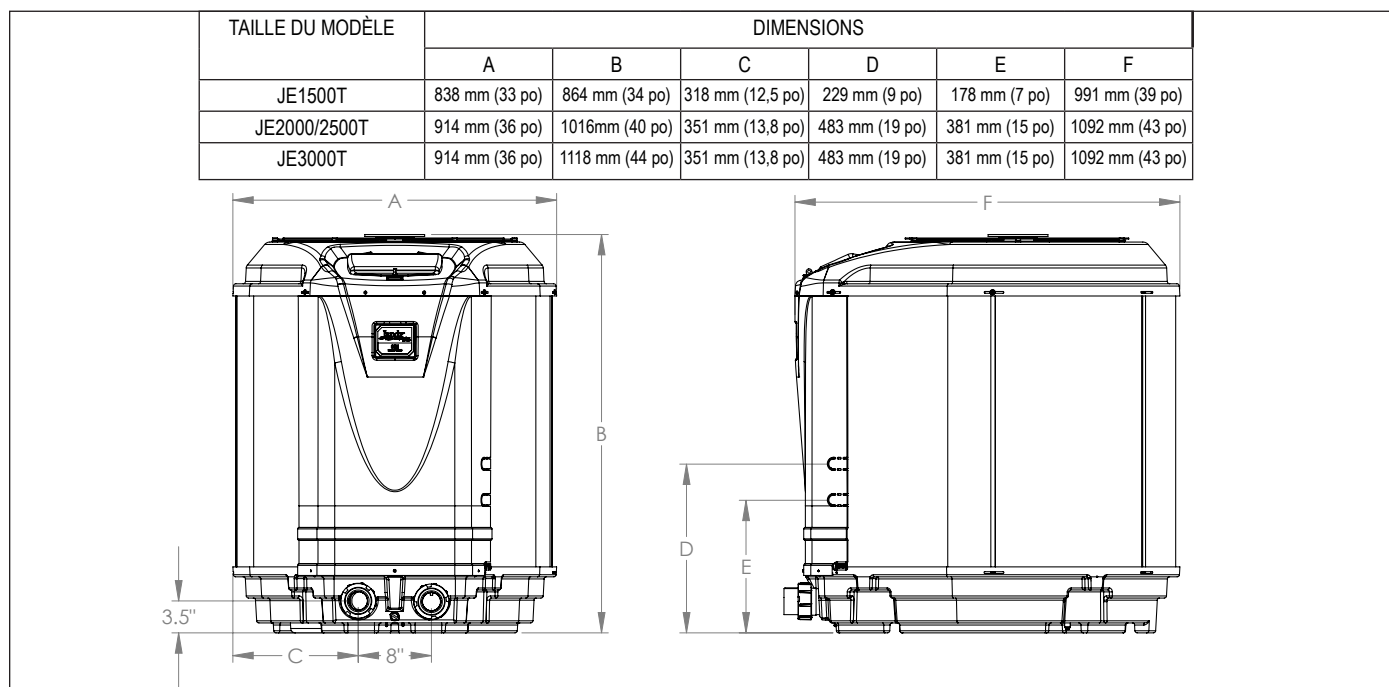
Tableau 1. Fiche technique de la thermopompe de la série JE de Jandy Pro

Modèle	JE1500T	JE2000T	JE2500T	JE2500T-3	JE3000T	JE3000TR	JE3000T3	JE3000TR3
TENSION	230 V/60 HZ	230 V/60 HZ	230 V/60 HZ	230 V/60 HZ/3	230 V/60 HZ	230 V/60 HZ	230 V/60 HZ/3	230 V/60 HZ/3
PUISSANCE ÉMISE*	72,000 BTU	108,000 BTU	119,000 BTU			137,000 BTU		
PUISSANCE ABSORBÉE*	3,83 kW	5,03 kW	5,34 kW			6,37 kW		
COP*	5.5	6	6.2			6.3		
PUISSANCE ÉMISE, CONDITIONS NOMINALES**	67,000 BTU	92,000 BTU	106,000 BTU			127,000 BTU		
COP, CONDITIONS NOMINALES**	5.2	5.7	5.6		6.0	5.9	6.0	5.9
PUISSANCE ÉMISE, TEMPÉRATURE D'AIR AMBIANT BASSE**	46,000 BTU	64,000 BTU	74,000 BTU			86,000 BTU		86,000 BTU
COP, TEMPÉRATURE D'AIR AMBIANT BASSE **	4.0	4.0	4.0		4.2	4.0	4.2	4.0
RLA (Intensité en fonctionnement)	19,87 A	30,77 A	32,05 A	23,21 A		32,05 A		25,00 A
LRA (Intensité à rotor bloqué)	105 A	178 A	148 A	164 A		185 A		164 A
COURANT ADMISSIBLE MINIMUM DU CIRCUIT	26,14 A	40,21 A	41,81 A	30,76 A		41,81 A		33,0 A
PROTECTION MAXIMUM CONTRE LA SURINTENSITÉ***	45 A	60 A	60 A	45 A		60 A		50 A
ÉCHANGEUR THERMIQUE	Titane							
COMPRESSEUR	Volute	Volute	Volute			Volute		Volute
Bollier	ABS							
FRIGORIGÈNE	64 oz, R410A	78 oz, R410A	78 oz, R410A	78 oz, R410A	118 oz, R410A	126 oz, R410A	118 oz, R410A	126 oz, R410A
ALARME DE HAUTE PRESSION DE FRIGORIGÈNE	600 PSI (réinitialiser à 460 PSI)							
REFRIGÉRANT LOW PRESSURE ALARM - HEATING UNITS (alarme de basse pression de frigorigène – unités de chauffage)	58 PSI (réinitialiser à 127 PSI)							
REFRIGÉRANT LOW PRESSURE ALARM - REVERSE UNITS (alarme de basse pression de frigorigène – unités inversés)	35 PSI (réinitialiser à 74 PSI)							
ALARME DE DÉBIT D'EAU TROP FAIBLE	114 l/min (20 GPM)							
HAUTEUR MAXIMALE IMMERGÉE	10 pi sous le niveau de la piscine							
HAUTEUR MINIMALE AU-DESSUS DU NIVEAU DE L'EAU	1,5 m au-dessus du niveau de la piscine							
DÉBIT OPTIMAL DE L'EAU	114 l/min (30 GPM)	114 l/min (42 GPM)	114 l/min (48 GPM)	114 l/min (48 GPM)	114 l/min (57 GPM)	114 l/min (57 GPM)	114 l/min (57 GPM)	114 l/min (57 GPM)
DÉBIT MINIMUM DE L'EAU	114 l/min (20 GPM)							
DÉBIT MAXIMUM DE L'EAU	114 l/min (70 GPM)							
DÉBIT DE L'AIR	100 m³/min (3600 pt³/min)							
DIFFÉRENTIEL DE TEMPÉRATURE DE L'EAU (DELTA T) (DELTA T)	Réglable de 1 à 5 °F							
TAILLE DU RACCORD	5 cm (2 po)							
POIDS	80 kg (175 lb)	100 kg (220 lb)	101 kg (223 lb)	101 kg (223 lb)	103 kg (228 lb)	104 kg (230 lb)	103 kg (228 lb)	104 kg (230 lb)

* Conditions d'essai : Air à 80 °F, 80 % d'humidité relative, eau à 80 °F, Hors du champ de la norme AHRI Standard 1160 (I-P)

** Évalué en accord avec la norme AHRI Standard 1160 (I-P)

*** Protection de surintensité maximale fait référence au calibre maximal permis d'un disjoncteur. Si cette valeur n'est pas un calibre de disjoncteur standard, utiliser un disjoncteur standard de calibre inférieur suivant. Le calibre de disjoncteur ne doit pas être plus petit que la valeur minimale du courant admissible.

Figure 1. Dimensions des thermopompes de la série JE de Jandy Pro

Dans les installations canadiennes, la distance minimum à respecter du mur intérieur de la piscine ou du spa est de 3 m (environ 10 pi).

Massif d'équipement

Placer la thermopompe sur une surface plane légèrement inclinée telle que du ciment ou une dalle fabriquée (massif). Cela permet un drainage de la condensation et de l'eau de pluie à partir de la base de l'unité. Si possible, le massif devrait être placé au même niveau ou légèrement plus haut que le massif d'équipement du système de filtrage.

REMARQUE Vérifier que le massif est incliné de pas plus que 6,4 mm par chaque 30 cm (¼ pouce par pied) vers l'extrémité avant du compresseur de la thermopompe. Incliner la dalle de l'arrière à l'avant de 6,4 mm pour chaque 30 cm maximum et aplanir d'un bord à l'autre.

Condensation et drainage

La condensation surviendra dans le serpentin évaporateur pendant le fonctionnement de l'unité et drainera à un rythme équilibré, généralement 3 à 5 gallons (11,4 à 18,9 litres) par heure selon l'humidité et la température de l'air ambiant. Plus les conditions ambiantes sont humides plus il y aura de production de condensation. Garder l'emplacement de l'orifice de drainage sur la base de l'unité libre des débris.

Si la thermopompe est installée à l'intérieur*, il faut fournir des moyens pour éliminer la condensation.

* L'installation à l'intérieur nécessite une consultation avec le fabricant

Gicleurs à gazon

Empêcher les têtes des gicleurs à gazon d'asperger la thermopompe pour empêcher la corrosion et les dommages. Utiliser un déflecteur si nécessaire.

Tableau 2. Dégagements de la thermopompe

Vue latérale de la thermopompe	Dégagements minimum pour l'utilisation		Dégagements recommandés pour la facilité d'entretien	
	Pouces	Centimètres	Pouces	Centimètres
Avant	24	60	36	90
Arrière	12	30	24	60
Gauche	12	30	24	60
Droit	12	30	24	60
Supérieur	60	150	60	150

REMARQUE : Les dégagements du tableau 2 représentent des valeurs testées par le fabricant. Elles sont fournies comme valeurs minimales. Si des codes locaux ou nationaux énoncent des valeurs différentes de celles indiquées au Tableau 2, utiliser la valeur la plus élevée pour assurer un fonctionnement sécuritaire et correct.

Écoulement du toit

Vérifier que la thermopompe ne se trouve pas à un endroit où de grandes quantités d'eau s'écoulent du toit sur l'unité. Les toits très inclinés sans gouttières permettent à de grandes quantités d'eau de pluie mélangée à des débris du toit d'arriver sur l'unité. Une gouttière ou un tuyau de descente d'eau pluviale peut être nécessaire pour protéger la thermopompe.

Installation de pinces d'ancrage

En Floride, les codes du bâtiment exigent que les thermopompes soient arrimées au massif ou à la plateforme d'équipement pour supporter les fortes pressions éoliennes générées pendant les ouragans. Des exigences similaires peuvent exister dans d'autres juridictions. Prière de vérifier les codes locaux pour plus de détails.

Cette thermopompe vient avec des pinces d'ancrage conçues pour maintenir l'unité contre le massif d'équipement pendant les conditions de vents forts. L'installation des pinces d'ancrage est recommandée dans toutes les installations de Floride (référence Florida Building Code, Mechanical Section 301.13).

Pour installer les pinces d'ancrage :

1. Vérifier que la thermopompe est à son emplacement permanent sur le massif d'équipement.
2. Placer les pinces à la base de la thermopompe dans les emplacements indiqués à la Figure 2.
3. Ajuster le crochet de chaque pince sur la lèvre du panneau de la base de la thermopompe. Le crochet devrait s'ajuster entre la lèvre du panneau de la base et la garde du serpentín évaporateur (voir Figure 3).
4. Marquer la position de l'orifice dans chaque pince sur le massif d'équipement.
5. Percer un trou dans le ciment en vous servant d'un foret de maçon, d'un diamètre tel qu'indiqué par l'ancrage en béton, dans chacune des marques du massif d'équipement. Le trou devrait faire environ 4,4 cm (1 ¾ po) de profondeur.
6. Insérer un boulon d'ancrage dans chacun des trous. Vérifier que les ancrages sont complètement ajustés dans les trous.
7. Positionner les pinces d'ancrage de manière à ce que les trous dans les pinces soient au dessus des boulon d'ancrages. Vérifier que les crochets de pince soient sur la lèvre de la base de la thermopompe (voir Figure 3).
8. Insérer un boulon d'ancrage à travers chaque pince dans l'ancrage et serrer pour sécuriser la pince et la thermopompe contre le massif d'équipement.

Section 3. Raccordements d'eau

3.1 Disposition de la plomberie

La Figure 4 illustre la disposition classique de la plomberie avec une unité simple de thermopompe. En suivant le diagramme de la droite vers la gauche, la séquence de plomberie est la suivante :

Piscine > Pompe à Piscine > Filtre > Thermopompe > Clapet de non-retour > Boucle chimique > Chlorateur > Piscine

REMARQUE Pour les installations normales, ne pas installer de robinet de sectionnement ou tout autre restriction variable dans la tuyauterie de l'eau entre la sortie de la thermopompe et la piscine/spa.

L'arrangement des composants du système de la piscine autrement qu'illustré dans les diagrammes suivants peut affecter le fonctionnement du pressostat à eau de la thermopompe. L'emplacement de la thermopompe au-dessus ou en dessous de la surface de l'eau de piscine peut aussi affecter le fonctionnement du pressostat. En général, le pressostat peut être réglé pour accommoder cet effet si les raccordements d'eau de la thermopompe sont situés à moins de 10 pieds (3 m) sous la surface de l'eau de piscine ou à moins de 5 pieds (1,5 m) au-dessus. Voir les instructions pour le réglage du pressostat (Section 5.6) dans la section démarrage de la thermopompe de ce guide pour de plus amples renseignements. Si la thermopompe est installée à l'extérieur de ce périmètre, il pourrait s'avérer nécessaire

d'installer un régulateur de circulation d'eau en amont du système de plomberie de la thermopompe. Appeler le Service technique de Zodiac au (800) 822-7933 pour de plus amples renseignements.

Prendre note que lorsque l'équipement de piscine est situé en dessous de la surface de la piscine, une fuite peut entraîner une importante perte d'eau ou une inondation. Zodiac ne peut être tenue responsable pour une telle perte en eau ou inondation ou pour des dommages causés par l'une ou l'autre occurrence.

3.2 Raccordements d'eau à la thermopompe

Des bouchons d'expédition ont été installés dans les ports d'entrée et de sortie de la thermopompe à l'usine. Avant d'installer tout élément de plomberie, enlever les bouchons d'expédition. De l'eau filtrée est envoyée à l'entrée située sur le côté droit du panneau avant de la thermopompe. De l'eau chaude s'écoule à travers la sortie située sur le côté avant gauche de la thermopompe. Des raccords de 2 pouces (5 cm) sont fournis.

De la tuyauterie en plastique (PVC de Catégorie 40) devrait être connectée à la thermopompe. Les raccords, fournis avec l'unité, s'accordent à un tuyau en PVC de 2 pouces (5 cm).

MISE EN GARDE

Vérifier si les exigences en matière de débit et de renouvellement de l'eau de la piscine peuvent être respectées si d'autres thermopompes doivent être installées en vertu des restrictions de la plomberie.

3.3 Installation du clapet antiretour

AVERTISSEMENT

Un clapet antiretour peut interférer avec le bon fonctionnement de certains produits à mécanisme de déclenchement de l'aspiration à vide (SVRS). Afin d'éviter tout risque de piégeage, des blessures graves ou un décès, s'assurer de consulter le manuel d'entretien et d'emploi de votre produit SVRS précis avant d'installer le clapet antiretour.

La thermopompe doit être protégée du retour par siphonage de l'eau. S'il y a le moindre risque de retour par siphonage, installer un clapet antiretour entre la piscine et l'entrée de la pompe à filtre.

Lorsqu'une conduite de distribution automatique de produit chimique est installée dans la plomberie, elle doit être installée en aval de la thermopompe. Un clapet antiretour doit être installé entre la thermopompe et la conduite de distribution automatique de produit chimique pour empêcher le retour par siphonage d'eau saturée en produit chimique dans la thermopompe où elle endommagera les composants.

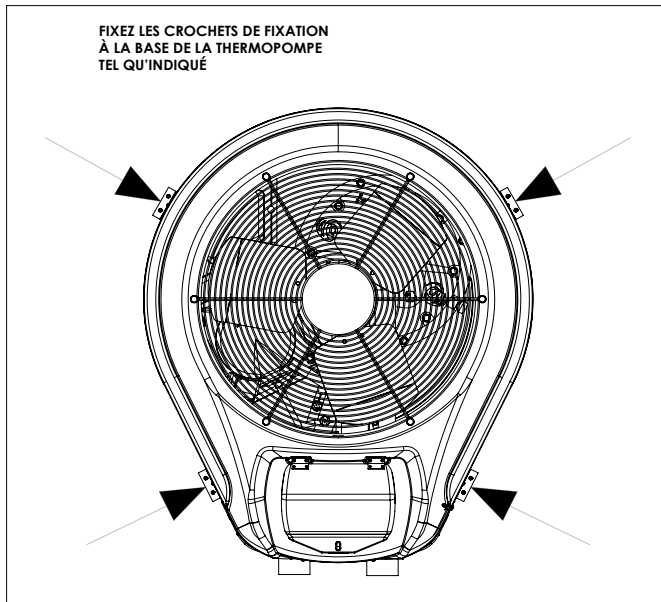


Figure 2. Anchor Clamp Positions

3.4 Positions des pinces d'ancrage

Combinaison thermopompe et chauffage

Dans certaines régions du pays, il pourrait être plus économique de faire fonctionner une thermopompe pendant les mois les plus chauds et un chauffage à gaz durant les mois les plus froids.

Dans certains cas, il pourrait être souhaitable de faire fonctionner une thermopompe en mode « Refroidissement » pendant la partie la plus chaude de l'année et en chauffage pendant les mois plus frais.

La thermopompe Zodiac® peut être en circuit avec un chauffage à gaz ou électrique ou toute combinaison de sources de chaleur y compris solaires. Toute source de chaleur doit être montée en série pour fonctionner convenablement et efficacement.

La Figure 5 illustre une disposition de plomberie recommandée pour une combinaison de système de chauffage de thermopompe, d'appareil de chauffage, de chauffage solaire pour une combinaison de piscine ou de spa. Votre système pourrait ne pas contenir toutes ces composantes, mais la plomberie de base s'appliquera en éliminant la composante dans l'illustration qui ne fait pas partie de votre système.

Raccordements multiples de thermopompes

Toute plomberie sur des installations de thermopompes multiples doit être faite en parallèle (voir Figures 6 et 7). Un même écoulement d'eau à chaque thermopompe est important pour un fonctionnement optimal.

REMARQUE Il se peut qu'il soit nécessaire de configurer le pressostat à eau si une unité est installée en dessous du niveau de l'eau. Voir Section 5.6 pour les détails sur quand et comment régler le pressostat.

REMARQUE Chaque thermopompe permet un débit maximum de 70 gpm (265 L/min) et nécessite un débit minimum de 20 gpm (76 L/min).

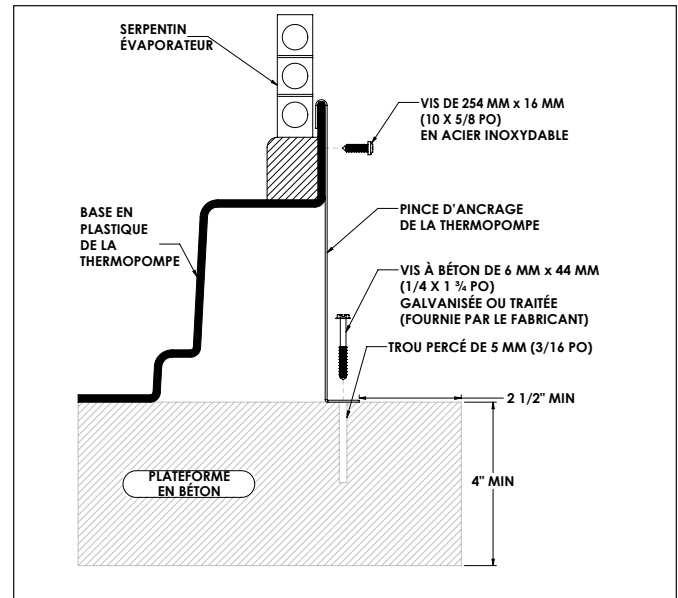


Figure 3. Installation de pinces d'ancrage

Section 4. Raccordements électriques

4.1 Information générale

Les raccordements de câblage doivent être faits exactement comme illustrés dans le schéma de principe qui se trouve à l'intérieur du compartiment d'accès à la thermopompe (voir Figure 8 pour un câblage électrique à phase simple et Figure 9 pour le câblage électrique triphasé). La thermopompe doit inclure les moyens de mise à la terre et de connecter. Il y a une cosse de connexion sur le côté droit de la thermopompe où un câble de connexion doit être fixé.

4.2 Alimentation principale

Le câblage électrique doit être conforme au National Electric Code® (NEC®), ANSI/National Fire Protection Association (NFPA 70®) aux É.-U. et au Canada, au Code électrique canadien (CSA® C22.1), à moins que le code local prévoio d'autres exigences.

Les thermopompes sont câblées en usine et prêtes à fonctionner avec du 230 V c.a., 60 Hz monophasé ou triphasé selon le modèle. Voir la plaque signalétique pour les spécifications électriques. Tout le câblage doit être effectué par un électricien certifié.

Voici les étapes du raccordement de la thermopompe de la série JE de Jandy Pro à la source électrique correspondant à la plaque signalétique :

1. Prendre soin de couper l'alimentation électrique au circuit de la pompe.
2. Retirer les cinq (5) vis qui attachent le panneau d'entretien et d'accès à l'unité de la thermopompe (voir Figure 10).
3. Retirer le couvercle frontal de la boîte de jonction.
4. Les câbles électriques d'alimentation doivent être acheminés à travers des conduits étanches. Passer les fils et le conduit par le trou désigné pour les câbles à haute tension du côté droit de la thermopompe. Effectuer les raccords en dessous de la boîte de jonction en tôle. Voir la Figure 10 pour connaître l'emplacement du trou.
5. Connecter les câbles aux bornes du principal contacteur tel qu'illustré dans le schéma de principe. Référez-vous aux Figures 8 et 9.
6. Connecter le fil de terre à la cosse de terre fournie dans le compartiment électrique .
7. Remettre le couvercle sur la boîte de jonction.
8. Remettre le panneau d'entretien et d'accès et remettre les vis pour le tenir en place.
9. Brancher un câble de liaison électrique en cuivre de calibre 8. (au Canada, il ne doit pas être plus petit qu'un calibre 6 (13,3 mm²) à la cosse de connexion sur le côté droit de la thermopompe.

AVERTISSEMENT

DANGER DE CHOCS ÉLECTRIQUES. Cette thermopompe contient des câbles électriques haute tension. Le contact avec ces fils peut causer des blessures graves voire la mort. Débrancher le circuit électrique avant de raccorder la thermopompe

MISE EN GARDE

Placer des étiquettes sur tous les câbles avant de les déconnecter pour effectuer l'entretien des commandes. Les erreurs de câblage peuvent causer un fonctionnement incorrect et dangereux. Vérifier que l'unité fonctionne bien après l'avoir réparée.

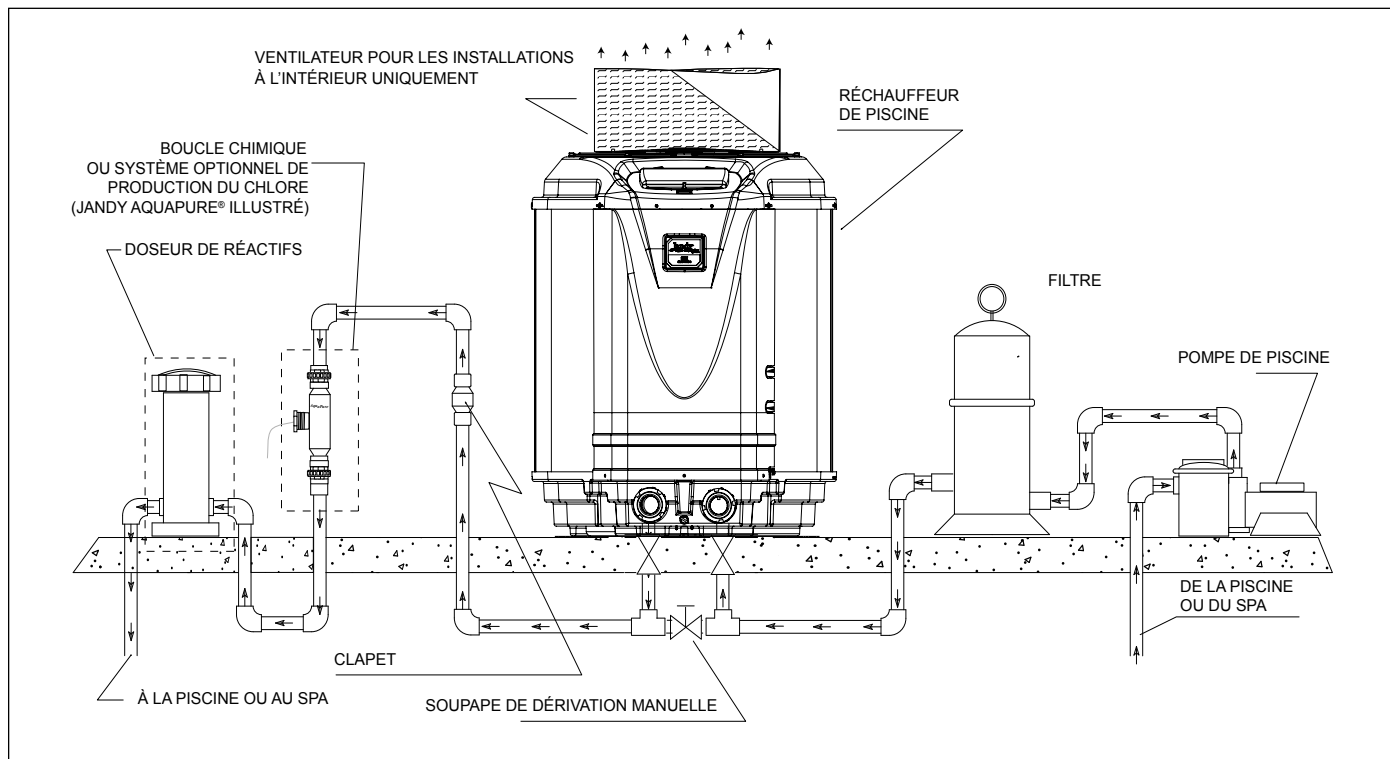


Figure 4. Disposition de la plomberie standard

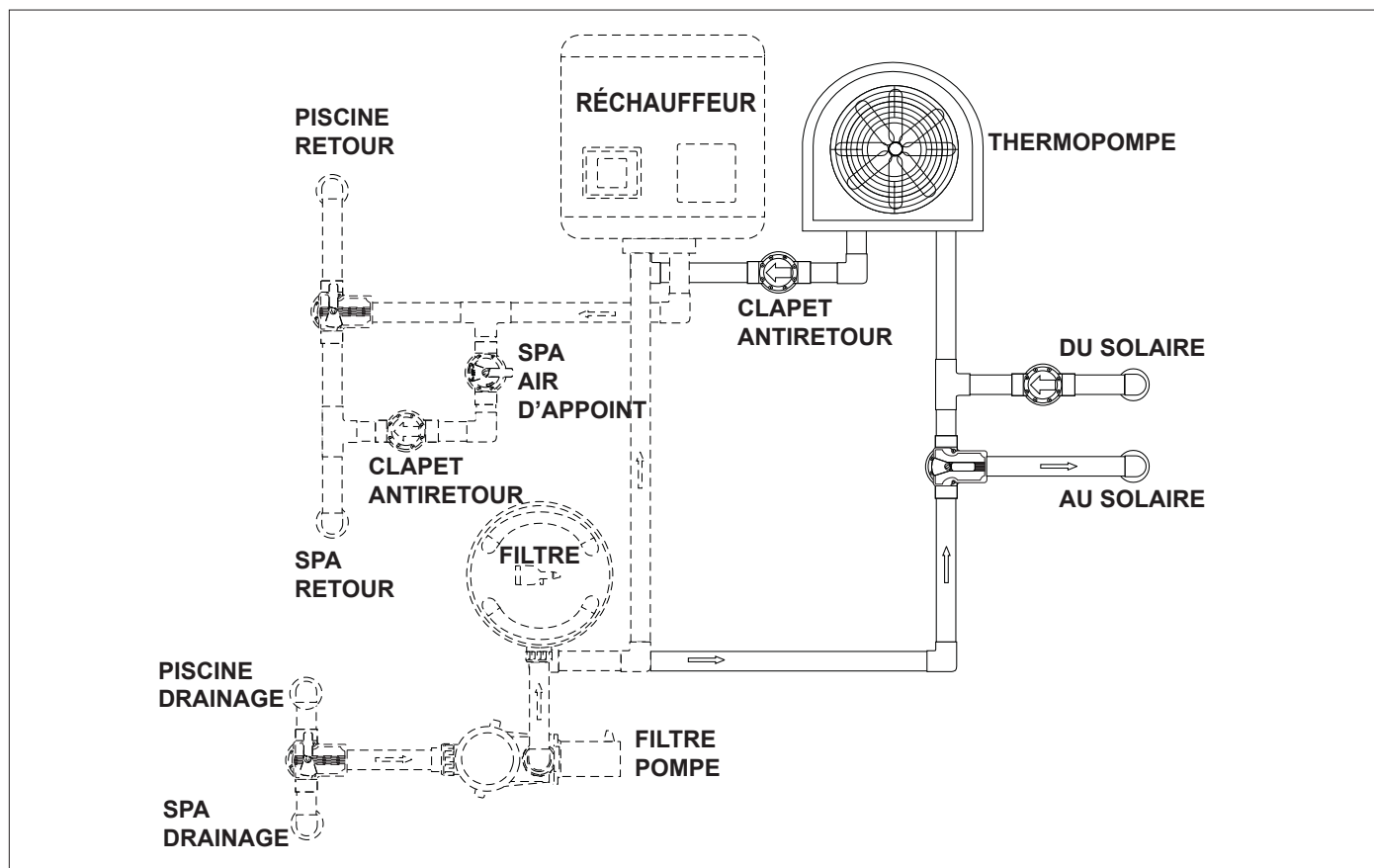


Figure 5. Plomberie pour les installations de système de chauffage

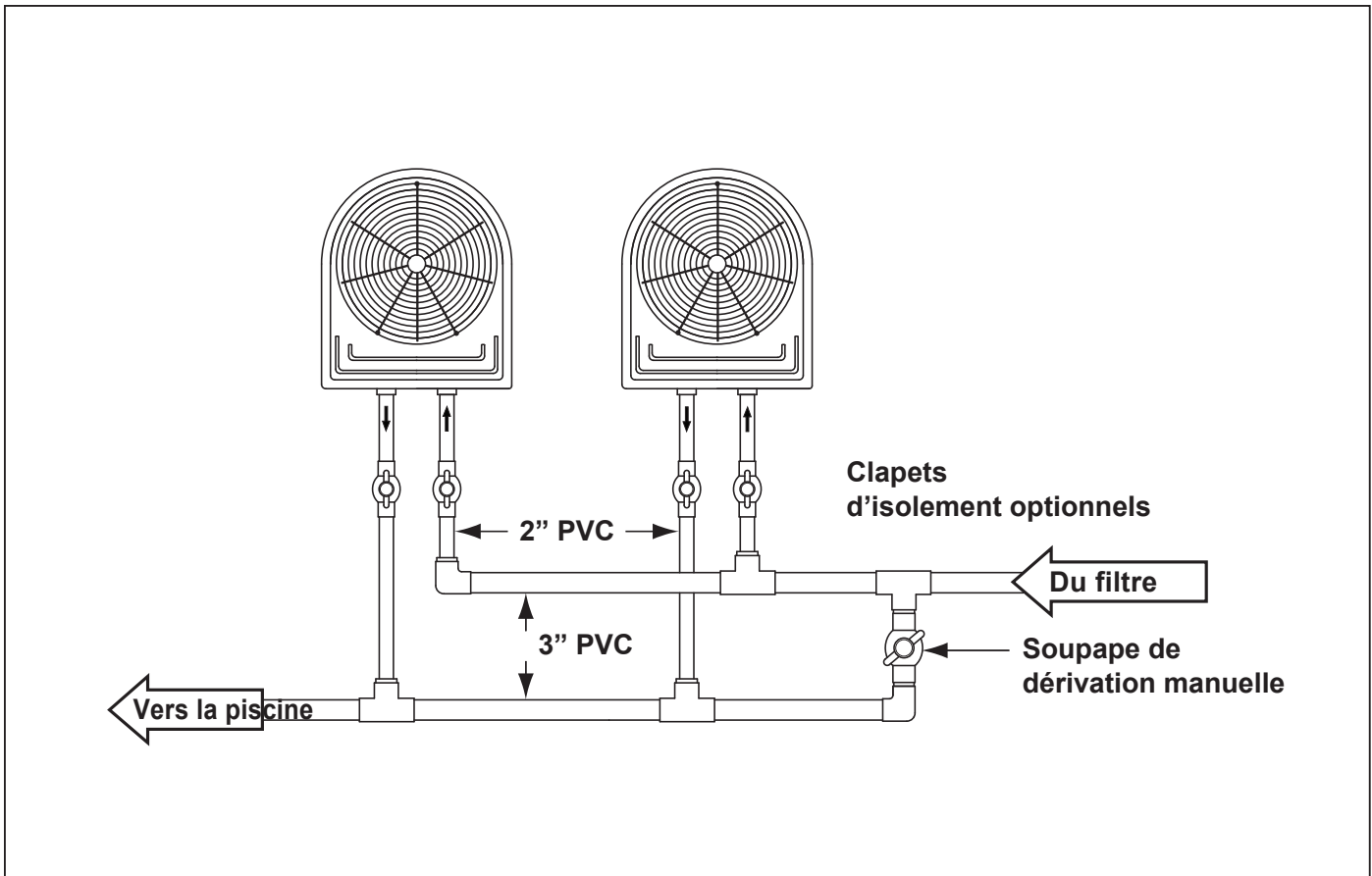


Figure 6. Agencement de plomberie de pompe de chauffage deux (2)

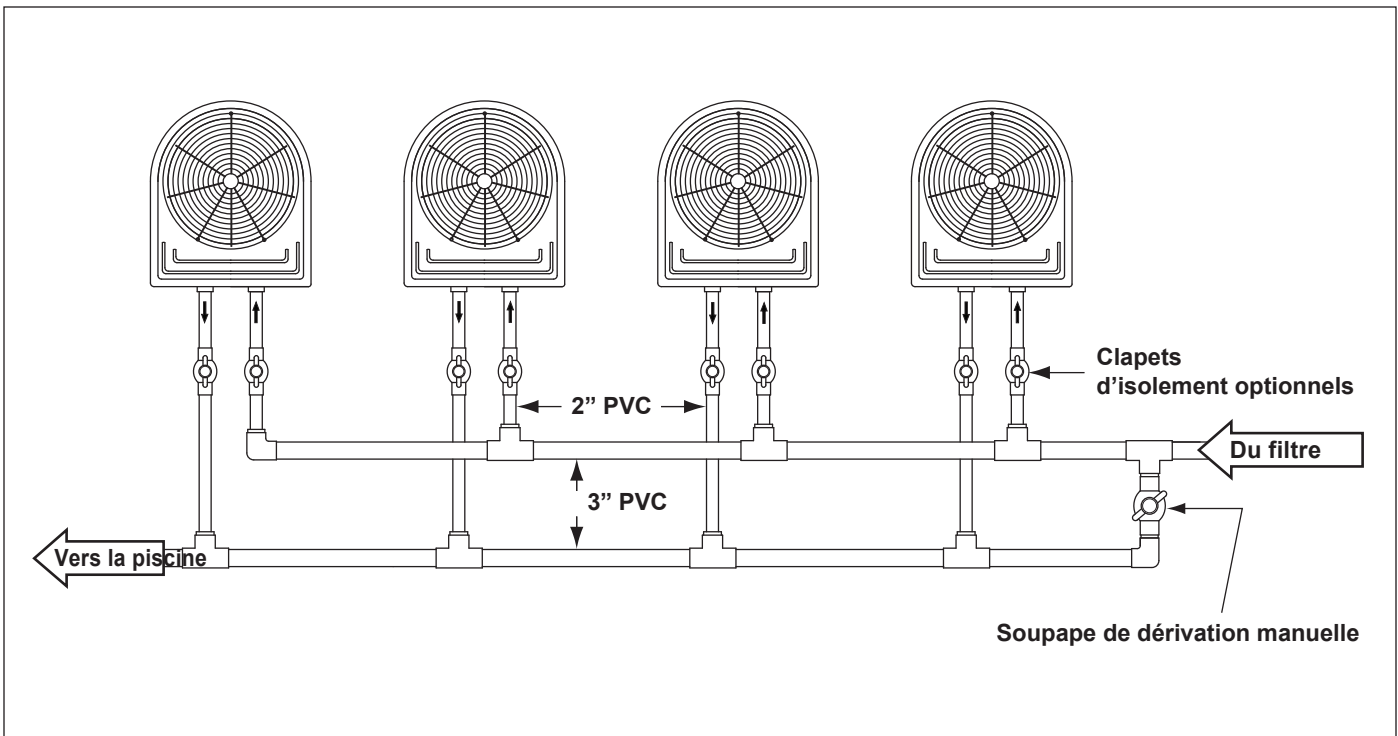


Figure 7. Disposition de plomberie à quatre (4) thermopompes

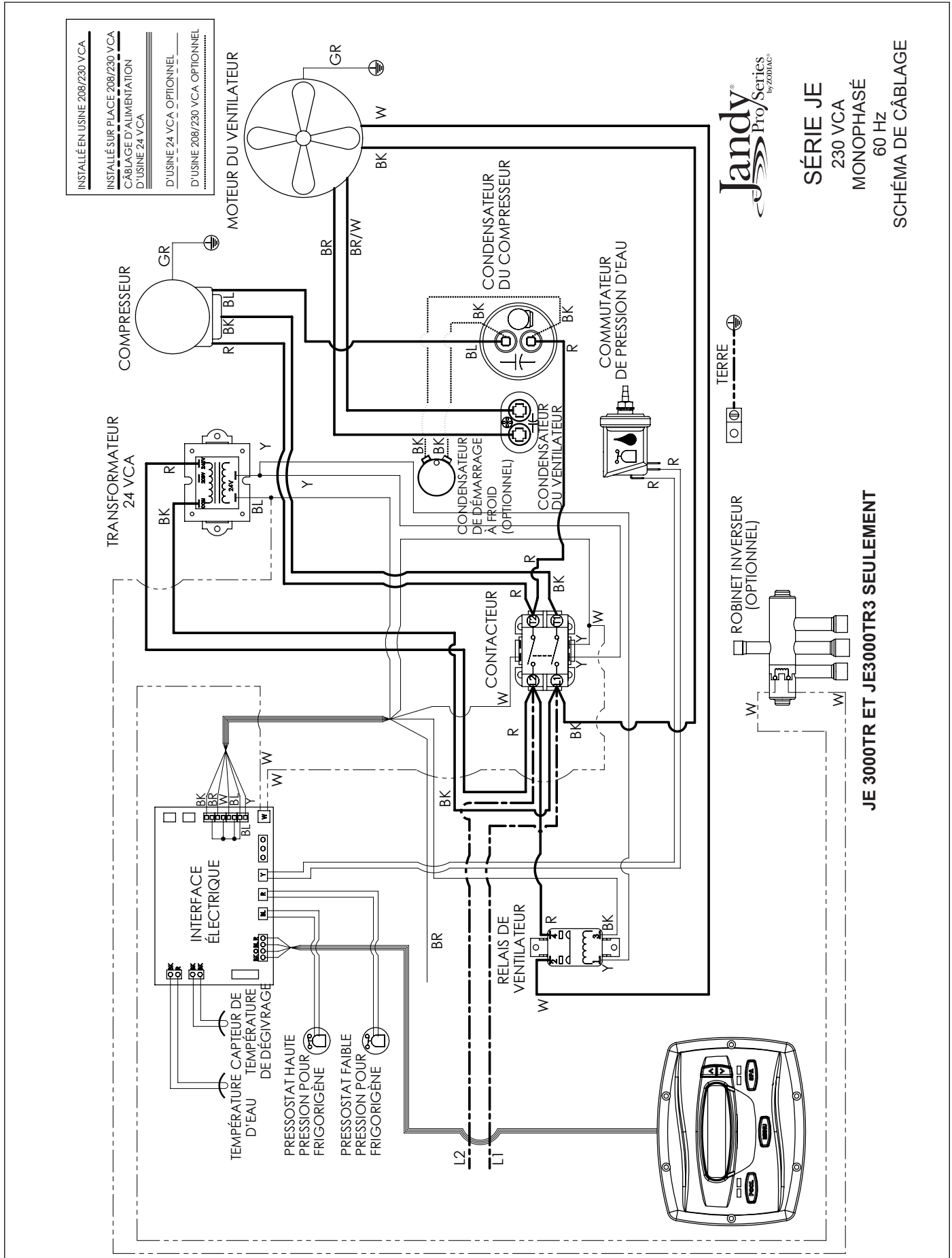


Figure 8. Diagramme de câblage électrique monophasé pour JE

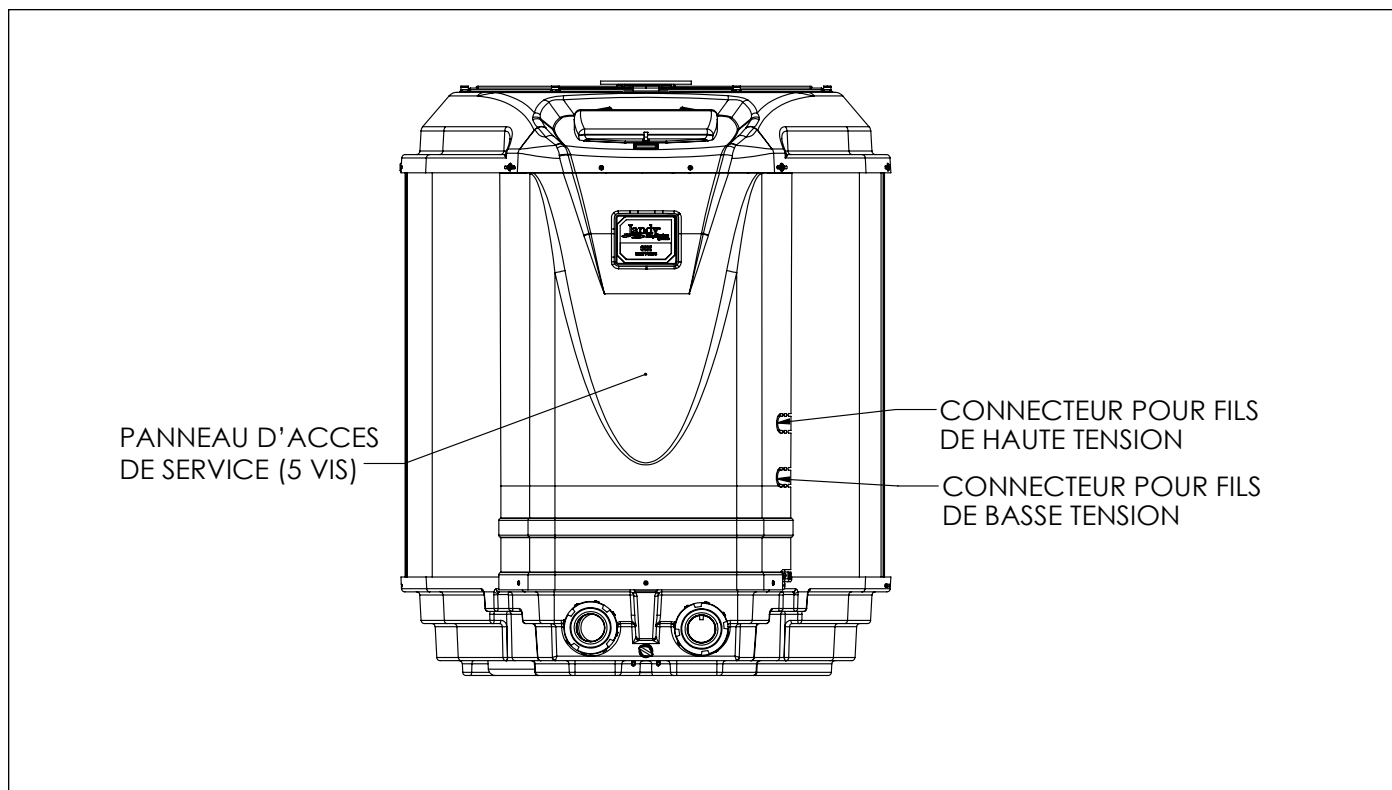


Figure 10. Vue de face de la thermopompe de la série JE de Jandy Pro

4.3 Liaison électrique

⚠ MISE EN GARDE

Ce réchauffeur doit être raccordé à une grille de fixation par un fil de cuivre massif d'un diamètre supérieur à un calibre 8 (calibre 6 au Canada).

Le National Electrical Code® et la plupart des codes des É.-U. exigent que toutes les composantes métalliques d'une structure de piscine, y compris l'armature d'acier, les pièces métalliques et l'équipement de mise à la terre mentionné ci-dessus, soit liées électriquement ensemble à l'aide d'un conducteur solide en cuivre d'au moins un calibre 8. La thermopompe, avec les pompes et autre équipement de piscine, doit être branchée à ce réseau de liaison électrique. Une cosse d'attache se trouve du côté droit de la thermopompe pour assurer que cette condition soit remplie.

4.4 Télécommandes optionnelles

Le câblage électrique doit être conforme à tous les codes et ordonnances applicables fédéraux et provinciaux.

Connexion à un sélecteur Pool-Off-Spa (Piscine-Arrêt-Spa) à distance (Connexion à 3-fils)

Installer le sélecteur Pool-Off-Spa à distance

1. Mettre hors tension à la fois le système de commande de la piscine et du spa et l'unité de thermopompe.
2. Retirer les quatre (4) vis qui attachent le tableau d'entretien et d'accès à l'unité de thermopompe et le couvercle de la boîte de jonction (voir Figure 10).

3. Acheminer les câbles du système de commande de la piscine et du spa jusqu'à la connexion de conduit étiquetée « connexion de basse tension », situé du côté inférieur droit de la thermopompe (Voir Figure 10).
4. Connecter le câblage du système de commande de la piscine et du spa à la borne de la commande à distance de la thermopompe (voir Figure 11a).
5. Rétablir l'alimentation à la thermopompe et au système de commande de la piscine et du spa.

Configurer le panneau de commande

1. S'assurer que la commande est en mode **OFF** (Arrêt).
2. Pour entrer en mode « Configuration entretien », appuyer et maintenir enfoncés les boutons **MENU**, **POOL** (Piscine) et **SPA** pendant 5 secondes.

REMARQUE L'affichage retournera à **OFF** (Arrêt) une minute après avoir appuyé sur la dernière touche.

3. Appuyer sur le bouton **Up (vers le haut)** ou **Down (vers le bas)** pour afficher **REMOTE** (à distance). Appuyer sur le bouton **MENU**. L'option **SELECT REMOTE OFF** (sélectionner commande à distance désactivée) (configuration de commande à distance par défaut) est affichée, utiliser le bouton **Up (vers le haut)** ou **Down (vers le bas)** pour faire défiler les options de la commande à distance. Lorsqu'on atteint **HI-LO-COM**, appuyer sur le bouton **MENU** pour sélectionner l'option de télécommande. Appuyer sur **POOL** (Piscine) ou sur **SPA** pour quitter le mode « Configuration entretien ».

Branchement à Deux Fils à un AquaLink® RS ou TSTAT

Configurer le système de commande de AquaLink RS

1. Mettre hors tension à la fois le système de commande de la piscine et du spa et l'unité de thermopompe.
2. Connecter deux (2) fils aux bornes vertes 1 et 2 à 10 broches de AquaLink RS.
3. Mettre DIP S2-1 (broche no.1 sur le commutateur DIP à quatre position) en position ON (voir Figure 12).

Installer le TSTAT à Distance

1. Mettre hors tension à la fois le système de commande de la piscine et du spa et l'unité de thermopompe.
2. Retirer les vis liant le tableau d'entretien et d'accès à l'unité de thermopompe et au couvercle de la boîte de jonction (Voir Figure 10).
3. Acheminer les câbles du système de commande de la piscine et du spa à la connexion du conduit étiquetée « Connexion de basse tension », située du côté inférieur droit de la thermopompe (voir Figure 10).
4. Connecter le câblage depuis le système de commande de la piscine et du spa jusqu'à la borne de la télécommande de la thermopompe (Voir Figure 11b).
5. Rétablir l'alimentation à la thermopompe et au système de commande de la piscine et du spa.

Configurer le panneau de commande

1. S'assurer que la commande est en mode **OFF** (Arrêt).
2. Pour entrer en mode « Configuration entretien », appuyer et maintenir enfoncés les boutons **MENU**, **POOL** (Piscine) et **SPA** pendant 5 secondes.

REMARQUE L'affichage retournera à **OFF** (Arrêt) une minute après avoir appuyé sur la dernière touche.

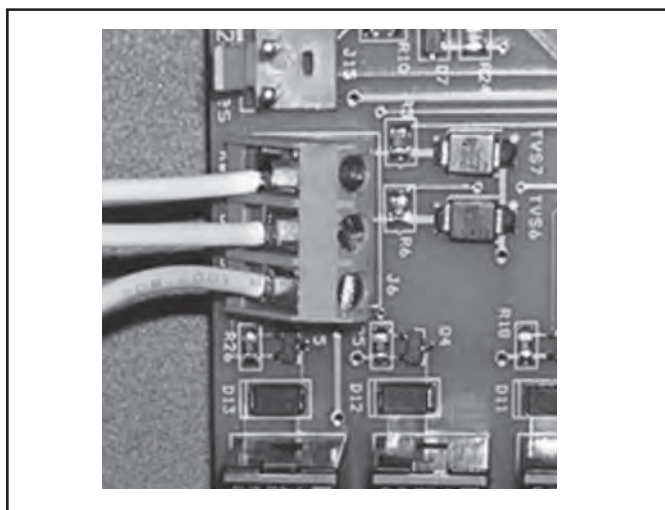


Figure 11a. Connexion à un sélecteur Pool-Off-Spa (Piscine-Arrêt-Spa) à distance (Connexion à 3-fils)

3. Appuyer sur le bouton **Up** (vers le haut) ou **Down** (vers le bas) pour afficher **REMOTE** (à distance). L'option **SELECT REMOTE OFF** (sélectionner commande à distance désactivée) (configuration de commande à distance par défaut) est affichée, utiliser le bouton **Up** (vers le haut) ou **Down** (vers le bas) pour faire défiler les options de la commande à distance. Lorsqu'on atteint **REMOTE TSTAT (TSTAT à distance)**, appuyer sur le bouton **MENU** pour sélectionner l'option à distance. Appuyer sur **POOL** (Piscine) ou sur **SPA** pour quitter le mode « Configuration entretien ».
4. Appuyer sur **SPA**. Pour le chauffage, régler le point de consigne au réglage maximum. Pour le refroidissement, régler le point de consigne au réglage minimum.

Branchement RS485 (4 fils) avec l'AquaLink® RS

1. Confirmer la compatibilité des révisions de logiciel de la thermopompe de la série JE de Jandy Pro et de l'AquaLink RS.

Révision de logiciel d'interface électrique de la thermopompe de série JE de Jandy Pro	Révision de logiciel d'AquaLink® RS
3.0 ou plus récent	N ou plus récent

REMARQUE Seul un système RS présentant une puce programmable avec un logiciel de révision « N » ou plus récent sera compatible avec l'interface de la thermopompe de série JE de Jandy Pro.

2. Couper l'alimentation à la fois à la thermopompe et à la commande RS, puis ouvrir l'enceinte de protection du centre d'alimentation RS et retirer le panneau avant.
3. Retirer les deux (2) vis qui maintiennent la lunette en place et retourner cette dernière pour visualiser la carte de circuit imprimé à l'arrière.
4. Repérer la puce de programme sur la carte du centre d'alimentation. La lettre de la révision se trouve au centre de la puce. Si la lettre de la révision est « N » ou supérieure, passer à l'étape 5. Si le niveau de la révision est « MMM » ou inférieur, remplacer la carte ou faites la connexion tel qu'illustré dans la Section 4.5

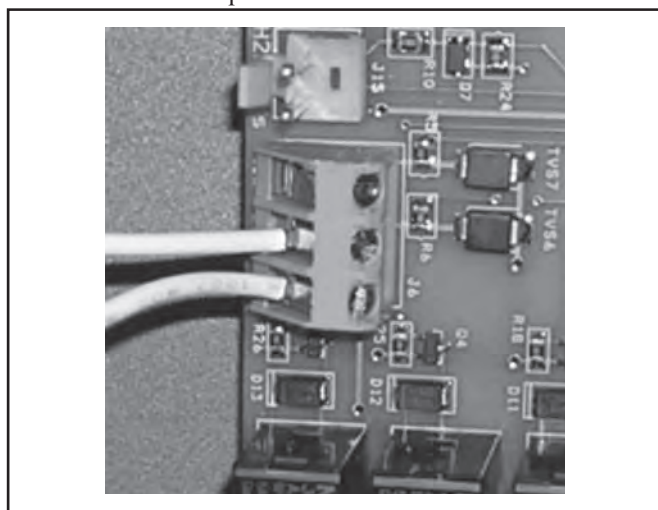


Figure 11b. Connexion à AquaLink® RS ou TSTAT à distance (Connexion à 2 fils)

- Utiliser un câble à quatre fils conducteurs de calibre 4 (Article Zodiac n° 4278) entre la thermopompe et la commande RS, et faites correspondre l'ordre des couleurs des fils.
- Les fils électriques provenant de la thermopompe de série JE de Jandy Pro peuvent être « doublés » sur la barrette de borne rouge à l'aide des quatre (4) fils électriques provenant du contrôleur intérieur.

REMARQUE Si on doit installer plus de deux (2) fils électriques sur chaque borne, commander un ensemble de carte de centre d'alimentation Zodiac® Multiplex, qui comprend la carte Multiplex (Article Zodiac n° 6584). Ne jamais mettre plus de deux (2) fils électriques sur chacune des broches de la barrette à borne.

- Vérifier tous les fils, puis mettre à la fois la thermopompe et le système de commande RS sous tension. Le fonctionnement peut être vérifié en mode service ou automatique. Voir le manuel du système de commande RS pour des instructions d'utilisation.

Quand la thermopompe de série JE de Jandy Pro est mise en marche et lorsqu'un système de commande RS est branché à la pompe, l'affichage du système de commande indique « **JANDY REMOTE ONLINE PUSH MENU TO DISABLE** » (Télécommande Jandy en ligne – appuyer sur Menu pour désactiver). Lorsque la thermopompe JE est en ligne avec la commande RS, toutes les fonctionnalités de la commande de la thermopompe sont désactivées. Les fonctions de la thermopompe peuvent être contrôlées uniquement au niveau de l'unité RS.

Pour utiliser temporairement les commandes de la thermopompe, appuyer sur le bouton **MENU**. Le message « **JANDY REMOTE ONLINE PUSH MENU TO DISABLE** » (Télécommande Jandy en ligne – appuyer sur Menu pour désactiver) disparaît de l'affichage de la thermopompe. Toutes

les fonctionnalités ont été maintenant rendues à la commande de la thermopompe. Dans ce mode, l'unité RS ne commande plus la thermopompe.

Pour rendre l'unité RS de nouveau fonctionnelle, allumer puis éteindre l'alimentation de la thermopompe ou appuyer sur le bouton **MENU** pendant 5 secondes pour entrer en mode Initialisation par l'utilisateur, puis activer la télécommande Zodiac.

REMARQUE Si plus de deux (2) éléments doivent être branchés au connecteur rouge à 4 broches de la centrale d'alimentation, un circuit imprimé Multiplex est requis.

Connexion à une Interface d'Utilisateur Secondaire

- Couper l'alimentation électrique de la thermopompe.
- Retirer les cinq (5) vis qui attachent le panneau avant à la thermopompe et enlever le couvercle de la boîte de jonction. Voir la Figure 10.
- Acheminer quatre (4) câbles solides de cuivre de calibre 22 dans le conduit étiqueté "Low Voltage Connection" (Connexion de basse tension) situé du côté inférieur droit de la thermopompe. Voir la Figure 10. Les câbles peuvent avoir une longueur de 91,4 m (300 pi).
- Connecter les câbles à la borne à 4 positions au coin supérieur gauche du circuit imprimé de l'interface de commande étiquetée « Interface Utilisateur 1 ». Les câbles seront ajoutés au câblage existant et à l'Interface Utilisateur installée sur la thermopompe.
- Vérifier que le câblage est cohérent lors de la connexion des câbles à la seconde Interface Utilisateur. Par exemple, BK va à BK, O va à O, etc.
- Réinstaller le couvercle de la boîte de jonction et le tableau d'entretien et d'accès et restaurer l'alimentation à la thermopompe.

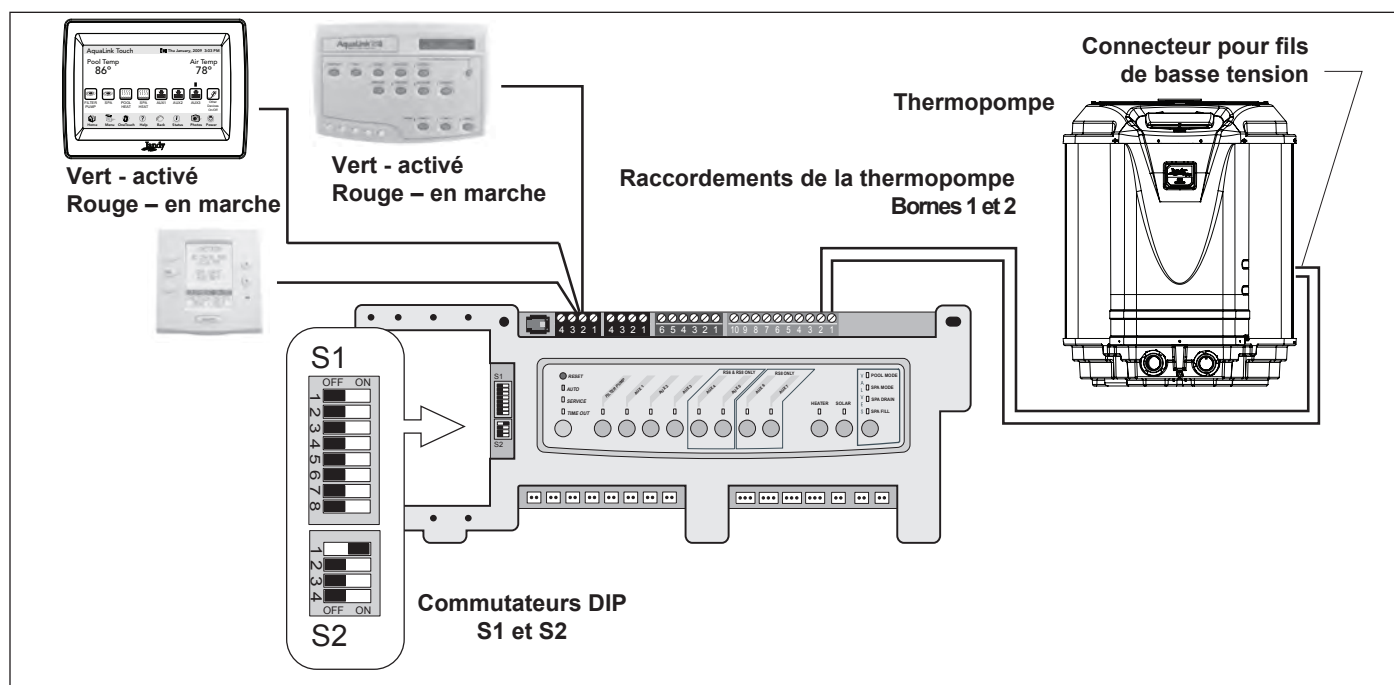


Figure 12. Raccord entre Aqualink RS et thermopompe de la série JE de Jandy Pro – T-Stat (Connexion à 2 fils)

Section 5. Fonctionnement

⚠ MISE EN GARDE

Ne pas utiliser cette thermopompe si une pièce a été immergée. Faire immédiatement inspecter le réchauffeur par un technicien d'entretien qualifié et remplacer toute pièce du système de commande ayant été immergée.

⚠ MISE EN GARDE

Ne poser aucun objet sur la thermopompe. Empêcher la circulation de l'air risque d'endommager la thermopompe, et la garantie pourrait être annulée.

5.1 Précautions de Démarrage Initial

Prendre soin qu'il y a de l'eau dans la piscine et que le niveau de la surface est au-dessus du système d'écumage ou d'une autre entrée du système de filtrage de la piscine.

Faites fonctionner la pompe à filtre avec la thermopompe arrêtée suffisamment longtemps pour complètement nettoyer l'eau pour toute nouvelle piscine ou installation de spa. Cela enlèvera tout résidu d'installation de l'eau.

Nettoyer le filtre à la fin de cette opération avant de démarrer la thermopompe. Lorsqu'on élève la température d'une piscine d'eau froide, programmer l'horloge pour faire fonctionner la pompe en continue.

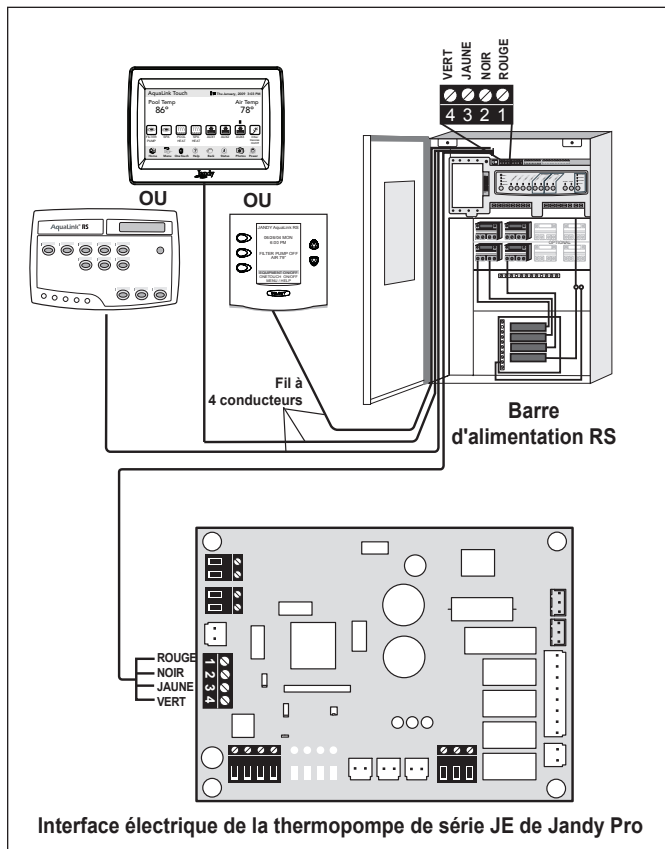


Figure 13. Raccord entre thermopompe de la série JE de Jandy Pro et l'alimentation électrique - RS485 (Connexion à 4 fils)

Cela permet au système de filtrage et à la thermopompe de fonctionner continuellement jusqu'à ce que l'eau atteigne le réglage de température sur la commande de température. Lorsque cela survient, la thermopompe s'arrête automatiquement, mais la pompe à filtre continue à fonctionner.

5.2 Faire fonctionner le contrôleur

Votre nouvelle thermopompe de la série JE de Jandy Pro est contrôlée par un contrôleur à microprocesseur évolué qui fournit une interface sophistiquée bien que simple pour l'utilisation optimale et agréable de votre thermopompe et votre piscine. Pour localiser les boutons de commande, voir Figure 14.

Mode désactivé

Lorsque le tableau de commande est éteint, l'écran affiche **HEAT PUMP IS OFF PRESS POOL OR SPA** (Thermopompe désactivée, appuyer sur Pool [Piscine] ou Spa).

Mode piscine – (température normale)

Pour activer le mode Piscine, appuyer sur **POOL** (Piscine). Le voyant DEL vert correspondant situé à gauche s'allumera, et l'unité affichera **SET:XXX°** (RÉGLER : XXX°).

REMARQUE XXX représente le réglage actuel de la température sur le système de commande. Le réglage par défaut pour la température de piscine est de 26 °C (80 °F).

On peut changer le point de consigne de température en appuyant sur le bouton **Up** (vers le haut) ou **Down** (vers le bas). Appuyer de façon répétée sur le bouton **Up** (vers le haut) ou **Down** (vers le bas) jusqu'à atteindre le point de consigne désiré de la température. Après 5 secondes d'inactivité, le nouveau point de consigne est enregistré en mémoire. Lorsque la température de l'eau baisse de 1 degré en dessous de celle du réglage et après un délai de 5 minutes, le système de commande mettra en marche la thermopompe et le voyant DEL ROUGE correspondant s'allumera.

Mode Piscine - (Maintien de la chaleur optionnel)

En cas de connexion AquaLink, le mode Maintien de Chaleur permet à la thermopompe de surveiller la température de l'eau 24 heures par jour en mettant la pompe en marche et en vérifiant la température de l'eau.

REMARQUE Ce fonction se marche seulement avec un connexion AquaLink.

Lorsque la température de l'eau chute sous le point de consigne de température programmé, la commande enclenche la thermopompe.

Pour activer le mode piscine avec la fonction de Maintien de la chaleur, appuyer sur **POOL** (Piscine), puis **MENU**, appuyer sur **Down** (vers le bas) bouton jusqu'à atteindre **MAINTAIN POOL HEAT** (Maintenir la chaleur de la piscine), et appuyer sur le bouton **MENU**.

Le voyant DEL vert correspondant situé à gauche s'allumera, et l'unité affichera **SET: XXX°** (RÉGLER : XXX°). Modifier le point de consigne de température en appuyant sur le bouton **Up** (vers le haut) ou **Down** (vers le bas) jusqu'à ce que le point de consigne désiré s'affiche. Après 5 secondes d'inactivité, le nouveau point de consigne est enregistré en mémoire.

Mode Spa – (température normale)

Pour activer le mode Spa, appuyer sur **SPA**. Le voyant DEL vert correspondant situé à gauche s'allumera, et l'unité affichera **SET:XXX°** (RÉGLER : XXX °).

REMARQUE XXX représente le réglage actuel de la température sur le système de commande. Le réglage par défaut pour la température du Spa est 38 °C (102 °F).

On peut changer le point de consigne de température en appuyant sur le bouton **Up** (vers le haut) ou **Down** (vers le bas). Appuyer de façon répétée sur le bouton **Up** (vers le haut) ou **Down** (vers le bas) jusqu'à atteindre le point de consigne désiré de la température. Après 5 secondes d'inactivité, le nouveau point de consigne est enregistré en mémoire. Lorsque la température de l'eau baisse de 1 degré en dessous de celle du réglage *et* après un délai de 5 minutes, le système de commande mettra en marche la thermopompe et le voyant DEL rouge correspondant s'allumera.

Mode Spa - (Maintien de la chaleur optionnel)

En cas de connexion AquaLink, le mode Maintien de Chaleur permet à la thermopompe de surveiller la température de l'eau 24 heures par jour en mettant la pompe en marche et en vérifiant la température de l'eau

REMARQUE Ce fonction se marche seulement avec un connexion AquaLink.

Pour activer le mode Spa avec la fonction de Maintien de la chaleur, appuyer sur **SPA**, puis **MENU**, appuyer sur **Down** (vers le bas) jusqu'à atteindre l'option **MAINTAIN SPA HEAT** (Maintien de la chaleur du Spa), et appuyer sur **MENU**. Le voyant DEL vert correspondant situé à gauche s'allumera, et l'unité affichera **SET: XXX°** (RÉGLER : XXX °). Modifier le point de consigne de température en appuyant sur le bouton **Up** (vers le haut) ou **Down** (vers le bas) jusqu'à ce que le point de consigne désiré s'affiche. Après 5 secondes d'inactivité, le nouveau point de consigne est enregistré en mémoire.

5.3 Fonctions d'utilisation d'unités hybrides avec refroidisseur en option

REMARQUE Le refroidisseur est un équipement en option. Les unités ne sont pas toutes dotées d'un refroidisseur.

Mode Piscine - (Refroidissement normal)

Pour activer le mode Piscine, appuyer sur **POOL** (Piscine). Le voyant DEL vert correspondant situé à gauche s'allumera, et l'unité affichera **SET:XXX°** (RÉGLER : XXX °).

REMARQUE XXX représente le réglage actuel de la température sur le système de commande. Le réglage par défaut pour la température de piscine est de 26 °C (80 °F).

Appuyer sur le bouton **MENU**. Appuyer sur le bouton **Up** (vers le haut) ou **Down** (vers le bas) jusqu'à atteindre l'option **POOL CHILL** (refroidisseur de piscine), et appuyer sur **MENU**.

REMARQUE L'option **POOL CHILL** (refroidisseur de piscine) ne sera pas affichée si l'unité n'est pas dotée d'un refroidisseur.

On peut changer le point de consigne de température en appuyant sur le bouton **Up** (vers le haut) ou **Down** (vers le bas). Appuyer de façon répétée sur le bouton **Up** (vers le haut) ou **Down** (vers le bas) jusqu'à atteindre le point de consigne désiré de la température. Après 5 secondes d'inactivité, le nouveau point de consigne est enregistré en mémoire. Lorsque la température de l'eau baisse de 1 degré en dessous de celle du réglage *et* après un délai de 5 minutes, le système de commande mettra en marche la thermopompe et le voyant DEL VERT s'allumera.

Mode Piscine - (Maintien du refroidissement optionnel)

En cas de connexion AquaLink, le mode Maintien du refroidissement en option permet à l'unité de surveiller la température de l'eau 24 heures par jour en mettant la pompe en marche et en vérifiant la température de l'eau.

REMARQUE Ce fonction se marche seulement avec un connexion AquaLink.

Lorsque la température de l'eau s'élève au-dessus du réglage de température désiré, la commande mettra l'unité en marche et le voyant DEL vert à droite associé s'allumera. Pour fonctionner en mode Piscine avec la fonction Maintien du refroidissement, appuyer sur **POOL** (Piscine), puis **MENU**, appuyer sur le bouton **Down** (vers le bas) jusqu'à atteindre l'option **MAINTAIN POOL CHILL** (Maintien du refroidissement de la piscine), et appuyer sur **MENU**. Le voyant DEL vert correspondant situé à gauche s'allumera, et l'unité affichera **SET:XXX°** (RÉGLER : XXX °). Modifier le point de consigne de température en appuyant sur le bouton **Up** (vers le haut) ou **Down** (vers le bas) jusqu'à ce que le point de consigne désiré s'affiche. Après 5 secondes d'inactivité, le nouveau point de consigne est enregistré en mémoire.

Mode Spa - (Maintien du refroidissement optionnel)

En cas de connexion AquaLink, le mode Maintien du refroidissement permet à la thermopompe de surveiller la température de l'eau 24 heures par jour en mettant la pompe en marche et en vérifiant la température de l'eau.

REMARQUE Ce fonction se marche seulement avec un connexion AquaLink.

Lorsque la température de l'eau s'élève au-dessus du point de consigne de température programmé, la commande mettra l'unité en marche.

Pour une utilisation en mode Spa avec la fonction Maintien du refroidissement, appuyer sur **SPA**, puis **MENU**, appuyer sur le bouton **Down** (vers le bas) jusqu'à atteindre l'option **MAINTAIN SPA CHILL** (Maintien du refroidissement), et appuyer sur **MENU**. Le voyant DEL vert correspondant situé à gauche s'allumera, et l'unité affichera **SET:XXX°** (RÉGLER : XXX °). Modifier le point de consigne de température en appuyant sur le bouton **Up** (vers le haut) ou **Down** (vers le bas) jusqu'à atteindre le point de consigne désiré. Après 5 secondes d'inactivité, le nouveau point de consigne est enregistré en mémoire.

5.4 Options Configuration Utilisateur

Les options Configuration Utilisateur permet à l'utilisateur de sélectionner des langues spécifiques, l'échelle de température, la minuterie du Spa et les options d'éclairage de l'affichage.

Choix de la langue

1. S'assurer que la commande est en mode **OFF** (Arrêt).
2. Pour entrer en mode « Configuration utilisateur », appuyer sur le bouton **MENU** et le maintenir enfoncé pendant 5 secondes.

REMARQUE L'affichage retournera à **OFF** (Arrêt) une minute après avoir appuyé sur la dernière touche.

3. Pour choisir une langue, utiliser le **Up** (vers le haut) ou **Down** (vers le bas) pour afficher **SELECT USER SETUP LANGUAGE** (sélectionner la configuration utilisateur de la langue). Appuyer sur le bouton **MENU**. Quand **SELECT LANGUAGE ENGLISH** (default language) (Sélectionner la langue : Anglais (langue par défaut)) apparaît, appuyer sur **Up** (vers le haut) ou **Down** (vers le bas) pour faire défiler les choix de langue. Quand on atteint la langue souhaitée, appuyer sur le bouton **MENU** pour la choisir. Appuyer sur **POOL** (Piscine) ou **SPA** pour quitter le mode « Configuration utilisateur ».

Réglage de l'échelle de température

1. S'assurer que la commande est en mode **OFF** (Arrêt).
2. Pour entrer en mode « Configuration utilisateur », appuyer sur le bouton **MENU** et le maintenir enfoncé pendant 5 secondes.
3. Pour sélectionner l'échelle de température, appuyer sur le bouton **Up** (vers le haut) ou **Down** (vers le bas) jusqu'à atteindre **SELECT USER SETUP TEMPERATURE SCALE** (Sélectionner configuration utilisateur de l'échelle de température). Appuyer sur le bouton **MENU**. L'option **SELECT TEMP SCALE °F** (sélectionner l'échelle de température) (échelle de température par défaut) s'affiche, utiliser le bouton **Up** (vers le haut) ou **Down** (vers le bas) pour sélectionner une échelle de température. Une fois l'échelle de température voulue atteinte, appuyer sur **MENU** pour la sélectionner. Appuyer sur **POOL** (Piscine) ou **SPA** pour quitter le mode « Configuration utilisateur ».



Figure 14. Panneau de commande principal

Configuration de la Minuterie du Spa

1. S'assurer que la commande est en mode **OFF** (Arrêt).
2. Pour entrer en mode « Configuration utilisateur », appuyer sur le bouton **MENU** et le maintenir enfoncé pendant 5 secondes.
3. Pour sélectionner la minuterie du spa, utiliser le bouton **Up** (Vers le haut) ou **Down** (vers le bas) pour défiler jusqu'à l'option **SELECT USER SETUP SPA TIMER** (sélectionner configuration utilisateur de la minuterie du spa). Appuyer sur le bouton **MENU**. La fonction **SELECT SPA TIMER CONTINUOUS** (sélectionner la minuterie continue du spa) (configuration de la minuterie du spa par défaut) est affichée. Pour mettre le spa indéfiniment sous tension ou hors tension, appuyer sur le bouton **MENU** pour sélectionner l'option.

Pour sélectionner la durée de fonctionnement du spa, utiliser le bouton **Up** (vers le haut) ou **Down** (vers le bas) pour défiler jusqu'à l'affichage de **SELECT SPA TIMER TIME SELECTION** (Sélectionner la durée pour le temporisateur du spa). Appuyer sur le bouton **MENU** pour confirmer le choix. La fonction **SELECT SPA TIME 01:00 HRS** (sélectionner la durée du spa 1:00h) (configuration de durée par défaut) est affichée. Utiliser le bouton **Up** (vers le haut) ou **Down** (vers le bas) pour sélectionner la durée de fonctionnement du spa (entre 15 minutes et 23 heures, par intervalle de 15 minutes). Appuyer sur le bouton **MENU** pour sélectionner le temps de fonctionnement du spa. Appuyer sur **POOL** (Piscine) ou **SPA** pour quitter le mode « Configuration utilisateur ».

Configuration de l'éclairage de l'afficheur

1. S'assurer que la commande est en mode **OFF** (Arrêt).
2. Pour entrer en mode « Configuration utilisateur », appuyer sur le bouton **MENU** et le maintenir enfoncé pendant 5 secondes.
3. Pour sélectionner la configuration de l'éclairage de l'afficheur, utiliser le bouton **Up** (vers le haut) ou **Down** (vers le bas) pour faire défiler jusqu'à l'affichage de **SELECT USER SETUP DISPLAY LIGHT** (sélectionner la configuration utilisateur de l'éclairage de l'afficheur). Appuyer sur le bouton **MENU**. La fonction **SELECT DISPLAY LIGHT 2 MIN TIMEOUT** (sélectionner temporisation d'éclairage d'affichage 2 min) (configuration d'éclairage d'affichage par défaut) est affichée. Cette option permet à l'éclairage de l'affichage de s'éteindre après 2 minutes. Appuyer sur le bouton **MENU** pour confirmer le choix. Utiliser le bouton **Up** (vers le haut) ou **Down** (vers le bas) pour défiler jusqu'à l'option **SELECT DISPLAY LIGHT LIGHT OFF** (sélectionner l'éclairage de l'afficheur, éclairage désactivé), cette option permet à l'éclairage de l'afficheur de s'éteindre, appuyer sur le bouton **MENU** pour sélectionner. Utiliser le bouton **Up** (vers le haut) ou **Down** (vers le bas) pour défiler jusqu'à l'option **SELECT DISPLAY LIGHT LIGHT ON** (sélectionner l'éclairage de l'afficheur, éclairage activé), cette option permet à l'éclairage de l'afficheur de s'allumer, appuyer sur le bouton **MENU** pour sélectionner. Appuyer sur **POOL** (Piscine) ou **SPA** pour quitter le mode « Configuration utilisateur ».

5.5 Verrouillage du point de consigne

S'assurer que la commande est en mode **ON (activé) POOL** (Piscine) ou **SPA**, appuyer et tenir enfoncés les boutons **Up** (vers le haut) et **Down** (vers le bas) pendant 5 secondes. Le point de consigne sera verrouillé et la commande fonctionnera dans le mode précédent le verrouillage du point de consigne. Si l'on essaye de modifier le point de consigne pendant que le système de commande est réglé sur le verrouillage du point de consigne, le système de commande affichera **SET POINT LOCKED** (Point de consigne verrouillé). Pour déverrouiller le verrouillage du point de consigne, appuyer et maintenir les boutons **Up** (vers le haut) et **Down** (vers le bas) pendant 5 secondes. L'unité affichera **SET POINT UNLOCKED** (point de consigne déverrouillé).

5.6 Réglage du pressostat à eau

⚠ MISE EN GARDE

La pression de l'eau doit être réglée afin que le réchauffeur s'éteigne quand la pompe s'éteint. Le réglage de l'interrupteur pour fermer à un débit trop faible peut endommager l'appareil. Régler l'interrupteur pour fermer le réchauffeur, et non l'allumer.

Le pressostat est pré-réglé en usine pour se déclencher à 2 psi (14 kPa). C'est le réglage minimum pour le pressostat à eau et fonctionne pour toutes les installations de base. Configurer l'interrupteur de la pression d'eau uniquement si la thermopompe ne fonctionne pas *lorsque le débit correct est configuré pour l'unité* ou si la thermopompe ne s'éteint pas lorsque la pompe à filtre est désactivée. Occasionnellement, des configurations de plomberie inhabituelle ou des restrictions nécessaires dans la plomberie peuvent causer des problèmes de détection de pression. Dans ces situations, la configuration du système de plomberie peut nécessiter le réglage du pressostat à eau.

Le réglage du pressostat peut être nécessaire si toute partie de la tuyauterie du système de filtre est de d'un mètre ou plus au-dessus de la gaine isolante de la thermopompe.

Nepas régler le pressostat si la thermopompe est installée à plus de 1,5 m (5 pi) au-dessus ou 3 m (10 pi) en-dessous de la surface de la piscine. Consulter votre revendeur Zodiac® local pour les recommandations.

Dans certaines installations, la tuyauterie de la thermopompe vers la piscine est très courte. La contre-pression pourrait être trop faible pour déclencher le pressostat. Si cela arrive, il pourrait être nécessaire d'installer un raccord directif ou des coudes là où la tuyauterie de retour entre dans la piscine. Cela augmentera la contre-pression suffisamment pour que la thermopompe fonctionne convenablement. Si cette configuration est nécessaire, prendre soin de vérifier que le débit du système est au-dessus du minimum requis de 30 gpm (114 lpm) après que le raccord directif ou le coude ait été installé.

Vérifier que le filtre de la piscine est propre avant de faire un réglage quelconque du pressostat : un filtre sale entravera le flux de l'eau et le pressostat ne pourra être réglé correctement.

Pour régler le pressostat :

1. Prendre soin que toutes les vannes du système sont réglées pour permettre la circulation d'eau dans la pompe à chauffage. Démarrer la pompe filtrante.
2. Régler la commande de la thermopompe pour demander la chaleur. Régler la commande de la thermopompe au mode CHALEUR PISCINE.

3. Si la commande de la thermopompe affiche "NO FLOW" (Pas de circulation), alors la circulation dans le système pourrait être inférieure à l'écoulement minimum de 30 gpm (114 lpm) nécessaire pour l'utilisation sécuritaire de la thermopompe. Rechercher et corriger tout problème d'écoulement avant de régler le pressostat à eau.
4. Retirer le tableau de commande d'accès à la thermopompe. Le pressostat à eau est situé dans le coin inférieur gauche du compartiment de commande.
5. Une fois que vous vous êtes assuré que le débit est au minimum de 30 gpm (114 lpm), tourner doucement la molette du manocontact de pression d'eau dans le sens contraire aux aiguilles d'une montre jusqu'à ce que l'indicateur "NO FLOW" (Pas de débit) disparaisse de l'afficheur. Rappelez-vous qu'il y a un délai avant la mise en marche du compresseur de la thermopompe.
6. Une fois que la thermopompe est en marche, arrêter la pompe du filtre. La thermopompe doit s'arrêter immédiatement.
7. Si la thermopompe reste en marche lorsque la pompe du filtre est arrêtée, tourner la molette du manocontact de pression d'eau dans le sens des aiguilles d'une montre jusqu'à ce que "NO FLOW" (Pas de débit) soit affiché sur le panneau et que la thermopompe soit désactivée.
8. Vérifier le réglage du manocontact de pression d'eau en démarrant puis en arrêtant la pompe du filtre et en regardant l'indicateur de commande et en vérifiant que le générateur de chaleur fonctionne bien entre chaque changement de débit.
9. Si on ne peut pas régler le manocontact de pression d'eau pour vous adapter à la situation décrite ci-dessus, il faut ajouter un régulateur de débit externe au système pour assurer que la thermopompe ne se mette pas en marche si le débit à travers l'échangeur de chaleur est insuffisant.

Section 6. Maintenance Générale

6.1 Composition chimique de l'eau

Un équilibre chimique adéquat est nécessaire pour assurer des conditions de baignade sanitaires et prolonger la durée utile de votre thermopompe. Vérifier que les concentrations en produits chimiques et en minéraux demeurent dans les proportions indiquées au Tableau 3.

REMARQUE Pour les spas, il faut en outre changer l'eau en plus des traitements chimiques. Il est recommandé de changer l'eau du spa tous les 60 jours si l'usage est limité et tous les 30 jours si l'usage est intensif.

6.2 Préparation pour l'hiver

⚠ MISE EN GARDE

Le fait de ne pas effectuer le drainage hivernal peut endommager la thermopompe et la garantie pourrait être annulée.

Dans les régions de gel possible, il faut protéger votre filtre de pompe et votre thermopompe contre les intempéries.

Effectuer les étapes suivantes pour vidanger complètement la thermopompe (voir Figure 15).

1. Couper l'alimentation électrique de la thermopompe au niveau du coupe-circuit principal.
2. Couper l'arrivée d'eau vers la thermopompe.
3. Déconnecter les raccords des tuyaux d'arrivée et de sortie d'eau ainsi que le bouchon de drainage hivernal (le cas échéant) qui se trouve au bas du panneau avant de la thermopompe. L'eau de l'échangeur thermique s'écoulera dans ces raccordements d'eau.
4. Couvrir uniquement le dessus de la thermopompe pour empêcher que des débris tombent dans l'unité. Ne pas couvrir les côtés de la thermopompe de plastique ou autre matériel susceptible de retenir de l'humidité dans l'unité.

6.3 Démarrage au Printemps

Si la thermopompe a été préparée pour l'hiver, faites les choses suivantes pour remettre en marche le système au printemps :

1. Découvrir la thermopompe et inspecter le dessus et les côtés pour vous assurer qu'il y a ni débris ni problème structurel.
2. Connecter les raccords d'arrivée et de sortie d'eau au bas du panneau avant de la thermopompe.
3. Mettre en marche la pompe du filtre pour amener l'eau vers la thermopompe. Faites circuler de l'eau dans le système suffisamment longtemps pour que toute l'eau de la piscine passe dans le filtre. Vérifier qu'il n'y a pas de fuite sur la thermopompe et autour de celle-ci.
4. Vérifier la composition chimique de l'eau de la piscine et l'équilibrer si nécessaire.
5. Mettre en marche l'alimentation électrique de la thermopompe au niveau du disjoncteur principal.

6.4 Inspection et Entretien

Les thermopompes Zodiac® sont conçues et construites pour durer une fois qu'elles sont installées et qu'elles fonctionnent correctement dans des conditions normales. Les inspections périodiques sont importantes pour maintenir le bon fonctionnement de votre thermopompe en toute sécurité et son rendement année après année.

Inspection par le propriétaire

⚠ MISE EN GARDE

Ne pas utiliser cette thermopompe si une pièce a été immergée. Faire immédiatement inspecter le réchauffeur par un technicien d'entretien qualifié et remplacer toute pièce du système de commande ayant été immergée.

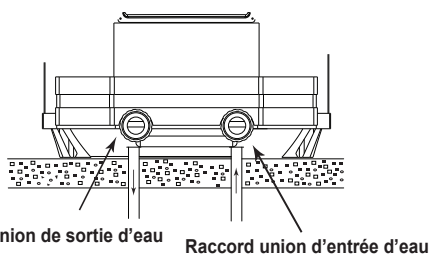


Figure 15. Hivernage de la thermopompe JE

Zodiac vous recommande d'inspecter votre thermopompe régulièrement surtout après des périodes au cours desquelles les conditions climatiques ont été anormales. Nous vous suggérons les directives d'inspection de base suivantes :

1. Garder le dessus et les côtés de la thermopompe exempts de tout débris.
2. Tailler toutes les plantes et buissons pour qu'ils soient suffisamment éloignés de la thermopompe.

La thermopompe produit de la condensation (de l'eau) lorsqu'elle est en marche. La base de la thermopompe est conçue pour permettre à la condensation de sortir par l'orifice de vidange du bas lorsque l'unité est en marche. La condensation augmente proportionnellement au degré d'humidité de l'air. Vérifier les choses suivantes régulièrement pour assurer une vidange correcte de la condensation :

1. Inspecter visuellement et dégager les orifices de vidange en bas de l'unité de tout débris susceptible de les obstruer.
2. Vérifier que l'eau de condensation ne forme pas une flaque dans la thermopompe
3. Prendre soin que l'eau de condensation est correctement dirigée loin de la dalle sur laquelle repose l'équipement pour l'empêcher de sous-caver la dalle.

En fonctionnement normal, la thermopompe produit 3 à 5 gallons d'eau de condensation par heure. Si la vidange de condensation sort de cette fourchette alors que l'unité est en marche ou si de l'eau continue à couler de la base lorsque la thermopompe s'arrête pendant plus d'une heure, il y a sans doute une fuite dans les circuits internes. Appeler un technicien qualifié pour les thermopompes pour chercher les causes du problème.

Garder la vidange d'air supérieure et l'admission d'air exemptes de tout débris de façon à ce que l'air circule bien dans la thermopompe. L'air soufflé par le refroidisseur en haut ne doit pas s'accumuler; il doit être tiré dans les serpentins d'admission d'air latéraux. Tailler toutes les plantes et buissons pour qu'ils soient suffisamment éloignés de la thermopompe.

Prendre soin que l'avant de l'unité est accessible pour les travaux d'entretien futurs.

Empêcher les têtes des gicleurs à gazon d'asperger la thermopompe pour empêcher la corrosion et les dommages. Utiliser un déflecteur si nécessaire.

Si on a installé l'unité sous un toit très pentu ou sous un toit qui n'as pas de gouttière, il faut installer une gouttière ou un déflecteur afin d'empêcher le déversement d'eau excessif dans l'unité.

Inspection par un professionnel

Une inspection professionnelle annuelle au minimum est requise (par un technicien qualifié) pour maintenir votre thermopompe en état et en garantir la sécurité et le rendement. Il faut effectuer les vérifications de base suivantes.

1. Vérifier qu'aucun câble n'est desserré ou sectionné et vérifier que les connexions aux bornes sont en bon état.
2. Vérifier le fonctionnement du pressostat ou du régulateur de débit. Mettre la thermopompe sur OFF (Arrêt). Déconnecter l'alimentation électrique de l'horloge de la pompe ou tourner celle-ci en position Remettre la thermopompe sur ON (Marche). La thermopompe ne doit pas se mettre en marche.

3. Inspecter les commandes électriques, surtout les éléments suivants :
 - a. Limites inférieures et supérieures
 - b. Pressostat ou régulateur de débit
 - c. Commande de température
4. Inspecter le serpentin de l'évaporateur pour vous assurer qu'il n'est pas bloqué et nettoyez-le si nécessaire.
5. Vérifier qu'il n'y a ni toile d'araignée ni débris dans le canal de drainage de l'eau condensée; La nettoyer, le cas échéant.
6. Lancer un cycle normal et vérifier que l'unité fonctionne bien.

Section 7. Maintenance et réparations par un professionnel

7.1 Conception de la thermopompe

La thermopompe Zodiac® est l'un des moyens les plus efficaces pour chauffer la piscine ou le spa. La thermopompe transfère la chaleur de l'air extérieur à la piscine ou au spa grâce à un échangeur de chaleur interne.

Lorsque l'on met en marche le ventilateur, de l'air tiède est forcé vers l'évaporateur chargé en frigorigène, ce qui fait passer le fluide frigorigène froid d'un état liquide à un état gazeux chaud. Le gaz passe alors à travers le compresseur dans lequel il est comprimé, ce qui fait significativement augmenter sa température.

Le gaz chaud entre dans l'échangeur de chaleur dans lequel l'eau extrait la chaleur. La pompe soutire de l'eau froide de la piscine, ce qui fait revenir le gaz chaud à l'état de liquide frigorigène et le cycle recommence.

Les thermopompes JE et EE-Ti utilisent un fluide frigorigène appelé R-410A. C'est un fluide frigorigène sans danger pour l'ozone qui est accepté par l'EPA. R-410A a des pressions opérationnelles et des capacités de refroidissement plus élevées que R-22 qui est le fluide frigorigène utilisé dans les thermopompes AE-Ti. Ainsi, R-410A ne doit JAMAIS être utilisé dans une thermopompe AE-Ti.

L'EPA exige la certification pour l'achat ou l'utilisation du R-410A. Il est recommandé que le personnel d'entretien soit formé en matière d'installation, d'entretien, de brasage et de maintenance. Les instructions sont similaires à celles utilisées pas l'industrie pour le système R-22, toutefois, elles doivent être redéfinies pour les pressions opérationnelles plus élevées.

REMARQUE Le rendement de chauffage maximum d'une thermopompe dépend de la qualité et de la performance des composants principaux utilisés. Les facteurs environnementaux sont tout aussi importants (par exemple, la température de l'air, l'humidité, la température de l'eau et le vent).

7.2 Composants et Fonctionnement de la Thermopompe

L'Évaporateur - Lorsque l'air passe dans l'évaporateur, le frigorigène qui s'y trouve absorbe de la chaleur de l'air ambiant. Plus l'air ambiant est chaud, et plus l'évaporateur a une grande surface, plus l'évaporateur peut collecter de chaleur.

Ventilateur - Le ventilateur de la thermopompe produit un débit d'air élevé. Un débit d'air suffisant est requis pour que l'air tiède se déplace dans le gros évaporateur.

Compresseur - Le compresseur comprime le gaz frigorigène à une pression supérieure, ce qui en fait augmenter la température.

L'échangeur de chaleur - Dernière étape du processus de chauffage, l'échangeur de chaleur transfère la chaleur du gaz chaud vers l'eau. (Aussi connu sous le nom de condenseur.)

Robinet inverseur - (Pour les unités hybrides avec une option de refroidisseur et de dégivrage au gaz chaud) Le robinet inverseur inverse le flux du frigorigène, ce qui produit un transfert du gaz froid vers l'eau et donc une diminution de sa température.

Tableau 3. Plages optimales de la composition chimique de l'eau

Test	Niveau recommandé
Chlore libre ou	1,0 à 3,0 ppm
Bromure	2,0 à 4,0 ppm
pH	7.2 à 7.8 (Plages idéales étant de 7.4 à 7.6)
Alcalinité totale (AT)	80 à 120 ppm
Dureté calcique (DC)	175 à 400 ppm
Acide cyanurique	30 à 50 ppm
Matières dissoutes totales (MDT)	1 000 à 2 000 ppm (excluant NaCl dissous issu d'un générateur de sel de chlore)
* Niveaux de concentration fournis par « Basic Pool and Spa Technology » publié par APSP (Association of Pool and Spa Professionals).	

Section 8. Dépannage

8.1 Guide de dépannage

Le tableau suivant décrit les symptômes et les solutions des problèmes de dépannage généraux pour la thermopompe.

Tableau 4. Guide de dépannage de la thermopompe

Symptôme	MESURE CORRECTIVE
La thermopompe ne démarre pas, aucun affichage sur le panneau de commandes.	Le disjoncteur ou un fusible a pu sauter. Remettre le disjoncteur ou le fusible en position de marche. Si la thermopompe ne fonctionne toujours pas, appeler un technicien pour réparation. Modèles triphasés seulement – Les phases sont peut-être inversées ou une phase est coupée, appeler un technicien pour réparation.
La thermopompe ne démarre pas, l'affichage du panneau de commandes fonctionne.	La thermopompe peut être soumise à une temporisation de 5 minutes. Vérifier si le thermostat du panneau de commande fait une demande de chauffage (vérifier le paramètre du thermostat et la valeur de la température). Vérifier si la thermopompe n'est pas en mode de refroidissement.
La thermopompe fonctionne mais elle ne chauffe pas.	Vérifier que de l'air froid est soufflé du haut de la thermopompe. Si on vient d'installer la thermopompe ou si l'on a laissé refroidir l'eau de la piscine suffisamment, il faut faire fonctionner la thermopompe en continu durant 24 à 48 heures. Si la thermopompe est en service depuis un certain temps, augmenter le temps de la pompe de circulation ou activer l'option Maintenir la fonction de chauffage sur le panneau de commande. Si on chauffe un spa, vérifier qu'aucune conduite d'admission d'air n'est ouverte. Si la thermopompe ne marche toujours pas, appeler un technicien pour réparation.
La thermopompe ne fonctionne pas et le panneau de commande affiche : FAULT- NO FLOW (défaillance, aucun débit d'eau)	Vérifier que la pompe de circulation est en marche et que tous les robinets sont dans les positions correctes. Vérifier que les filtres et que les récupérateurs sont propres. Vérifier le niveau de l'eau dans la piscine. Fermer temporairement toutes les fontaines et chutes d'eau qui contournent l'admission d'eau du générateur de chaleur. Si cela ne corrige pas le problème, appeler un technicien pour réparation.
La thermopompe ne fonctionne pas et le panneau de commande affiche : FAULT- HIGH REF PRESSURE (défaillance – haute pression du frigorigène)	Vérifier que la pompe de circulation est en marche et que rien ne retient l'eau vers la thermopompe. Si le filtre emploie une pompe à 2 vitesses ou à vitesse variable, sélectionner une vitesse plus élevée. Vérifier si tous les robinets sont ouverts et dans les positions adéquates pour permettre un débit d'eau suffisant vers la thermopompe. Vérifier que les filtres et que les récupérateurs sont propres. Vérifier le niveau d'eau dans la piscine. Ce problème peut également apparaître si la thermopompe n'a pas fonctionné pendant longtemps. Pour supprimer l'erreur, démarrer et couper la thermopompe 3 fois de suite. Si cela ne corrige pas le problème, appeler un technicien pour réparation.
La thermopompe ne fonctionne pas ou fonctionne avec des cycles très courts et le panneau de commande affiche le message: FAULT- LOW REF PRESSURE (défaillance – basse pression du frigorigène)	Vérifier que le ventilateur fonctionne et que de l'air sort du haut de la thermopompe, même s'il fonctionne par cycles courts. Si la thermopompe ne fonctionne pas du tout, appeler un technicien pour réparation.
Fuite d'eau de la thermopompe.	Fuite possible au niveau de l'échangeur de chaleur ou d'une canalisation. Éteindre la thermopompe et éteindre la pompe de circulation pendant au moins une heure pour voir si la fuite d'eau s'arrête. Si elle s'arrête, une condensation normale se forme. Si la fuite d'eau continue, au minimum une heure après l'arrêt de la thermopompe, appeler un technicien pour réparation.

8.2 Diagnostiques

En cas d'ouverture du pressostat ou d'une autre défaillance, l'écran LCD indiquera une défaillance jusqu'à ce que le problème soit résolu. Prière de se référer au tableau suivant pour la liste des problèmes diagnostiqués.

Tableau 5. Diagnostique de la thermopompe

DIAGNOSTIQUE	Description
FAULT- NO FLOW (défaillance – aucun débit d'eau)	Débit d'eau trop faible ou retenu dans la thermopompe. Le robinet de dérivation externe est dans une position incorrecte ou le manostat de débit d'eau fonctionne mal. Le manostat de débit d'eau s'ouvre, ce qui crée une erreur, et la pompe s'arrête.
FAULT- LOW REF PRESSURE (défaillance – basse pression de réfrig.)	Lorsque la température ambiante est basse, la pression d'aspiration peut chuter significativement. Cette erreur entraîne l'ouverture du manostat de basse pression et l'automate arrête le compresseur.
FAULT- HIGH REF PRESSURE (défaillance – haute pression de réfrig.)	Lorsque la pression de refoulement augmente trop, le manostat de haute pression s'ouvre et entraîne l'arrêt immédiat de la thermopompe. L'automate détecte cette erreur et arrête le compresseur jusqu'à ce que le manostat se referme.
FAULT- HIGH WATER TEMP (défaillance – haute pression d'eau)	Lorsque la température de la PISCINE ou du SPA atteint ou dépasse le maximum autorisé, il y a danger pour quiconque se trouverait dans l'eau. Le thermostat de l'eau lit cette température et l'automate arrête la thermopompe à moins que celle-ci soit en mode REFROIDISSEUR. Cette fonction reste également active lorsque l'automate commande un chauffage au moyen d'un thermostat à distance. Cela assure que la température de l'eau n'atteint pas des niveaux anormalement hauts en raison d'une défaillance potentielle d'un capteur à distance.
DÉFAILLANCE- SONDE AIR C.CIRCUIT -ou- DÉFAILLANCE- SONDE AIR OUVERTE	Dans le cas où le capteur de température des serpentins est défaillant ou n'est pas connecté, l'automate arrête la thermopompe.
DÉFAILLANCE- SONDE D'EAU COURT-CIRCUITÉE -ou- DÉFAILLANCE- SONDE D'EAU OUVERTE	Dans le cas où le capteur de température de l'eau est défaillant ou n'est pas connecté, l'automate arrête la thermopompe.

Section 9. Pièces de rechange

9.1 Données de commande

Pour commander ou acheter des pièces pour les modèles JE des thermopompes, communiquer avec le revendeur ou distributeur de produits Zodiac le plus proche. Consulter le site Web de Zodiac à l'adresse www.Zodiac.com pour trouver le centre de services le plus proche. S'ils ne répondent pas à vos besoins, communiquez avec le service à la clientèle de Zodiac en composant le : (800) 822-7933.

9.2 Liste des pièces de la thermopompe Zodiac® JE

Touche No	Description	Número de modèle	Commande Pièce No	Touche No	Description	Número de modèle	Commande Pièce No
1	Grille de ventilateur	1500	R0571700	29	Contacteur (monophasé)	Tout (1 Phase)	R0576800
1	Grille de ventilateur	2000, 2500, 3000	R0571800	29	Contacteur (triphase),	Tout (3 Phase)	R0576900
2	Moteur de ventilateur	1500	R0571900	30	Relais de ventilateur	Tout	R0577000
2	Moteur de ventilateur	2000, 2500, 3000	R0572000	31	Capteur de succession de phases (triphase)	2500, 3000 (3 Phase)	R0577100
3	Pale de ventilateur	1500	R0572100		Composants en option		
3	Pale de ventilateur	2000, 2500, 3000	R0572200	32*	Ensemble de supports de fixation	1500	R0577200
4	Couvercle de ventilateur	1500	R0572300	32*	Ensemble de supports de fixation	2000, 2500, 3000	R0577300
4	Couvercle de ventilateur	2000, 2500, 3000	R0572400	33	Raccord universel, ensemble de contrefort	Tout	R0472700
5	Serpentin évaporateur/grille	1500	R0572500	34*	Dérivation, externe, thermopompe JE	Tout	R0578900
5	Serpentin évaporateur/grille	2000, 2500	R0572600				
5	Serpentin évaporateur/grille	3000	R0572700				
6	Compresseur	1500	R0572800				
6	Compresseur	2000	R0572900				
6	Compresseur	2500	R0573000				
6	Compresseur	3000	R0573100				
6	Compresseur (triphase)	2500	R0577500				
6	Compresseur (triphase)	3000	R0577600				
7	Condensateur	1500	R0577700				
7	Condensateur	2000	R0577800				
7	Condensateur	2500	R0577900				
7	Condensateur	3000	R0578000				
8	Entrée du collecteur de condensation	1500	R0573200				
8	Entrée du collecteur de condensation	2000, 2500	R0573300				
8	Entrée du collecteur de condensation	3000	R0573400				
9	Sortie du collecteur de condensation	1500	R0573500				
9	Sortie du collecteur de condensation	2000, 2500	R0573600				
9	Sortie du collecteur de condensation	3000	R0573700				
10	Base	1500	R0573800				
10	Base	2000, 2500, 3000	R0573900				
11	Couvercle du boîtier électrique avec matériel	Tout	R0574000				
12	Panneau avant	1500	R0574300				
12	Panneau avant	2000, 2500	R0574400				
12	Panneau avant	3000	R0574500				
13	Capteur de température de l'eau	Tout	R0574600				
14	Déshydrateur de filtre	1500	R0574700				
14	Déshydrateur de filtre	2000, 2500, 3000	R0574800				
14	Déshydrateur de filtre (deux débits)	3000TR	R0574900				
15	Soupape d'expansion thermique	1500	R0575000				
15	Soupape d'expansion thermique	2000, 2500	R0575100				
15	Soupape d'expansion thermique	3000	R0575200				
16	Sonde de température de l'air	Tout	R0575300				
17	Pressostat haute pression	Tout	R0575400				
18	Pressostat faible pression	Tout	R0575500				
19	Commutateur de pression d'eau	Tout	R0575600				
20	Interface utilisateur	Tout	R3008801				
21	Couvercle de l'interface	Tout	R3000601				
22	Robinet inverseur (optionnel)	3000TR	R0575900				
23	Ensemble de de drainage hivernal	2000, 2500, 3000	R0576000				
24	Circuit d'interface d'électricité	Tout	R3009200				
25	transformateur	Tout	R0576200				
26	Condensateur de marche (monophasé)	1500	R0576300				
26	Condensateur de marche (monophasé)	2000, 2500, 3000	R0576400				
27	Condensateur de ventilateur	1500	R0576500				
27	Condensateur de ventilateur	2000, 2500, 3000	R0576600				
28	Condensateur de démarrage à froid	1500	R0576700				

* Non-illustré

9.3 Diagramme éclaté des thermopompes Zodiac® JE 1500

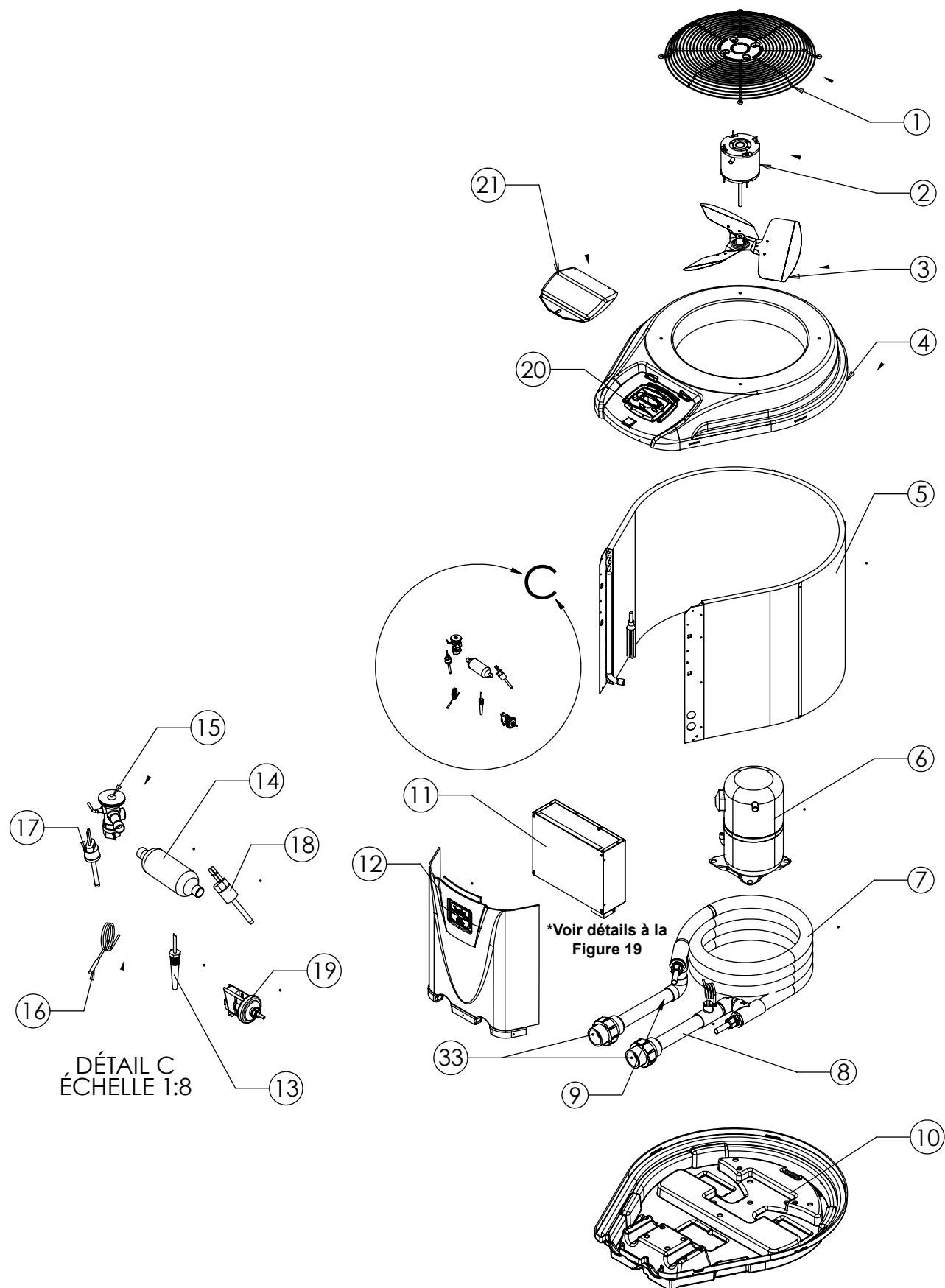


Figure 16. Diagramme éclaté des thermopompes Zodiac JE1500 (modèle JE1500 illustré)

9.4 Diagramme éclaté des thermopompes Zodiac® JE 2000, JE2500 et JE3000

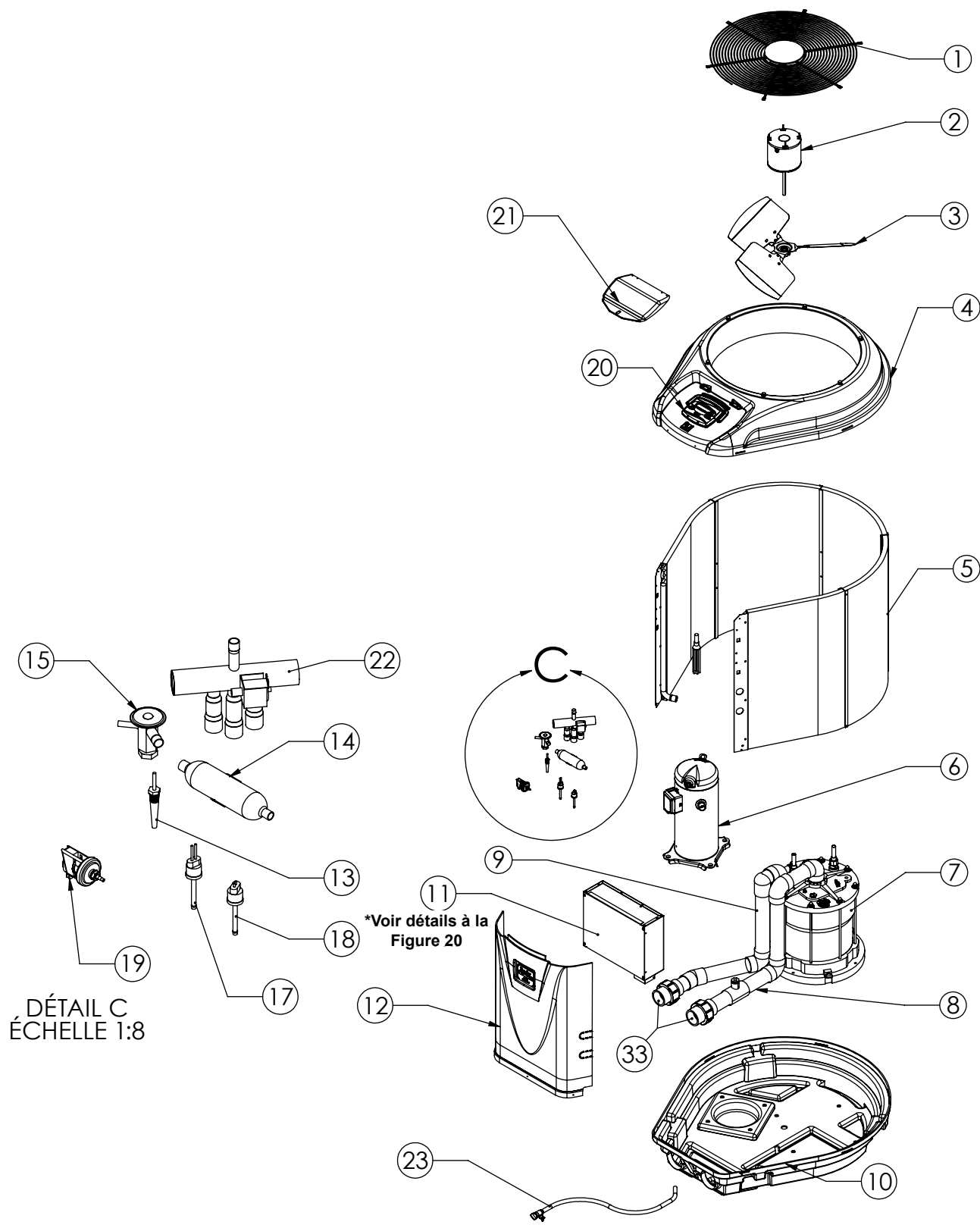


Figure 17. Diagramme éclaté des thermopompes Zodiac JE (modèle JE2000 illustré)

9.5 Boîtier électrique monophasé pour thermopompe Zodiac® JE

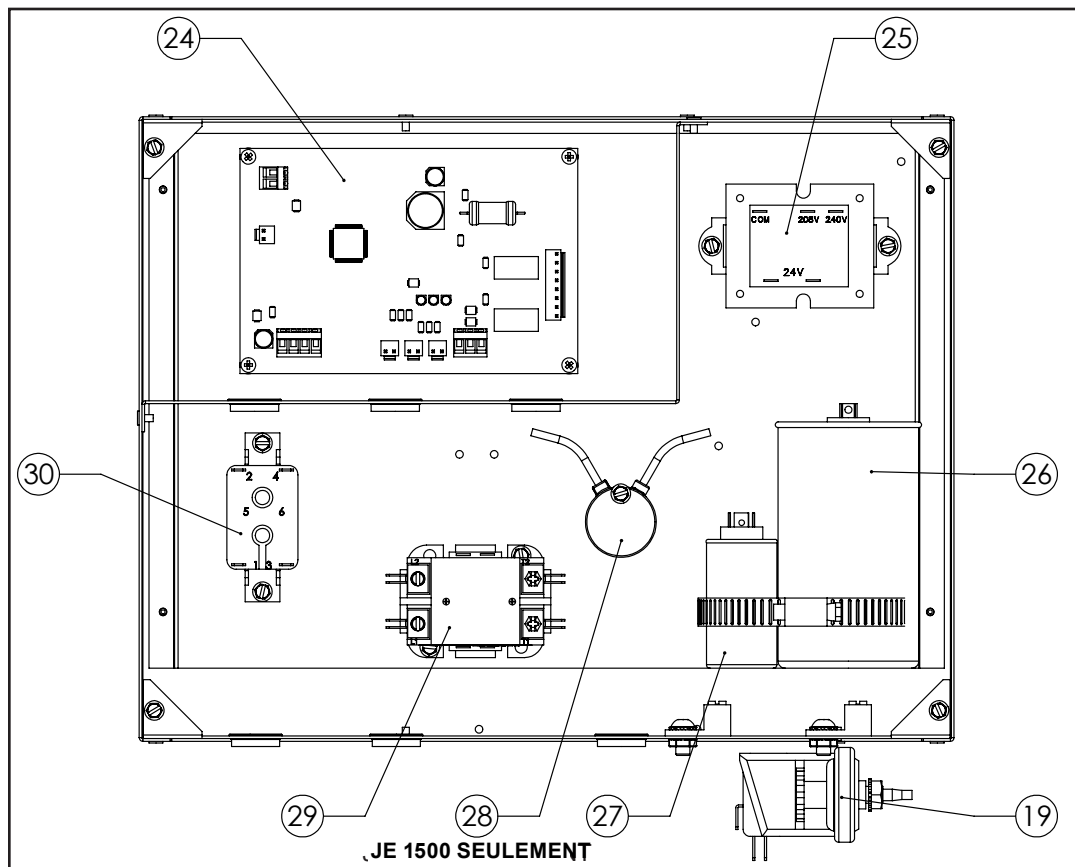


Figure 18. Boîtier électrique monophasé Zodiac JE

9.6 Boîtier électrique triphasé pour thermopompe Zodiac® JE

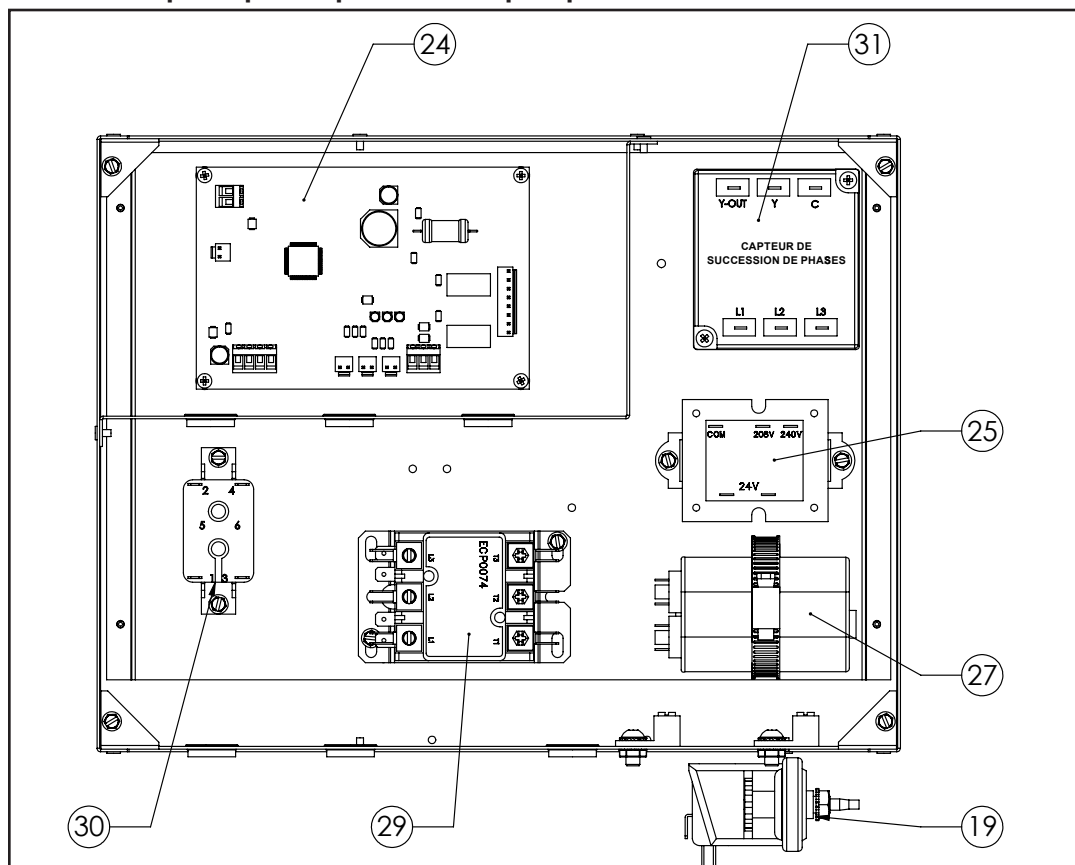


Figure 19. Boîtier électrique triphasé Zodiac JE

Zodiac Pool Systems, Inc.
2620 Commerce Way, Vista, CA 92081
1 800 822-7933 | www.ZodiacPoolSystems.com

Zodiac Pool Systems Canada, Inc.
2115, route South Service Ouest, n° 3, Oakville (ON) L6L 5W2
1 888 647-4004 | www.ZodiacPoolSystems.ca



LISTÉ ETL
CONFORME À LA NORME
UL STD 1995

CERTIFIÉ PAR LA NORME
CAN/CSA C22.2 N° 236

ZODIAC® est une marque déposée de Zodiac International, S.A.S.U., utilisée sous licence.
Toutes les marques de commerce et marques déposées susmentionnées dans le présent document sont la propriété de leurs propriétaires respectifs.

©2013 Zodiac Pool Systems, Inc. H0408600 Rev B





MANUAL DE INSTALACIÓN Y OPERACIÓN

English | Français | Español

Jandy® Pro Serie Bomba de calor JE



ADVERTENCIA

PARA SU SEGURIDAD - Este producto debe ser instalado por un técnico de calefacción y aire acondicionado con licencia certificado en la reparación y mantenimiento de bombas de calor por la jurisdicción en que se instalará el producto cuando existan tales requisitos estatales o locales. El técnico debe poseer y cumplir con todas las certificaciones y reglamentaciones con respecto a la compra, manipulación, transporte y reclamo de refrigerante R410A. En caso de que no existan tales requisitos estatales o locales, la persona que realiza la instalación o el mantenimiento debe ser un profesional con experiencia suficiente en la instalación y el mantenimiento de equipos para piscinas de tal forma que pueda seguir correctamente todas las instrucciones de este manual. Antes de instalar este producto, lea y siga todas las instrucciones y preste atención a las advertencias en el manual adjunto. No prestar la debida atención a las advertencias y las instrucciones puede ocasionar daños a la propiedad, lesiones personales e incluso la muerte. La instalación y la operación incorrectas pueden crear un riesgo eléctrico que puede ocasionar lesiones graves, daños a la propiedad e incluso la muerte. La instalación y/o la operación incorrectas serán causa de anulación de la garantía.

Índice

Sección 1. Información general	3	5.4	Opciones de configuración del usuario.....	20	
1.1	Introducción	3	5.5	Bloqueo del valor de consigna.....	21
1.2	Información para el consumidor y seguridad.....	3	5.6	Ajuste del interruptor de presión de agua.....	21
1.3	Garantía.....	4	Sección 6. Mantenimiento general	21	
1.4	Códigos y estándares.....	4	6.1	Composición química del agua.....	21
1.5	Asistencia técnica.....	4	6.2	Preparación para el invierno.....	22
1.6	Materiales necesarios para la instalación.....	4	6.3	Puesta en marcha en la primavera.....	22
1.7	Especificaciones.....	5	6.4	Inspección y mantenimiento	22
Sección 2. Instrucciones de instalación	5	Sección 7. Mantenimiento y servicio profesional	23		
2.1	Información general.....	5	7.1	Diseño de la bomba de calor	23
2.2	Requisitos de ubicación.....	5	7.2	Componentes y operación de la bomba de calor	23
Sección 3. Conexiones de agua	8	Sección 8. Diagnóstico y solución de problemas	25		
3.1	Distribución hidráulica	8	8.1	Guía de diagnóstico y localización de averías.....	25
3.2	Conexiones de agua en la bomba de calor	8	8.2	Diagnóstico	25
3.3	Instalación de la válvula de antirretorno	8	Sección 9. Piezas de repuesto	26	
3.4	Instalación de unidades múltiples.....	9	9.1	Información para hacer pedidos	26
Sección 4. Conexiones eléctricas.....	9	9.2	Lista de piezas para las bombas de calor Zodiac JE	26	
4.1	Información general.....	9	9.3	Plano de despiece de las bombas de calor Zodiac JE1500	27
4.2	Energía principal.....	10	9.4	Plano de despiece de las bombas de calor Zodiac JE2000	28
4.3	Conexiones eléctricas.....	15	9.5	Caja eléctrica monofásica de Zodiac JE.....	29
4.4	Controles remotos opcionales	15	9.6	Caja eléctrica trifásica de Zodiac JE.....	29
Sección 5. Operación.....	18				
5.1	Precauciones para el arranque inicial.....	18			
5.2	Operación del controlador	18			
5.3	Características de operación de unidades híbridas con enfriador opcional	19			

Figuras y tablas

Figura 1.	Dimensiones de las bombas de calor Zodiac® JE... 7	Figura 13.	Conexión de la bomba de calor JE al centro de energía..... 18	
Figura 2.	Posiciones de la abrazadera de anclaje..... 9	Figura 14.	Panel de control principal..... 20	
Figura 3.	Instalación de la abrazadera de anclaje..... 9	Figura 15.	Preparación de la bomba de calor JE para el invierno	22
Figura 4.	Distribución hidráulica estándar..... 11	Figura 16.	Plano de despiece de las bombas Zodiac JE1500 (se muestra JE1500)..... 27	
Figura 5.	Hidráulica de combinaciones del sistema de calefacción..... 11	Figura 17.	Plano de despiece de las bombas Zodiac JE2000 (se muestra JE2000)..... 28	
Figura 6.	Distribución hidráulica para dos (2) bombas de calor	12	Figura 18.	Caja eléctrica monofásica de la bomba de calor Zodiac JE..... 29
Figura 7.	Distribución hidráulica para cuatro (4) bombas de calor	12	Figura 19.	Caja eléctrica trifásica de la bomba de calor Zodiac JE..... 29
Figura 8.	Diagrama de cableado de suministro eléctrico monofásico de JE..... 13	Tabla 1.	Especificaciones técnicas de la bomba de calor JE..... 6	
Figura 9.	Diagrama de cableado de suministro eléctrico trifásico de JE	14	Tabla 2.	Espacios libres de la bomba de calor..... 7
Figura 10.	Vista delantera de la bomba de calor JE..... 15	Tabla 3.	Rangos óptimos de la química del agua	23
Figura 11A.	Conexión remota de Piscina-Apagado-Spa (Conexión de 3 cables)..... 16	Tabla 4.	Guía de diagnóstico y localización de averías de la bomba de calor..... 24	
Figura 11B.	AquaLink RS o conexión al TSTAT remoto (Conexión de 2 cables)..... 16	Tabla 5.	Diagnóstico de la bomba de calor	25
Figura 12.	AquaLink® RS a bomba de calor JE..... 17			

Sección 1. Información general

1.1 Introducción

Este manual contiene instrucciones de instalación y operación para los modelos Jandy Pro serie JE de las bombas de calor. Lea todas las instrucciones de instalación y operación antes de realizar la instalación. Consulte a Zodiac Pool Systems, Inc. ("Zodiac") si tiene preguntas acerca de este equipo. Para obtener copias adicionales de este manual contáctenos al 800-822-7933.

Zodiac Pool Systems, Inc.
2620 Commerce Way
Vista, CA 92081 USA

La bomba de calor Jandy Pro serie JE obtiene el suministro de energía de una fuente externa y provee un sistema de control de termostato digital doble para las combinaciones de piscina/o la modalidad de precalentamiento.

Esta bomba de calor está específicamente diseñada para calentar piscinas de agua dulce y spas. No la utilice como un calentador de servicios generales. Consulte con su distribuidor sobre los productos Zodiac® adecuados para estas aplicaciones.

NOTA "Piscinas y spas de agua dulce" son sistemas que utilizan unidades de generador de cloro de agua salada, tal como el Generador electrónico de cloro Zodiac AquaPure®. Asegúrese de que el contenido de sal de la piscina/spa no exceda las 4500 ppm y que el caudal esté dentro de 30-70 gpm (110-265 lpm).

ATENCIÓN

La instalación y el mantenimiento deben ser realizados por un instalador calificado o una agencia de servicio.

Atención instalador: Después de la instalación, estas instrucciones deben ser entregadas al propietario o dejarse en la bomba o cerca de ella.



Atención Usuario: Este manual contiene información importante que lo ayudará a operar y mantener esta bomba de calor. Por favor, consérvelo para futuras referencias.

1.2 Información y seguridad para el consumidor

Las bombas de calor Jandy Pro series JE están diseñadas y fabricadas para proveer muchos años de servicio seguro y confiable cuando se instala, opera y mantiene según la información dada en este manual y de acuerdo con los códigos de instalación a los que se hace referencia en secciones ubicadas más adelante. En todo el manual, las advertencias de seguridad y de precaución están identificadas con el símbolo "⚠". Asegúrese de leer y cumplir con todas las advertencias y precauciones.

Reglas de seguridad para el spa/tina de hidromasaje

⚠ ADVERTENCIA

La Comisión de Seguridad del Consumidor de Estados Unidos advierte que la temperatura elevada del agua puede ser peligrosa. Consulte las instrucciones de operación e instalación del calentador sobre la temperatura del agua antes de configurarla.

⚠ ADVERTENCIA

Las siguientes "Reglas de seguridad para tinas de hidromasaje" recomendadas por la Comisión de Seguridad del Consumidor de Estados Unidos, deberán seguirse al usar el spa.

⚠ ADVERTENCIA

El agua del spa o tina de hidromasaje nunca debe exceder 104°F (40°C). Se considera que 100°F o 38°C es una temperatura segura para un adulto saludable. Se recomienda tener especial precaución con los niños.

⚠ ADVERTENCIA

Consumir bebidas alcohólicas antes o durante el uso del spa/tina de hidromasaje puede producir somnolencia con la posibilidad de pérdida del conocimiento, y de forma consecuente, resultar en ahogamiento.

⚠ ADVERTENCIA

¡Atención mujeres embarazadas! Sumergirse en agua que supere los 102°F (38,5°C) puede provocar daño al feto durante los primeros tres (3) meses de embarazo (que puede resultar en el nacimiento de un niño con daño cerebral o deformidades físicas). Si las mujeres embarazadas van a utilizar un spa o una tina de hidromasaje, deberán asegurarse de que la temperatura del agua se encuentre como máximo por debajo de los 100°F (38°C).

⚠ ADVERTENCIA

La temperatura del agua siempre debe ser verificada con un termómetro preciso antes de ingresar al spa o tina de hidromasaje. Los controles de temperatura pueden variar como máximo en 1°F (1°C).

⚠ ADVERTENCIA

Las personas con antecedentes de enfermedades cardíacas, diabetes, problemas circulatorios o tensión arterial, deben consultar a su médico antes de utilizar el spa o la tina de hidromasaje.

⚠ ADVERTENCIA

Las personas que toman medicinas que causen somnolencia (por Ej., tranquilizantes, antihistamínicos o anticoagulantes) no deben utilizar los spas ni tinas de hidromasaje.

⚠ ADVERTENCIA

La inmersión prolongada en agua caliente puede producir hipertermia.

⚠ ADVERTENCIA

La hipertermia ocurre cuando la temperatura interna del cuerpo alcanza un nivel de varios grados por encima de la temperatura normal del cuerpo de 98,6°F (37°C). Los síntomas incluyen mareo, desmayo, somnolencia, letargo y un aumento de la temperatura interna del cuerpo. Los efectos de la hipertermia incluyen:

- Falta de conciencia del peligro inminente
- Pérdida de la percepción del calor
- Falta de reconocimiento de que hay que salir del spa
- Incapacidad física para salir del spa
- Daño al feto en mujeres embarazadas
- Pérdida de la conciencia que puede producir un ahogamiento

Consejos para el ahorro de energía en las piscinas de natación

Es importante señalar que una bomba de calor no calentará una piscina tan rápido como un calentador grande de piscinas a gas o eléctrico. Si el agua de la piscina se enfría significativamente, puede tomar varios días volver a la temperatura de nado deseada. Para el uso en fines de semana, es más económico mantener la temperatura del agua de la piscina a la temperatura de nado deseada. Si no planea usar su piscina por un período prolongado, puede elegir apagar por completo la bomba de calor o reducir el ajuste de temperatura del control varios grados para minimizar el consumo de energía.

Zodiac ofrece las siguientes recomendaciones para ayudar a conservar la energía y minimizar el costo de operación de la bomba de calor sin sacrificar comodidad.

1. La Cruz Roja de Estados Unidos recomienda una temperatura de agua máxima de 78°F (25°C). Utilice un termómetro de piscina preciso. Una diferencia de 4°F (2°C), entre 78°F y 82°F (26°C y 28°C), aumentará significativamente el consumo de energía.
2. Controle cuidadosamente la temperatura del agua de su piscina en el verano. Se puede reducir el uso de la bomba de calor si la temperatura ambiente aumenta.
3. Durante el invierno o vacaciones de más de una semana, apague la bomba de calor.
4. Encuentre la configuración apropiada en el control de temperatura de la bomba de calor y use Set Point Lockout (bloqueo de valor de consigna) o bloquee la cubierta en el controlador de la bomba de calor para impedir más ajustes.
5. Configure el reloj de la bomba para que ésta no empiece antes de las 6:00 a. m. en la temporada de calentamiento de la piscina. Esta es la hora en que la pérdida de calor nocturno se nivela.
6. Cuando sea posible, proteja la piscina del viento imperante con cubiertas a la medida, toldos o vallas.

7. El uso de una cubierta automática para la piscina, si está instalada, proporciona una función de seguridad valiosa, reduce la pérdida de calor, conserva químicos y reduce la carga en los sistemas de filtración..

8. El uso de una manta solar puede reducir la pérdida de calor ocasionada por la evaporación en la superficie de la piscina.

1.3 Garantía

La bomba de calor Jandy Pro serie JE se vende con una garantía de fábrica limitada.

Realice todos los reclamos de garantía a su distribuidor de Zodiac® o directamente a Zodiac. Las reclamaciones deben incluir el número de serie y modelo de la bomba de calor (esta información se encuentra en la placa de especificaciones), la fecha de instalación y el nombre del instalador. Los costos de envío no están incluidos en la garantía.

La garantía no cubre daños provocados por un ensamblaje, instalación, operación, preparación para el invierno inadecuados, modificación en el campo, o la falta de una unión a tierra y una conexión a tierra apropiada de la unidad. Todo cambio a la bomba de calor, evaporador, intercambiador de calor, cableado o instalación inadecuada puede anular la garantía.

1.4 Códigos y estándares

La bomba de calor Jandy Pro serie JE está declarada por ETL® como que cumple con la última edición del “Estándar UL de Seguridad para Equipos de Calefacción y Refrigeración”, UL 1995 y CSA C22.2 N.º 236.

Todas las bombas de calor Zodiac deben ser instaladas conforme a los códigos de construcción e instalación locales según las empresas de servicio público o las autoridades que tengan jurisdicción. Todos los códigos locales tienen prioridad sobre los códigos nacionales. En ausencia de los códigos locales, consulte la última edición del Código Eléctrico Nacional® (NEC®) en los Estados Unidos y el Código Eléctrico Canadiense (CEC®) en Canadá para la instalación.

1.5 Asistencia técnica

Consulte con el departamento de asistencia técnica de Zodiac o su distribuidor local de Zodiac si tiene preguntas o problemas con respecto a su equipo Zodiac. El personal experimentado de asistencia técnica está siempre disponible para ayudarle en la aplicación y uso adecuados de los productos Zodiac. Para obtener asistencia técnica contacte al departamento de asistencia técnica de Zodiac al (800) 822-7933.

1.6 Materiales necesarios para la instalación

Los siguientes elementos son necesarios y deben ser proporcionados por el instalador para todas las instalaciones de la bomba de calor:

1. Conexiones hidráulicas (2”).
2. Nivele la superficie para un drenaje adecuado. (Vea el cuadernillo del equipo para ver los requisitos de tono)
3. Línea de suministro eléctrico adecuado. Consulte la placa de clasificación en la unidad para conocer las especificaciones eléctricas. No se necesita una caja

terminal en la bomba de calor; las conexiones se hacen dentro del compartimiento eléctrico de la bomba de calor. El conducto puede conectarse directamente a la funda de la bomba de calor.

NOTA Se recomiendan conductos flexibles para conectar los cables de suministro eléctrico a la bomba de calor de tal forma que el panel delantero pueda retirarse fácilmente para su mantenimiento.

4. Interruptor de corte eléctrico que interrumpirá la energía hacia la unidad. Este interruptor debe estar dentro de la línea de visión de la bomba de calor.
5. Conducto impermeable para tender la línea de suministro eléctrico.

Recomendado: Zodiac recomienda instalar válvulas de aislamiento en las conexiones de entrada y salida de agua para mayor facilidad en el mantenimiento.

1.7 Especificaciones

Adecuado para uso en interiores y al aire libre. Deben observarse los espacios libres que se muestran en la Tabla 2.

Conexiones de las tuberías de agua/calentador
Plástico 2" PVC (uniones incluidas)

Caudal de flujo

Máxima	70 gpm (265 lpm)
Óptima	60 gpm (230 lpm)
Mínima	20 gpm (76 lpm)

Presión máxima de funcionamiento del agua 75 psi

Suministro eléctrico

Requisitos de voltaje	
Monofásico	230 VCA 60Hz
Trifásico	230 VCA 60Hz (Según el modelo)

Presión máxima de funcionamiento del refrigerante 600 PSI Dimensiones

Dimensions

Vea la Figura 1 para conocer las dimensiones de la bomba de calor y las dimensiones de las conexiones críticas.

Especificaciones técnicas

Vea la Tabla 1 para conocer las especificaciones técnicas de la bomba de calor Jandy Pro serie JE.

Sección 2. Instrucciones de instalación

2.1 Información general

Instale las bombas de calor Zodiac® según los procedimientos de este manual, los códigos y ordenanzas locales y la última edición del código nacional correspondiente. (Consulte la Sección 1.4, "Códigos y estándares".) Se requiere una instalación correcta para asegurar una operación segura. Los requisitos de las bombas de calor Zodiac incluyen lo siguiente:

1. Ensamblado en terreno (si fuera necesario).
2. Ubicación y distancias apropiadas en el sitio.
3. Suficiente ventilación de aire.
4. Adecuada instalación eléctrica.
5. Circulación de agua adecuada.

Este manual provee la información necesaria para satisfacer estos requerimientos. Revise por completo todos los procedimientos de aplicación e instalación antes de continuar con la instalación.

2.2 Requisitos de ubicación

NOTA Las instalaciones en interiores requieren consideraciones especiales para el drenaje de condensación y la ventilación del aire frío producido por la bomba de calor. Contacte al departamento de asistencia técnica de Zodiac al (800) 822-7933.

PRECAUCIÓN

Quando el equipo de la piscina se encuentra ubicado por debajo de la superficie de la piscina, una fuga de cualquier componente podría causar pérdida de agua a gran escala o incluso inundación. Zodiac no se responsabiliza por dicha pérdida de agua o inundación o daño resultante.

Evite colocar la bomba de calor en lugares en que este pueda ocasionar daños por fugas de gas o condensación. Si esto no es posible, provea un recipiente de drenaje adecuado para recoger y desviar cualquier tipo de fuga.

Todos los criterios que se brindan en las siguientes secciones reflejan espacios libres mínimos. Sin embargo, cada instalación también debe ser evaluada teniendo en cuenta las condiciones locales que tienen prioridad, como la altura y la proximidad de las paredes y la proximidad a las áreas de acceso público.

Espacio libre

La bomba de calor debe ser ubicada de forma que haya suficiente espacio libre en todos los lados para realizar el mantenimiento y la inspección. Véase Tabla 2.

El acceso delante de la bomba de calor de 24" (60 cm) proporciona espacio adecuado para el mantenimiento.

Si la bomba de calor debe instalarse en un garaje o bajo una viga vertical, la unidad debe tener un mínimo de 5 pies (1,5 metros) de espacio libre desde la parte superior de la bomba de calor.

En EE. UU., la bomba de calor debe instalarse al menos a 5 pies (1,5 metros) de la pared interna de la piscina o spa a menos que la bomba de calor esté separada de la piscina o

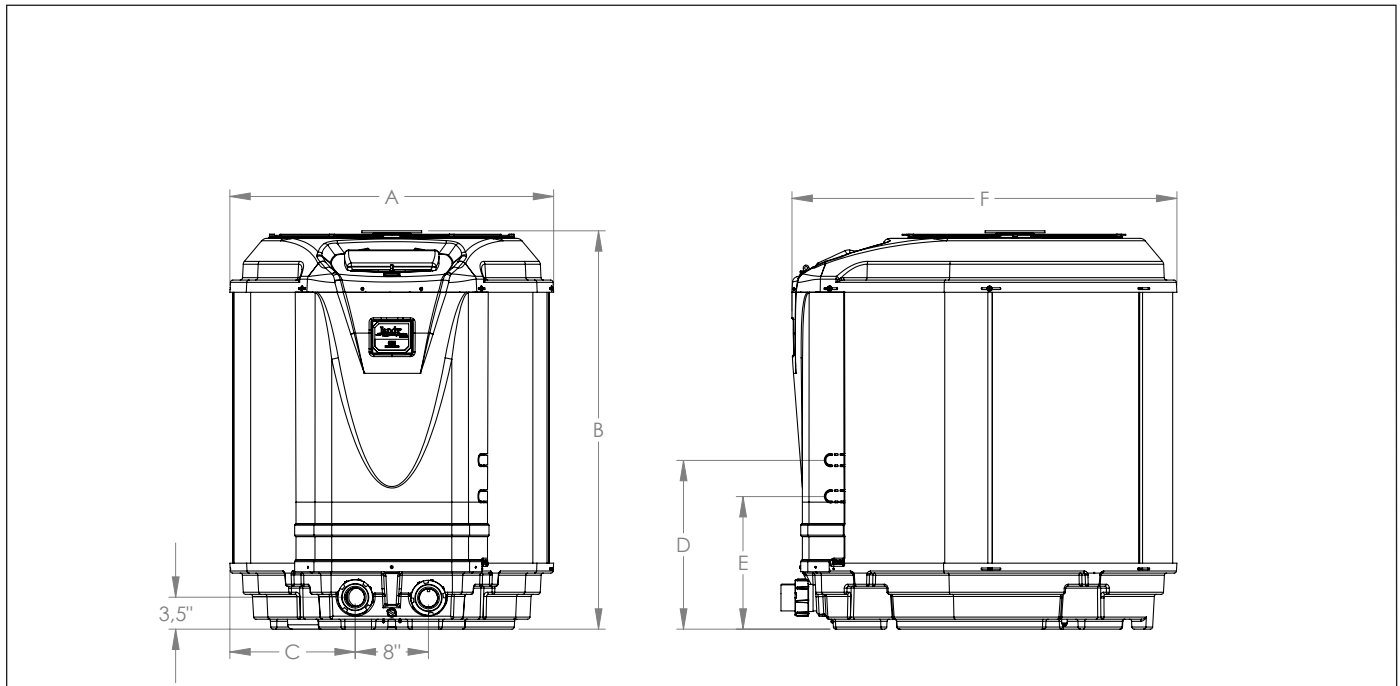
Tabla 1. Especificaciones técnicas de la bomba de calor Jandy Pro serie JE

Modelo	JE1500T	JE2000T	JE2500T	JE2500T-3	JE3000T	JE3000TR	JE3000T3	JE3000TR3
VOLTAJE	230V/60HZ	230V/60HZ	230V/60HZ	230V/60HZ/3	230V/60HZ	230V/60HZ	230V/60HZ	230V/60HZ/3
SALIDA*	72.000 BTU	108.000 BTU	119.000 BTU	119.000 BTU	137.000 BTU	137.000 BTU	137.000 BTU	137.000 BTU
ENTRADA*	3.83 kW	5.03 kW	5.34 kW	5.34 kW	6.37 kW	6.37 kW	6.37 kW	6.37 kW
COP*	5.5	6	6.2	6.2	6.3	6.3	6.3	6.3
SALIDA, CONDICIONES DE CLASIFICACIÓN ESTÁNDAR*	67.000 BTU	92.000 BTU	106.000 BTU	106.000 BTU	127.000 BTU	127.000 BTU	127.000 BTU	127.000 BTU
COP, CONDICIONES DE CLASIFICACIÓN ESTÁNDAR**	5.2	5.7	5.6	5.6	5.9	5.9	6.0	5.9
SALIDA, AMBIENTE BAJO**	46.000 BTU	64.000 BTU	74.000 BTU	74.000 BTU	86.000 BTU	86.000 BTU	86.000 BTU	86.000 BTU
COP, AMBIENTE BAJO**	4.0	4.0	4.0	4.0	4.2	4.0	4.2	4.0
RLA (AMPERAJE DE LA CARGA DE FUNCIONAMIENTO)	19.87A	30.77A	32.05A	23.21A	32.05A	32.05A	32.05A	25.00A
LRA (AMPERAJE DE ROTOR BLOQUEADO)	105A	178A	148A	164A	185A	185A	185A	164A
AMPACIDAD MÍNIMA DEL CIRCUITO	26.14A	40.21A	41.81A	30.76A	41.81A	41.81A	41.81A	33.0A
PROTECCIÓN MÁXIMA CONTRA SOBRECORRIENTE***	45A	60A	60A	45A	60A	60A	60A	50A
TERMOCAMBIADOR	Titanio							
COMPRESOR	Reciprocante	Pergaminio	Pergaminio	Pergaminio	Pergaminio	Pergaminio	Pergaminio	Pergaminio
GABINETE	ABS							
REFRIGERANTE	64 Oz. R410A	78 Oz. R410A	78 Oz. R410A	78 Oz. R410A	118 Oz. R410A	126 Oz. R410A	118 Oz. R410A	126 Oz. R410A
ALARMA DE ALTA PRESIÓN DE REFRIGERANTE	600 PSI (reinicio a 460 PSI)							
ALARMA DE BAJA PRESIÓN DE REFRIGERANTE - UNIDADES DE CALEFACCIÓN	58 PSI (reinicio a 127 PSI)							
ALARMA DE BAJA PRESIÓN DE REFRIGERANTE - UNIDADES DE REVERSA	35 PSI (reinicio a 74 PSI)							
ALARMA DE BAJO FLUJO DE AGUA	20 GPM							
ALTURA MÁXIMA POR DEBAJO DEL NIVEL DE AGUA	10 pies por debajo del nivel de la piscina							
ALTURA MÍNIMA POR ENCIMA DEL NIVEL DE AGUA	5 pies por encima del nivel de la piscina							
FLUJO ÓPTIMO DE AGUA	30 GPM	42 GPM	48 GPM	48 GPM	57 GPM	57 GPM	57 GPM	57 GPM
FLUJO MÍNIMO DE AGUA	20 GPM							
FLUJO MÁXIMO DE AGUA	70 GPM							
CIRCULACIÓN DE AIRE	3600 CFM							
DIFERENCIAL DE TEMPERATURA DE AGUA (DELTA T)	Ajustable entre 1°F a 5°F							
TAMAÑO DE LA UNIÓN	2"							
PESO	175 lbs	220 lbs	223 lbs	223 lbs	228 lbs	230 lbs	228 lbs	230 lbs

* Condiciones de prueba: 80° F Aire, 80% Humedad Relativa 80° F Agua, Fuera del alcance del Estándar AHRI 1160 (I-P)

** Clasificado de acuerdo con el Estándar AHRI 1160 (I-P)

*** La protección máxima contra sobrecorriente se refiere al tamaño máximo de disyuntor permitido. Si este valor no es un tamaño estándar de disyuntor, use el siguiente disyuntor de tamaño estándar más pequeño. El tamaño del disyuntor no debe ser menor al valor de Ampacidad Mínima del Circuito.

Figura 1. Dimensiones de las bombas de calor Jandy Pro serie JE

spa por una cerca sólida de 5 pies (1,5 metros) u otra barrera permanente.

En instalaciones Canadienses, la distancia mínima a mantener desde la pared interna de la piscina o spa es de 3 metros (aprox. 10 pies).

Base del equipo

Coloque la bomba de calor en una superficie plana levemente inclinada, tal como una losa de concreto o fabricada (base). Esto permite un drenaje apropiado de la condensación y el agua de lluvia de la base de la unidad. De ser posible, la base debe colocarse al mismo nivel o levemente más alto que la base del equipo del sistema de filtrado.

NOTA Asegúrese de que la base no esté inclinada más de 1/4 pulgada por pie hacia el extremo del compresor (frente) de la bomba de calor. Incline la losa desde atrás hacia adelante 1/4 pulgada por pie como máximo y nivele de lado a lado.

Condensación y drenaje

La condensación ocurrirá en la bobina del evaporador mientras la unidad está funcionando y drenará a estado estable, usualmente 3 a 5 galones (11,4 a 18,9 litros) por hora, según la temperatura y humedad ambiente. Cuanto más húmedas son las condiciones del ambiente, más condensación se producirá. Mantenga los orificios de drenaje de la base de la unidad despejados de escombros.

Si la bomba de calor se instala en el interior*, se debe proporcionar un medio de desecho de la condensación.

*Las instalaciones en interior requieren consulta con la fábrica

Rociadores para césped

Impida que los cabezales de los rociadores para césped rocien sobre la bomba de calor para prevenir corrosión y daños. Use un deflector de ser necesario.

Tabla 2. Espacio libre de la bomba de calor

Lado de la bomba de calor	Espacio libre mínimo para la operación		Espacio libre recomendado para el mantenimiento	
	Pulgadas	Centímetros	Pulgadas	Centímetros
Adelante	24	60	36	90
Atrás	12	30	24	60
Izquierdo	12	30	24	60
Derecho	12	30	24	60
Arriba	60	150	60	150

NOTA: Los espacios libres enumerados en la Tabla 2 son los valores probados por el fabricante. Estos se proporcionan como valores mínimos. Cuando sean de aplicación los códigos locales y nacionales, y los valores sean diferentes a los enumerados en la Tabla 2, use el mayor valor para garantizar una operación segura y apropiada.

Caída del techo

Asegúrese de que la bomba de calor no se ubique donde grandes cantidades de agua pueden caer de un techo sobre la unidad. Los techos con pendientes pronunciadas sin alcantarillas permitirán que grandes cantidades de agua de lluvia, mezclada con escombros del techo caigan sobre la unidad. Puede ser necesaria una alcantarilla o canaleta para proteger la bomba de calor.

Instalación de las abrazaderas de anclaje

En Florida, los códigos de construcción requieren que la bomba de calor se ancle a la base o plataforma del equipo para soportar altas presiones de viento creadas durante huracanes. Otras jurisdicciones pueden tener requisitos similares. Consulte sus códigos locales para obtener más información.

Esta bomba de calor contiene abrazaderas de anclaje destinadas a sostener la unidad a la base del equipo en condiciones de vientos fuertes. Se recomienda la instalación de las abrazaderas de anclaje en todas las instalaciones y es obligatoria en Florida (consulte el Código de Construcción de Florida, Sección Mecánica 301.13).

Para instalar las abrazaderas de anclaje:

1. Asegúrese de que la bomba de calor se encuentre en su ubicación permanente en la base del equipo.
2. Coloque las abrazaderas en la base de la bomba de calor en las ubicaciones indicadas en la Figura 2.
3. Coloque el gancho de cada abrazadera sobre el labio en el panel de la base de la bomba de calor. El gancho debe colocarse entre el labio del panel de la base y la protección de la bobina del evaporador (vea la Figura 3).
4. Marque la posición del orificio en cada abrazadera en la base del equipo.
5. Perfore un orificio en el cemento usando una broca de taladro para albañilería, con un diámetro determinado por el ancla de concreto, en cada una de las marcas de la base del equipo. El orificio debe tener una profundidad de aproximadamente 1-3/4".
6. Inserte un ancla con perno en cada uno de los orificios. Asegúrese de que las anclas se asienten por completo en los orificios.
7. Coloque las abrazaderas del ancla de tal forma que los orificios en las abrazaderas se encuentren sobre las anclas con pernos. Asegúrese de que los ganchos de la abrazadera estén sobre el labio de la base de la bomba de calor (vea la Figura 3).
8. Inserte un perno con ancla a través de cada abrazadera en el ancla y ajuste para sujetar la abrazadera y la bomba de calor a la base del equipo.

Sección 3. Conexiones de agua

3.1 Distribución hidráulica

La Figura 4 ilustra la distribución hidráulica estándar con una única unidad de bomba de calor. Siguiendo el diagrama de derecha a izquierda, la secuencia hidráulica es la siguiente:

Piscina > Bomba de la piscina > Filtro > Bomba de calor > Válvula de antirretorno > Bucle químico > Clorinador > Piscina

NOTA Para instalaciones normales, no instale una válvula de cierre o alguna clase de restricción variable en la tubería de agua entre la salida de la bomba de calor y la piscina/spa.

La disposición de los componentes del sistema de piscina que no estén ilustrados en los diagramas anteriores y siguientes puede afectar la operación del interruptor de presión de agua de la bomba de calor. La ubicación de la bomba de calor encima o debajo de la superficie del agua de la piscina también afecta la operación del interruptor. Por lo general, el interruptor de presión se puede ajustar para darle cabida a este efecto si las conexiones de agua de la bomba de calor están a no más de 10 pies por debajo de la superficie del agua de la piscina y a no más de 5 pies por encima de ella. Para obtener más información, véanse las instrucciones para el ajuste del interruptor de presión (Sección 5.6) en la sección de puesta en marcha de este manual. Si la bomba de calor se instala fuera de este rango, puede necesitarse la instalación

de un interruptor de flujo externo en la hidráulica flujo arriba de la bomba de calor. Contacte al departamento de asistencia técnica de Zodiac al (800) 822-7933.

Note que cuando el equipo de la piscina está ubicado por debajo de la superficie de la piscina, una fuga puede resultar en grandes pérdidas de agua o inundación. Zodiac no se responsabiliza por dichas pérdidas o inundaciones ni por el daño causado por estas situaciones.

3.2 Conexiones de agua en la bomba de calor

Se han colocado tapones de envío en los puertos de entrada y salida de agua de la bomba de calor en la fábrica. antes de instalar conexiones hidráulicas, retire los tapones de envío. El agua filtrada se conduce a la entrada, ubicada en el lado derecho del panel delantero de la bomba de calor. El agua caliente fluye por la salida, ubicada en el lado izquierdo del frente de la bomba de calor. Se incluyen uniones de dos pulgadas.

Debe conectarse cañería plástica (PVC Tipo 40) a la bomba de calor. Las uniones provistas con la unidad aceptan caños de PVC de 2".

PRECAUCIÓN

Asegúrese de que puedan mantenerse los requisitos de flujo y la velocidad del ciclo del agua de la piscina con la instalación de bombas de calor adicional y restricciones hidráulicas.

3.3 Instalación de la válvula de antirretorno

ADVERTENCIA

La válvula antirretorno puede interferir con el funcionamiento correcto de determinados productos del sistema de liberación de vacío por succión (SVRS). Para evitar el riesgo potencial de quedar atrapado, sufrir lesiones graves o incluso la muerte, asegúrese de revisar el manual de funcionamiento/ del usuario de su producto SVRS, en particular antes de instalar la válvula antirretorno.

La bomba de calor debe protegerse del efecto de sifón de retorno del agua. Si existe la posibilidad del efecto de sifón de retorno, provea una válvula de antirretorno entre la piscina y la entrada de la bomba de filtrado.

Cuando en la tubería se encuentra instalado un alimentador químico automático, debe instalárselo corriente abajo de la bomba de calor. Entre la bomba de calor y el alimentador químico debe instalarse una válvula antirretorno para evitar el sifón de retorno de agua químicamente saturada en la bomba de calor, lo que dañaría los componentes.

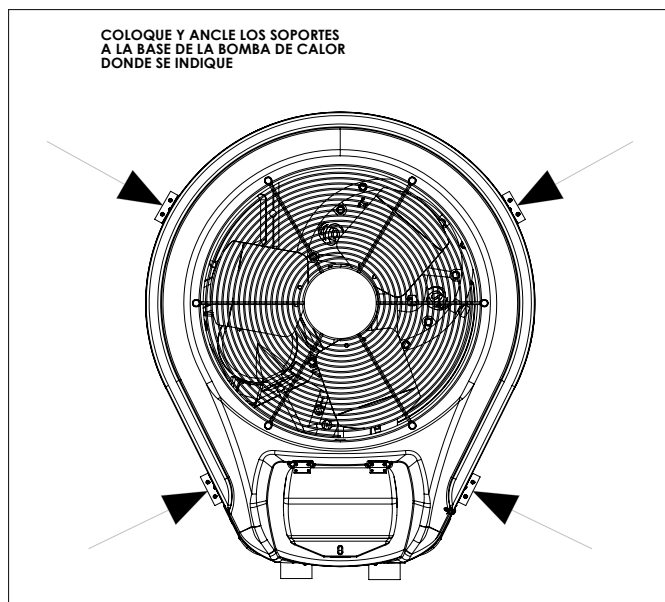


Figura 2. Posiciones de la abrazadera de anclaje

3.4 Instalación de unidades múltiples

Combinación de bomba de calor y calentador

En ciertas regiones del país puede ser más económico hacer funcionar una bomba de calor durante los meses más cálidos y un calentador a gas durante los meses más fríos.

En algunas situaciones puede ser deseable hacer funcionar la bomba de calor en el modo de "Enfriador" durante la porción más cálida del año y un calentador durante los meses más fríos.

La bomba de calor Zodiac® puede conectarse con un calentador eléctrico o a gas o cualquier combinación de fuentes de calor, incluida la energía solar. Todas las fuentes de calor deben conectarse en serie para funcionar de forma correcta y eficiente.

La Figura 5 ilustra una disposición hidráulica recomendada para un sistema de calentamiento combinado de bomba de calor / calentador / solar para una combinación de piscina / spa. Es posible que su sistema no contenga todos estos componentes, pero la hidráulica básica será de aplicación eliminando el componente de la ilustración que no sea parte de su sistema.

Múltiples conexiones de la bomba de calor

Toda la hidráulica en las instalaciones de múltiples bombas de calor debe realizarse en paralelo (vea las Figuras 6 y 7). Es importante obtener un flujo equivalente de agua en cada bomba de calor para una operación óptima.

NOTA Puede ser necesario ajustar el interruptor de presión de agua si una unidad se instala por debajo del nivel del agua. Vea la Sección 5.6 para obtener información acerca de cómo y cuándo ajustar el interruptor de presión.

NOTA Cada bomba de calor permite un caudal de flujo máximo de 70 gpm (265 lpm) y requiere un mínimo de 20 gpm (76 lpm).

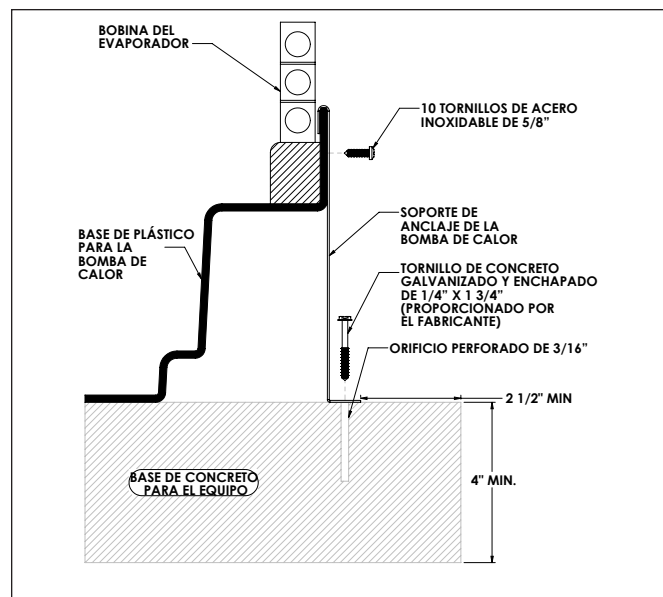


Figura 3. Instalación de la abrazadera de anclaje

Sección 4. Conexiones eléctricas

4,1 Información general

Todo el cableado debe ser igual al que se muestra en el diagrama de cableado que se encuentra en la parte interna del compartimento de acceso de la bomba de calor (vea la Figura 8 para cableado eléctrico monofásico y la figura 9 para cableado eléctrico trifásico). La bomba de calor debe influir un medio definitivo de conexión a tierra. Existe una lengüeta de puesta a tierra a la derecha de la bomba de calor, y aquí debe ponerse el cable de puesta a tierra.

4.2 Energía principal

El cableado eléctrico de la bomba de calor debe estar en conformidad con la última edición del Código Eléctrico Nacional® (NEC®), ANSI/Asociación Nacional de Protección contra Incendios (NFPA 70®) en los Estados Unidos, y en Canadá, el Código Eléctrico Canadiense (CSA® C22.1), a menos que los requerimientos de códigos locales indiquen algo diferente.

La bomba de calor viene cableada de fábrica destinada para usar con suministro eléctrico en el campo de 230 VCA, 60 Hz monofásico o trifásico según el modelo. Vea la placa de especificaciones para conocer las especificaciones eléctricas. Todo el cableado debe ser realizado por un electricista profesional.

A continuación se incluye el procedimiento para cablear la bomba de calor Jandy Pro serie JE a la fuente eléctrica especificada en la placa de especificaciones:

1. Asegúrese de que la energía del circuito para la bomba de calor esté apagado.
2. Retire los cinco (5) tornillos que sujetan el panel de servicio/acceso a la unidad de la bomba de calor (vea la Figura 10).
3. Retire la cubierta delantera de la caja terminal.
4. Las líneas de suministro eléctrico deben tenderse a través de conductos impermeables. Coloque los cables y el conducto por el disco removible designado para alto voltaje en el lado derecho de la bomba de calor. Conecte a la parte inferior de la caja terminal de metal laminado. Vea la Figura 10 para conocer la ubicación del disco removible.
5. Conecte los cables a los terminales en el contactor principal como se muestra en los diagramas de cableado. Consulte las Figuras 8 y 9.
6. Conecte el cable a tierra a la lengüeta de tierra provista en el compartimiento eléctrico.
7. Reemplace la cubierta de la caja terminal.
8. Reemplace el panel de acceso de servicio y reemplace los tornillos para sujetarlo en su lugar.
9. Conecte a un cable a tierra de cobre (8 AWG). (En Canadá, no debe ser inferior a 6 AWG (13,3 mm²) con la lengüeta de tierra en el lado derecho de la bomba de calor.

ADVERTENCIA

RIESGO DE ELECTROCHOQUE. Esta bomba de calor contiene cableado de alto voltaje. El contacto con este cableado puede resultar en una lesión severa o la muerte. Desconecte el circuito de energía antes de conectar la bomba de calor

PRECAUCIÓN

Etiquete todos los cables antes de desconectarlos cuando le esté haciendo el mantenimiento a los controles. Errores en el cableado pueden causar una operación inapropiada y peligrosa. Asegúrese de que esté operando en forma correcta después de llevar a cabo el mantenimiento.

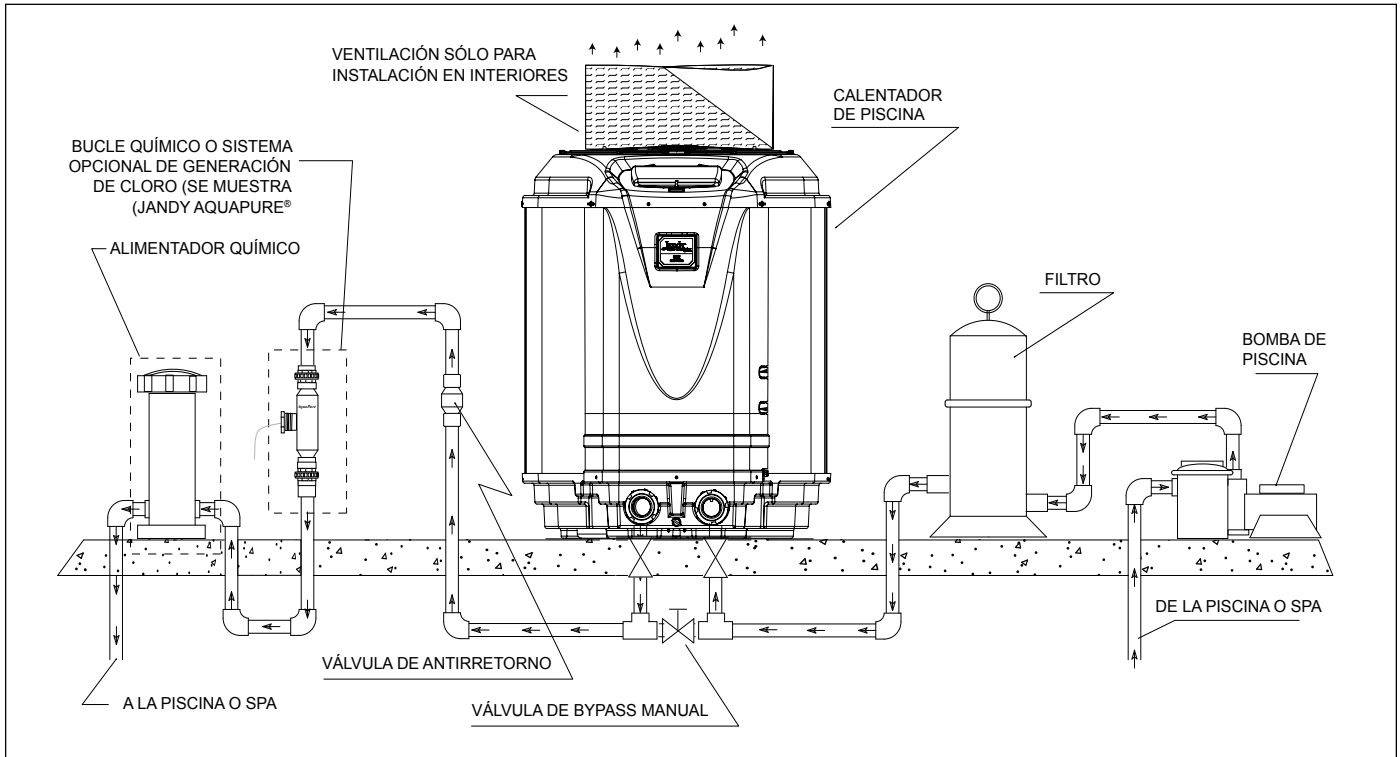


Figura 4. Distribución hidráulica estándar

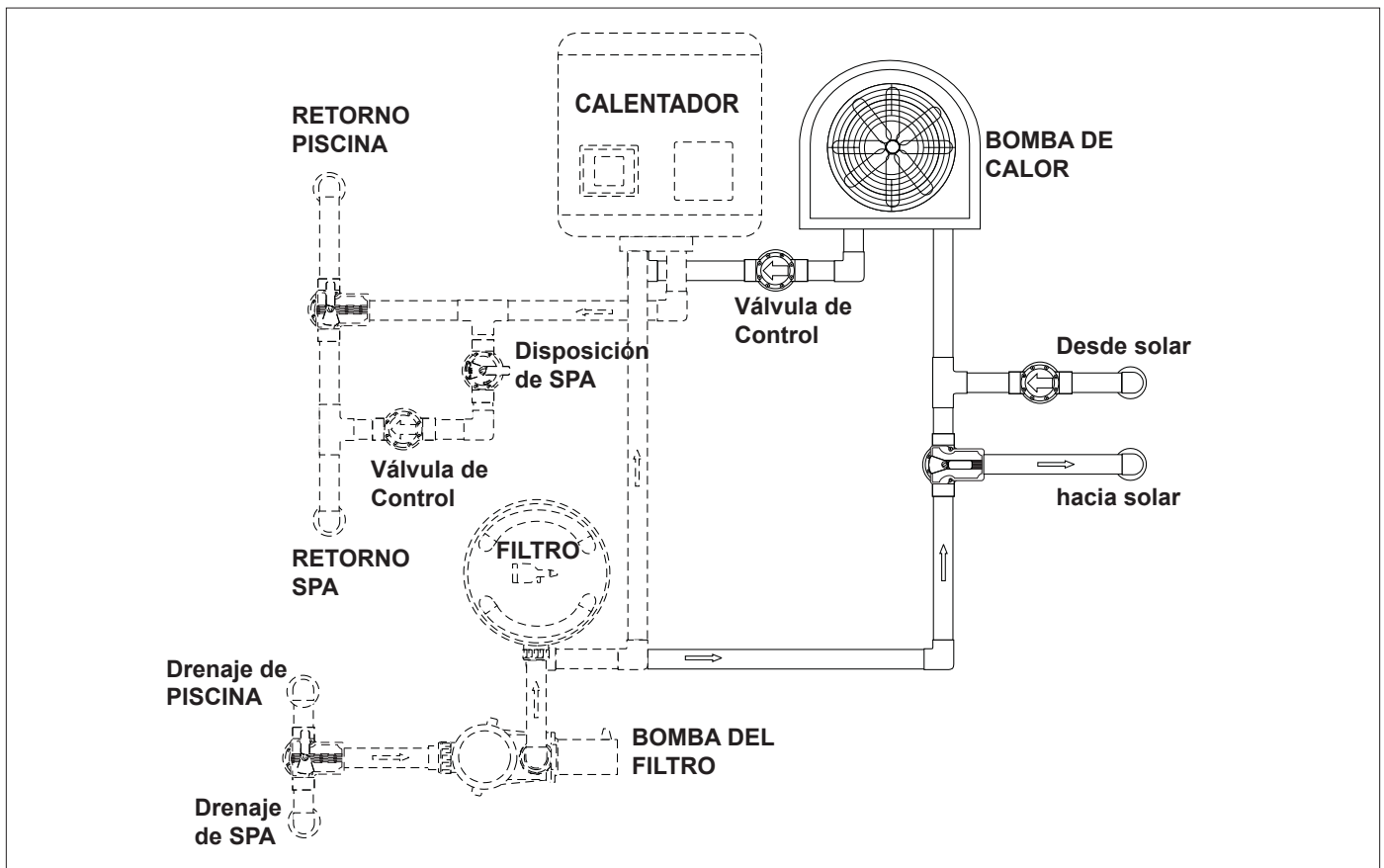


Figura 5. Hidrúlica de combinaciones del sistema de calefacción

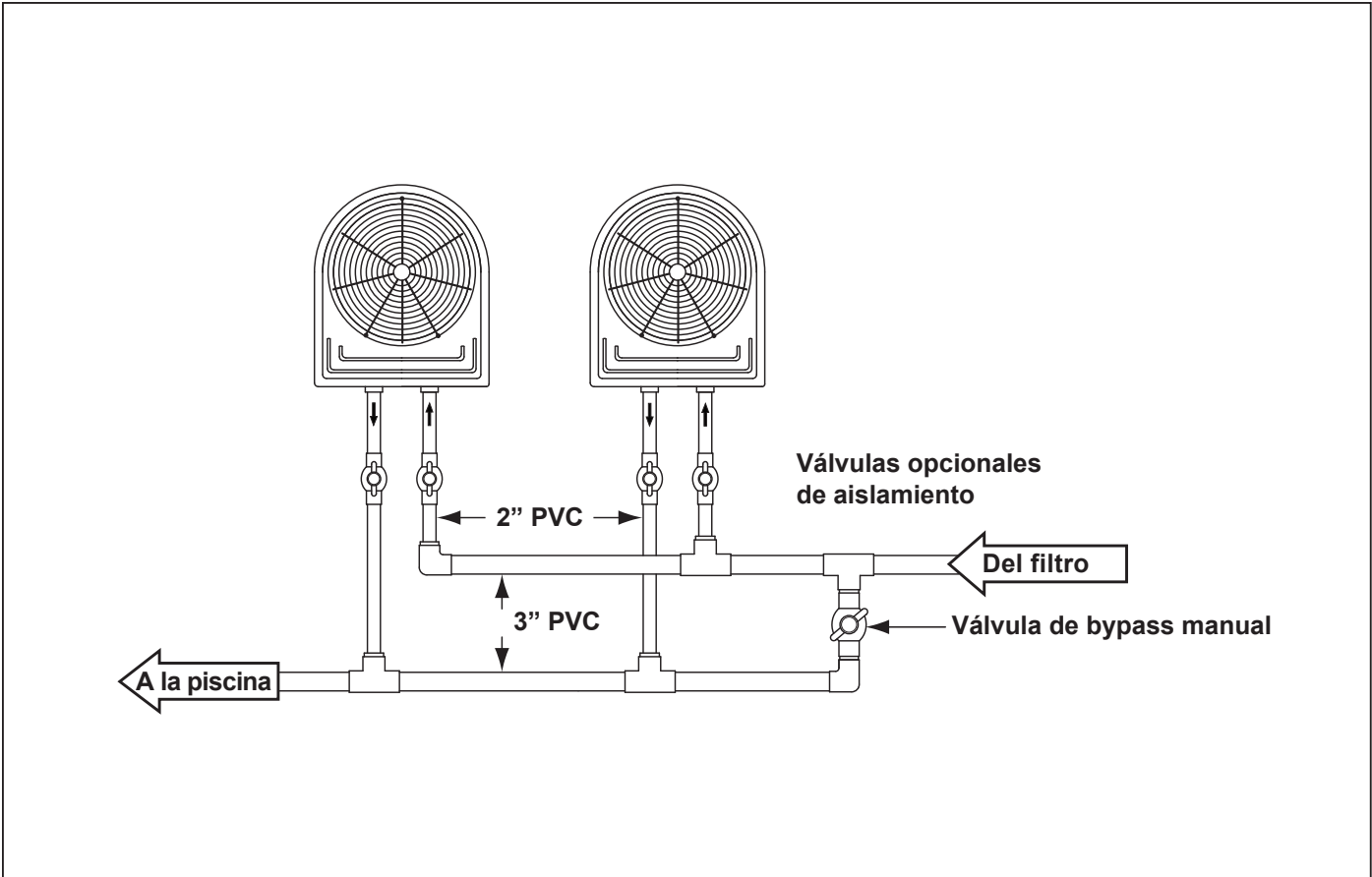


Figura 6. Distribución hidráulica para dos (2) bombas de calor

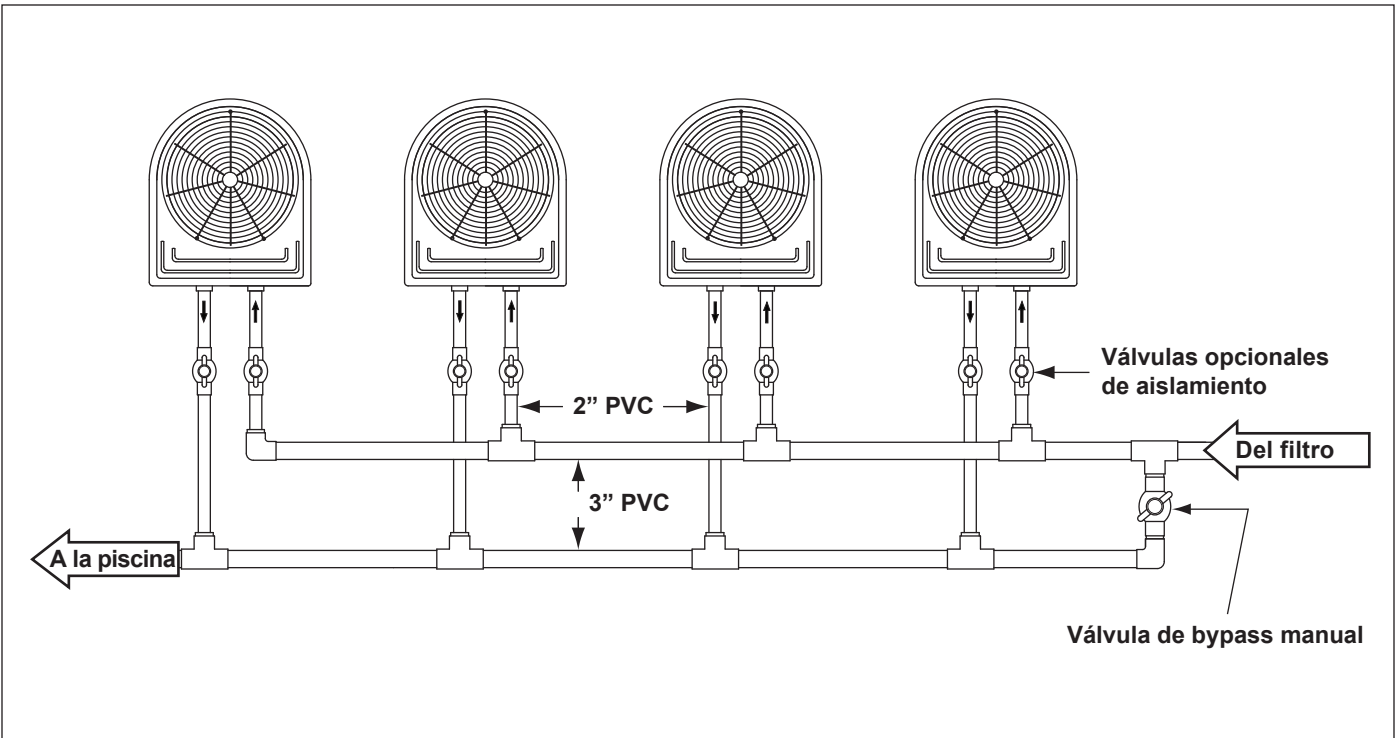


Figura 7. Distribución hidráulica para cuatro (4) bombas de calor

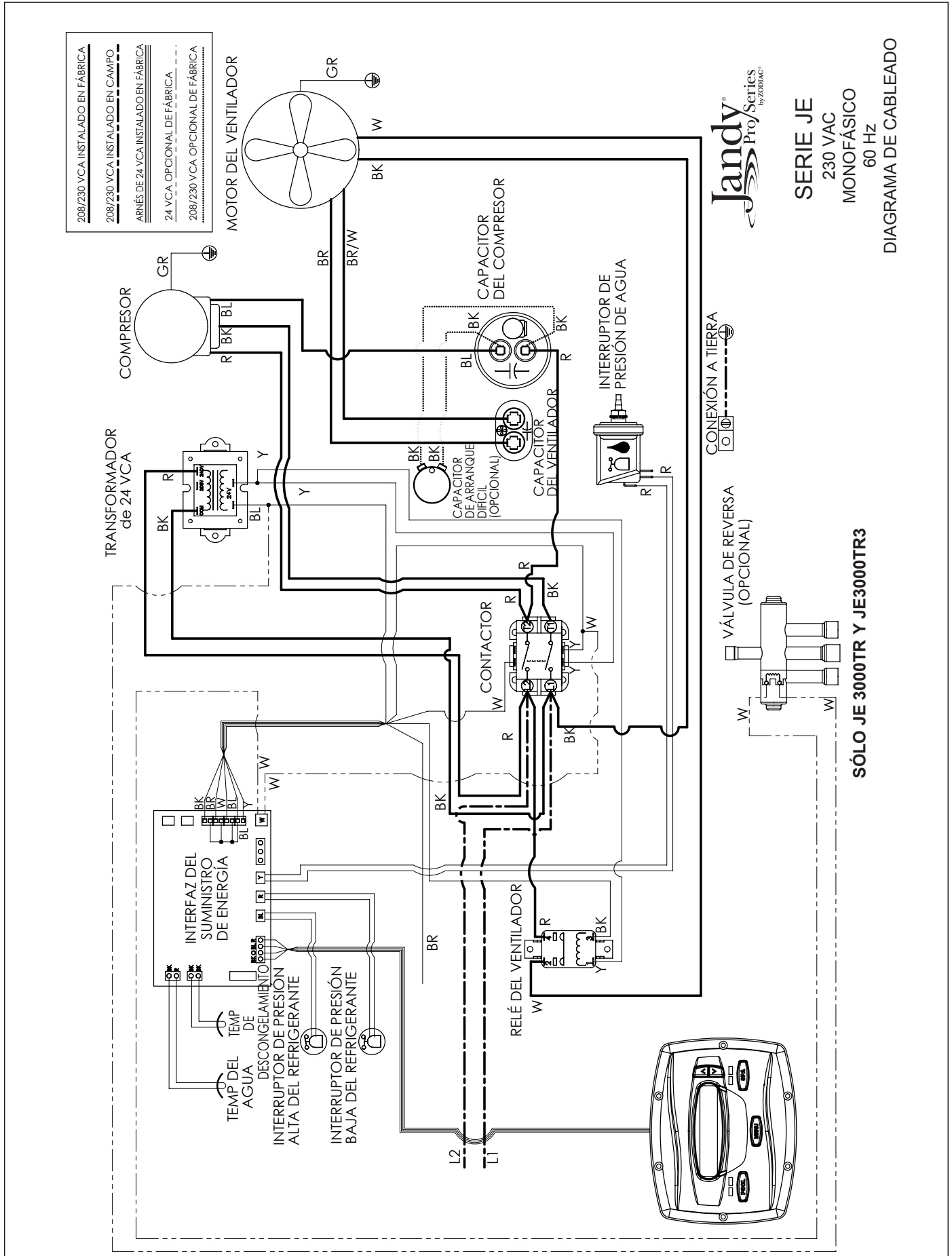


Figura 8. Diagrama de cableado de suministro eléctrico monofásico de JE

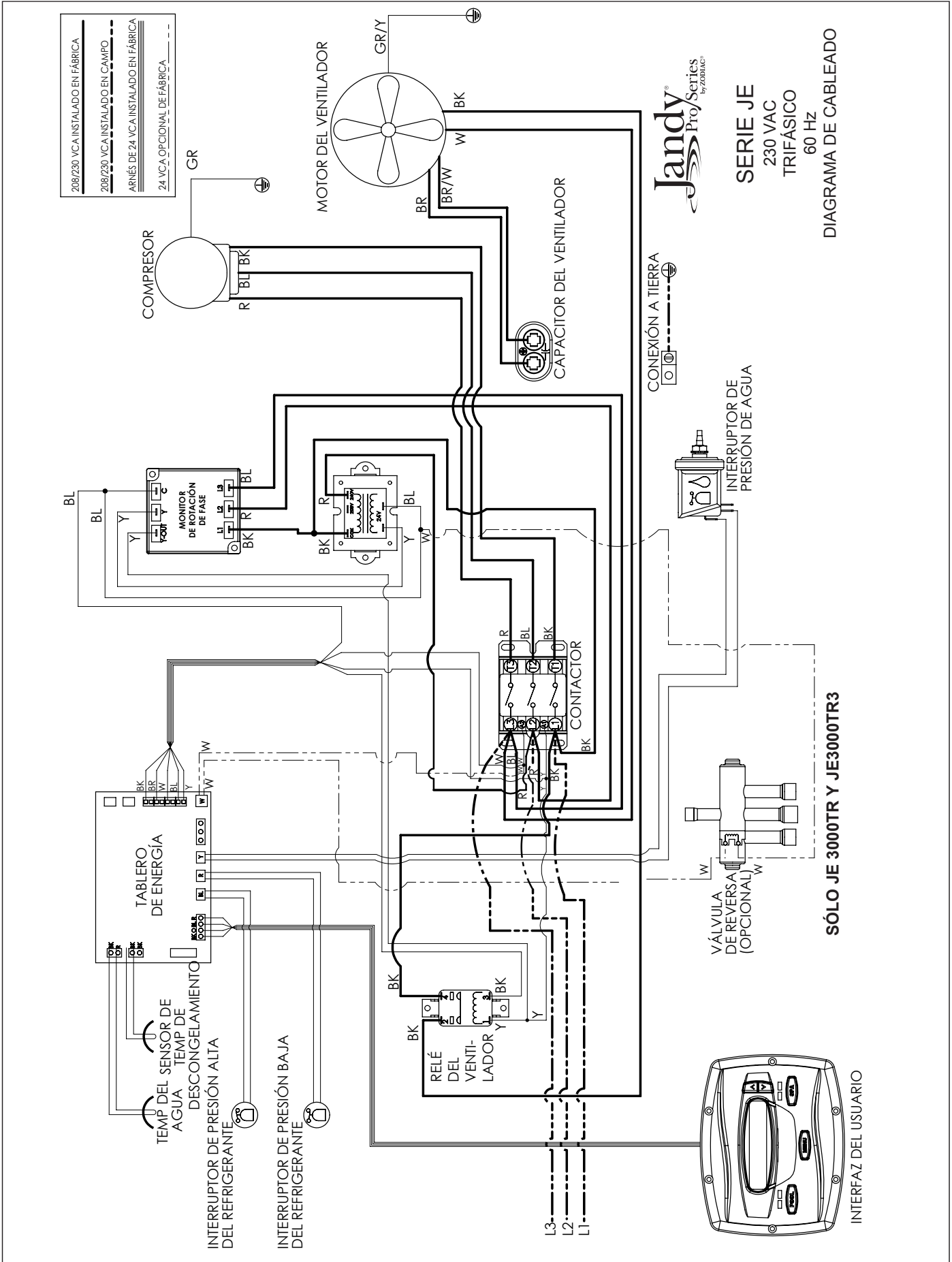


Figura 9. Diagrama de cableado de suministro eléctrico trifásico de Jandy Pro serie JE

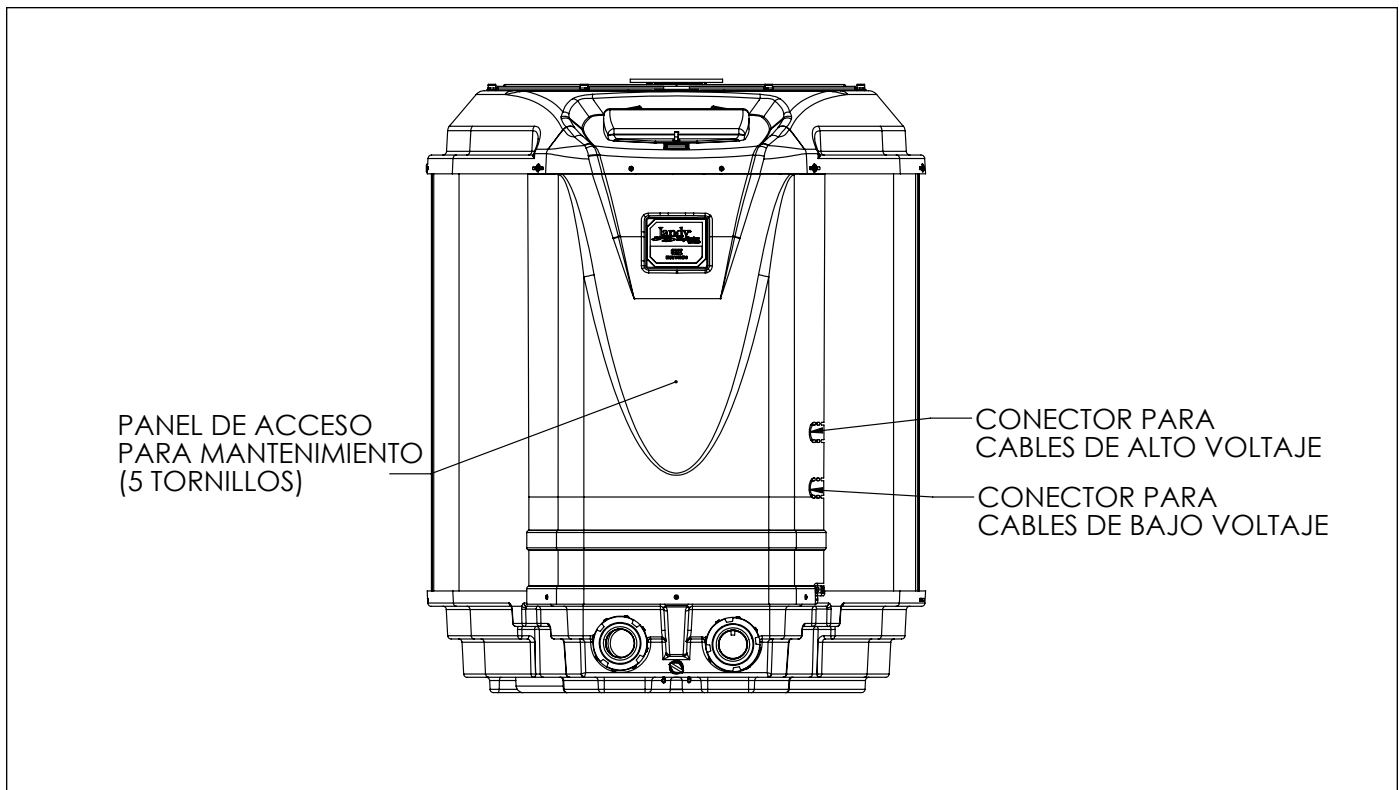


Figura 10. Vista delantera de la bomba de calor Jandy Pro serie JE

4.3 Conexiones eléctricas y puesta a tierra

⚠ PRECAUCIÓN

Este calentador debe conectarse a una grilla de conexión con un cable de cobre sólido con un diámetro no inferior a 8 AWG (en Canadá, debe ser no inferior a 6 AWG.)

El Código Eléctrico Nacional® y la mayoría de los demás códigos de EE. UU. exigen que todos los componentes metálicos de la estructura de una piscina, incluidos los refuerzos de acero, accesorios y componentes de metal sobre el nivel del suelo estén conectados a tierra todos juntos con un conductor de cobre sólido no menor a 8 AWG. La bomba de calor, junto con las bombas y otros equipos de la piscina deben conectarse a esta grilla de puesta a tierra. Se incluye una lengüeta de puesta a tierra en el lado derecho de la bomba de calor para cumplir con este requisito.

4.4 Controles remotos opcionales

El cableado eléctrico debe cumplir todos los códigos y ordenanzas nacionales y locales de aplicación.

Conexión a un selector remoto Piscina-Apagado-Spa (conexión de 3 cables)

Instalación del selector remoto de Piscina-Apagado-Spa

1. Desconecte la energía del sistema de control de la piscina/spa y la unidad de la bomba de calor.
2. Retire los tornillos que sujetan el panel de servicio/acceso a la unidad de la bomba de calor y la cubierta de la caja terminal (vea la Figura 10).

3. Tienda los cables desde el sistema de control de la piscina/spa en la conexión del conducto etiquetada “Conexión de Bajo Voltaje”, que se ubica en el lado inferior derecho de la bomba de calor (vea la Figura 10).
4. Conecte el cableado desde el sistema de control de la piscina/spa al terminal remoto de la bomba de calor (vea la Figura 11a).
5. Restaure el suministro de energía que va al sistema de control de la piscina/spa y a la bomba de calor.

Configure el Panel de Control

1. Asegúrese de que el control esté en la modalidad **OFF** (apagado).
2. Para tener acceso a la modalidad Service Setup (configuración del mantenimiento), presione y mantenga presionadas las teclas **MENU** (menú), **POOL** (piscina), y **SPA** durante 5 segundos.

NOTA La pantalla volverá a **OFF** (apagado) después de un minuto de presionar la última tecla.

3. Presione el botón **Up** (Arriba) o **Down** (Abajo) para mostrar **REMOTE** (remoto). Presione la tecla **MENU** (menú). Aparece la leyenda **SELECT REMOTE OFF** (seleccionar apagar remoto) (remoto predeterminado), use el botón **Up** (Arriba) o **Down** (Abajo) para avanzar por las opciones del control remoto. Cuando llegue a **HI-LO-COM**, presione la tecla **MENU** (menú) para seleccionar el remoto. Presione **POOL** (piscina) o **SPA** (spa) para salir de la modalidad Configuración del mantenimiento.

Conexión de dos cables a AquaLink® RS o TSTAT

Configure el sistema de control AquaLink RS

1. Desconecte la energía del sistema de control de la piscina/spa y la unidad de la bomba de calor.
2. Conecte dos (2) cables a los terminales verdes de AquaLink RS de 10 pines 1 y 2.
3. Coloque DIP S2-1 (pin N.º 1 del interruptor DIP (inmersión) de 4 posiciones) en la posición ON (encendido) (vea la Figura 12).

Instale el TSTAT remoto

1. Desconecte la energía del sistema de control de la piscina/spa y la unidad de la bomba de calor.
Retire los tornillos que sujetan el panel de servicio/ acceso a la unidad de la bomba de calor y la cubierta de la caja terminal (vea la Figura 10).
3. Tienda los cables desde el sistema de control de la piscina/spa en la conexión del conducto etiquetada “Conexión de Bajo Voltaje”, que se ubica en el lado inferior derecho de la bomba de calor (vea la Figura 10).
4. Conecte el cableado desde el sistema de control de la piscina/spa al terminal remoto de la bomba de calor (vea la Figura 11b).
5. Restaure el suministro de energía que va al sistema de control de la piscina/spa y a la bomba de calor.

Configure el Panel de Control

1. Asegúrese de que el control esté en la modalidad **OFF** (apagado).
2. Para tener acceso a la modalidad Service Setup (configuración del mantenimiento), presione y mantenga presionadas las teclas **MENU** (menú), **POOL** (piscina), y **SPA** durante 5 segundos.

NOTA La pantalla volverá a **OFF** (apagado) después de un minuto de presionar la última tecla.

3. Presione el botón **Up** (Arriba) o **Down** (Abajo) para mostrar **REMOTE** (remoto). Aparece la leyenda **SELECT REMOTE OFF** (seleccionar apagar remoto) (remoto predeterminado), use el botón **Up** (Arriba) o **Down** (Abajo) para avanzar por las opciones del control remoto. Cuando llegue a **REMOTE TSTAT** (termostato remoto), presione la tecla **MENU** (menú) para seleccionar el remoto. Presione **POOL** (piscina) o **SPA** (spa) para salir de la modalidad Configuración del mantenimiento.
4. Presione la tecla **SPA**. Para calefacción, regule el valor de consigna al ajuste máximo. Para refrigeración, regule el valor de consigna al ajuste mínimo.

Conexión RS485 (4 cables) a AquaLink® RS

1. Confirme que las revisiones del software de la bomba de calor Jandy Pro serie JE y AquaLink RS sean compatibles.

Revisión del software de la interfaz de energía de la bomba de calor Jandy Pro serie JE	Revisión del software de AquaLink® RS
3.0 o posterior	N o posterior

- NOTA** Sólo un chip del programa de revisión “N” o superior en el sistema RS admitirá la interfaz de la bomba Jandy Pro Serie JE.
2. Desconecte la energía de la bomba de calor y el control RS y abra la unidad del Centro de Energía RS y retire el panel muerto delantero.
 3. Retire los dos (2) tornillos que sujetan el bisel en su lugar y gire el bisel para ver el tablero de circuitos en la parte posterior.
 4. Ubique el chip programado en el Tablero del Centro de Energía. En el centro del chip figura la letra de la revisión. Si la letra de la revisión es “N” o superior avance al paso 5. Si el nivel de revisión es “MMM” o inferior, reemplace el tablero o conecte como se indica en la Sección 4.5

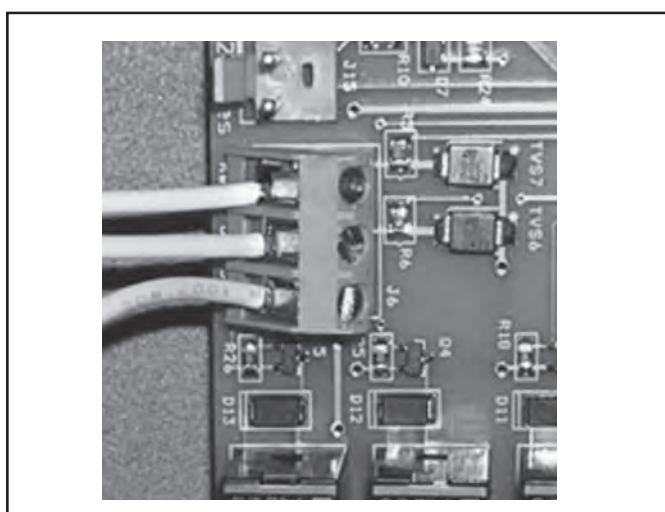


Figura 11A. Conexión remota de Piscina-Apagado-Spa (Conexión de 3 cables)

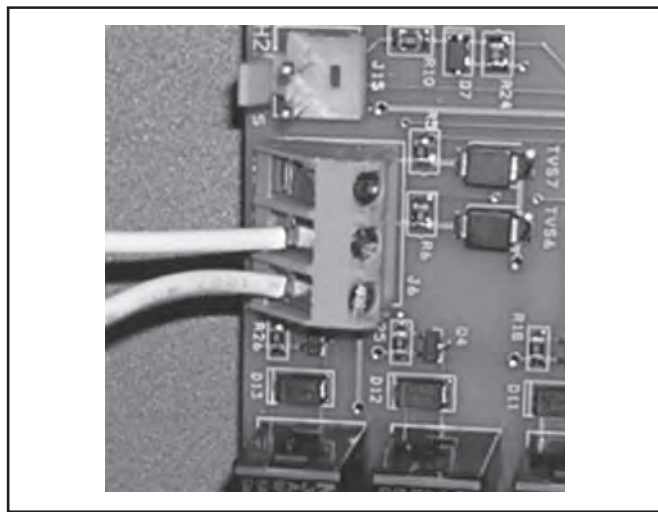


Figura 11B. AquaLink RS o conexión al TSTAT remoto (Conexión de 2 cables)

- Utilice un cable de 4 conductores y de calibre 22 (pieza Zodiac® N.º 4278) para extenderlo entre la bomba de calor y el control RS, y haga concordar el orden de color de los cables.
- Los cables que vienen de la bomba de calor Jandy Pro Serie JE se pueden “doblar” en la barra terminal roja con los cuatro (4) cables que vienen del controlador interior.

NOTA Si necesita instalar más de dos cables por terminal, ordene un Kit Multiplex de PCB de Zodiac®, el cual incluye el Tablero Multiplex (pieza de Zodiac N.º 6584). Nunca ponga más de dos (2) cables en cada clavija de la barra terminal.

- Inspeccione todo el cableado y luego conecte la energía eléctrica a la bomba de calor y al sistema de control RS. La operación se puede verificar, tanto en la modalidad Auto (automático), como en la modalidad Service (mantenimiento). Consulte el manual del sistema de control RS para ver las instrucciones sobre la operación.

Cuando la bomba de calor Jandy Pro Serie JE se conecta por primera vez y hay un control RS conectado a la bomba de calor, la pantalla en la bomba de calor indicará **“JANDY REMOTE ONLINE PUSH MENU TO DISABLE”** (Remoto Jandy conectado. Presione menú para desactivarlo). Cuando la bomba de calor JE está en línea con el control RS, todas las funcionalidades de la bomba de calor están desactivadas. Las funciones de la bomba de calor sólo se pueden controlar en la unidad RS.

Para usar temporalmente los controles de la bomba de calor, presione el botón **MENU** (menú). El mensaje **“JANDY REMOTE ONLINE PUSH MENU TO DISABLE”** (Remoto Jandy conectado. Presione menú para desactivarlo) desaparecerá de la pantalla de la bomba de calor. A este punto, todas las funcionalidades habrán regresado al control

de la bomba de calor. En esta modalidad, la unidad RS ya no controla más la bomba de calor.

Para devolver la funcionalidad a la unidad RS, empiece un ciclo (desconecte y vuelva a conectar) en la electricidad que va al calentador, o presione la tecla **MENU** (menú) durante 5 segundos para entrar a la modalidad Configuración del usuario, y entonces active el control remoto de Zodiac.

NOTA En caso de que se conecten más de dos (2) componentes al conector rojo de 4 clavijas del centro de potencia RS, se requiere un Multiplex de PCB.

Conexión a una interfaz de usuario secundaria

- Desconecte la energía de la bomba de calor.
- Retire los cinco (5) tornillos que sujetan el panel frontal a la bomba de calor y retire la cubierta de la caja terminal. Véase la Figura 10.
- Extienda cuatro (4) cables de cobre sólido de 22 AWG en el conducto etiquetado “Conexión de Bajo Voltaje” que se ubica en el lado inferior derecho de la bomba de calor. Véase la Figura 10. Los cables pueden tener hasta 300 pies (91,4 m) de longitud.
- Conecte los cables al terminal de 4 posiciones en la esquina superior izquierda del Tablero PC de Interfaz de Energía, etiquetado “Interfaz de Usuario1”. Los cables se agregarán al cableado existente de la Interfaz de Usuario instalada en la bomba de calor.
- Asegúrese de que el cableado sea consistente al conectar los cables a la segunda Interfaz de Usuario. Por ejemplo, BK va con BK, O va con O, etc.
- Vuelva a instalar la cubierta de la caja terminal y el panel de acceso de servicio y restablezca la energía de la bomba de calor.

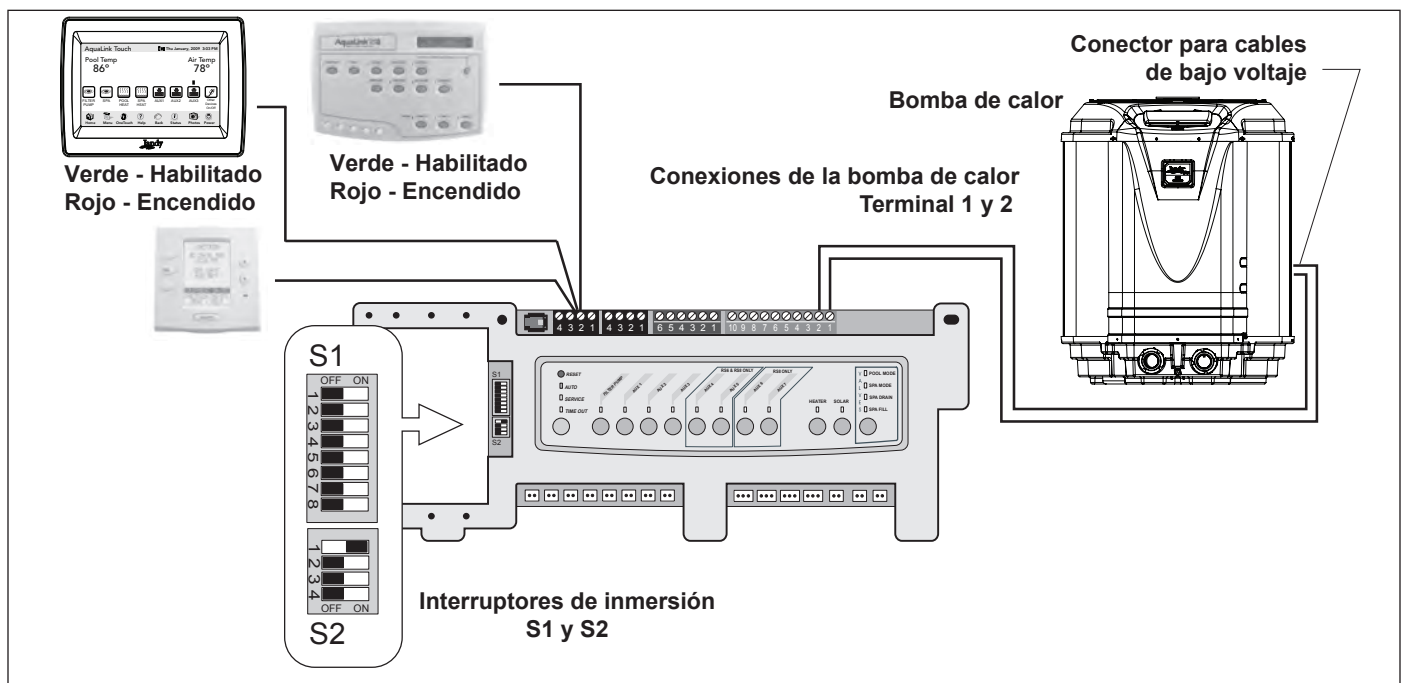


Figura 12. Conexión AquaLink RS a la bomba de calor Jandy Pro Serie JE - T-Stat (2 cables)

Sección 5. Operación

⚠ PRECAUCIÓN

No utilice esta bomba de calor si alguna parte ha quedado bajo el agua. Llame a un técnico de servicio autorizado para que inspeccione el calentador y reemplace todas las piezas del sistema de control que hayan estado bajo agua.

⚠ PRECAUCIÓN

Mantenga la cubierta de la bomba de calor libre de objetos. Bloquear el flujo de aire podría dañar la unidad y anular la garantía.

5.1 Precauciones para el arranque inicial

Asegúrese de que haya agua en la piscina y que el nivel de la superficie se encuentre por encima del colector de espuma u otra entrada del sistema de filtrado de la piscina.

Con cualquier nueva instalación en una piscina o spa, opere la bomba del filtro con la bomba de calor apagada por el tiempo suficiente como para limpiar el agua por completo. Esto eliminará del agua cualquier residuo de la instalación. Limpie el filtro al final de esta operación antes de poner en marcha la bomba de calor. Al elevar la temperatura de una piscina fría, programe el reloj para que haga funcionar la bomba de forma continua.

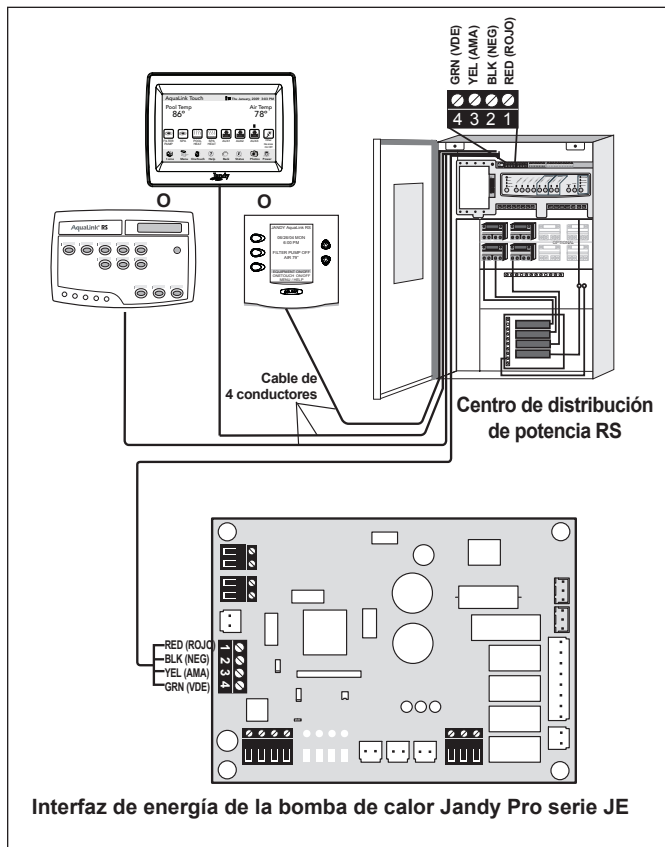


Figura 13. Conexión de la bomba de calor Jandy Pro Serie JE al Centro de Energía - RS485 (4 cables)

Esto permite que la operación del filtro y la bomba de calor continúen hasta que la temperatura del agua alcance lo programado en el control de temperatura. Cuando eso suceda, la bomba de calor se apagará automáticamente, pero la bomba de filtrado seguirá en funcionamiento.

5.2 Operación del controlador

Su nueva bomba de calor Jandy Pro Serie JE se controla por medio de un controlador que funciona en base a un microprocesador avanzado, el cual provee una interfaz sofisticada y al mismo tiempo sencilla, para operar su bomba de calor a la máxima eficiencia y para que usted disfrute de su piscina. Para ubicar los botones del control, vea figura 14.

Modo de apagado

Cuando el panel de control está apagado, la pantalla muestra **HEAT PUMP IS OFFPRESS POOL OR SPA** (la bomba de calor está apagada, presione Piscina o Spa) .

Modo de piscina - (Calor normal)

Para activar la modalidad Piscina, presione **POOL** (piscina). La lucecita asociada de color verde, a la izquierda, se encenderá y la unidad mostrará **SET:XXX°**.

NOTA XXX representa la configuración actual de temperatura en el control. La configuración predeterminada para la temperatura de la piscina es 80°F (26°C).

Puede cambiar el valor seleccionado para la temperatura presionando el botón **Up** (Arriba) o **Down** (Abajo). Presione repetidamente el botón **Up** (Arriba) o **Down** (Abajo) hasta alcanzar el punto de ajuste deseado de temperatura. Después de 5 segundos de inactividad, el nuevo valor de consigna queda almacenado en la memoria.

Cuando la temperatura del agua baje a 1 grado menos que la configuración de temperatura y después de un retraso de 5 minutos, el control encenderá la bomba de calor y la lucecita asociada que está a la derecha se pondrá de color ROJO.

Modo de piscina - (Opcional Mantener Calor)

Si está conectada a un Aqualink, la modalidad de mantenimiento de calor permite que la bomba de calor controle la temperatura del agua durante las 24 horas del día, encendiendo la bomba de la piscina y tomando muestras de la temperatura del agua.

NOTA Esta característica solo funciona cuando esta conectada a un Aqualink.

Cuando la temperatura del agua baja más allá del valor de consigna de la temperatura, el control encenderá la bomba de calor.

Para operar en modo piscina con la función Mantener Calor, presione **POOL** (piscina), luego presione **MENU** (menú), presione el botón **Down** (Abajo) hasta que **MAINTAIN POOL HEAT** (mantener calor de la piscina) aparezca, presione el botón **MENU** (menú) .

La lucecita asociada de color verde, a la izquierda, se encenderá y la unidad mostrará **SET:XXX°** Cambie el valor seleccionado para la temperatura presionando el botón **Up** (Arriba) o **Down** (Abajo) hasta que aparezca el valor deseado. Después de 5 segundos de inactividad, el nuevo valor de consigna queda almacenado en la memoria.

Modo de spa - (Calor normal)

Para activar la modalidad Spa, presione **SPA (spa)**. La lucecita asociada de color verde, a la izquierda, se encenderá y la unidad mostrará **SET:XXX°**.

NOTA XXX representa la configuración actual de temperatura en el control. La configuración predeterminada para la temperatura del spa es 102°F (38°C).

Puede cambiar el valor seleccionado para la temperatura presionando el botón **Up** (Arriba) o **Down** (Abajo). Presione repetidamente el botón **Up** (Arriba) o **Down** (Abajo) hasta alcanzar el punto de ajuste deseado de temperatura. Después de 5 segundos de inactividad, el nuevo valor de consigna queda almacenado en la memoria. Cuando la temperatura del agua baje a 1 grado menos que la configuración de temperatura y después de un retraso de 5 minutos, el control encenderá la bomba de calor y la lucecita asociada que está a la derecha se pondrá de color ROJO.

Modo de spa - (Opcional Mantener Calor)

Si está conectada a un Aqualink, la modalidad de mantenimiento de calor permite que la bomba de calor controle la temperatura del agua durante las 24 horas del día, encendiendo la bomba del spa y tomando muestras de la temperatura del agua.

NOTA Esta característica solo funciona cuando esta conectada a un Aqualink.

Para operar en modo spa con la función Mantener Calor, presione **SPA (spa)**, luego presione **MENU** (menú), presione el botón **Down** (Abajo) hasta que aparezca **MAINTAIN SPA HEAT** (mantener calor del spa), presione el botón **MENU** (menú). La lucecita asociada de color verde, a la izquierda, se encenderá y la unidad mostrará **SET:XXX°**. Cambie el valor seleccionado para la temperatura presionando el botón **Up** (Arriba) o **Down** (Abajo) hasta que aparezca el valor deseado. Después de 5 segundos de inactividad, el nuevo valor de consigna queda almacenado en la memoria.

5.3 Características de operación de unidades híbridas con enfriador opcional

NOTA El enfriador es un equipo opcional. No todas las unidades cuentan con un enfriador.

Modo de piscina - (Refrigeración normal)

Para activar la modalidad Piscina, presione **POOL** (piscina). La lucecita asociada de color verde, a la izquierda, se encenderá y la unidad mostrará **SET:XXX°**.

NOTA XXX representa la configuración actual de temperatura en el control. La configuración predeterminada para la temperatura de la piscina es 80°F (26°C).

Presione la tecla **MENU** (menú). Presione el botón **Up** (Arriba) o **Down** (Abajo) hasta llegar a **POOL CHILL** (refrigeración de piscina), presione el botón **MENU** (menú).

NOTA **POOL CHILL** (refrigeración de piscina) no aparecerá si la unidad no cuenta con un enfriador.

Puede cambiar el valor seleccionado para la temperatura presionando el botón **Up** (Arriba) o **Down** (Abajo). Presione repetidamente el botón **Up** (Arriba) o **Down** (Abajo) hasta alcanzar el punto de ajuste deseado de temperatura. Después de 5 segundos de inactividad, el nuevo valor de consigna queda almacenado en la memoria. Cuando la temperatura del agua suba a 1 grado más que la configuración de temperatura y después de un retraso de 5 minutos, el control encenderá la bomba de calor y la lucecita asociada que está a la derecha se pondrá de color VERDE.

Modo de piscina - (Opcional Mantener refrigeración)

Si está conectada a un Aqualink, la opción de mantenimiento de refrigeración permite que la unidad controle la temperatura del agua durante las 24 horas del día, encendiendo la bomba de la piscina y tomando muestras de la temperatura del agua.

NOTA Esta característica solo funciona cuando esta conectada a un Aqualink.

Cuando la temperatura del agua sube por encima del valor deseado de temperatura, el control entonces encenderá la unidad y la lucecita asociada que está a la derecha se encenderá en verde.

Para operar en el modo de piscina con la función Mantener Refrigeración, presione **POOL** (piscina), luego presione **MENU** (menú), luego presione el botón **Down** (Abajo) hasta que aparezca **MAINTAIN POOL CHILL** (mantener refrigeración de piscina), presione el botón **MENU** (menú). La lucecita asociada de color verde, a la izquierda, se encenderá y la unidad mostrará **SET:XXX°**. Cambie el valor seleccionado para la temperatura presionando el botón **Up** (Arriba) o **Down** (Abajo) hasta que aparezca el valor deseado. Después de 5 segundos de inactividad, el nuevo valor de consigna queda almacenado en la memoria.

Modo de spa - (Opcional Mantener refrigeración)

Si está conectada a un Aqualink, la modalidad de mantenimiento de refrigeración permite que la bomba de calor controle la temperatura del agua durante las 24 horas del día, encendiendo la bomba del spa y tomando muestras de la temperatura del agua.

NOTA Esta característica solo funciona cuando esta conectada a un Aqualink.

Cuando la temperatura del agua sube por encima del valor de consigna de la temperatura, el control encenderá la bomba de calor.

Para operar en el modo de spa con la función Mantener Refrigeración, presione **SPA** (spa), luego presione **MENU** (menú), luego presione el botón **Down** (Abajo) hasta que aparezca **MAINTAIN SPA CHILL** (mantener refrigeración de spa), presione el botón **MENU** (menú). La lucecita asociada de color verde, a la izquierda, se encenderá y la unidad mostrará **SET:XXX°**. Cambie el valor seleccionado para la temperatura presionando el botón **Up** (Arriba) o **Down** (Abajo) hasta que se alcance el valor deseado. Después de 5 segundos de inactividad, el nuevo valor de consigna queda almacenado en la memoria.

5.4 Opciones de configuración del usuario

Las opciones de configuración del usuario permiten que este seleccione el idioma, la escala de temperatura, el temporizador del spa y las opciones de la luz de pantalla.

Configuración de idioma

1. Asegúrese de que el control esté en la modalidad **OFF** (apagado).
2. Para ingresar a la modalidad Configuración del usuario, presione y mantenga presionada la tecla **MENU** (menú) durante 5 segundos.

NOTA La pantalla volverá a **OFF** (apagado) después de un minuto después de presionar la última tecla.

3. Para seleccionar un idioma, use el botón **Up** (Arriba) o **Down** (Abajo) para mostrar **SELECT USER SETUP LANGUAGE** (seleccione idioma para la configuración del usuario). Presione la tecla **MENU** (menú). Aparece la leyenda **SELECT LANGUAGE ENGLISH** (seleccionar idioma inglés) (idioma predeterminado), use el botón **Up** (Arriba) o **Down** (Abajo) para avanzar por las opciones de idioma. Cuando llegue al idioma deseado, presione el botón **MENU** (menú) para seleccionar el idioma. Presione la tecla **POOL** (piscina) o **SPA** (spa) para salir de la modalidad de configuración del usuario.

Configuración de escala de temperatura

1. Asegúrese de que el control esté en la modalidad **OFF** (apagado).
2. Para ingresar a la modalidad Configuración del usuario, presione y mantenga presionada la tecla **MENU** (menú) durante 5 segundos.
3. Para seleccionar una escala de temperatura, use el botón **Up** (Arriba) o **Down** (Abajo) para avanzar y mostrar **SELECT USER SETUP TEMPERATURE SCALE** (seleccione escala de temperatura para la configuración del usuario). Presione la tecla **MENU** (menú). Aparece la leyenda **SELECT TEMP SCALE °F** (seleccionar escala de temperatura °F) (escala de temperatura predeterminada), use el botón **Up** (Arriba) o **Down** (Abajo) para avanzar por las opciones de escala. Cuando llegue a la escala de temperatura deseada, presione el botón **MENU** (menú) para seleccionar. Presione la tecla **POOL** (piscina) o **SPA** (spa) para salir de la modalidad de configuración del usuario.

Configuración del temporizador del spa

1. Asegúrese de que el control esté en la modalidad **OFF** (apagado).
2. Para ingresar a la modalidad Configuración del usuario, presione y mantenga presionada la tecla **MENU** (menú) durante 5 segundos.
3. Para seleccionar el temporizador del spa, use el botón **Up** (Arriba) o **Down** (Abajo) para avanzar para mostrar **SELECT USER SETUP SPA TIMER** (seleccionar configuración del usuario para el temporizador del spa). Presione la tecla **MENU** (menú). Aparece **SELECT SPA TIMER CONTINUOUS** (seleccionar temporizador continuo del spa) (configuración predeterminada del temporizador del spa). Para encender o apagar el spa indefinidamente, presione la tecla **MENU** (menú) para seleccionar.

Para seleccionar el período de tiempo para que funcione el spa, use el botón **Up** (Arriba) o **Down** (Abajo) para avanzar y mostrar **SELECT SPA TIMER TIME SELECTION** (seleccione selección de temporizador del spa). Presione el botón **MENU** (menú) para seleccionar. Se ve en pantalla **SELECCIONAR TIEMPO SPA 01:00 H:** (seleccionar tiempo del spa 1:00 H) (configuración predeterminada). Use el botón **Up** (Arriba) o **Down** (Abajo) para seleccionar el plazo de tiempo de funcionamiento del spa (entre 00:15 a 23:00 horas incrementado por 00:15 minutos). Presione el botón **MENU** (menú) para seleccionar el tiempo de funcionamiento del spa. Presione la tecla **POOL** (piscina) o **SPA** (spa) para salir de la modalidad de configuración del usuario.

Configuración de la luz de pantalla

1. Asegúrese de que el control esté en la modalidad **OFF** (apagado).
2. Para ingresar a la modalidad Configuración del usuario, presione y mantenga presionada la tecla **MENU** (menú) durante 5 segundos.
3. Para seleccionar una configuración de la luz de la pantalla, use el botón **Up** (Arriba) o **Down** (Abajo) para avanzar para mostrar **SELECT USER SETUP DISPLAY LIGHT** (seleccione luz de la pantalla para la configuración de usuario). Presione la tecla **MENU** (menú). Se verá **SELECT DISPLAY LIGHT 2 MIN TIMEOUT** (selección luz pantalla espera 2 minutos) (configuración predeterminada de luz de la pantalla). Esta opción permite que la luz de la pantalla se apague después de dos minutos. Presione el botón **MENU** (menú) para seleccionar. Use el botón **Up** (Arriba) o **Down** (Abajo) para avanzar hasta **SELECT DISPLAY LIGHT OFF** (seleccionar apagar luz de pantalla), esta opción permite apagar la luz de pantalla, presione el botón **MENU** (menú) para seleccionar. Use el botón **Up** (Arriba) o **Down** (Abajo) para avanzar hasta **SELECT DISPLAY LIGHT ON** (seleccionar encender luz de pantalla), esta opción permite encender la luz de pantalla, presione el botón **MENU** (menú) para seleccionar. Presione la tecla **POOL** (piscina) o **SPA** (spa) para salir de la modalidad de configuración del usuario.



Figura 14. Panel de Control Principal

5.5 Bloqueo del valor de consigna

Asegúrese de que el control esté en modo **ON** (encendido) **POOL** (piscina) o **SPA** (spa), presione y mantenga presionado los botones **Up** (Arriba) y **Down** (Abajo) por 5 segundos. El valor de consigna quedará bloqueado y el control operará en la modalidad en que se encontraba cuando sucedió el bloqueo del valor de consigna. Si se realiza un intento por cambiar el valor de consigna mientras el control está en el bloqueo del punto de consigna, el control mostrará **SET POINT LOCKED** (punto de consigna bloqueado). Para desbloquear el bloqueo del punto de consigna, presione y mantenga presionado los botones **Up** (Arriba) y **Down** (Abajo) por 5 segundos. La unidad mostrará **SET POINT UNLOCKED** (punto de consigna desbloqueado).

5.6 Ajuste del interruptor de presión de agua

PRECAUCIÓN

Cuando está apagada la bomba, debe ajustarse el interruptor de la presión del agua para apagar el calentador. Configurar el interruptor para que se cierre en un nivel de flujo muy bajo, pudiera dañar el aparato. Configure el interruptor para que apague el calentador, no para encenderlo.

El interruptor de presión se configura en fábrica para que se active a 2 psi (14 kPa). Es el ajuste mínimo para el interruptor de presión de agua y funciona para todas las instalaciones básicas. Sólo ajuste el interruptor de presión de agua si la bomba de calor no opera *cuando se aplica el flujo adecuado a la unidad* o si la bomba de calor no se apaga cuando la bomba del filtro está apagada. Ocasionalmente, configuraciones hidráulicas inusuales o restricciones necesarias en la hidráulica pueden causar problemas de detección de presión. En estas situaciones poco comunes, la configuración del sistema hidráulico puede requerir el ajuste del interruptor de presión de agua.

El ajuste del interruptor de presión puede ser necesario si una parte de la cañería del sistema de filtrado está a 3 pies (1 m) o más por encima de la parte superior de la cubierta de la bomba de calor.

No ajuste el interruptor de presión si la bomba de calor se instala a más de 5 pies (1,5 m) por encima o 10 pies (3 m) por debajo de la superficie de la piscina. Consulte con su distribuidor local de Zodiac® para obtener recomendaciones. En algunas instalaciones, la tubería desde la bomba de calor hasta la piscina es muy corta. La contrapresión podría ser demasiado baja para accionar el interruptor de presión. Si esto sucede, podría ser necesario instalar un accesorio direccional o codos donde la línea de retorno ingresa a la piscina. Esto aumentará la contrapresión de forma suficiente como para que la bomba de calor funcione adecuadamente. Si esta configuración es necesaria, asegúrese de comprobar que el flujo del sistema sea superior al requisito mínimo de 30 gpm (114 lpm) después de instalar el accesorio o codo de dirección. Asegúrese de que el filtro de la piscina esté limpio antes de realizar ajustes al interruptor de presión: Un filtro sucio restringirá el flujo de agua y el interruptor de presión no podrá ser ajustado de forma adecuada.

Para ajustar el interruptor de presión:

1. Asegúrese de que todas las válvulas en el sistema se configuren para permitir el flujo de agua por la bomba de calor. Ponga en marcha la bomba del filtro.
2. Configure el control de la bomba de calor para requerir calor. Configure el control de la bomba en el modo

POOL HEAT (calentamiento de piscina).

3. Si el control de la bomba de calor indica “NO FLOW” (sin flujo), entonces el flujo en el sistema puede ser inferior al flujo mínimo de 30 gpm (114 lpm) necesario para la operación segura de la bomba de calor. Investigue y corrija los problemas con el flujo antes de ajustar el interruptor de presión de agua.
4. Retire el panel de acceso de control de la bomba de calor. El interruptor de presión de agua se ubica en la esquina inferior izquierda del compartimiento de control.
5. Después de confirmar que el caudal de flujo se encuentra a un mínimo de 30 gpm (114 lpm), rote lentamente la llave manual en el interruptor de presión de agua en sentido contrario a las agujas del reloj hasta que el indicador “NO FLOW” (sin flujo) desaparezca de la pantalla de control. Recuerde que hay un retraso antes de que arranque el compresor de la bomba de calor.
6. Una vez que la bomba de calor está funcionando, apague la bomba del filtro. La bomba de calor debe apagarse de inmediato.
7. Si la bomba de calor continúa funcionando cuando se apaga la bomba del filtro, gire la llave manual en el interruptor de presión de agua en sentido de las agujas del reloj hasta que aparezca “NO FLOW” (sin flujo) en el control y se apague la bomba de calor.
8. Compruebe la configuración del interruptor de presión de agua arrancando y deteniendo la bomba del filtro y comprobando la pantalla del control y el funcionamiento del calentador entre cada cambio de flujo.
9. Si el interruptor de presión de agua no se puede ajustar a las condiciones anteriores, debe agregarse un interruptor de flujo externo al sistema hidráulico para asegurar que la bomba de calor no funcione sin el flujo apropiado a través del intercambiador de calor.

Sección 6. Mantenimiento general

6.1 Propiedades químicas del agua

Para que las condiciones de baño sean higiénicas y para que la bomba de calor tenga la máxima duración, es necesario tener un equilibrio correcto de los agentes químicos utilizados. Asegúrese de mantener sus niveles de concentración de agentes químicos y minerales dentro de los valores indicados en la Tabla 3.

NOTA Para spas, también es necesario realizar cambios de agua además del tratamiento químico. Se recomienda cambiar el agua del spa cada 60 días si se le da poco uso y cada 30 días si el uso es intenso.

6.2 Preparación para el invierno

PRECAUCIÓN

Si no se realiza la preparación para el invierno, la bomba de calor podría dañarse y se anulará la garantía.

En áreas con temperaturas bajo cero, debe proteger la bomba, filtro y bomba de calor de los elementos. Siga estos pasos para drenar por completo la bomba de calor (vea la Figura 15).

1. Desconecte la energía eléctrica de la bomba de calor en el panel del disyuntor principal.
2. Desconecte el suministro de agua hacia la bomba de calor.
3. Desconecte la unión de la entrada y salida de agua y el tapón de drenaje para la preparación para el invierno (si corresponde) que se ubica en el panel frontal inferior de la bomba de calor. El intercambiador de calor se drenará por estas conexiones de agua.
4. Cubra sólo la parte superior de la bomba de calor para impedir que caigan escombros sobre la unidad. No envuelva los lados de la bomba de calor con plástico u otro material que retenga el calor o la humedad dentro de la unidad.

6.3 Puesta en marcha en la primavera

Si la bomba de calor ha sido preparada para el invierno, siga estos pasos al poner en marcha el sistema en la primavera:

1. Destape la bomba de calor e inspeccione la parte superior y lateral para detectar escombros o problemas estructurales.
2. Conecte las uniones de entrada y salida de agua que se ubican en el panel frontal inferior de la bomba de calor.
3. Encienda la bomba del filtro para suministrar agua a la bomba de calor. Circule agua por el sistema lo suficiente como para circular toda el agua de la piscina por el filtro. Compruebe para detectar fugas dentro y alrededor de la bomba de calor.
4. Compruebe la química de la piscina y equilibre de ser necesario.
5. Conecte la energía eléctrica de la bomba de calor en el panel del disyuntor principal.

6.4 Inspección y mantenimiento

Las bombas de calor Zodiac® han sido diseñadas y construidas para proveer rendimiento de larga vida, si se instalan y operan de forma adecuada en condiciones normales. Las inspecciones periódicas son importantes para mantener su bomba de calor funcionando de forma segura y eficiente a través de los años.

Inspección del propietario

⚠ PRECAUCIÓN

No utilice esta bomba de calor si alguna parte ha quedado bajo el agua. Llame a un técnico de servicio autorizado para que inspeccione el calentador y reemplace todas las piezas del sistema de control que hayan estado bajo agua.

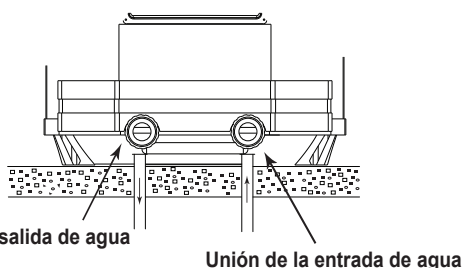


Figura 15. Preparación de la bomba de calor JE para el invierno

Zodiac recomienda que se inspeccione la bomba de calor en forma periódica, y en especial después de condiciones climáticas anormales. Las siguientes pautas básicas son una sugerencia para realizar la inspección:

1. Mantenga el área superior y entornos de la bomba de calor, libres de suciedad.
2. Mantenga todas las plantas y arbustos podados y alejados de la bomba de calor.

La bomba de calor producirá condensación (agua) durante su operación. La base de la bomba de calor está diseñada para permitir que la condensación salga por el puerto de drenaje inferior cuando la unidad está funcionando. La condensación aumentará a medida que aumente el nivel de humedad en el aire exterior. Compruebe los siguiente a intervalos regulares para asegurar un drenaje adecuado de la condensación:

1. Inspeccione visualmente y limpie los puertos inferiores de drenaje de toda suciedad que pueda obstruir los puertos.
2. Asegúrese de que el agua condensada no se acumule dentro de la bomba de calor
3. Asegúrese de que el drenaje de la condensación se dirija adecuadamente fuera de la base del equipo para que no la dañe.

Durante la operación normal, la bomba de calor produce 3 a 5 galones de condensación por hora. Si el drenaje de condensación es superior a este rango durante la operación o si continúa drenando agua de la base cuando la bomba de calor no está funcionando por más de una hora, puede existir una fuga en la hidráulica interna. Contacte a un técnico calificado en bombas de calor para que investigue el problema. Mantenga el área de la descarga superior del flujo de aire y de la toma del flujo de aire libre de suciedad para que no se restrinja el flujo por la bomba de calor. El aire de descarga de refrigerante de la parte superior no debe acumularse y debe dirigirse a las bobinas de entrada de aire lateral. Mantenga todas las plantas y arbustos podados y alejados de la bomba de calor. Asegúrese de que se pueda acceder al frente de la unidad para el mantenimiento futuro.

Impida que los cabezales de los rociadores para césped rocíen sobre la bomba de calor para prevenir corrosión y daños. Use un deflector de ser necesario.

Si la unidad se instala bajo un techo con una inclinación pronunciada o bajo un techo sin alcantarilla, debe colocarse una alcantarilla o canaleta para impedir que una cantidad excesiva de agua caiga sobre la unidad.

Inspección profesional

Para mantener la operación segura y eficiente de su bomba de calor es necesario que un técnico calificado lo inspeccione al menos una vez al año. Las siguientes inspecciones de seguridad básicas deben llevarse a cabo.

1. Inspeccione y asegúrese de que no hayan cables y conexiones de terminales sueltos ni rotos.
2. Verifique el funcionamiento del interruptor de presión o el interruptor de flujo. Apague la bomba de calor. Desconecte la energía del reloj del temporizador de la bomba o apague el reloj del temporizador de la bomba colocándolo en la posición OFF (apagado). Vuelva a encender la bomba de calor. La bomba de calor no debe encenderse.

3. Inspeccione los controles eléctricos, en especial los siguientes:
 - a. Límite alto y bajo
 - b. Interruptor de presión o interruptor de flujo
 - c. Control de temperatura
4. Inspeccione la bobina del evaporador para detectar obstrucciones y limpie según sea necesario.
5. Compruebe la existencia de telas de araña o suciedad en el drenaje de condensación; limpie en caso necesario.
6. Lleve a cabo un ciclo de operación normal y observe si la unidad opera adecuadamente.

Sección 7. Mantenimiento y servicio profesional

7.1 Diseño de la bomba de calor

La bomba de calor Zodiac® es una de las formas más eficientes de calentar una piscina o spa. La bomba de calor transfiere calor desde el aire exterior al agua de la piscina o spa por medio de un intercambiador de calor interno. Cuando se enciende el ventilador, pasa aire por el evaporador cargado con refrigerante, convirtiendo el refrigerante líquido frío en un gas caliente. El gas luego fluye a través del compresor donde es comprimido, lo que resulta en una temperatura mucho mayor.

El gas caliente ingresa en el intercambiador de calor donde el agua extrae el calor. La bomba extrae agua fría, que a su vez se convierte el gas caliente en refrigerante líquido y comienza el ciclo nuevamente.

La bomba de calor JE y la bomba de calor EE-Ti usan un refrigerante denominado R-410A. Se trata de un refrigerante que no daña la capa de ozono y está aceptado por la Agencia de Protección Ambiental. R-410A posee una mayor presión de operación y capacidad de refrigeración que R-22, que es el refrigerante usado en la bomba de calor AE-Ti. En consecuencia, R-410A NUNCA debe usarse en las bombas de calor AE-Ti.

La Agencia de Protección Ambiental requiere una certificación para adquirir o usar R-410A. Se recomienda que el personal de mantenimiento reciba capacitación sobre los procedimientos de instalación, servicio, acondicionamiento y mantenimiento. Son similares a los utilizados en la industria para el sistema R-22, pero deberían redefinirse para una mayor presión de operación.

NOTA La salida máxima de calor y la eficiencia de una bomba de calor dependen de la calidad y rendimiento de los componentes principales utilizados. También son importantes las condiciones ambientales (por ejemplo, la temperatura del aire, humedad, temperatura del agua y viento).

7.2 Componentes y operación de la bomba de calor

Evaporador: El aire pasa por el evaporador, el refrigerante en el evaporador absorbe el calor del aire del ambiente. Cuanto más caliente es el aire del ambiente y mayor la superficie del evaporador, mayor calor puede recolectar.

Ventilador: El ventilador de la bomba de calor produce un flujo de aire de gran volumen. Se requiere un flujo de aire adecuado para mover el aire caliente por el evaporador grande.

Compresor: El compresor comprime el gas refrigerante a una mayor presión, aumentando la temperatura.

Intercambiador de calor: Como paso final en el proceso de calentamiento, el intercambiador de calor transfiere el calor del gas caliente al agua. (También conocido como condensador).

Válvula de reversa: (Para unidades híbridas con enfriador opcional y descongelamiento de gas caliente) La válvula de reversa invierte el flujo de refrigerante, lo que resulta en una transferencia del gas frío al agua, reduciendo así la temperatura.

Tabla 3. Parámetros de las propiedades químicas óptimas del agua*

Prueba	Nivel recomendado
Cloro libre o	1,0 a 3,0 ppm
Bromo	2,0 a 4,0 ppm
PH	7,2 a 7,8 (rangos ideales entre 7,4 y 7,6)
Alcalinidad total (TA)	80 a 120 ppm
Dureza cálcica (CH)	175 a 400 ppm
Ácido de cianuro	30 a 50 ppm
Total de sólidos disueltos (TSD)	1000 a 2000 ppm (sin incluir el NaCl disuelto del generador de cloro de sal)

* Los niveles de concentración se han tomado de la publicación titulada "Basic Pool and Technology" (Tecnología básica para piscinas y spas), documento publicado por la APSP (Asociación de profesionales de piscinas y spas).

Sección 8. Resolución de problemas

8.1 Guía de diagnóstico y localización de averías

La tabla siguiente contiene síntomas y soluciones para el diagnóstico y localización de averías generales de la bomba de calor.

Tabla 4. Guía de diagnóstico y localización de averías de la bomba de calor

Síntoma	Acción correctiva
La bomba de calor no arranca, no se ve la pantalla del tablero de control.	El disyuntor o el fusible pueden estar desconectados. Reinicie el disyuntor o compruebe el fusible. Si la bomba de calor aún no funciona, contacte al servicio técnico. Sólo para modelos trifásicos: Las fases pueden estar invertidas o puede haber una pérdida de fase. Contacte al servicio técnico.
La bomba de calor no arranca, la pantalla del tablero de control no funciona.	La bomba de calor puede estar en un conteo descendente de retraso de 5 minutos. Asegúrese de que el termostato del tablero de control indica el encendido del calentador (compruebe el ajuste del termostato y la lectura de temperatura). Asegúrese de que la bomba de calor no esté en modo de refrigeración.
La bomba de calor funciona pero no calienta.	Verifique que salga aire frío de la parte superior de la bomba. Si la bomba de calor acaba de ser instalada o si el agua de la piscina se ha enfriado significativamente, es necesario hacer funcionar la bomba de calor de manera continua por 24-48 horas. Si la bomba de calor ha funcionado por un tiempo, aumente el tiempo de la bomba de circulación o pase el tablero de control a la función Mantener Calor. Si calienta un spa, verifique que no haya tuberías independientes de entrada de aire abiertas. Si la bomba de calor aún no calienta, contacte al servicio técnico.
La bomba de calor no funciona y el tablero de control muestra: FAULT- NO FLOW (falla - sin flujo)	Verifique que la bomba de circulación esté encendida y que todas las válvulas necesarias estén en la posición correcta. Verifique que el filtro y los tamices estén limpios. Compruebe el nivel de agua en la piscina. Apague temporalmente todas las fuentes y cascadas que desvían la entrada de agua de la bomba de calor. Si esto no corrige el problema, contacte al servicio técnico.
La bomba de calor no funciona y la pantalla del tablero de control muestra: FAULT- HIGH REF PRESSURE (falla - alta presión de ref.)	Verifique que la bomba de circulación esté encendida y que no haya restricciones al flujo de agua hacia la bomba de calor. Si la bomba del filtro es una bomba de dos velocidades o de velocidad variable, aumente la velocidad. Asegúrese de que todas las válvulas necesarias estén abiertas o en las posiciones adecuadas para permitir un flujo de agua apropiado a la bomba de calor. Verifique que el filtro y los tamices estén limpios. Compruebe el nivel de agua en la piscina. Esta condición también puede aparecer si la bomba de calor no ha sido operada por un período prolongado. Para solucionar esta condición, haga funcionar la bomba de calor, apagando y encendiendo hasta 3 veces. Si esto no corrige el problema, contacte al servicio técnico.
La bomba de calor no funciona o interrumpe los ciclos y la pantalla del tablero de control muestra: FAULT- LOW REF PRESSURE (falla - baja presión de ref.)	Compruebe que el ventilador esté funcionando y salga aire de la parte superior de la bomba de calor cuando se interrumpe el ciclo. Si la bomba de calor no funciona, contacte al servicio técnico.
La bomba de calor tiene fugas de agua.	Posible fuga en el intercambiador de calor o hidráulica. Apague la bomba de calor, luego apague la bomba de circulación por al menos una hora para ver si se detiene la fuga de agua. Si se detiene la fuga de agua, está ocurriendo condensación normal. Si continúa la fuga de agua después de apagar la bomba de calor por al menos una hora, contacte al servicio técnico.

8.2 Diagnóstico

En caso de que se abra un interruptor de presión o se produzca otra condición de falla, la pantalla LCD mostrará la falla hasta que se resuelva el problema. Consulte la tabla siguiente para ver la lista de condiciones de diagnóstico.

Tabla 5. Diagnóstico de la bomba de calor

DIAGNÓSTICO CONDICIÓN	Descripción
FAULT- NO FLOW (FALLA - SIN FLUJO)	Flujo de agua bajo o restringido por la bomba de calor. La válvula externa de bypass está en la posición incorrecta, o el interruptor de flujo de agua ha fallado. El interruptor de flujo de agua se abre creando una falla y la bomba de calor se apaga.
FAULT- LOW REF PRESSURE (falla - baja presión de ref.)	Cuando la temperatura ambiente es baja, la presión de succión puede caer significativamente. Esta falla ocasionará que el interruptor de baja presión se abra y el control apagará el compresor.
FAULT- HIGH REF PRESSURE (falla - alta presión de ref.)	Cuando la presión del cabezal es demasiado alta, el interruptor de alta presión se abrirá causando que la bomba de calor se apague de inmediato. El control detectará esta condición de falla y apagará el compresor hasta que se vuelva a cerrar el interruptor.
FAULT- HIGH WATER TEMP (falla a-alta temperatura de agua)	Cuando la temperatura del agua de la PISCINA o SPA se calienta a la temperatura máxima permitida o más, podrían existir riesgos para la seguridad para las personas en el agua. El termostato de agua leerá esta temperatura y el control apagará la bomba de calor a menos que esté en el modo CHILLER (enfriador). Esta función también se mantiene activa cuando el control activa el calor a través de un termostato remoto. Esto es para asegurar que la temperatura del agua no llegue a un nivel anormalmente alto debido a un posible malfuncionamiento del sensor remoto.
FAULT- SHORTED COIL SENSOR (sensor de bobina en corto) -0- FAULT- OPEN COIL SENSOR (falla - sensor de bobina abierto)	En caso de que el sensor de temperatura de la bobina falle o no esté conectado, el control apagará la bomba de calor.
FAULT- SHORTED WATER SENSOR (falla - sensor de agua en corto) -0- FAULT- OPEN WATER SENSOR (falla - sensor de agua abierto)	En caso de que el sensor de agua de la bobina falle o no esté conectado, el control apagará la bomba de calor.

Sección 9. Piezas de repuesto

9.1 Información para hacer pedidos

Para hacer un pedido o comprar repuestos para los modelos Je de las bombas de calor, contacte a su distribuidor o vendedor de Zodiac más cercano. Consulte el sitio web de Zodiac en www.Zodiac.com para encontrar el centro de servicio más cercano. Si no pueden abastecerlo con lo que usted necesita, comuníquese con el Servicio al cliente de Zodiac, al teléfono (800) 822-7933.

9.2 Lista de piezas para las bombas de calor Zodiac JE

No. de llave	Descripción	N° de modelo	Pedido N° de repuesto	No. de llave	Descripción	N° de modelo	Pedido N° de repuesto
1	Grilla del ventilador	1500	R0571700	28	Capacitor para arranque difícil	1500	R0576700
1	Grilla del ventilador	2000, 2500, 3000	R0571800	29	Contactador (monofásico)	Todos (monofásico)	R0576800
2	Motor del ventilador.	1500	R0571900	29	Contactador (trifásico)	Todos (trifásico)	R0576900
2	Motor del ventilador.	2000, 2500, 3000	R0572000	30	Relé del ventilador	Todo	R0577000
3	Aspa del ventilador	1500	R0572100	31	Monitor de rotación de fase (trifásico)	2500, 3000 (trifásico)	R0577100
3	Aspa del ventilador	2000, 2500, 3000	R0572200		Componentes opcionales		
4	Cubierta del ventilador	1500	R0572300	32*	Conjunto de soportes de anclaje	1500	R0577200
4	Cubierta del ventilador	2000, 2500, 3000	R0572400	32*	Conjunto de soportes de anclaje	2000, 2500, 3000	R0577300
5	Bobina/protección del evaporador	1500	R0572500	33	Unión universal, conjunto de refuerzos	Todo	R0472700
5	Bobina/protección del evaporador	2000, 2500	R0572600	34*	Bypass, Externo, bomba de calor JE	Todo	R0578900
5	Bobina/protección del evaporador	3000	R0572700				
6	Compresor	1500	R0572800				
6	Compresor	2000	R0572900				
6	Compresor	2500	R0573000				
6	Compresor	3000	R0573100				
6	Compresor (trifásico)	2500	R0577500				
6	Compresor (trifásico)	3000	R0577600				
7	Condensador	1500	R0577700				
7	Condensador	2000	R0577800				
7	Condensador	2500	R0577900				
7	Condensador	3000	R0578000				
8	Entrada del distribuidor de agua	1500	R0573200				
8	Entrada del distribuidor de agua	2000, 2500	R0573300				
8	Entrada del distribuidor de agua	3000	R0573400				
9	Salida del distribuidor de agua	1500	R0573500				
9	Salida del distribuidor de agua	2000, 2500	R0573600				
9	Salida del distribuidor de agua	3000	R0573700				
10	BASE	1500	R0573800				
10	BASE	2000, 2500, 3000	R0573900				
11	Cubierta de la caja eléctrica con hardware	Todo	R0574000				
12	Panel frontal	1500	R0574300				
12	Panel frontal	2000, 2500	R0574400				
12	Panel frontal	3000	R0574500				
13	Sensor de temperatura del agua	Todo	R0574600				
14	Secador del filtro	1500	R0574700				
14	Secador del filtro	2000, 2500, 3000	R0574800				
14	Secador del filtro (doble flujo)	3000TR	R0574900				
15	Válvula de expansión térmica	1500	R0575000				
15	Válvula de expansión térmica	2000, 2500	R0575100				
15	Válvula de expansión térmica	3000	R0575200				
16	Sensor de temperatura del aire	Todo	R0575300				
17	Interruptor de alta presión	Todo	R0575400				
18	Interruptor de baja presión	Todo	R0575500				
19	Interruptor de presión de agua	Todo	R0575600				
20	INTERFAZ DEL USUARIO	Todo	R3008801				
21	Cubierta de la interfaz	Todo	R3000601				
22	Válvula de reversa (opcional)	3000TR	R0575900				
23	Kit de drenaje para la preparación para el invierno	2000, 2500, 3000	R0576000				
24	PCB de la interfaz de energía	Todo	R3009200				
25	Transformador	Todo	R0576200				
26	Capacitor de funcionamiento (monofásico)	1500	R0576300				
26	Capacitor de funcionamiento (monofásico)	2000, 2500, 3000	R0576400				
27	Capacitor del ventilador	1500	R0576500				
27	Capacitor del ventilador	2000, 2500, 3000	R0576600				

* No mostrado

9.3 Plano de despiece para las bombas de calor Zodiac JE 1500

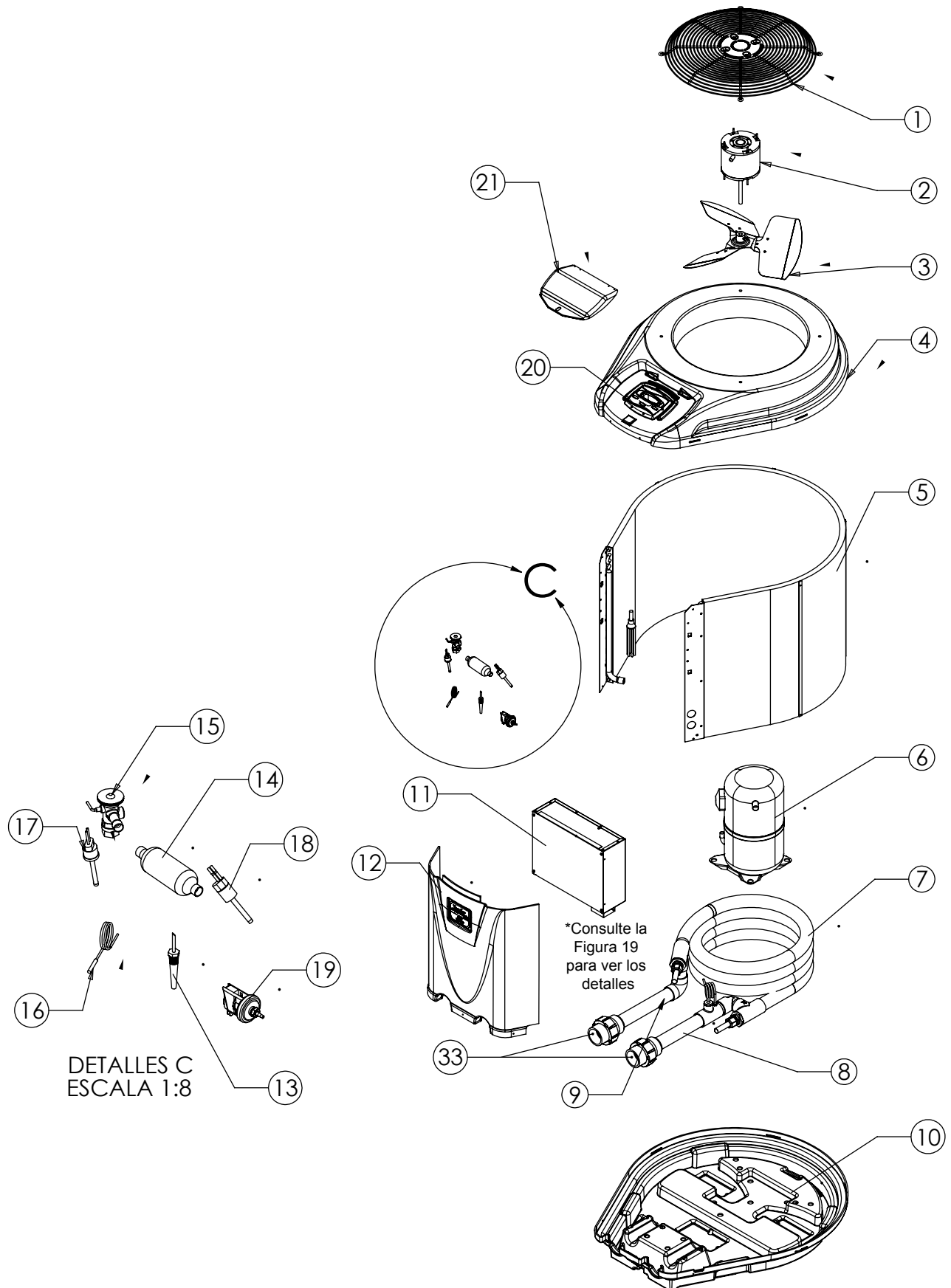


Figura 16. Plano de despiece para las bombas de calor Zodiac JE (se muestra JE 1500)

9.4 Plano de despiece para las bombas de calor Zodiac JE 2000, JE2500 y JE3000

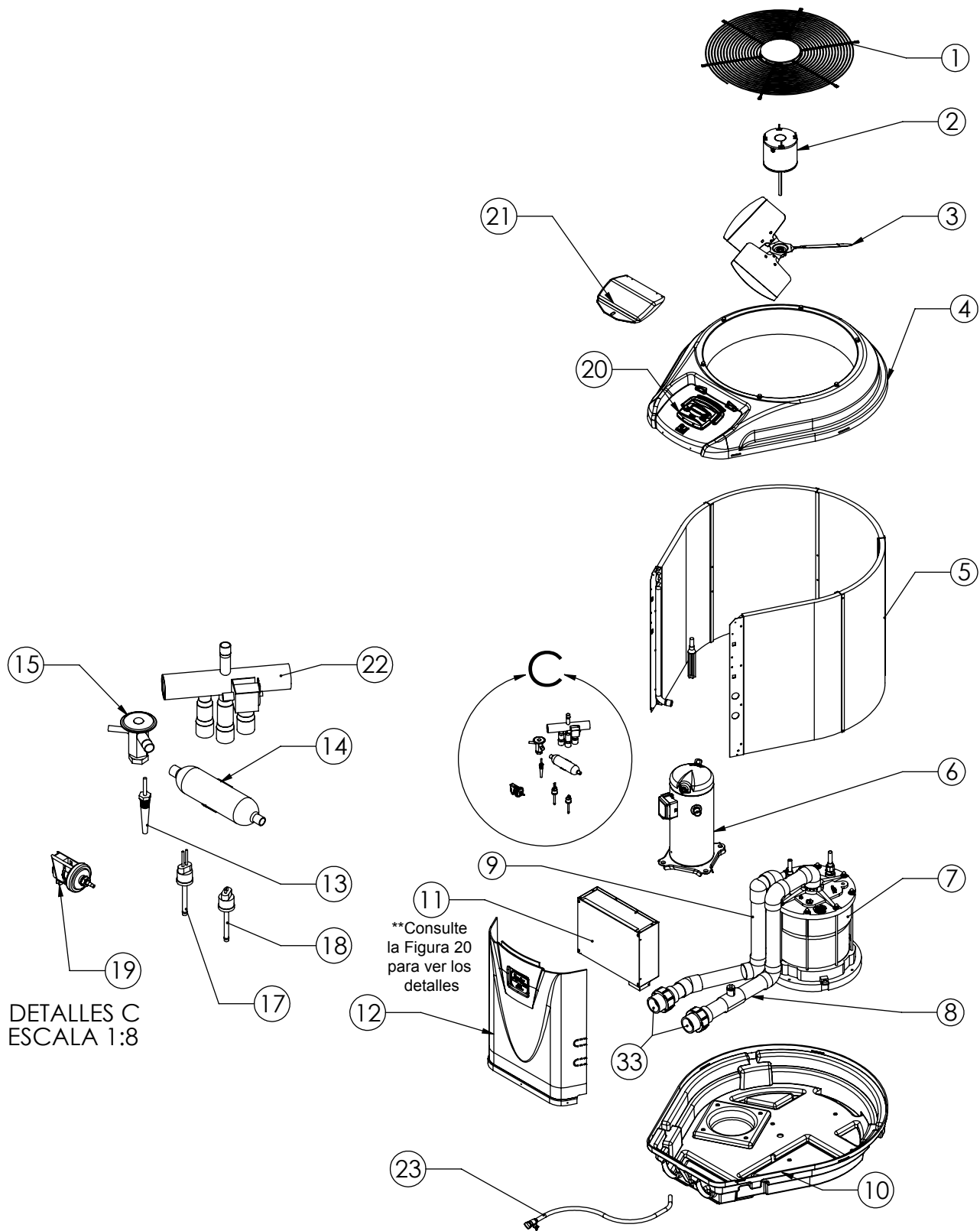


Figura 17. Plano de despiece para las bombas de calor Zodiac JE (se muestra JE 2000)

9.5 Caja eléctrica monofásica de Zodiac® JE

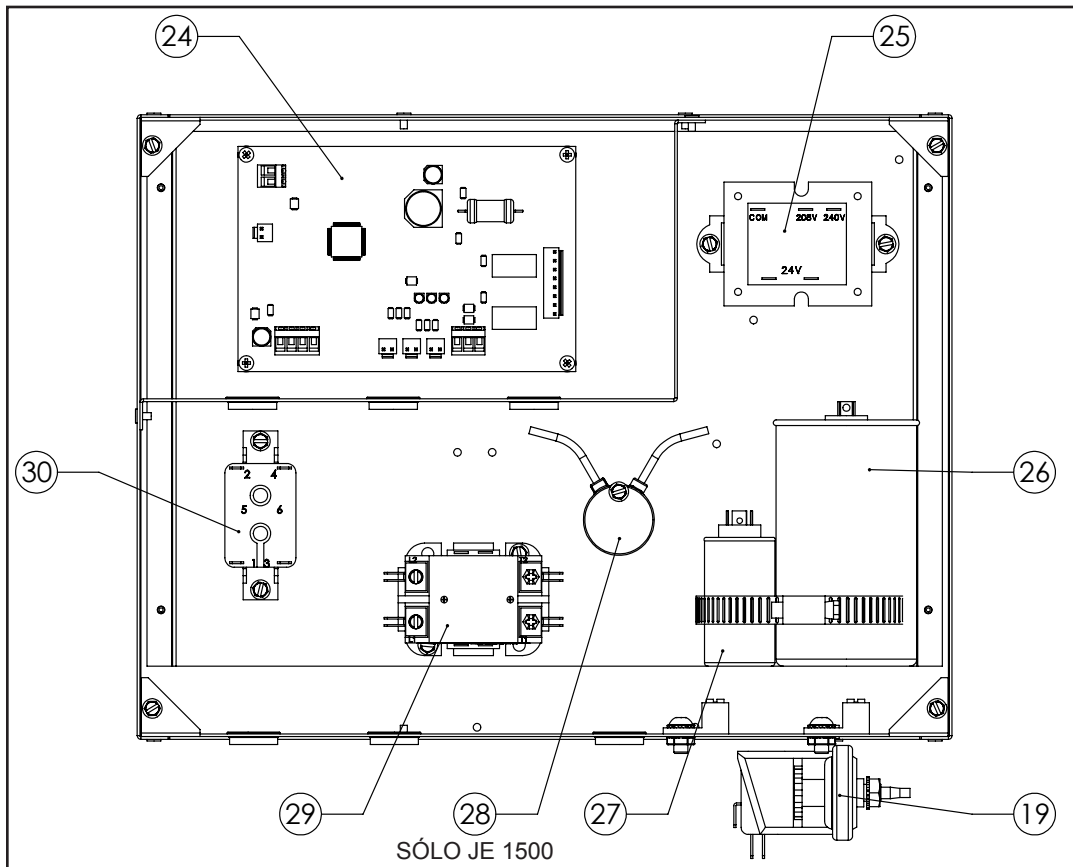


Figura 18. Caja eléctrica monofásica de Zodiac JE

9.6 Caja eléctrica trifásica de Zodiac® JE

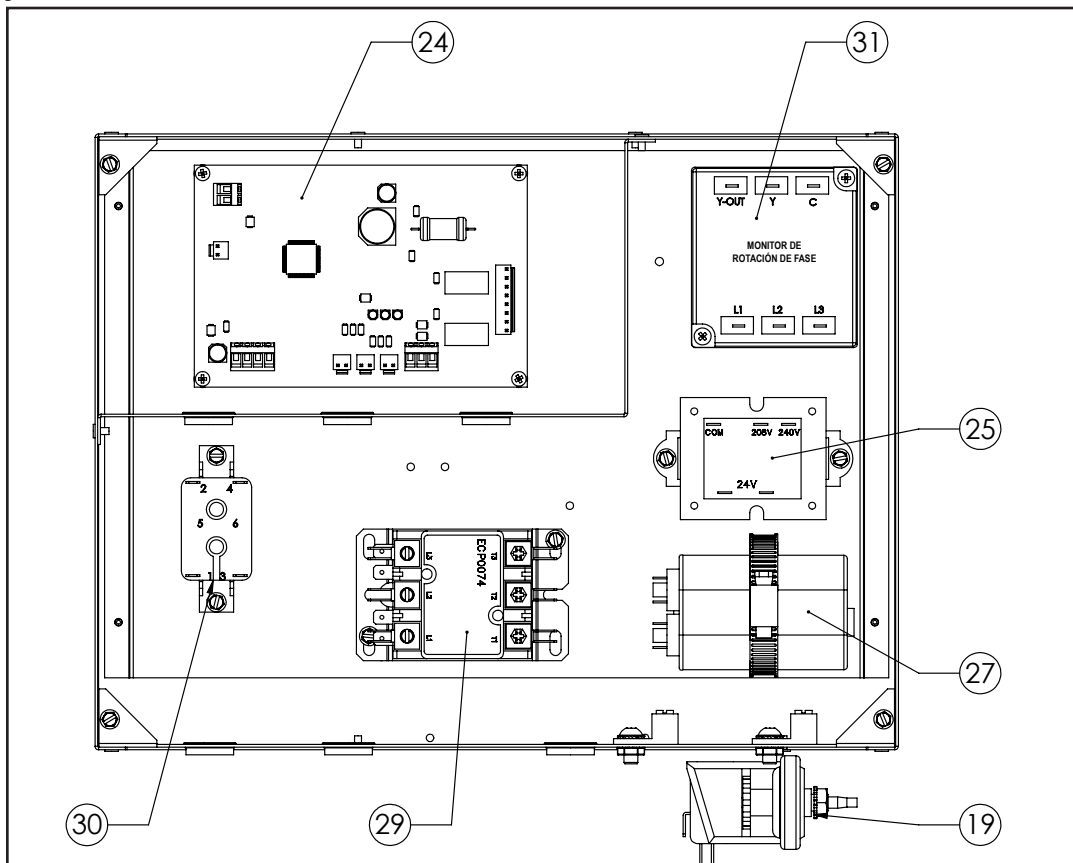


Figura 19. Caja eléctrica trifásica de Zodiac JE

Zodiac Pool Systems, Inc.
2620 Commerce Way, Vista, CA 92081
1.800.822.7933 | www.ZodiacPoolSystems.com

Zodiac Pool Systems Canada, Inc.
2115 South Service Road West, Unit 3 Oakville, ON L6L 5W2
1-888-647-4004 | www.ZodiacPoolSystems.ca



EN LA LISTA ETL
CUMPLE CON
UL STD 1995
CERTIFICADO PARA
CAN/CSA C22.2 N.º 236

ZODIAC® es una marca registrada de Zodiac International, S.A.S.U., utilizada bajo licencia.
Todas las marcas registradas mencionadas en este documento son propiedad de sus respectivos propietarios.

©2013 Zodiac Pool Systems, Inc. H0408600 Rev B

