

PRODUCT INFORMATION PACKET



Model No: ELV08SQ

Catalog No: ELV08SQ

VGreen® Variable Speed Motors Pool Pump Motor, .01-.85 HP, 1 Ph, 60 Hz, 115 V, 3600 RPM, 48Y Frame, TEFC



Regal and Century are trademarks of Regal Rexnord Corporation or one of its affiliated companies.

©2022 Regal Rexnord Corporation, All Rights Reserved. MC017097E





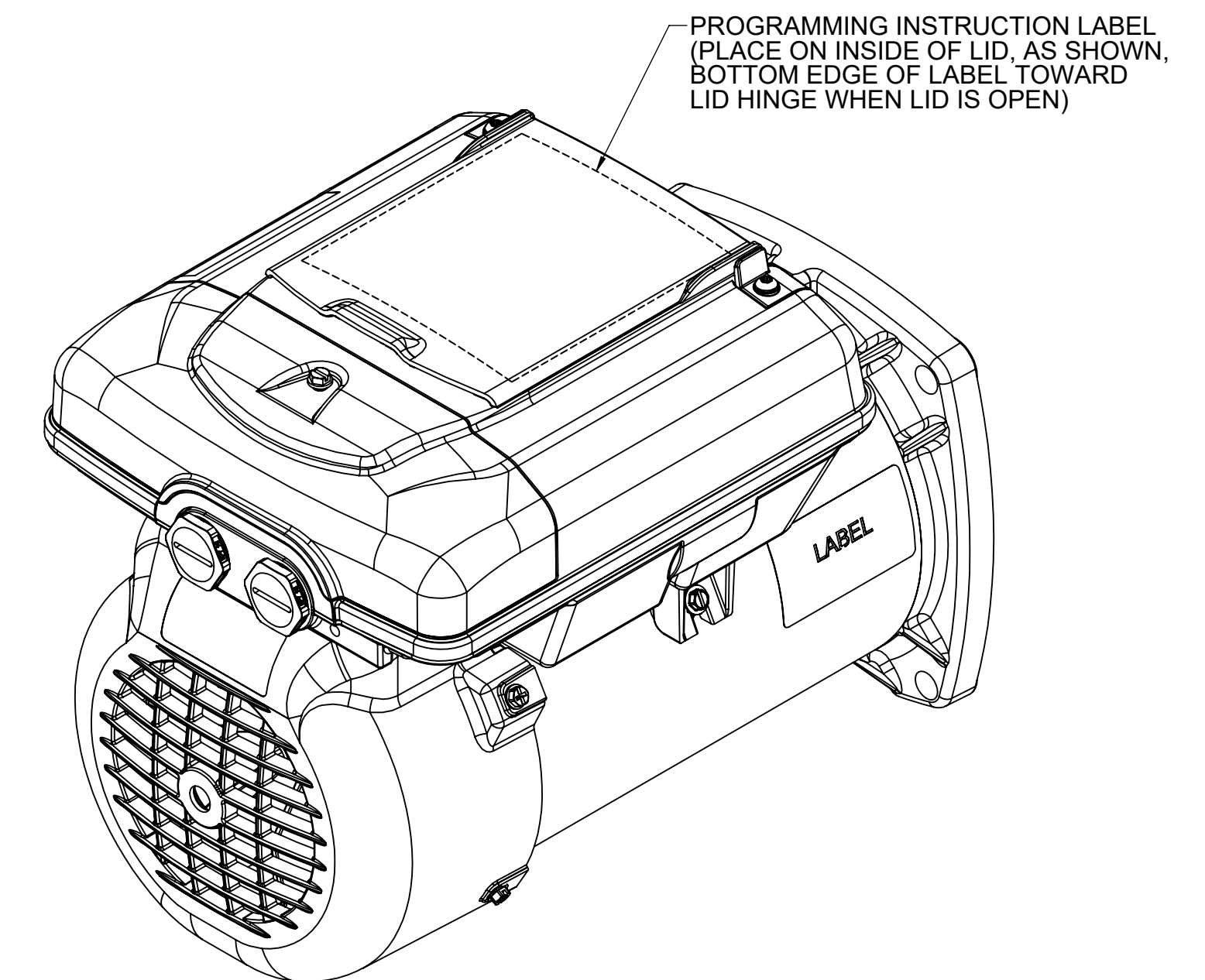
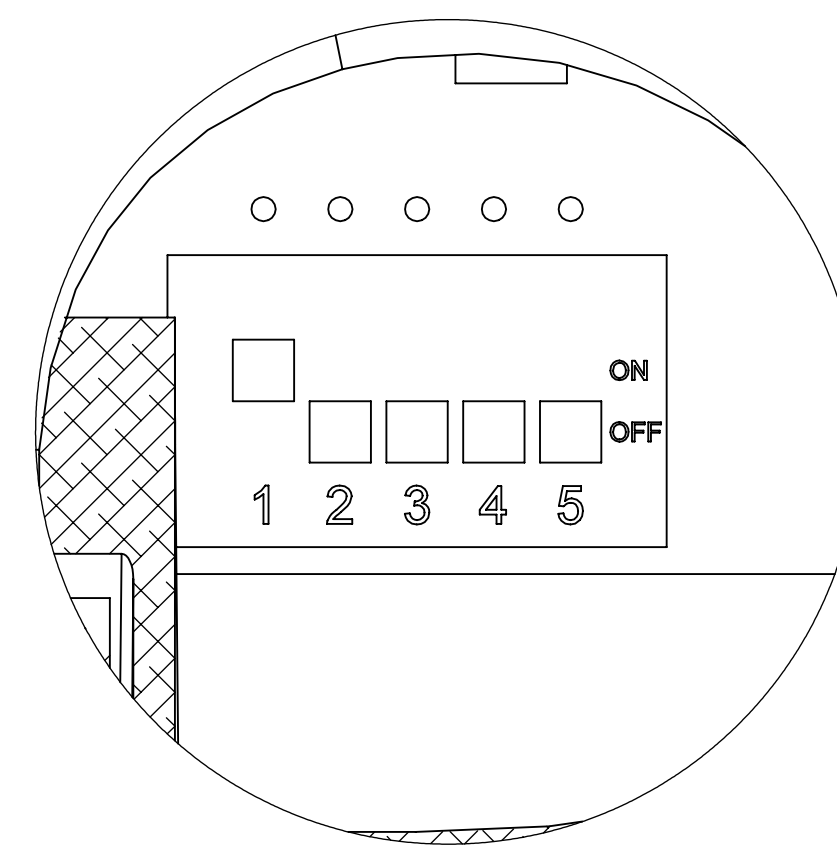
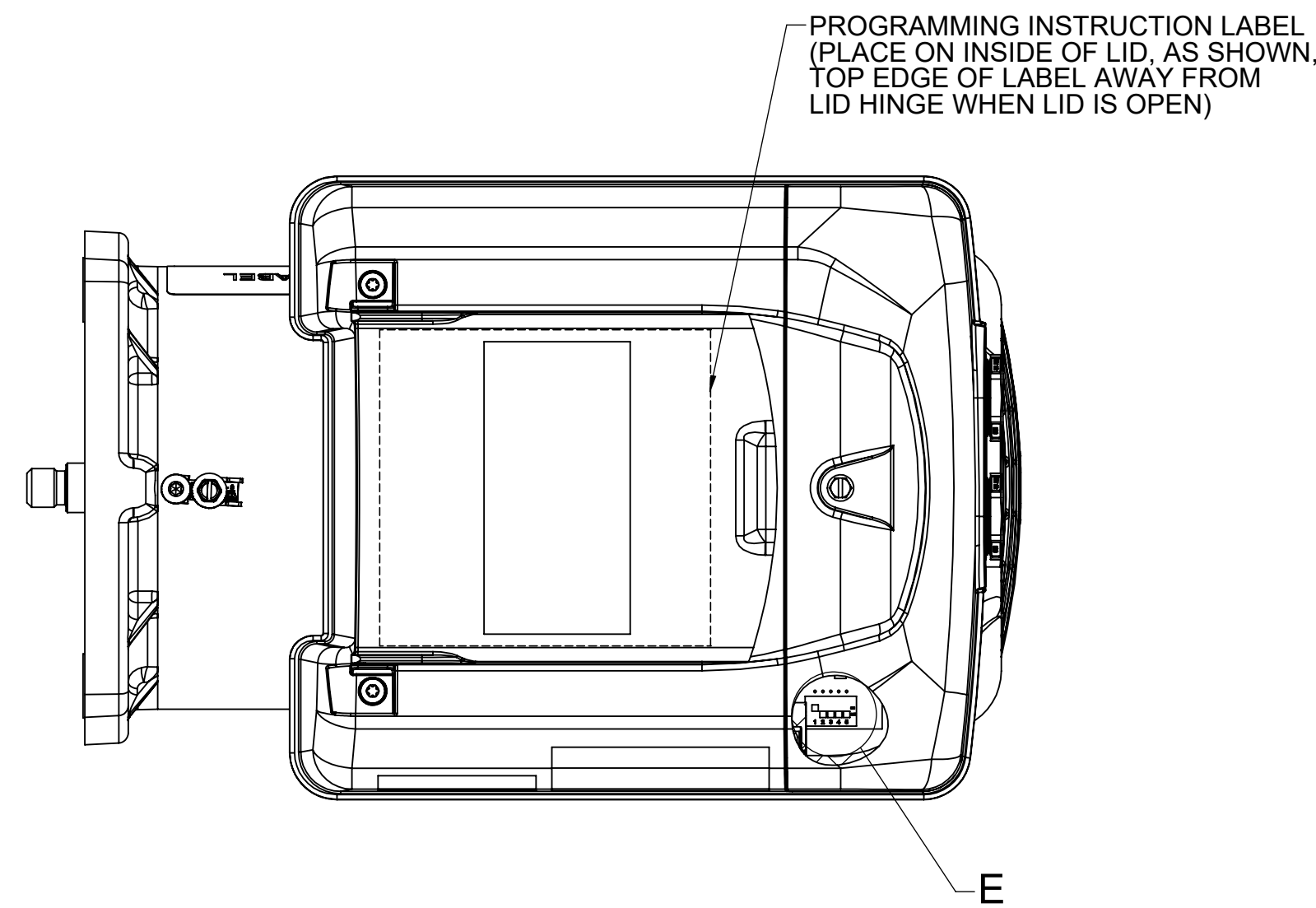
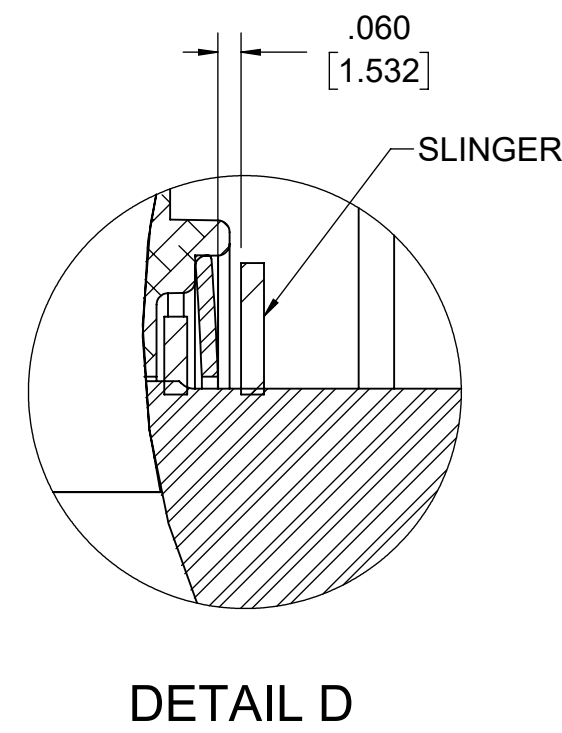
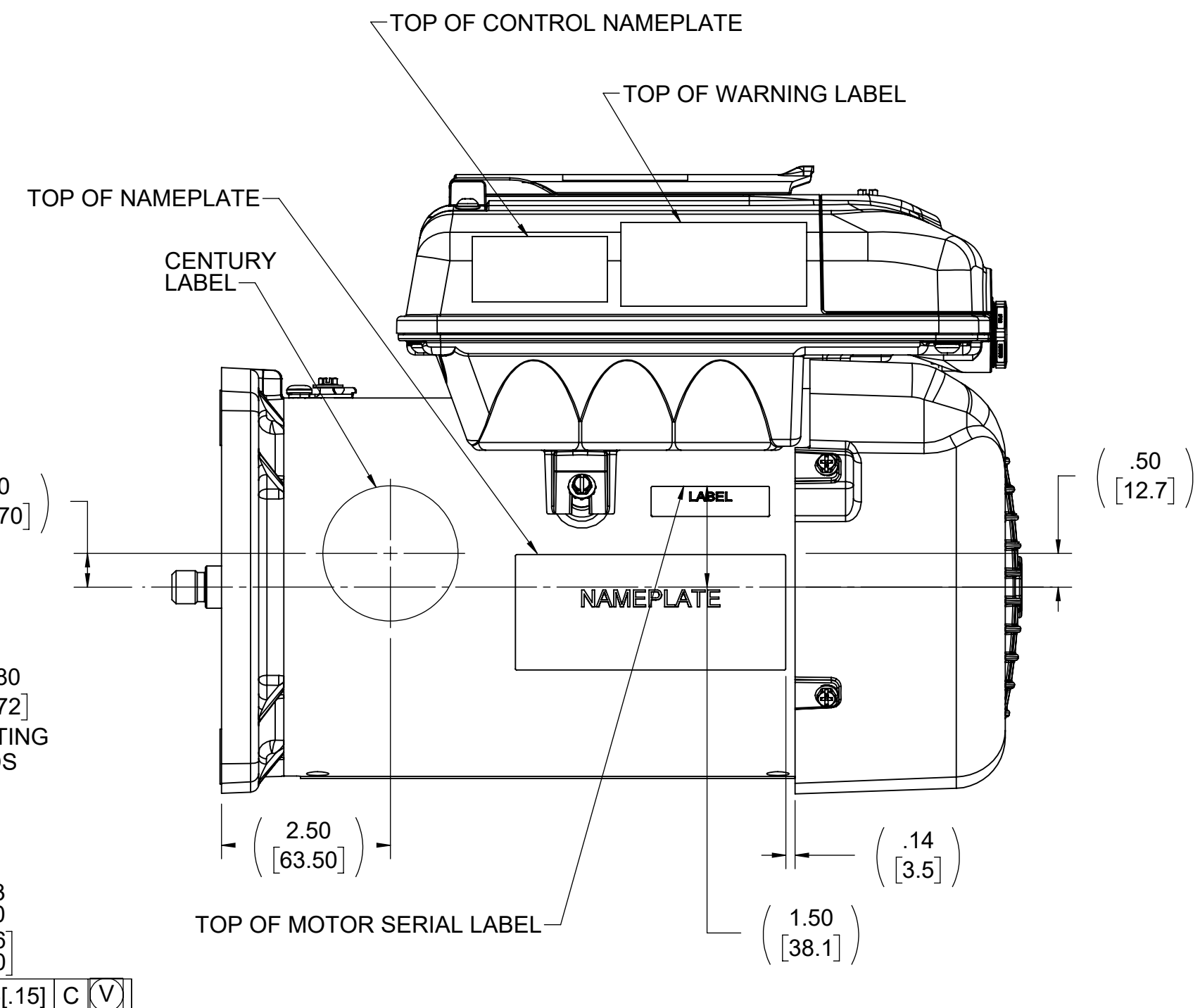
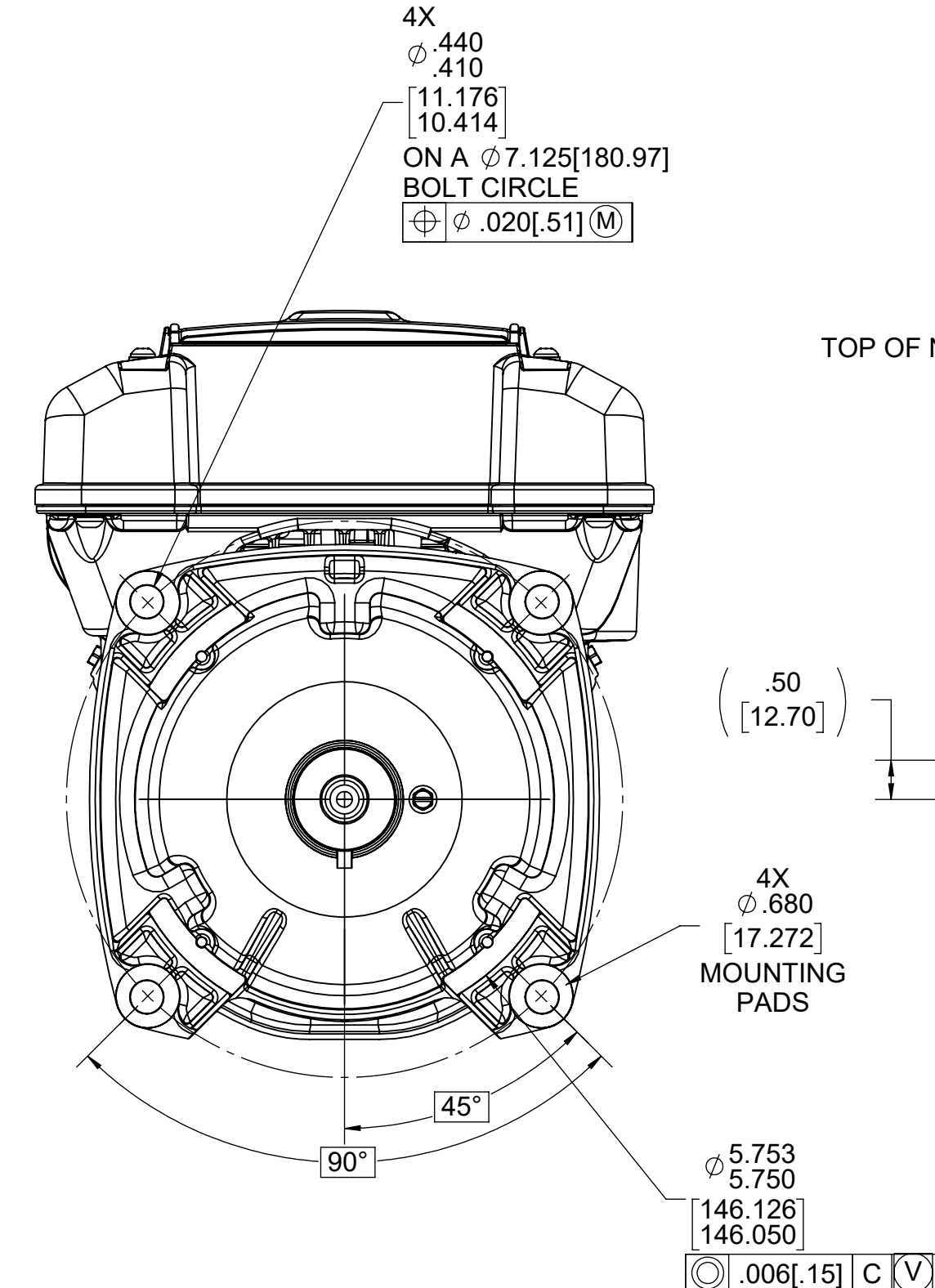
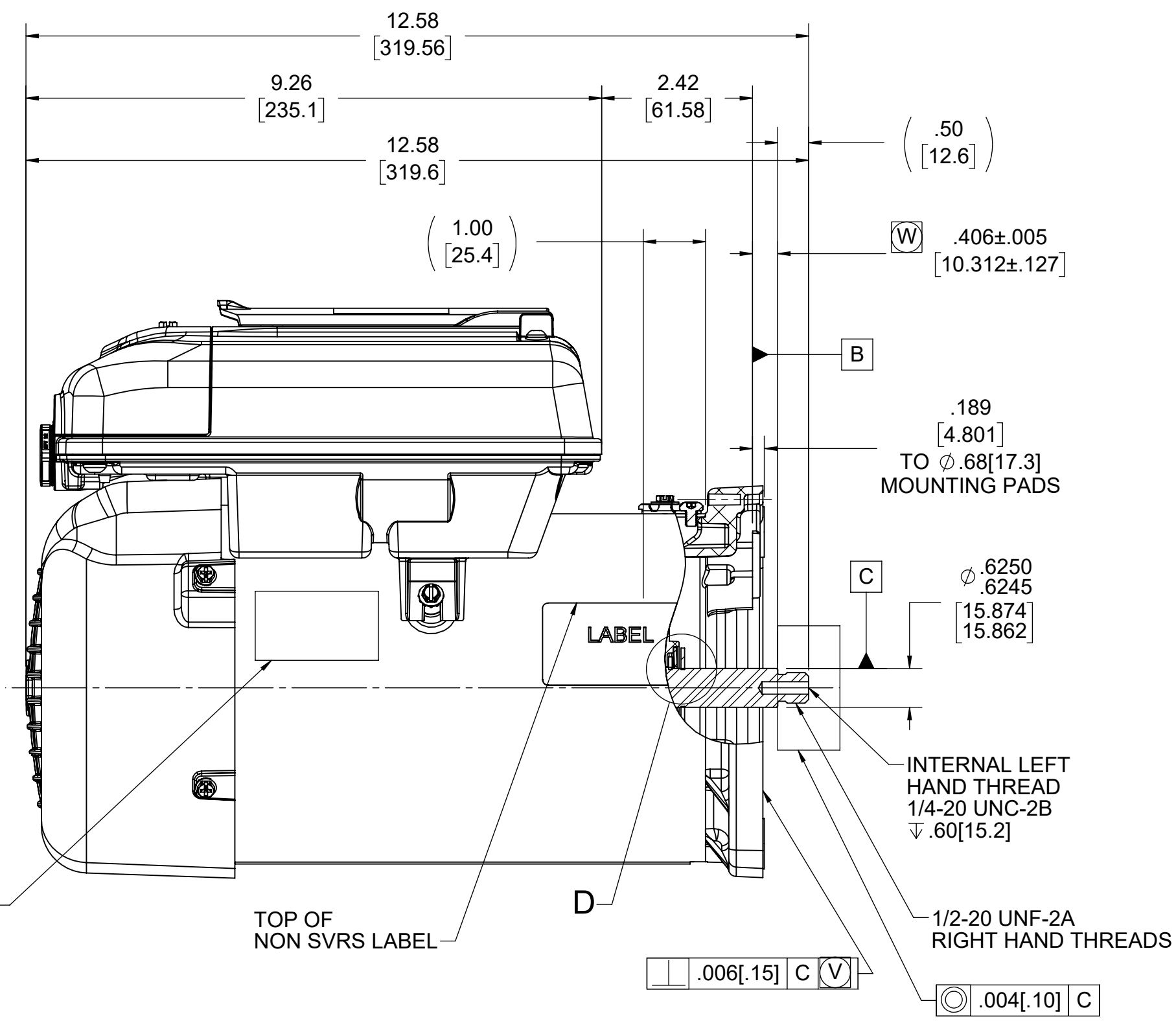
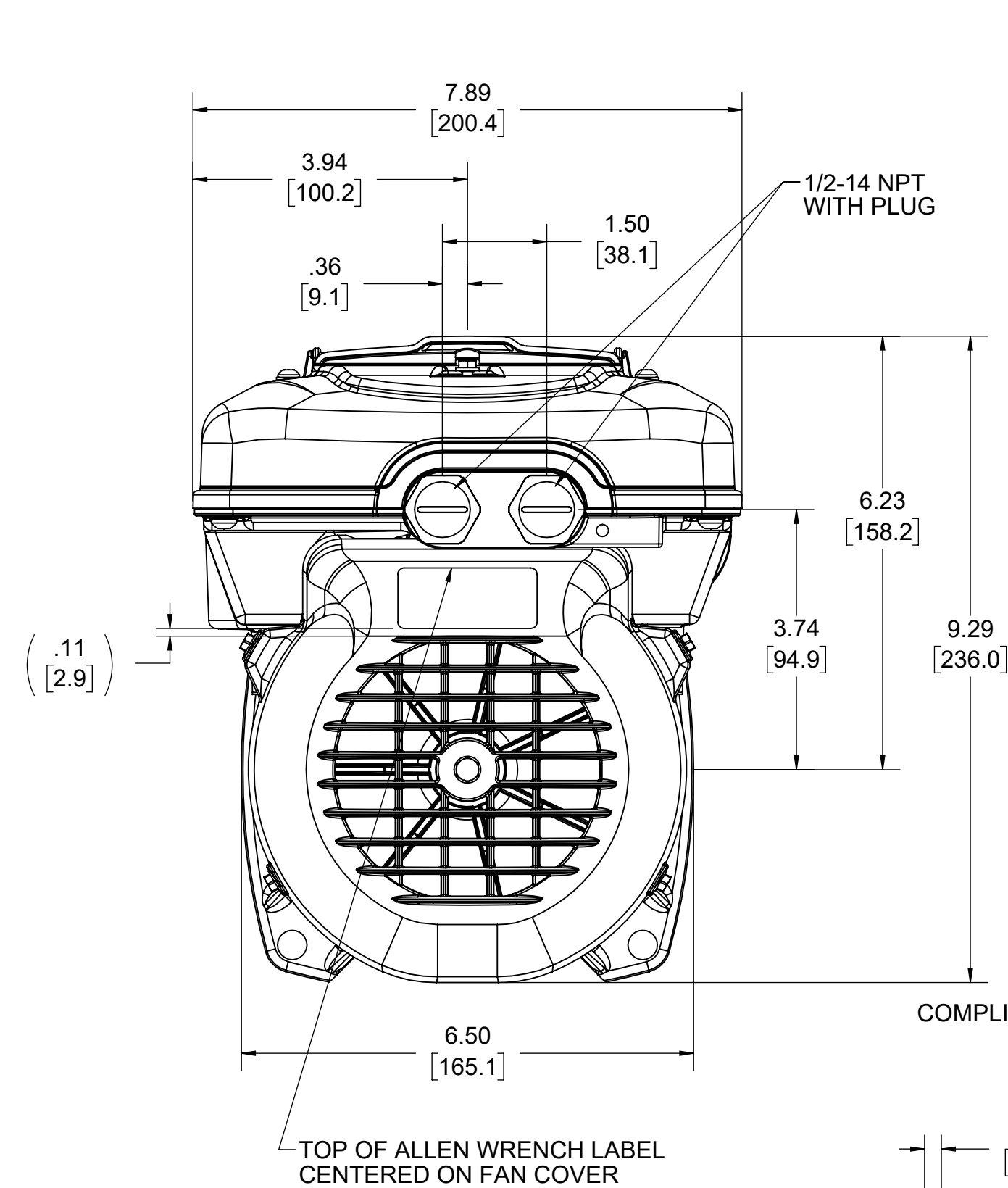
Nameplate Specifications

Output HP	.01-.85 Hp	Output KW	0.63 kW
Frequency	60 Hz	Voltage	115 V
Current	0.4-10.0 A	Speed	600-3450 rpm
Service Factor	1	Phase	1
Duty	Continuous	Insulation Class	F
Frame	48Y	Enclosure	Totally Enclosed Fan Cooled
Thermal Protection	Automatic	Ambient Temperature	40 °C
UL	Recognized	CSA	N
Number of Speeds	2		

Technical Specifications

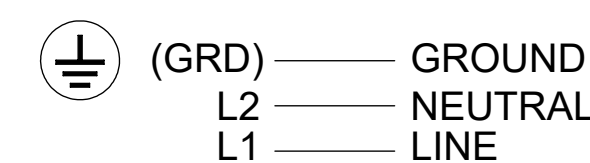
Electrical Type	Permanent Magnet Motor	Poles	2
Rotation	Clockwise Lead End	Mounting	Square Flange
Motor Orientation	Horizontal	Drive End Bearing	Ball
Opp Drive End Bearing	Ball	Frame Material	Rolled Steel
Shaft Type	Threaded	Overall Length	12.58 in
Frame Length	7.81 in	Shaft Diameter	0.625 in
Shaft Extension	0.906 in		
Connection Drawing	User Manual	Outline Drawing	ELV08SQ

This is an uncontrolled document once printed or downloaded and is subject to change without notice. Date Created:11/28/2022



- NOTES:
1. END PLAY NOT TO EXCEED .010 [25] MEASURED WITH NO THRUST
 2. ALL DIMENSIONS SHOWN IN PARENTHESES ARE REFERENCE DIMENSIONS
 3. MOTOR & CONTROLLER FINISH PAINT TO BE SATIN BLACK.
 4. IDENTIFIES CRITICAL CHARACTERISTICS
EXPECTED CAPABILITY:
Cpk 2.0 OR 100% TESTING
 - IDENTIFIES MAJOR CHARACTERISTICS
EXPECTED CAPABILITY:
Cpk 1.33 OR GREATER
UNLESS OTHERWISE SPECIFIED

EXTERNAL CONNECTION DIAGRAM



NAMEPLATE DATA			
MODEL NUMBER	M48AB16A01	CUSTOMER MODEL NUMBER	ELV08SQ
HP	.01-.85	TYPE	M
VOLTS	115	FRAME SIZE	48Y
AMPS	0.4-10.0	PHASE	1
KW	.71	INSULATION CLASS	F
SF AMPS	-	AMBIENT TEMPERATURE	40°C
HERTZ	60	DUTY	CONT
REVOLUTIONS PER MINUTE	600-3450	ENCLOSURE	TEFC
SERVICE FACTOR	1.00	ELECTRONICALLY PROTECTED	
ROTATION	CWLE	CODE	NA
PERFORMANCE CURVE NUMBER	-	FORM	-
CUSTOMER	DISTRIBUTION	APPROVED SAMPLE	-

DRAWING REVISION D	REVISION BY SHESHI	DATE 09/30/2021	TOLERANCES UNLESS OTHERWISE SPECIFIED: DEC. INCH mm ANGLE X ±0.1 [±2.5] .XX ±0.02 [±0.51] XXX ±0.005 [±0.127] XXXX ±0.0005 [±0.0127]	DRAWN BY J. JOHNS	DATE 3/6/2017	APPROVED BY M. OVERHOLSER	DATE 3/6/2017	THIRD ANGLE PROJECTION	SIZE D	DRAWING NUMBER ELV08SQ	SHEET 1 OF 1
ECO DESCRIPTION ECR-0211353 D.SURYAWANSHI			APPROVED BY D.SURYAWANSHI	DATE 09/30/2021	DESCRIPTION OUTLINE	MATERIAL MODEL-PFHP-48FR-ECM	PROCESS/FINISH	REGAL™ Regal Beloit America, Inc.			
<small> PROPRIETARY AND CONFIDENTIAL INFORMATION - THIS DOCUMENT IS THE PROPERTY OF REGAL BELOIT AMERICA, INC. OWNERS AND CONTAINS OWNERS PROPRIETARY INFORMATION. ANY PERSON, CORPORATION OR OTHER FIRM RECEIVING IT IS DEEMED TO HAVE AGREED TO IT, AND ANY PART OF IT, SHALL NOT BE DISCLOSED TO ANY PERSON, CORPORATION OR OTHER ENTITY, DUPLICATED AND/OR USED, EXCEPT AS EXPRESSLY APPROVED IN WRITING IN ADVANCE BY OWNER. THIS DOCUMENT SHALL BE RETURNED TO OWNER UPON REQUEST. IT MAY BE SUBJECT TO CERTAIN RESTRICTIONS UNDER APPLICABLE EXPORT CONTROL LAWS AND REGULATIONS. </small>											