

4

3

2

1

REV	ECO	REV BY	DATE	APPD	DATE
B	0025584	J.AGUILERA	04-25-2012	R.RASCON	04-25-2012

D

D

C

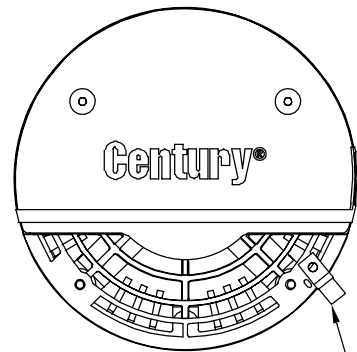
C

B

B

A

A



BONDING LUG

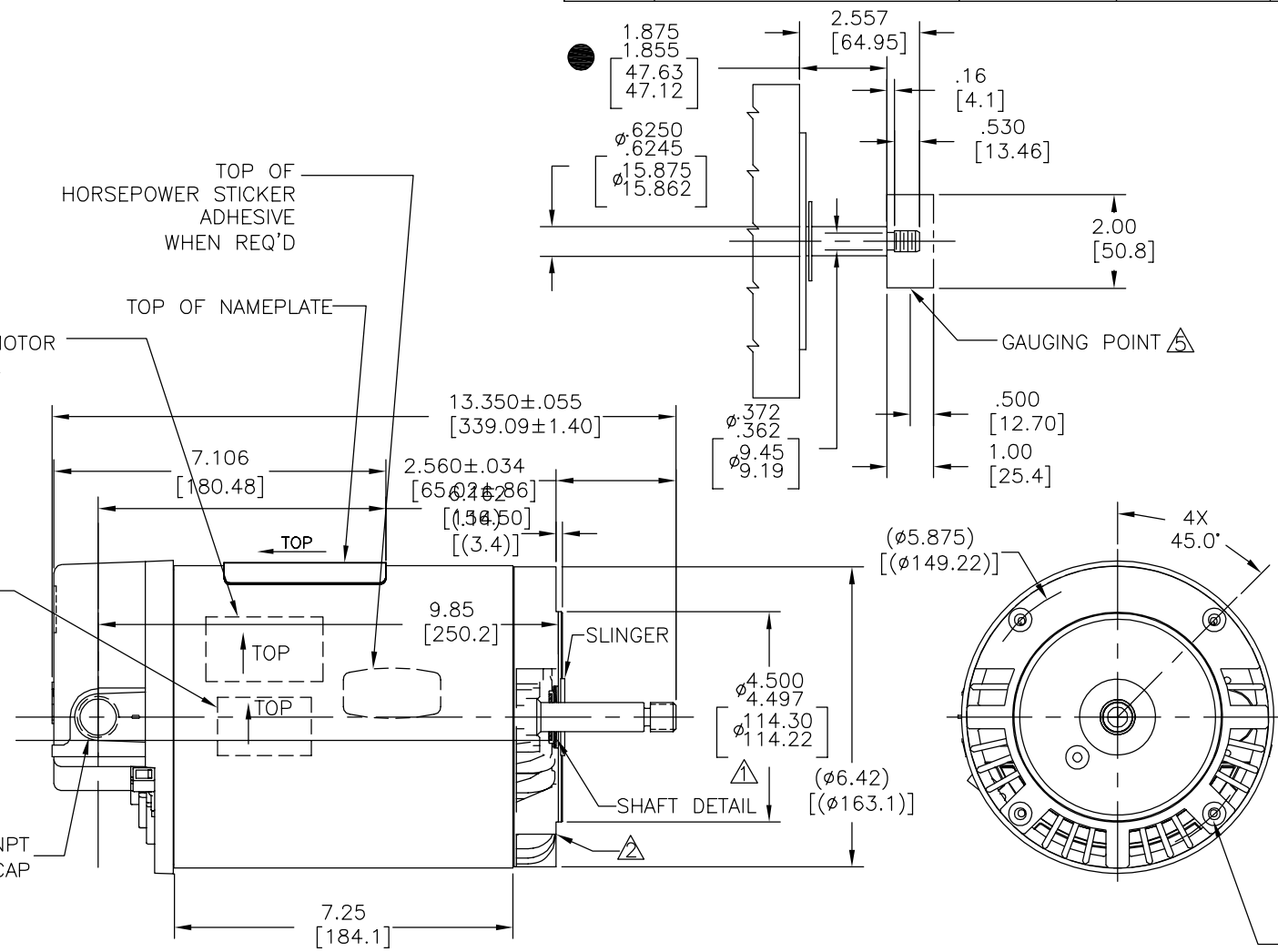
TOP OF HORSEPOWER STICKER ADHESIVE WHEN REQ'D

TOP OF NAMEPLATE

NON SVRS LABEL ON BACK SIDE OF MOTOR ABOVE SERIAL LABEL

SERIAL LABEL AT 9:00 O'CLOCK

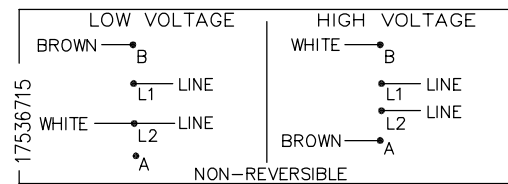
1/2-14 NPT W/CAP



NAMEPLATE DATA

MODEL: 1936850J
 CUST PN: USN1152
 HP: 1.5 SF: 1.25
 ROT: CCWPE
 RPM: 3450
 TYPE: CX CODE: G
 FORM: FRAME: N 56 J
 VOLTS: 208-230/115
 AMPS:
 MAX AMPS:
 SF AMPS: 8.5-7.8/15.6
 PH: 1 HZ: 60
 INS: B AMB: 50°
 DUTY: CONT
 ENCLOSURE: ODP
 THERMALLY PROTECTED

EXTERNAL CONNECTION DIAGRAM



NOTES

- PILOT DIAMETER IS CONCENTRIC WITH SHAFT CENTERLINE WITHIN .004[.10] T.I.R.
- FACE OF MOUNTING FLANGE IS PERPENDICULAR TO SHAFT CENTERLINE WITHIN .004[.10] T.I.R.
- SHAFT RUNOUT NOT TO EXCEED .002[.05] T.I.R.
- FOR THREADED SHAFT EXT. MATING, PARTS SHOULD BE RELIEVED ONE THREAD TO CLEAR FILLET.
- FOR THREADED SHAFT EXT. ECCENTRICITY OF THREADED PORTION OF SHAFT IS HELD WITHIN .004[.10] TOTAL GAUGE READING WITH THE INDICATOR ON O.D. OF GROUND RING GAGE AS SHOWN. THE GAGE BEING STATIONARY WITH RESPECT TO THE ROTOR.
- END PLAY NOT TO EXCEED .010[.25] MEASURED WITH NO THRUST.
- FRONT END FRAME TO BE ALIGNED WITH BACK END FRAME TO WITHIN ±1° RADIAL ALIGNMENT ±.060[±1.52]
- = CRITICAL DIMENSION

PERFORMANCE CURVE

19222711

APPROVED SAMPLE

CSA

GEOMETRIC CHARACTERISTICS & SYMBOLS

- FLATNESS
- STRAIGHTNESS
- ANGULARITY
- PERPENDICULARITY (SQUARENESS)
- PARALLELISM
- ROUNDNESS (CIRCULARITY)
- CYLINDRICITY
- PROFILE OF ANY SURFACE
- PROFILE OF ANY LINE
- RUNOUT
- TRUE POSITION
- CONCENTRICITY
- SYMMETRY

UNLESS OTHERWISE SPECIFIED DIM. TOLERANCES ARE AS FOLLOWS:

INCH: .1, .02, .005, .0005
 mm: ±0.5, ±0.13, ±0.013
 ANG. ±.50 DEG
 REMOVE BURRS & BREAK SHARP EDGES:
 INCH: .003-.015 mm 0.1-0.4
 CORNER FILLETS TO:
 INCH: .020 mm 0.5
 MACHINE SURFACES:
 INCH: 125 mm 3.2

DR BY:

TH

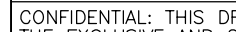
10-27-2010

APPD:

TZ

10-27-2010

THIRD ANGLE PROJECTION



EDS DATE 11-11-2011

FORMAT REV G

CONFIDENTIAL: THIS DRAWING AND ITS INFORMATION ARE THE EXCLUSIVE AND CONFIDENTIAL PROPERTY OF REGAL-BELOIT CORPORATION AND ARE NOT TO BE DISCLOSED, DUPLICATED, DISTRIBUTED OR OTHERWISE USED WITHOUT THE WRITTEN CONSENT OF REGAL-BELOIT CORPORATION. -ALL RIGHTS RESERVED.



DESCRIPTION

MODEL-PFHP-56FR
 OUTLINE

SIZE

C

DWG NO

USN1152

SCALE

NONE

SHEET

1

4

3

2

1

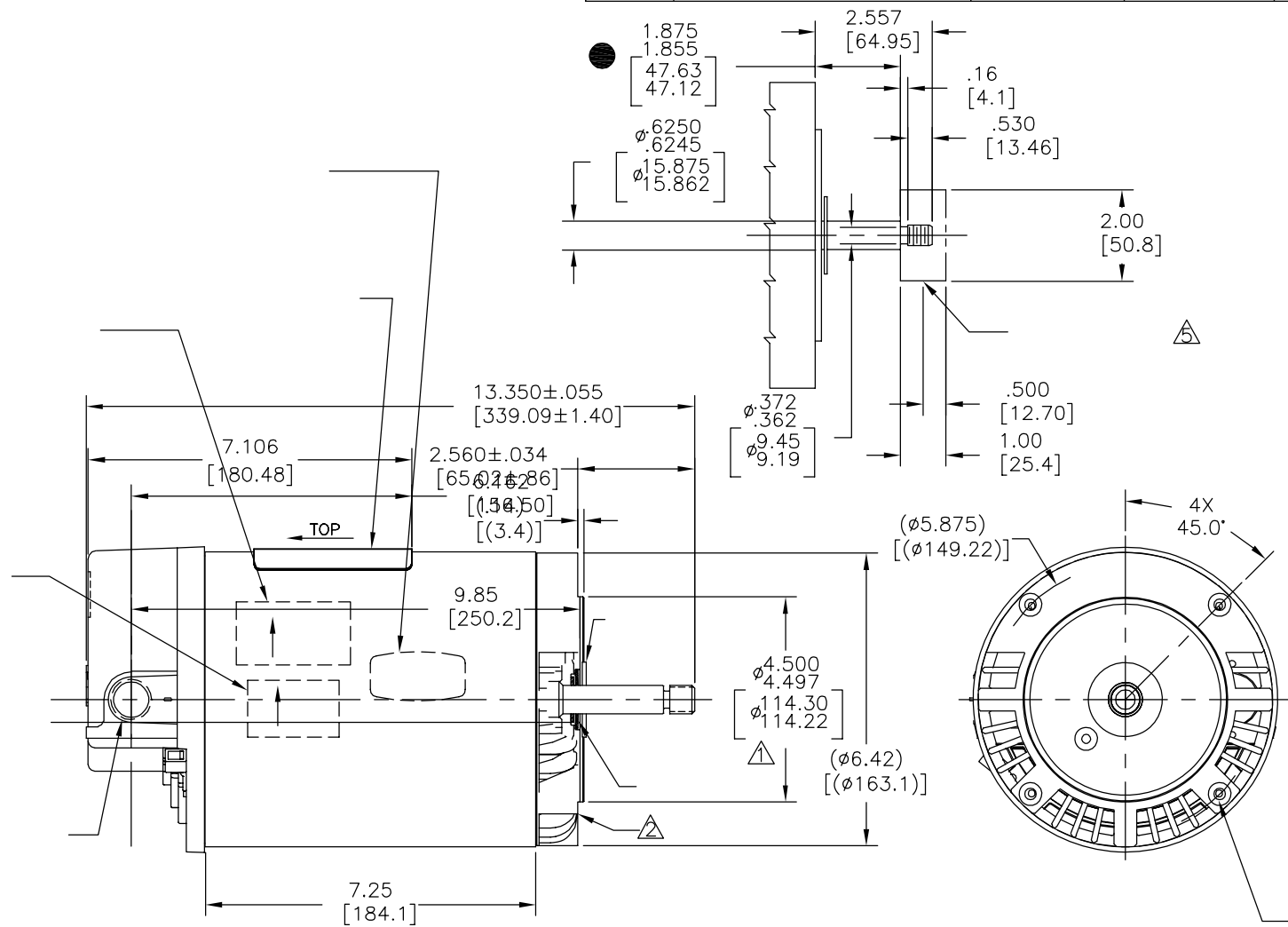
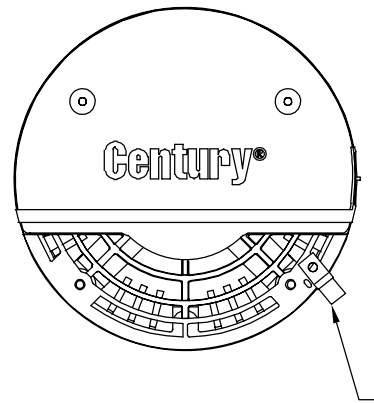
4

3

2

1

REVISION:	ECO	REVISADO POR:	FECHA:	APROBADO POR:	FECHA:
B	0025584	J.AGUILERA	04-25-2012	R.RASCON	04-25-2012



NAMEPLATE DATA	EXTERNAL CONNECTION DIAGRAM	NOTES
MODEL: 1936850J CUST PN: USN1152 HP: 1.5 SF: 1.25 ROT: CCWPE RPM: 3450 TYPE: CX CODE: G FORM: FRAME: N 56 J VOLTS: 208-230/115 AMPS: MAX AMPS: SF AMPS: 8.5-7.8/15.6 PH: 1 HZ: 60 INS: B AMB: 50° DUTY: CONT ENCLOSURE: ODP THERMALLY PROTECTED		

PERFORMANCE CURVE	APPROVED SAMPLE	CARACTERISTICAS DE GEOMETRIA Y SIMBOLOS □ PLANICIDAD - RECTITUD < ANGULARIDAD ⊥ PERPENDICULARIDAD (A ESQUADRA) // PARALELISMO ○ REDONDEZ (CIRCULARIDAD) ∅ CILINDRICIDAD △ PERFIL DE CUALQUIER SUPERFICIE ▲ PERFIL DE CUALQUIER LINEA ↗ VARIACION ⊕ POSICION REAL ⊙ CONCENTRICIDAD = SIMETRIA	DIBUJADO POR: TH 10-27-2010 APROBADO POR: TZ 10-27-2010 TERCER ANGULO DE PROYECCION FECHA EDS: 11-11-2011 REV. FORMATO: G	DESCRIPCION: MODEL-PFHP-56FR OUTLINE TAMAÑO: C NUMERO DE DIBUJO: USN1152 ESCALA: NONE HOJA: 1
19222711	CSA		A MENOS QUE SE ESPECIFIQUE DE OTRA MANERA, LAS TOLERANCIAS DE LAS DIMS; SON LAS SIGUIENTES: PULG ±.1 ±.02 ±.005 ±.0005 mm ±0.5 ±0.13 ±0.013 ANG. ±50 GRADOS ELIMINAR REBABAS Y ORILLAS FILOSAS DEL BORDE. PULG .003-.015 mm 0.1-0.4 FILETEAR ESQUINA: PULG .020 mm 0.5 MAQUINAR SUPERFICIES PULG 125 mm .32 DIMS METRICAS MOSTRADAS [PARENTESIS]	

4

3

2

1

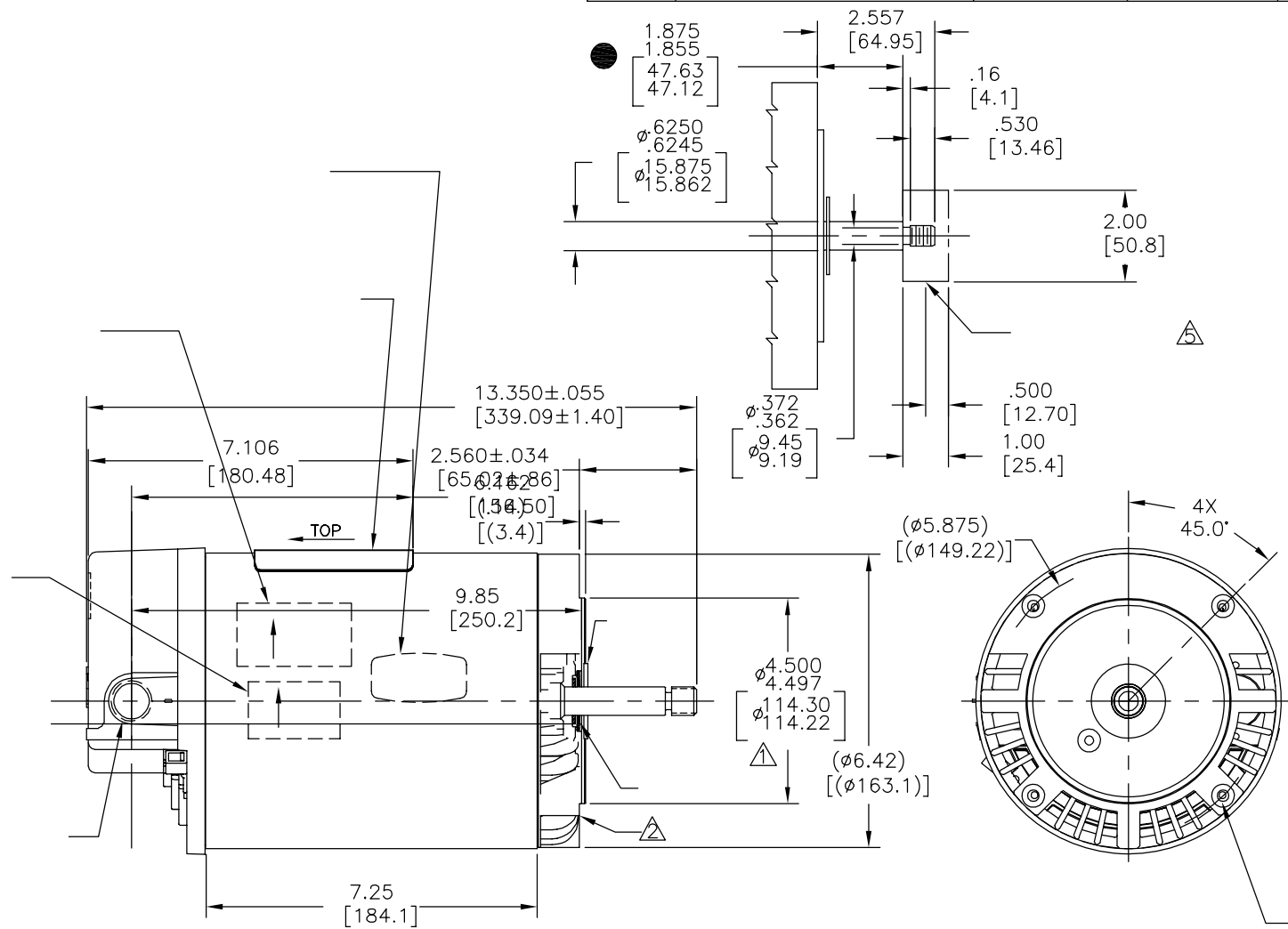
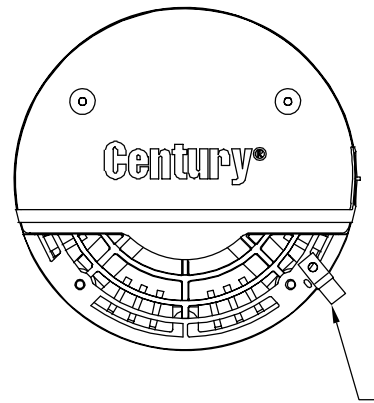
4

3

2

1

版本	ECO	编制	日期	批准	日期
B	0025584	J.AGUILERA	04-25-2012	R.RASCON	04-25-2012



NAMEPLATE DATA	EXTERNAL CONNECTION DIAGRAM	NOTES
MODEL: 1936850J CUST PN: USN1152 HP: 1.5 SF: 1.25 ROT: CCWPE RPM: 3450 TYPE: CX CODE: G FORM: FRAME: N 56 J VOLTS: 208-230/115 AMPS: MAX AMPS: SF AMPS: 8.5-7.8/15.6 PH: 1 HZ: 60 INS: B AMB: 50° DUTY: CONT ENCLOSURE: ODP THERMALLY PROTECTED		

PERFORMANCE CURVE	APPROVED SAMPLE		
19222711			
UL COMPONENT	CSA		
FILE#	CCN#	FILE#	GUIDE#
PENDING	PENDING	PENDING	PENDING
CUSTOMER	DISTRIBUTION		

形位公差	除另有注明
□ 平面度	尺寸公差如下:
— 直线度	英寸 X XX XXX XXXX
∠ 倾斜度	毫米 ±.1 ±.02 ±.005 ±.0005
⊥ 垂直度	毫米 ±0.5 ±0.13 ±0.013
// 平行度	角度 ±.50 度
○ 圆度	清理毛刺和尖棱
⊘ 圆柱度	英寸 .003-.015 毫米 0.1-0.4
△ 面轮廓度	内圆角
∩ 线轮廓度	英寸 .020 毫米 0.5
∧ 圆跳动	表面粗糙度
⊕ 位置度	英制 125 米制 3.2
◎ 同轴度	米制尺寸显示在 []
≡ 对称度	

绘图:	TH	10-27-2010
批准:	TZ	10-27-2010
第三角投影		图纸格式发布日期 11-11-2011 图纸格式版本 G
机密: 本图纸及相关信息所有权归REGAL-BELOIT CORPORATION. 未经REGAL-BELOIT CORPORATION书面授权, 不得泄露、复制、传播或作其他用途。一版权所有		

名称	REGAL-BELOIT CORPORATION	
名称	MODEL-PFHP-56FR OUTLINE	
图幅	C	图号 USN1152
比例	NONE	页号 1

4

3

2

1