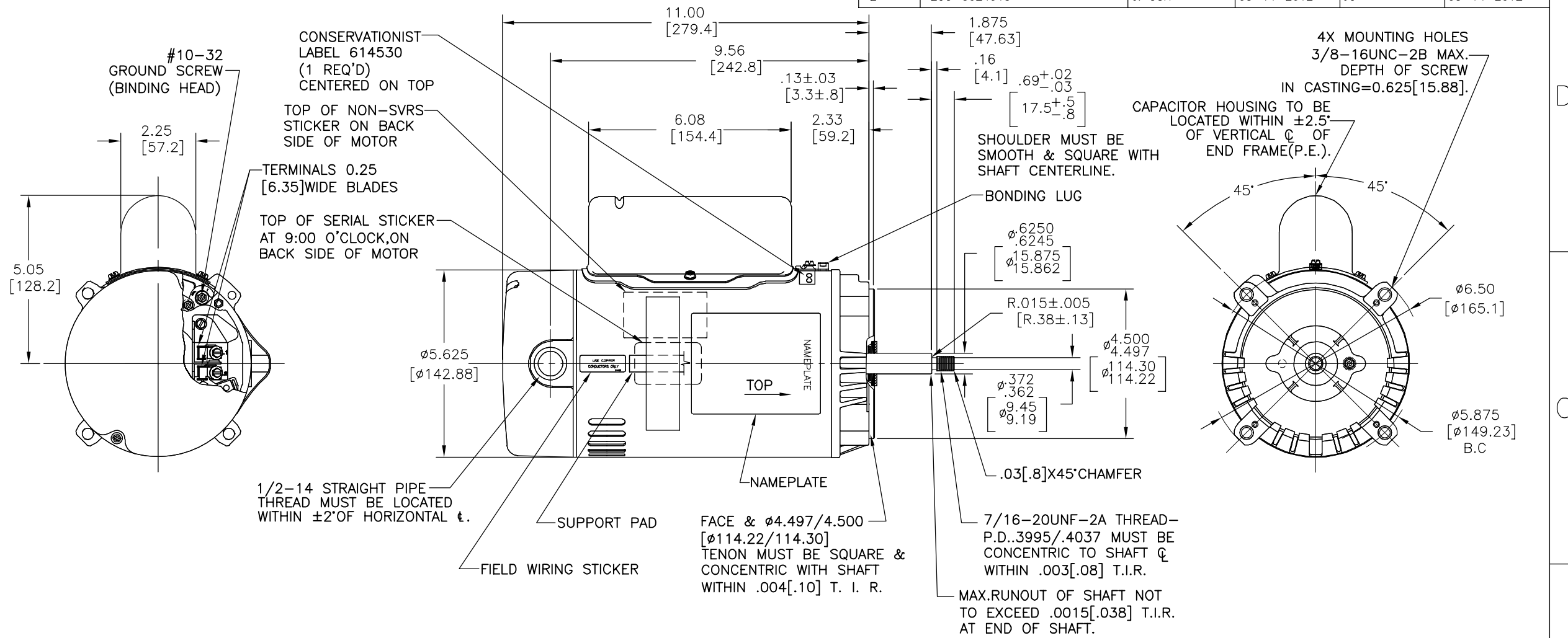


| REV | ECO | REV BY | DATE | APPD | DATE |
|-----|-------------|--------|------------|------|------------|
| E | ECO-0024913 | J. COX | 03-14-2012 | JC | 03-14-2012 |



| NAMEPLATE DATA | EXTERNAL CONNECTION DIAGRAM | NOTES |
|---|-----------------------------|--|
| MODEL: K48J2N100A2 CUST PN: UCT1072 HP: 3/4 SF: 1.0 ROT: CCWPE RPM: 3450 TYPE: K CODE: K FORM: --- FRAME: 56J VOLTS: 115/230 AMPS: MAX AMPS: 8.0/4.0 SF AMPS: --- PH: 1 HZ: 60 INS: B AMB: 50 °C DUTY: CONT ENCLOSURE: ODP THERM. PROT. CET68ABN | | <ol style="list-style-type: none"> 1. FINISH PAINT TO BE SATIN BLACK. 2. .44[11.2] WRENCH FLATS ON SHAFT -FOR ACCESS TO THIS WRENCH FLAT REMOVE END COVER. 3. STAINLESS STEEL SHAFT EXT. 4. LIMITS ON AMPLITUDE OF VIBRATION MEASURED AT BEARING HOUSING = .001[.03]. 5. CONNECTED FOR HIGH VOLTAGE QUICK VOLTAGE CHANGE PLUG INCLUDED ON THE TERMINAL BOARD. |

| | | | | | |
|------------------------------|----------------------|---|--|---|---|
| PERFORMANCE CURVE K48J2W2 | APPROVED SAMPLE - | GEOMETRIC CHARACTERISTICS & SYMBOLS □ FLATNESS - STRAIGHTNESS < ANGLARITY ⊥ PERPENDICULARITY (SQUARENESS) // PARALLELISM ○ ROUNDNESS (CIRCULARITY) ∅ CYLINDRICITY △ PROFILE OF ANY SURFACE ∩ PROFILE OF ANY LINE ↑ RUNOUT ⊕ TRUE POSITION ⊙ CONCENTRICITY = SYMMETRY ASME Y14.5M 1994 | UNLESS OTHERWISE SPECIFIED DIM. TOLERANCES ARE AS FOLLOWS: INCH X XX XXX XXXX ±.1 ±.02 ±.005 ±.0005 mm ±0.5 ±0.13 ±0.013 ANG. ±.50 DEG REMOVE BURRS & BREAK SHARP EDGES: INCH .003-.015 mm 0.1-0.4 CORNER FILLETS TO: INCH .020 mm 0.5 MACHINE SURFACES: INCH 125 mm 3.2 METRIC DIMS. SHOWN IN [BRACKETS] | DR BY: JZ 11-04-2010 APPD: TZ 11-04-2010 THIRD ANGLE PROJECTION CONFIDENTIAL: THIS DRAWING AND ITS INFORMATION ARE THE EXCLUSIVE AND CONFIDENTIAL PROPERTY OF REGAL-BELOIT CORPORATION AND ARE NOT TO BE DISCLOSED, DUPLICATED, DISTRIBUTED OR OTHERWISE USED WITHOUT THE WRITTEN CONSENT OF REGAL-BELOIT CORPORATION. -ALL RIGHTS RESERVED. | REGAL-BELOIT CORPORATION DESCRIPTION: MODEL-PFHP-48FR OUTLINE SIZE: C DWG NO: UCT1072 SCALE: NONE SHEET: 1 |
|------------------------------|----------------------|---|--|---|---|

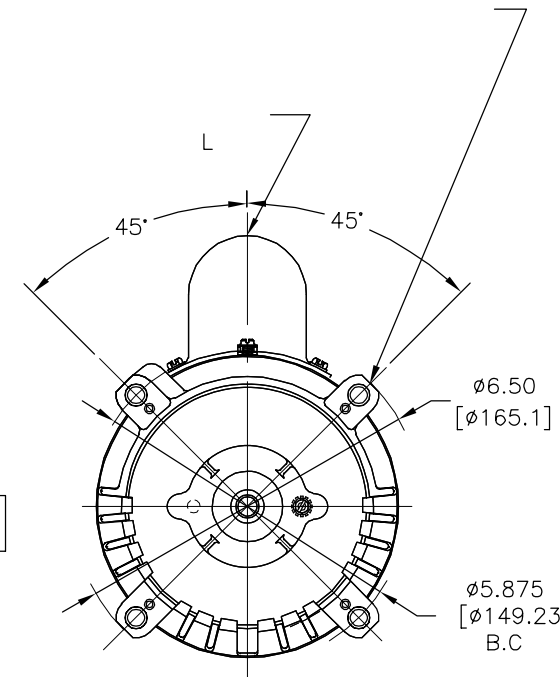
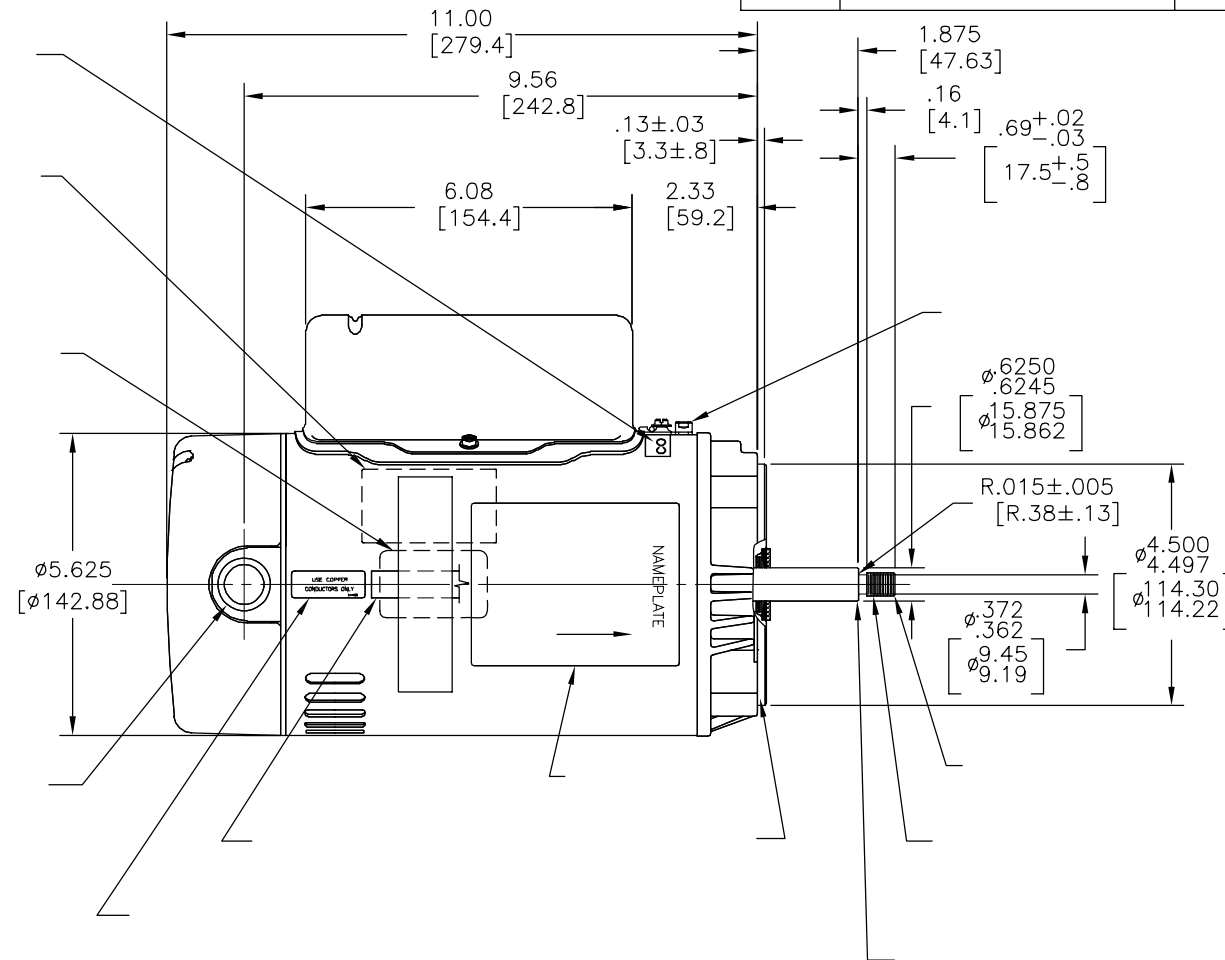
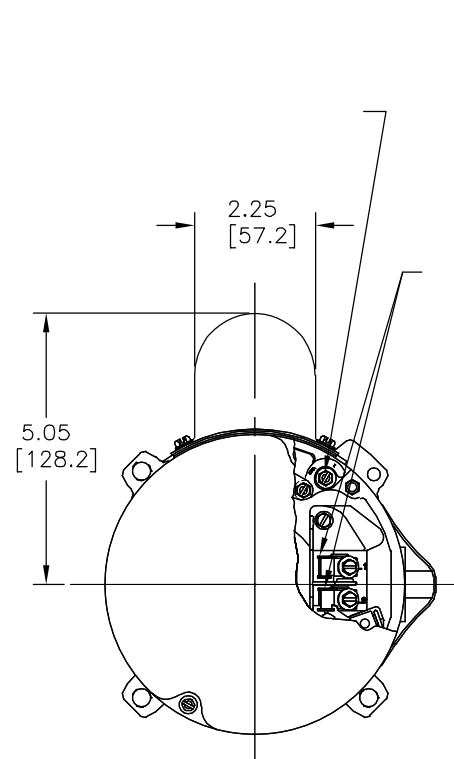
4

3

2

1

| | | | | | |
|-----------|-------------|---------------|------------|---------------|------------|
| REVISION: | ECO | REVISADO POR: | FECHA: | APROBADO POR: | FECHA: |
| E | ECO-0024913 | J. COX | 03-14-2012 | JC | 03-14-2012 |



| NAMEPLATE DATA | EXTERNAL CONNECTION DIAGRAM | NOTES |
|---|---|-------|
| MODEL: K48J2N100A2 CUST PN: UCT1072 HP: 3/4 SF: 1.0 ROT: CCWPE RPM: 3450 TYPE: K CODE: K FORM: --- FRAME: 56J VOLTS: 115/230 AMPS: MAX AMPS: 8.0/4.0 SF AMPS: --- PH: 1 HZ: 60 INS: B AMB: 50 °C DUTY: CONT ENCLOSURE: ODP THERM. PROT. CET68ABN | <p>GREEN (GROUND)</p> <p>NEUTRAL LINE</p> <p>ACCEPTABLE FOR FIELD WIRING</p> <p>HIGH VOLTAGE SHOWN. ROTATE DIAL CCW TO 115 FOR LOW VOLTAGE.</p> <p>USE COPPER CONDUCTORS ONLY. INSTALL MOTOR WITH VENTS DOWN.</p> | |

| | | | |
|-------------------|-----------------------|---------|---------|
| PERFORMANCE CURVE | APPROVED SAMPLE | | |
| K48J2W2 | - | | |
| UL COMPONENT | CSA | | |
| FILE# | CCN# | FILE# | GUIDE# |
| E25022 | XEWR2 | LR43341 | 4211-01 |
| CUSTOMER | DISTRIBUTION SERVICES | | |

CARACTERISTICAS DE GEOMETRIA Y SIMBOLOS

- PLANICIDAD
- RECTITUD
- ∠ ANGULARIDAD
- ⊥ PERPENDICULARIDAD (A ESQUADRA)
- // PARALELISMO
- REDONDEZ (CIRCULARIDAD)
- ⊘ CILINDRICIDAD
- △ PERFIL DE CUALQUIER SUPERFICIE
- ∩ PERFIL DE CUALQUIER LINEA
- ↑ VARIACION
- ⊕ POSICION REAL
- ◎ CONCENTRICIDAD
- = SIMETRIA

ASME Y14.5M 1994

A MENOS QUE SE ESPECIFIQUE DE OTRA MANERA, LAS TOLERANCIAS DE LAS DIMS; SON LAS SIGUIENTES:

PULG ±.1 ±.02 ±.005 ±.0005

mm ±0.5 ±0.13 ±0.013

ANG. ±50 GRADOS

ELIMINAR REBABAS Y ORILLAS FILOSAS DEL BORDE.

PULG .003-.015 mm 0.1-0.4

FILETEAR ESQUINA: PULG .020 mm 0.5

MAQUINAR SUPERFICIES

PULG 125 mm 3.2

DIMS METRICAS MOSTRADAS [PARENTESIS]

| | | |
|---|----|-----------------------|
| DIBUJADO POR: | JZ | 11-04-2010 |
| APROBADO POR: | TZ | 11-04-2010 |
| TERCER ANGULO DE PROYECCION | ⊕ | FECHA EDS: 11-11-2011 |
| | | REV. FORMATO: G |
| CONFIDENCIAL: ESTE DIBUJO Y SU INFORMACION SON PROPIEDAD DE USO EXCLUSIVO Y CONFIDENCIAL DE REGAL-BELOIT CORPORATION. Y NO DEBERAN SER REVELADOS, DUPLICADOS, DISTRIBUIDOS O USARSE DE OTRA MANERA SIN EL CONSENTIMIENTO ESCRITO DE REGAL-BELOIT CORPORATION. -TODOS LOS DERECHOS RESERVADOS. | | |

| | |
|-------------------------|---------------------------|
| | |
| DESCRIPCION: | |
| MODEL-PFHP-48FR OUTLINE | |
| TAMAÑO: C | NUMERO DE DIBUJO: UCT1072 |
| ESCALA: NONE | HOJA: 1 |

4

3

2

1

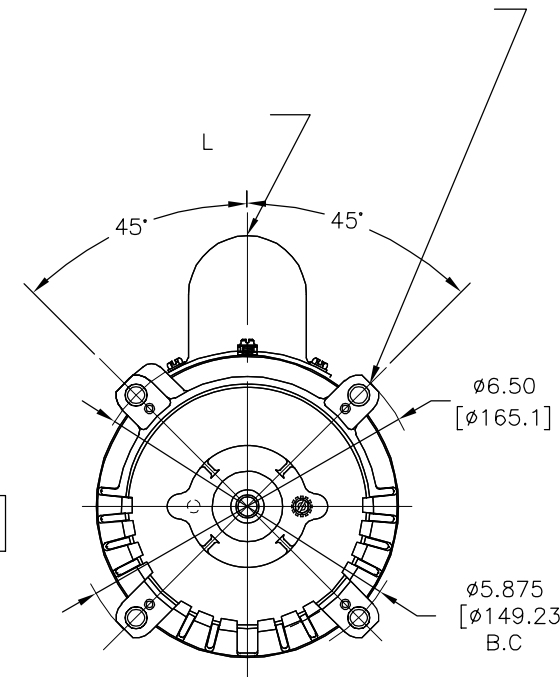
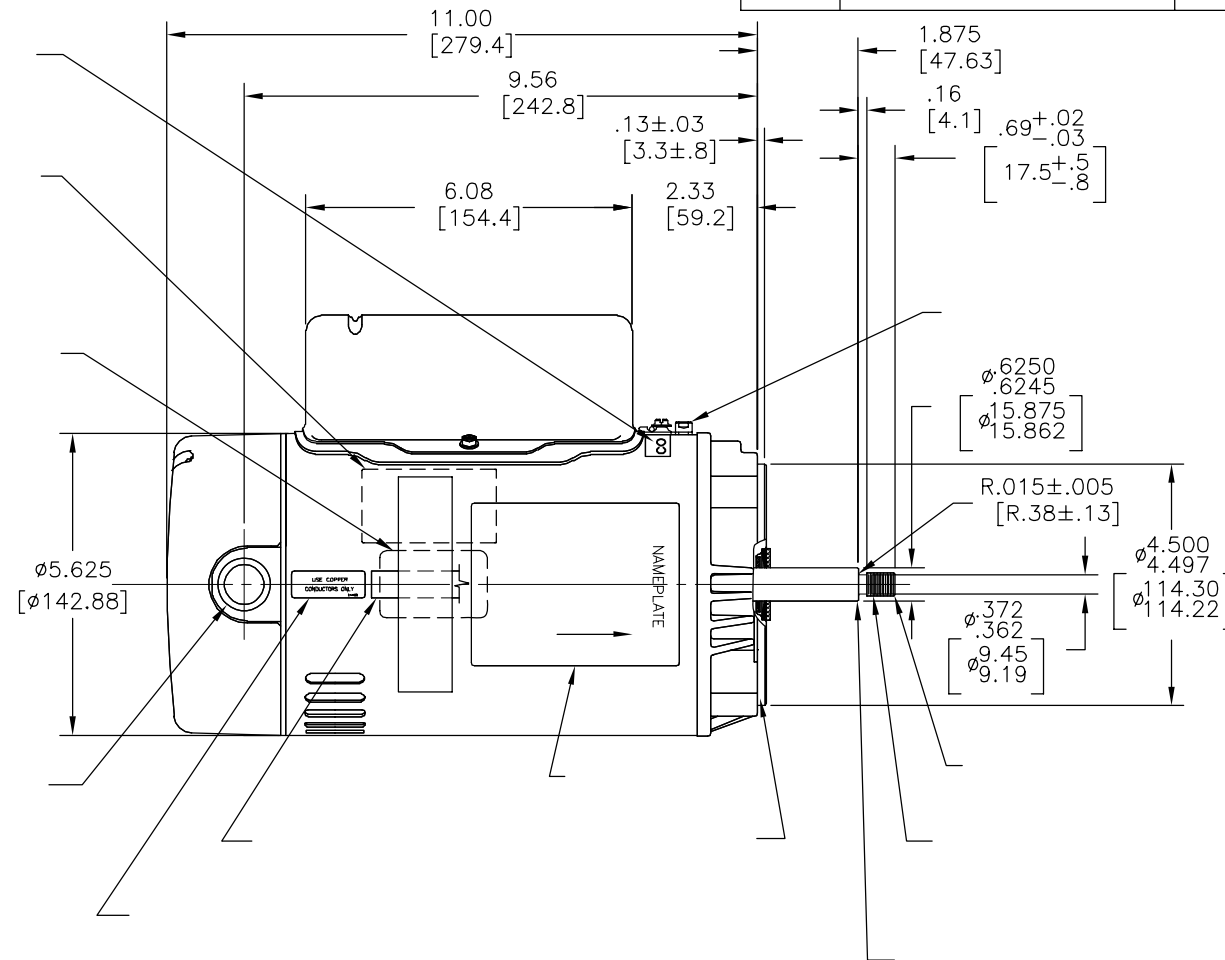
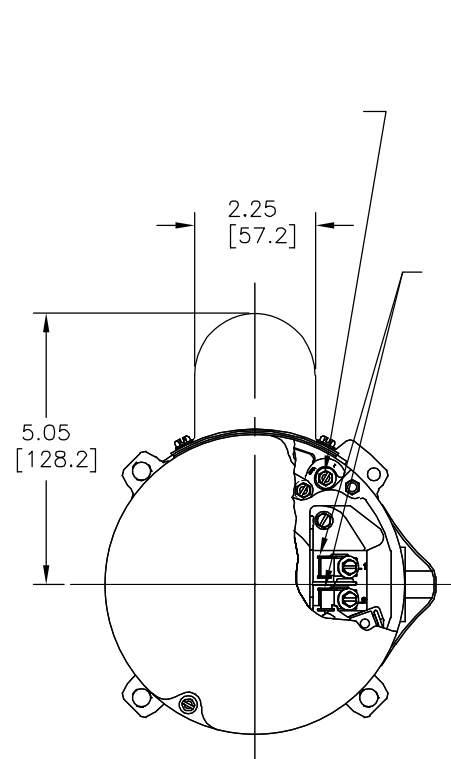
4

3

2

1

| | | | | | |
|----|-------------|--------|------------|----|------------|
| 版本 | ECO | 编制 | 日期 | 批准 | 日期 |
| E | ECO-0024913 | J. COX | 03-14-2012 | JC | 03-14-2012 |



| NAMEPLATE DATA | EXTERNAL CONNECTION DIAGRAM | NOTES |
|---|-----------------------------|-------|
| MODEL: K48J2N100A2 CUST PN: UCT1072 HP: 3/4 SF: 1.0 ROT: CCWPE RPM: 3450 TYPE: K CODE: K FORM: --- FRAME: 56J VOLTS: 115/230 AMPS: MAX AMPS: 8.0/4.0 SF AMPS: --- PH: 1 HZ: 60 INS: B AMB: 50 °C DUTY: CONT ENCLOSURE: ODP THERM. PROT. CET68ABN | | |

| | | | |
|-------------------|-----------------------|---------|---------|
| PERFORMANCE CURVE | APPROVED SAMPLE | | |
| K48J2W2 | - | | |
| UL COMPONENT | CSA | | |
| FILE# | CCN# | FILE# | GUIDE# |
| E25022 | XEWR2 | LR43341 | 4211-01 |
| CUSTOMER | DISTRIBUTION SERVICES | | |

形位公差

- 平面度
- 直线度
- ∠ 倾斜度
- ⊥ 垂直度
- // 平行度
- 圆度
- ⊘ 圆柱度
- △ 面轮廓度
- ∩ 线轮廓度
- ↗ 圆跳动
- ⊕ 位置度
- ⊙ 同轴度
- ≡ 对称度

ASME Y14.5M 1994

除另有注明
尺寸公差如下:

| | | | | |
|----|------|-------|--------|--------|
| 英寸 | ±.1 | ±.02 | ±.005 | ±.0005 |
| 毫米 | ±0.5 | ±0.13 | ±0.013 | |

角度 ±.50 度
清理毛刺和尖棱
英寸 .003-.015 毫米 0.1-0.4
内圆角
英寸 .020 毫米 0.5
表面粗糙度
英制 125 米制 3.2

米制尺寸显示在 []

绘图: JZ 11-04-2010

批准: TZ 11-04-2010

第三角投影

图框格式发布日期 11-11-2011
图框格式版本 G

机密: 本图纸及相关信息所有权归REGAL-BELOIT CORPORATION. 未经REGAL-BELOIT CORPORATION书面授权, 不得泄露、复制、传播或作其他用途。—版权所有

REGAL-BELOIT CORPORATION

名称: MODEL-PFHP-48FR OUTLINE

图幅: C 图号: UCT1072

比例: NONE 页号: 1

4

3

2

1