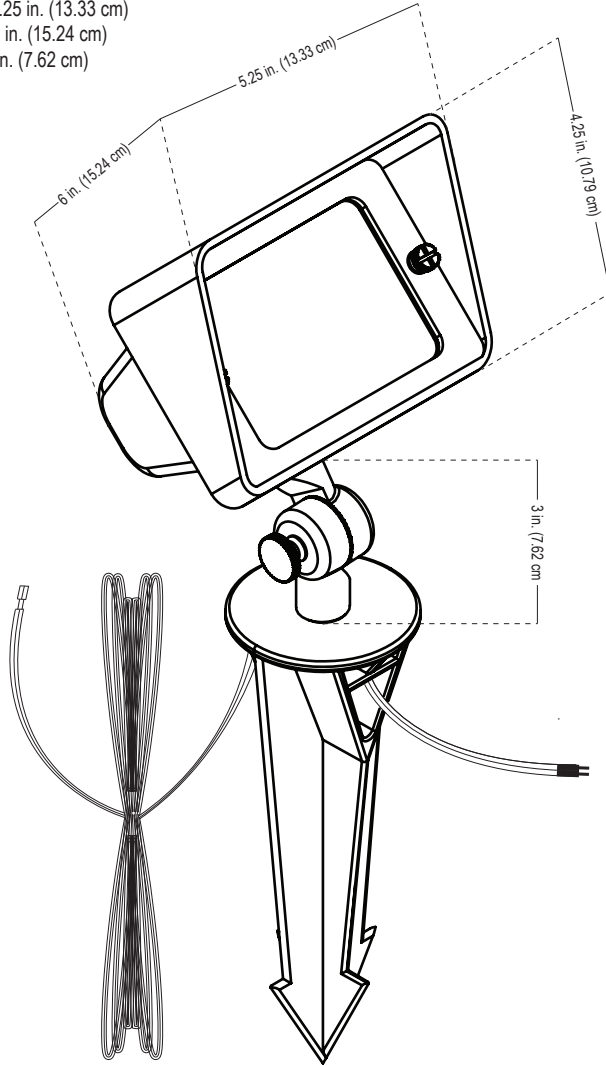


ALLIANCE

Specification Sheet

Model: FL200-bt (Integrated Bluetooth Flood Light)

Fixture Height: 4.25 in. (10.79 cm)
Fixture Width: 5.25 in. (13.33 cm)
Fixture Depth: 6 in. (15.24 cm)
Base Height: 3 in. (7.62 cm)



Notes:

Project:
Type:

Specifications and Features:

- Body:** Brass fixture, aged brass finish
- Knuckle:** Solid brass knuckle with dial adjustment
- Face plate:** Brass face plate with rubber gasket attached to fixture with 2 screws
- Lens:** Clear lens, Optional Frosted Lens Included
- Wire:** Industry First, double wire lead pre-connected to the fixture, 16 awg (*UL listed*), brown
 - 25 foot wire lead, pre-stripped for easy wire connection
 - 18 inch wire lead, LED connection ready
- Stake:** Plastic ground stake, attached to the fixture (8.5 in; 21.6 cm length)
- Warranty:** Ten year warranty on integrated fixture
- Certification:** Complies with the requirements of UL-1838 and CAN/CSA-C22.2 No. 250.7. Identified with the ETL and cETL Listed Mark.



Integrated LED Features:

- Wattage:** 4w - 11w
- Operating Voltage Range:** 10v - 14v
- Lumen Output:** 15lm to 900lm
- Beam Spread:** 120°
- CRI:** 80
- CCT Options:** Preset options for 2700K, 3000K, 4000K
- RGB Options:** Unlimited Color Wheel Options with quick preset options for Red, Green, Blue, Amber and Purple
- Dimming:** Dimming option available for every color choice
- Scenes:** Customizable scene options with up to 3 colors per scene