

FLOW STAR® WATER BONDED SKIMMER WITH FLUSH FACE, FLOAT ASSEMBLY, BASKET, LID AND ADJUSTABLE COLLAR



Built in conformance with NSF 50, SPS3, UL1081, UL1563 and CAN/CSA-C 22.2



FEATURES

Bonding plate and copper wire connection meet NEC section 680.2 C

Conforms to UL 1081, UL 1563, CAN/CSA-C22.2

Bonding plate is safely placed behind the skimmer basket, for constant water contact, even when the pump is off

Adjustable collar

New weir clip lock secures the clips in the weir door

Large self-contained basket with lock-in feature (will not float)

Underwater dampers on face plate for noise reduction on weir plate – especially on windy days

Super strong engineered polymer upper housing

Extra heavy duty PVC lower unit (no transitional glue required)

2½" outside slip and 2" inside slip (outside skimmer)

2" threads for pressure testing (inside skimmer)

Built-in overflow or fill line knock out

Upper housing has pre-cut rebar cut outs with pre-drilled holes for tie wire

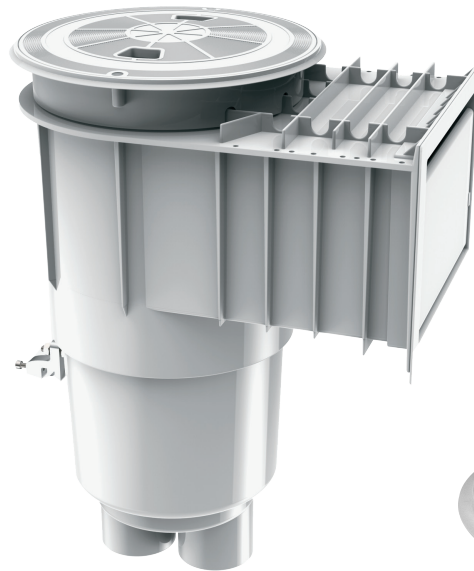
Skimmer Lid and Collar G154 UV tested

NSF 50 approved for commercial use, 25 GPM min, 55 GPM max – approved for residential use up to 100 GPM

Optional custom name/logo engraved on lid (requires minimum 500 piece lid order)

1 per case

NEW



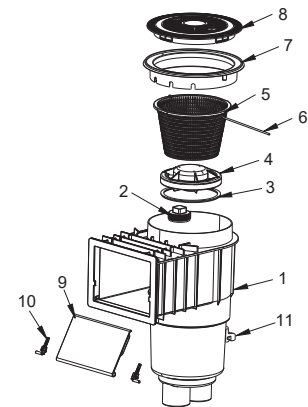
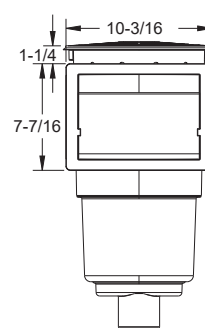
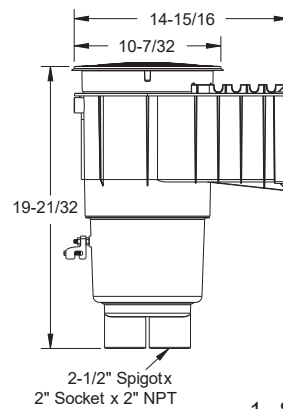
Optional vacuum plate with snap-in lug can be glued in under lid for easy storage p/n SK43101

Part # SKR17xxx

For additional port configurations, see page 93

STANDARD COLORS

- SKR17101 – White
- SKR17102 – Black
- SKR17103 – Light Gray
- SKR17104 – Blue
- SKR17105 – Dark Gray
- SKR17108 – Tan



- | | |
|-------------------|----------------------------|
| 1. Skimmer Body | 8. Lid |
| 2. 2" Port Plug | 9. Weir Door |
| 3. Gasket | 10. Weir Clip, Qty 2 |
| 4. Float Assembly | 11. Bonding Plate Assembly |
| 5. Basket | |
| 6. Basket Rod | |
| 7. Collar | |