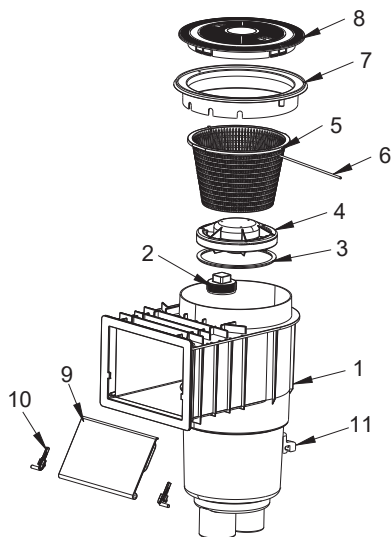




Flow Star® Water Bonded Skimmer Bonding Instructions

READ AND FOLLOW ALL ACCOMPANYING GENERAL INSTALLATION INSTRUCTIONS

The Flow Star Water Bonded Skimmer conforms to UL 1081, UL 1563, CAN/CSA-C22.2. The bonding plate and copper wire connector meets National Electric Code (NFPA 70 Article 680 section 680.2 (C) Pool Water). Bonding plate is safely placed behind the skimmer basket for constant water contact even when pump is off.



Assembly Breakdown

- | | |
|---------------------|----------------------------|
| 1. Skimmer Body | 7. Collar |
| 2. 2" NPT Port Plug | 8. Lid |
| 3. Gasket | 9. Weir Door |
| 4. Float Assembly | 10. Weir Door Clip |
| 5. Basket | 11. Bonding Plate Assembly |
| 6. Basket Rod | |

Bonding Instructions

1. The bonding plate assembly is installed and torqued to factory specifications.
2. Loosen set screw and insert solid copper conductor 8 AWG into bonding lug. Hold bonding lug securely while tightening set screw.
3. Attach other end of solid copper conductor to bonding grid in accordance with National Electric Code.

