

6" ROUND HOCKEY PUCK SUMPLESS SUCTION OUTLET COVER, HYDROAIR/ITT REPLACEMENT

VGB Series

The AquaStar line of suction outlet covers, compliant with the Virginia Graeme-Baker Pool and Spa Safety Act (ANSI/APSP 16-2011 and NSF/ANSI 50-2009a)

FEATURES

For single or multiple drain use in gunite, steel, fiberglass and tile pools and spas (see installation instructions)

Single – sumpless

Floor/wall (2" pipe): 224 GPM at 6.3 fps

Floor (1½" pipe): 177 GPM at 5.9 fps

Wall (1½" pipe): 122 GPM at 3.4 fps

Floor/wall: 53.3 GPM at 1.5 fps

Floor/wall: 35.5 GPM at 1.0 fps

10.4 square inch opening

Trademarked VGB compliance button easily identifies VGB 2008 compliant cover from on deck and underwater

#316 stainless steel screws

Manufactured from superior UV-resistant engineered polymers

All components meet or exceed ANSI/APSP 16-2011 and NSF/ANSI 50-2009a national standards and ASTM G154 UV testing exposure

See next page for eight adapter plates sold separately, available for sumpless connections to 1022s, 1.5" female adapters, 1.5" and 2" inside and outside slip and threads as well as existing HydroAir wall fittings #10-6015S and 10-6304S (both with brass inserts)

Replace every five years from the date of installation

25 per case

No sump required!



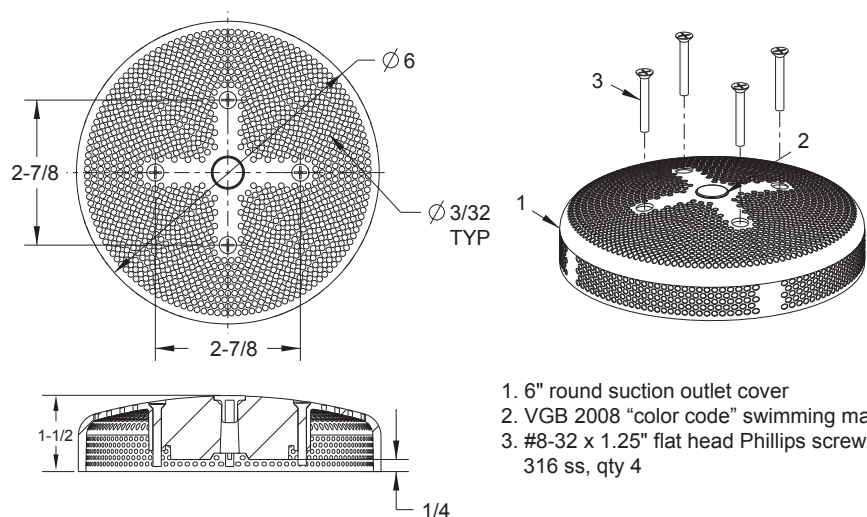
Part # 6HPxxx

STANDARD COLORS

- 6HPHA101 – White
- 6HPHA102 – Black
- 6HPHA103 – Light Gray
- 6HPHA104 – Blue
- 6HPHA105 – Dark Gray
- 6HPHA108 – Tan

Can replace MaxFlow covers used with p/n 6HA25T20Sxxx

VGB 2008 Compliant



1. 6" round suction outlet cover
2. VGB 2008 "color code" swimming man
3. #8-32 x 1.25" flat head Phillips screw, 316 ss, qty 4

Retrofits to Sta-Rite/Pentair #8011 and AquaStar #4RNDxxx equalizer

ADDITIONAL PRODUCT CONFIGURATIONS FOR 6HPHAXXX (sold separately) 25/case

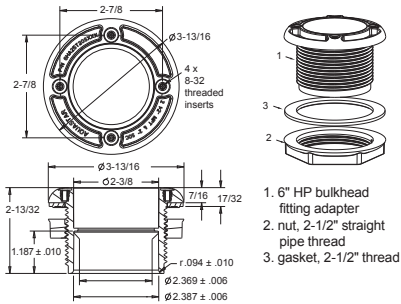
STANDARD COLORS 101 102 103 104 105 108

Code Key: 6 = for 6HPHAXXX xxx = color 15 = 1 1/2", 20 = 2" Soc. = socket, slip SI = Slip Insider
 HP = "hockey puck" (i.e. 101 = white) 25 = 2 1/2" Spg. = spigot, slip T = Thread

6" Bulkhead Adapter with 2 1/2" Thread and 2" Socket for Fiberglass/Steel, with Gasket and 2 1/2" Locking Nut (sold separately)



Part #
6HA25T20Sxxx

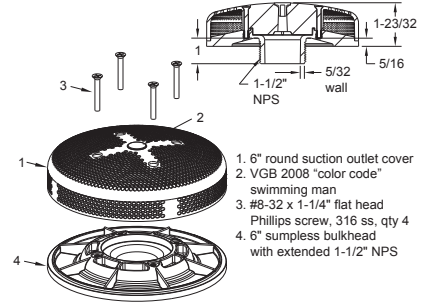


6" Bulkhead Adapter with Extended 1 1/2" Threaded Sumpless Fitting (sold separately)

Use with flush mount 1 1/2" FPT, does not fit 1022 female adapters



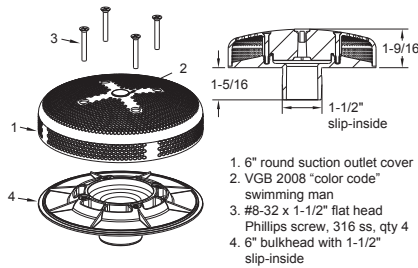
Part #
6E15Txxx



6" Bulkhead Adapter with 1 1/2" Slip-Insider Sumpless Fitting (sold separately)



Part #
615Sxxx

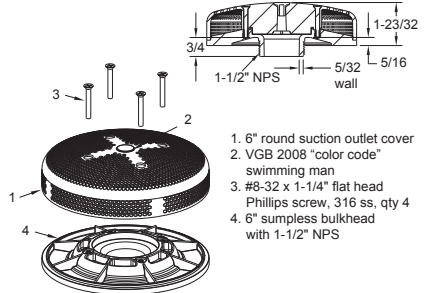


6" Bulkhead Adapter with 1 1/2" Threaded Sumpless Fitting (sold separately)

Fits 1022 female adapters



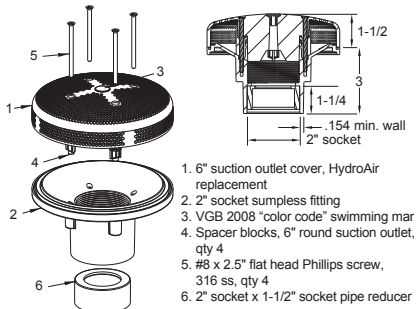
Part #
615Txxx



6" Bulkhead Adapter with 2" Socket Sumpless Fitting (sold separately)



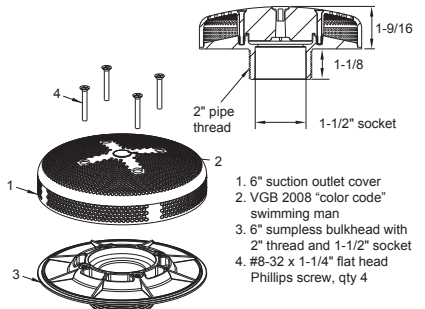
Part #
RNDxxx



6" Bulkhead Adapter with 2" Threaded x 1 1/2" Socket Sumpless Fitting (sold separately)



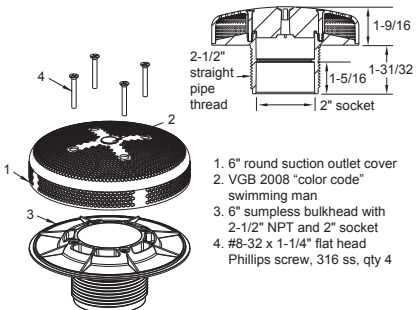
Part #
620T15Sxxx



6" Bulkhead Adapter with 2 1/2" Threaded x 2" Socket Sumpless Fitting (sold separately)



Part #
625T20Sxxx



6" Bulkhead Adapter with 2" Slip-Insider Sumpless Fitting (sold separately)

Also available as 1 1/2" slip Insider p/n 615SIxxx



Part #
620SIxxx

