

1/2" EXTENDER WITH PLASTER CAP AND THREE-PIECE DECORATIVE COVER

FEATURES

Screws into 1 1/2" FPT

Removable plaster cap prevents slurry from entering pipes during pool finish, keeps threads clean

Great for old 1022 fitting remodels, adds 1/2" for new finish

Eliminates the need for costly removal of old fittings (just screw in)

Stack more than one for longer extension

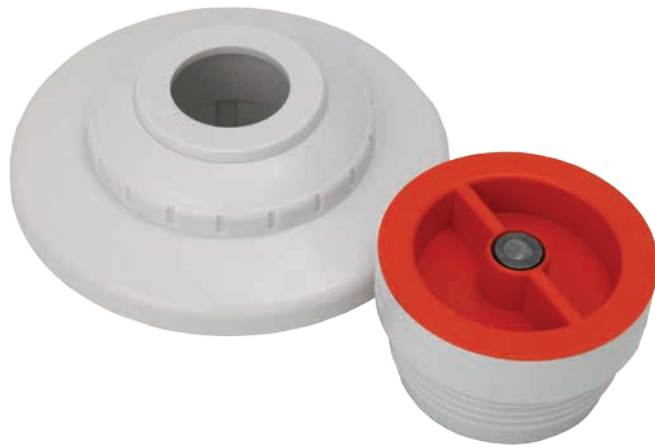
Large flange camouflages pipe and surface construction variations

Eyeball available in four orifice sizes (1", 3/4", 1/2", slotted)

Manufactured from UV-resistant ABS material

125 per case

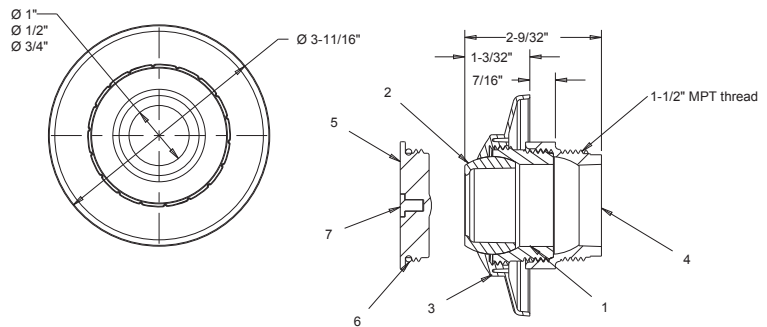
Add'l orifice size suffix:
3/4"-B, 1/2"-C, slotted-D
(i.e. MP101B = 3/4" orifice)



Part # MPxxx

STANDARD COLORS

101	104
102	105
103	108



1. 1-1/2" MPT to eyeball body
2. 100 series eyeball, 1" orifice
3. Decorative cover eyeball locking ring
4. 1/2" extender body

5. Umbrella stand, cap
6. O-ring, float seal
7. Metal cap insert