

LITE STAR® WITH ADJUSTABLE ANGLE POOL AND SPA LED LIGHT



20 Degrees of adjustment for any pool depth



FEATURES

The angle of the light can be adjusted up to 20 degrees

Adjustable to reduce surface glare and optimize lighting for any depth pool

Bright and efficient low voltage LED light

Lasts 10 times longer than traditional incandescent or halogen pool lights

Low voltage LED lighting uses a fraction of the power of a traditional incandescent or halogen pool light

UV resistant niche and plaster with integrated water stop, multiple conduit ports, and pre-drilled wire tie holes

Long lasting light is easy to replace with quick-connect plug. The plug includes a connection shield to protect during construction

Unique openings allow for water from the pool to help keep the light cool. Light automatically dims to maintain proper temperature

Available with blue or white LEDs

Adjustable collar included

Blue and white light: 12V/9W
RGBW light: 12V/17W

NOTE: All stainless steel face plate assemblies will come with a housing with a bonding connection

1 per case

U.S. Patents www.aquastarpoolproducts.com/patents

STANDARD FACE PLATE COLORS

- LS101-BLUE – White
- LS102-BLUE – Light Gray
- LS103-BLUE – Dark Gray
- LS133-BLUE – Stainless Steel

STANDARD FACE PLATE COLORS

- LS101-WHITE – White
- LS102-WHITE – Light Gray
- LS103-WHITE – Dark Gray
- LS133-WHITE – Stainless Steel

STANDARD FACE PLATE COLORS

- LS101-MULTI – White
- LS102-MULTI – Light Gray
- LS103-MULTI – Dark Gray
- LS133-MULTI – Stainless Steel

New Construction Housing Niche and Light



Part # LS1xx-BLUE (Blue Light)

Part # LS1xx-WHITE (White Light)

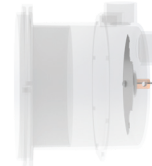
Part # LS1xx-MULTI (RGBW Light)



Adjustable Tilt
Adjustable angle up to 20 degrees.



Quick-Connect Cord
(Sold separately)
For simple installation and replacement.



Bonding Plate

Bonding plate and copper wire connection meet NEC section 680.2 C. Conforms to UL 1081, UL 1563, CAN/CSA-C22.2



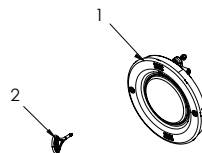
Bond Connection

Comes with lights with stainless steel face plates. Copper wire connection meet NEC section 680.2 C.

Add -BP for a housing with a bonding plate (e.g., LS101-MULTI-BP)

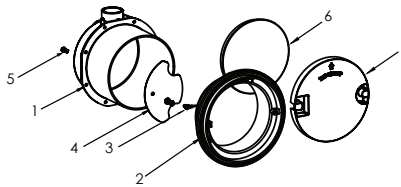
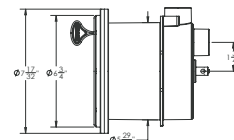
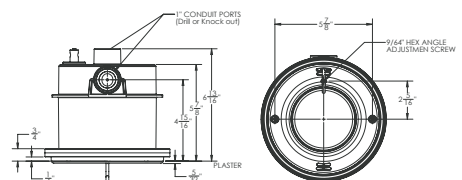
Add R for a replacement light without housing (e.g., LSR1xx-MULTI)

Lite Star Light Comes with all assemblies



1. Light Star Light
2. Adjust-A-Beam Tool

Replacement Light: Available as LSR1xx-BLUE, LSR1xx-WHITE, and LSR1xx-MULTI. Includes only the light and Adjust-A-Beam Tool. No housing or additional components.



1. Light Housing
2. Adjustable Plaster Ring, W/Bonding Wire
3. Bonding Connection (Comes with Stainless Steel Faceplate only)
4. Bonding Plate (Comes with Bonding Option Only)
5. Bonding Lug (Comes with Bonding Option and Stainless Steel Faceplate Only)
6. Housing Gunite Shield
7. Plaster Ring Shield

LITE STAR® LIGHT CORD ASSEMBLY



Waterproof durable and reliable cord assembly



FEATURES

For simple installation and replacement

Waterproof connection

Includes protective cap

Compatible with all LiteStar® models

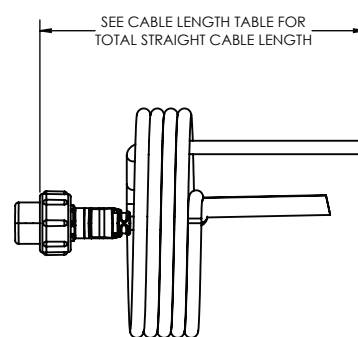
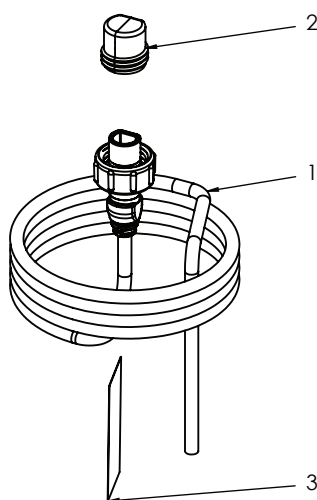
1 per case



Part # LSA14-050 (50 feet)

Part # LSA14-100 (100 feet)

Part # LSA14-150 (150 feet)



1. Cable Connector Assembly
2. Protective Cap
3. Cord Label