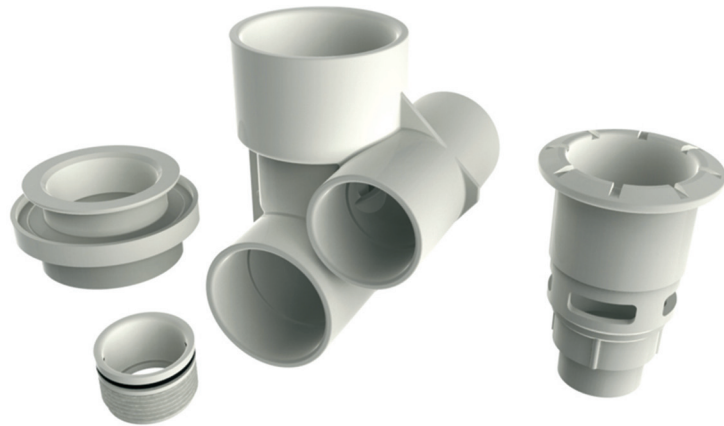


AQUATHUNDER® THERAPEUTIC SPA JET

2½" GUNITE JET BODY ASSEMBLY

FEATURES

- 2" socket (water) x 1½" socket (air)
- New WaterStop included on Jet Niche
- Wide range of plumbing options
- Compatible with gunite finishes
- Wide variety of nozzle configurations
- Easily interchangeable jet styles
- 1" and 2½" pipes not included



U.S. patents pending

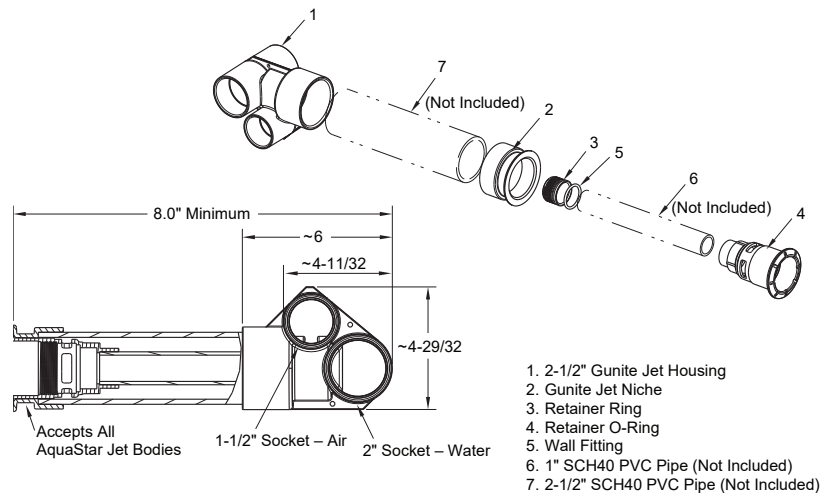
Part # ATGxxx

STANDARD COLORS

- ATG101 – White
- ATG102 – Black
- ATG103 – Light Gray
- ATG105 – Dark Gray

Also available without niche
p/n ATG2xx

Jet housing only available in white



STANDARD COLORS



101



102



103



105

AquaThunder 2½" Gunite Jet Housing

FEATURES

2" socket (water), ½" socket (air)

Separate water and air tubes

Made from PVC

White only



Part # AT127101

AquaThunder Gunite Jet Niche

FEATURES

Connects to the 2½" Gunite Jet Housing by
2½" PVC schedule 40 pipe (pipe not included)

Made from PVC

U.S. patent pending



Part # AT128xxx

AquaThunder Retainer Ring

FEATURES

Fits the AT127 housing

Threaded design screws into 2½" Gunite Jet Housing

Made from PVC



Part # AT129xxx

AquaThunder Wall Fitting

FEATURES

Fits in the AT128 Gunite Jet Niche

Connects to retainer ring by 1" PVC schedule 40 pipe
(pipe not included)

Made from PVC



Part # AT130xxx