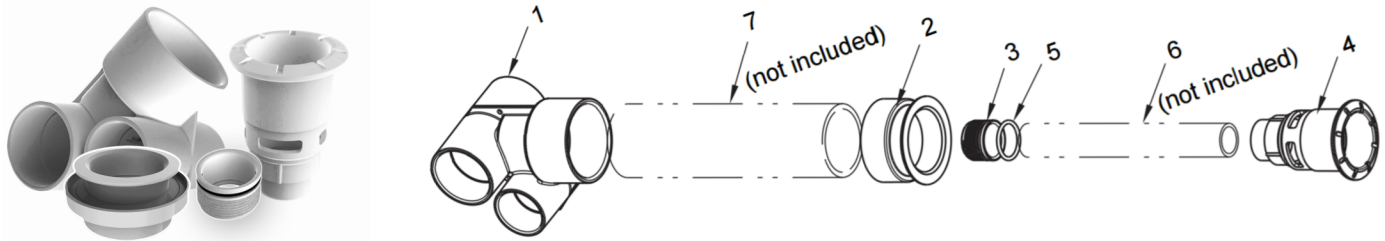


# 2 1/2" AQUATHUNDER® GUNITE JETS

## AquaThunder Jet Body Assembly Overview

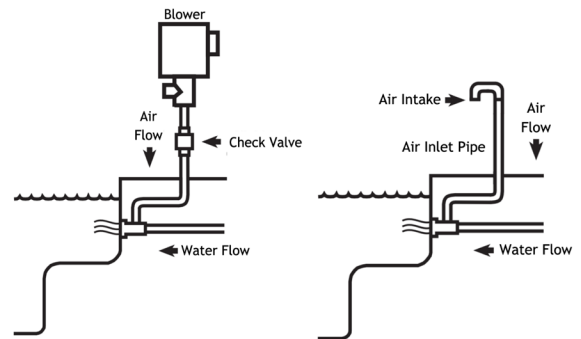
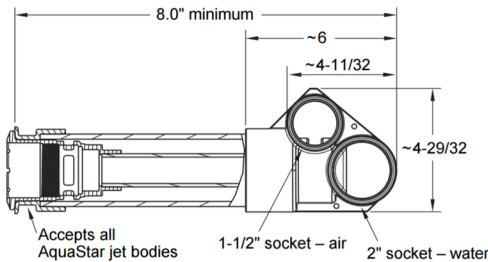
*Aqua Thunder Jet Housing Assembly with WaterStop Technology*



**Contents:**

1. AquaThunder 2 1/2" Gunite Jet Housing, AT127101
2. AquaThunder Jet Housing with Water Stop, AT128xxx
3. AquaThunder Retainer Ring, AT129xxx
4. AquaThunder Wall Fitting, AT130xxx
5. AquaThunder Retainer O-Ring, AT129xxx
6. 1" PVC Pipe, Not Included
7. 2 1/2" PVC Pipe, Not Included

**WARNING:** To prevent personal injury, shock, or property/equipment damage a check valve must be installed on the blower pipe in case of a water backup in the air line. If a blower is not being used direct the air intake toward the ground.



## WaveJet® Barrel Overview

All WaveJets include an adjustable flange for easy water flow adjustment. For unique style and comfort try WaveJets with our durable rubber over-mold adjustable flange. WaveJet barrels are interchangeable with most popular brands.

**Lite Therapy** - 9 GPM    **Medium Therapy** - 12 GPM    **Hard Therapy** - 19 GPM

Please Note: Jet may not function properly when flow is less than 5 GPM or more than 23 GPM



**Single Adjustable**  
Plastic- ATBxxx  
Rubber- ATBxxxxA-7



**Therapeutic Spinner**  
Plastic- ATBTSxxx  
Rubber- ATBTSxxxxA-7



**Single Rotational**  
Plastic- ATGB3xx  
Rubber- ATGB3xxxxA-7



**Double Rotational**  
Plastic- ATGB4xx  
Rubber- ATGB4xxxxA-7

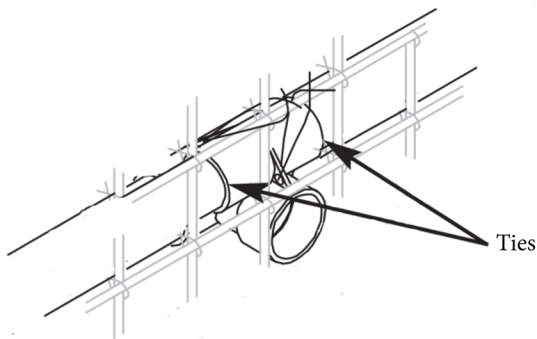


**Massage Barrel**  
Plastic- ATGB5xx  
Rubber- ATGB5xxxxA-7

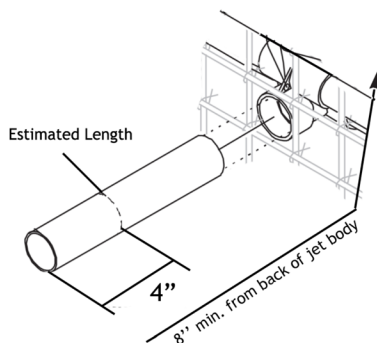
# 2 1/2" AQUATHUNDER® GUNITE JETS

## Installation and Pressure Testing Instructions

**1.** Hang AquaThunder Gunite Jet Housing with ties through predrilled tie holes onto the steel rebar.



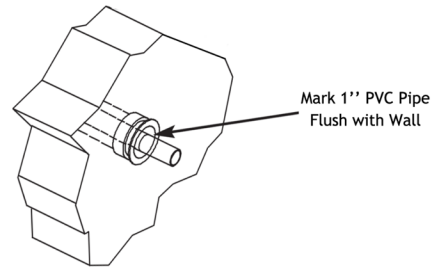
**2.** Estimate length of 2 1/2" PVC pipe by the thickness of the wall. Cut 2 1/2" PVC pipe at least 4" longer than the estimate, and always provide a minimum of 8" of pipe from the back of the jet body. Glue the 2 1/2" PVC pipe to the AquaThunder Gunite Jet Housing.



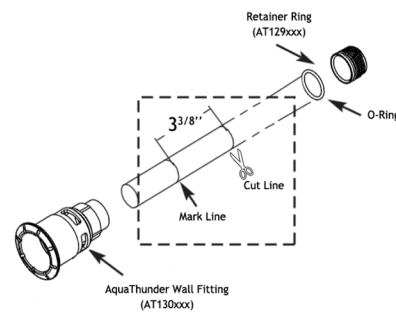
**3.** For pressure testing, glue a 2 1/2" cap onto end of pipe. Ensure there are no leaks. The fitting is now ready for gunite.

**4.** Shortly after pool gunite is applied, scoop around the pipe. Before plastering, cut the 2 1/2" PVC and glue the AquaThunder Gunite Jet Niche, AT128xxx, onto the pipe so that the face is flush with the wall. Cover niche with tape, then plaster over niche.

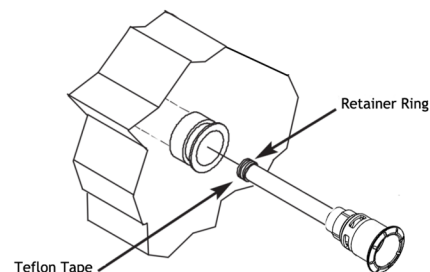
**5.** Make a mark on the 1" PVC pipe flush or even with the end of the 2 1/2" pipe.



**6.** Unscrew 1" PVC pipe from body and cut 3 3/8" inward from the mark towards AquaThunder Retainer Ring, AT129xxx, then glue wallfitting to 1" PVC pipe.



**7.** Wrap Teflon tape on the retainer ring if necessary and thread the 1" PVC pipe back into the body, making sure of a snug fit.



**8.** Install AquaThunder jet by placing it inside the wall fitting and turning clockwise, hand tightening. When tight, turn counterclockwise to adjust the water flow.