

 Spa Electrics®



# TITAN



**TITAN LIGHT  
CONCRETE INSTALL**

# TIC

**INSTALLATION & OWNER'S MANUAL**

# CONTENTS

|                               |                                |
|-------------------------------|--------------------------------|
| READ THIS FIRST               | 3                              |
| TOOLS REQUIRED                | 4                              |
| PRODUCT SUPPORT & INFORMATION | 4                              |
| INCLUDED PARTS                | 5                              |
| FINISHED INSTALLATION         | 6                              |
| INSTALLATION                  | A: NICHE, MOUNT RING & CABLE 9 |
|                               | B: LIGHT ASSEMBLY 17           |
| LIGHT REMOVAL                 | 23                             |
| KEY DIMENSIONS                | 27                             |
| TROUBLESHOOTING               | 29                             |

## NOTICE



**FRESH WATER USE ONLY  
HORIZONTAL MOUNT ONLY  
NOT INTENDED FOR OPERATION OUT OF WATER**

**FOR SUPPLY CONNECTION, USE ONLY AN ISOLATING LOW VOLTAGE POWER  
SUPPLY WITH UNGROUNDED OUTPUT, EVALUATED FOR SWIMMING POOL USE**

# READ THIS FIRST

This document details the general and installation information for the Spa Electrics **Titan TI** Series underwater lighting system. All **Titan** lights are manufactured by Spa Electrics in Australia from only the highest quality materials. For more information about Spa Electrics & our products, please visit [www.spaelectrics.com.au](http://www.spaelectrics.com.au)

**For safe and proper installation, please read this manual in full before commencing installation and use only the parts (screws, plugs, sealant etc) as provided.**

**For operating instructions, please refer to the MULTI PLUS Installation & User Guide.**

## **BEFORE YOU START:**

- Ensure that the lighting system is installed by a qualified person (e.g. registered pool builder and/or licensed electrician), in accordance with most current edition and/or amendment of AS/NZS 3000:2007 standards.
- Maximum installation depth for the **Titan TI** light is **400mm** below water line (to top of light).
- All lights should be mounted in a location that is easily accessible without the need for entering or lowering the pool water.

## **CLEANING:**

- Only use warm water and a soft brush or cloth to clean **Titan TI** lights. **DO NOT** use detergents or spirits as this can damage the light and void your warranty.

## **USE OF PRODUCT:**

- **DO NOT** operate light unless completely submerged in water.
- Operating the light for at least 15 minutes every week is advised (unless removed and stored safely for winter months).
- **Titan TI** lights are suited for both domestic and commercial installations and can be operated continuously (24/7) if required.
- Temperature range for installation, operation and servicing: 0°C ~ +40°C

## **IMPORTANT**



**A 12V AC TRANSFORMER MUST BE INSTALLED.**  
**DC POWER SUPPLIES ARE NOT COMPATIBLE.**

## IMPORTANT NOTE



- The **Titan TI Series** light must only be powered by a 12V AC iron core type transformer.
- DO NOT use electronic or switch-mode transformers with **Titan TI Series** lights. These transformers will damage the light and void your product warranty.
- Pool chemicals & pH levels: Due to the corrosive nature of unbalanced pool chemicals, Spa Electrics strongly recommends that your pool water is balanced prior to installing your pool lights or any plastic or stainless-steel components and tested weekly to maintain these levels. pH level should be maintained between 7.2 – 7.6 at all times to ensure the longevity of these components.
  - Failure to do so can result in chemical damage to the light housing and pool fittings, including stainless steel components
  - Please note: Lights or components found to have excessive chemical damage will not be covered under our manufacturer's warranty policy
- This light contains no user-serviceable parts; opening the light will void the product warranty.
- The use of power tools during installation is **not** recommended as these devices can cause faults and damage to light components.
- All installation steps should be carried out with manual tools only.
- The enclosed images are for illustrative purposes only. Appearances of parts and assemblies may vary from the enclosed illustrations.

**If you are unsure, please contact Spa Electrics**

## TOOLS REQUIRED

✓ Draw wire

✓ PVC Cement For Non-Pressure Pipes

## PRODUCT SUPPORT & INFORMATION

Phone: +61 03 9793 2299 (business hours)

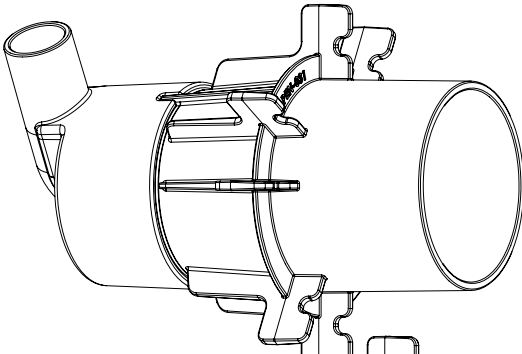
Email: [info@spaelectrics.com.au](mailto:info@spaelectrics.com.au) (SALES enquiries)

Email: [tech@spaelectrics.com.au](mailto:tech@spaelectrics.com.au) (TECHNICAL support enquiries)

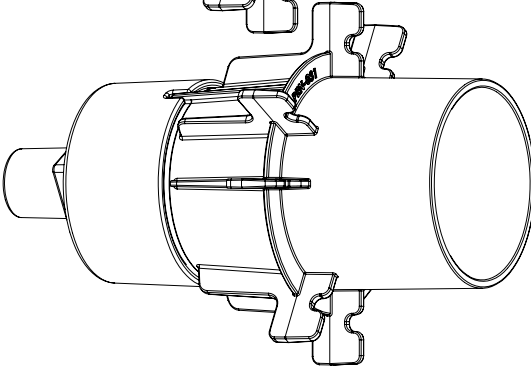
Web: [www.spaelectrics.com.au](http://www.spaelectrics.com.au)

# INCLUDED PARTS

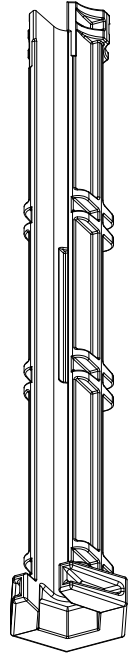
**CONCRETE NICHE - One (1) of either Rear Entry OR Top Entry**



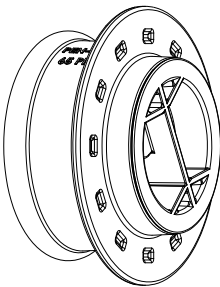
**CONCRETE NICHE  
TOP ENTRY**  
(P/N: TIC 008T)



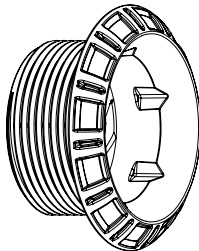
**CONCRETE NICHE  
REAR ENTRY**  
(P/N: TIC 008R)



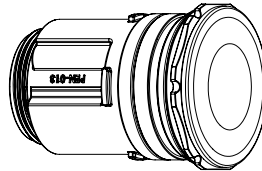
**NICHE NUT TOOL**  
(P/N: TI 018)



**CONCRETE MOUNTING RING**  
with CAP attached  
(P/N: TIC 009)



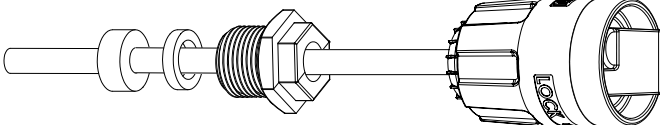
**LOCKING RIM**  
(P/N: TIC 004)



**LIGHT ASSEMBLY**



**LIGHT INSTALLATION  
TOOL**  
(P/N: TI 016)



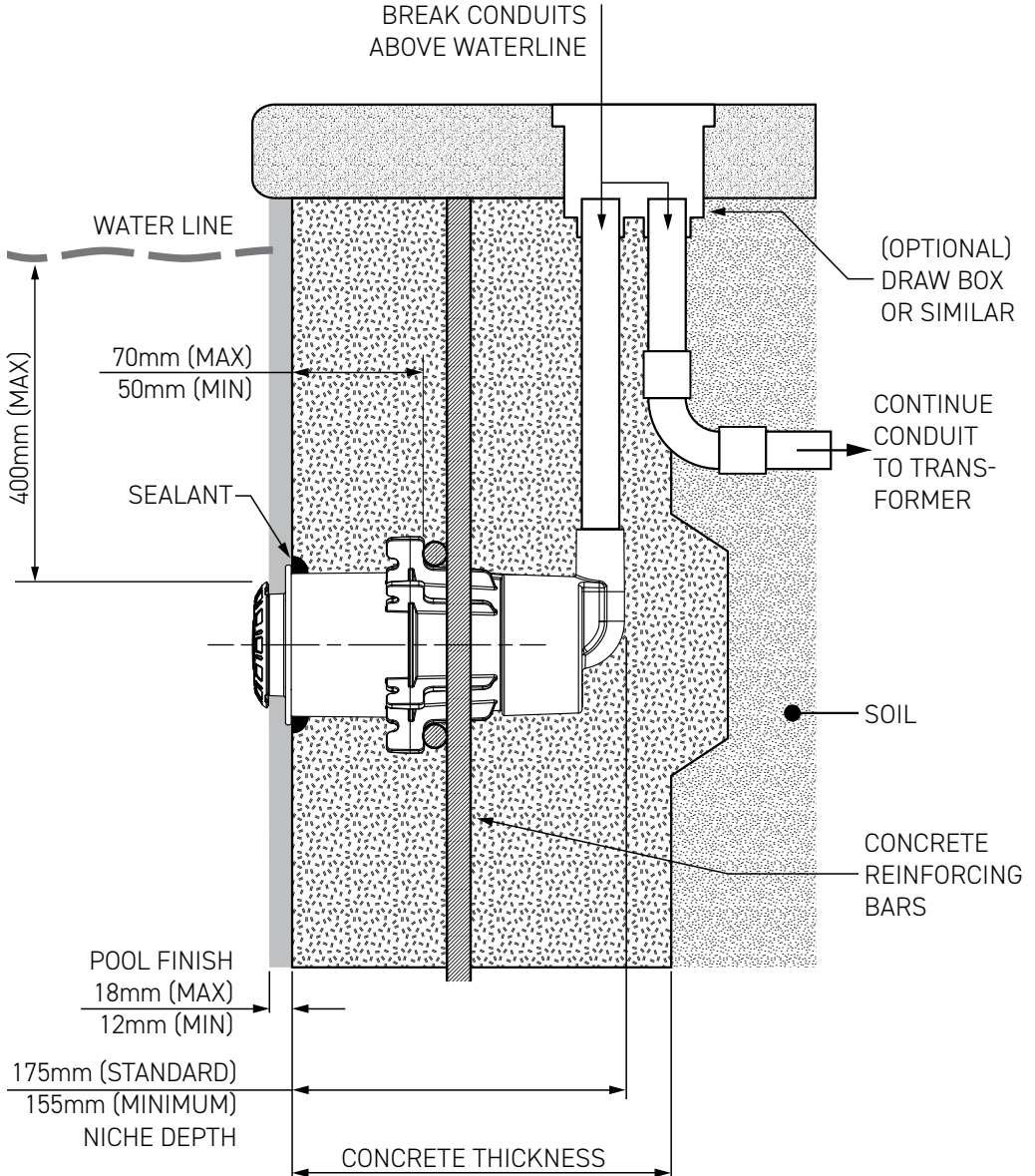
**CABLE GLAND SET**  
GROMMET, WASHER, NUT

**PLUG ASSEMBLY**  
with PLUG COVER attached

# FINISHED INSTALLATION

## A

## TOP ENTRY NICHE - WALL MOUNTING



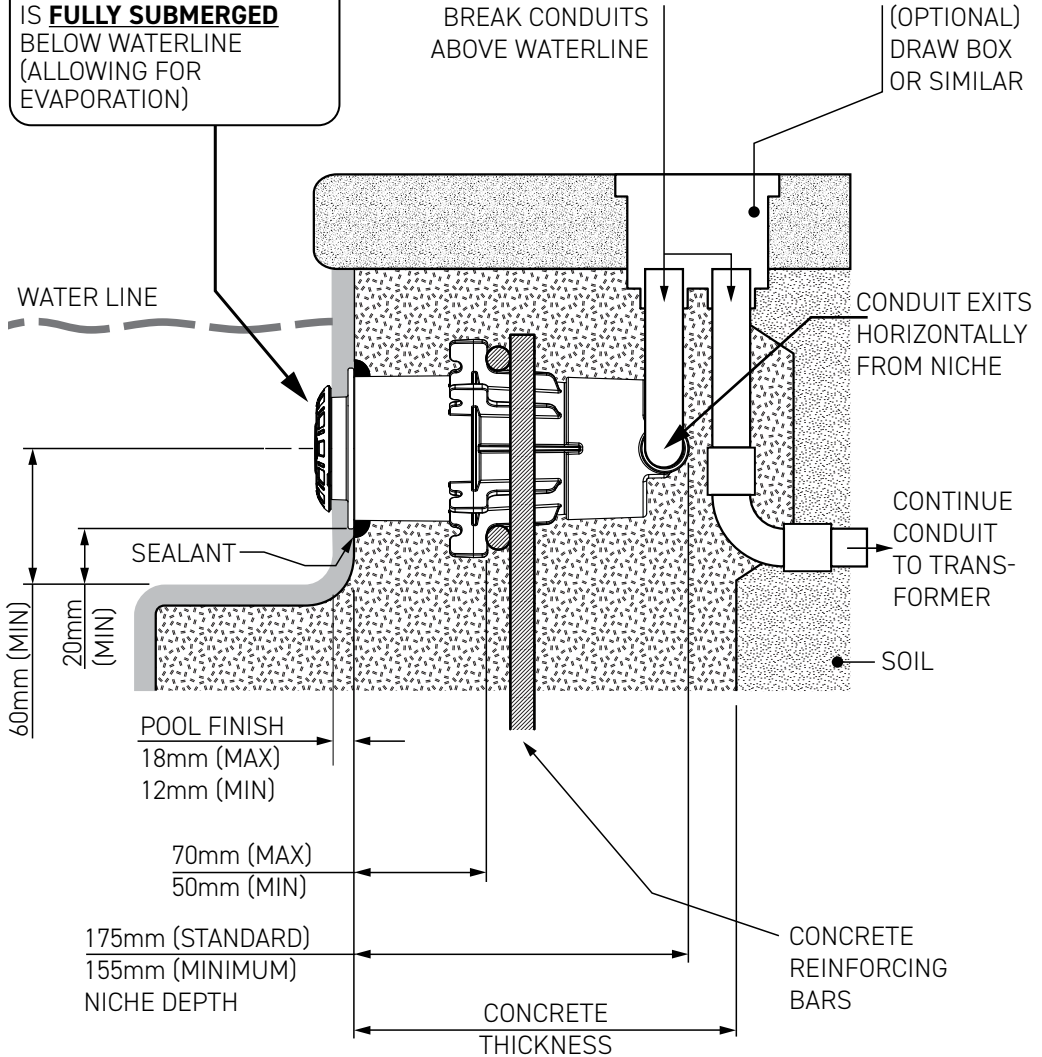
# B

## TOP ENTRY NICHE - STEP MOUNTING

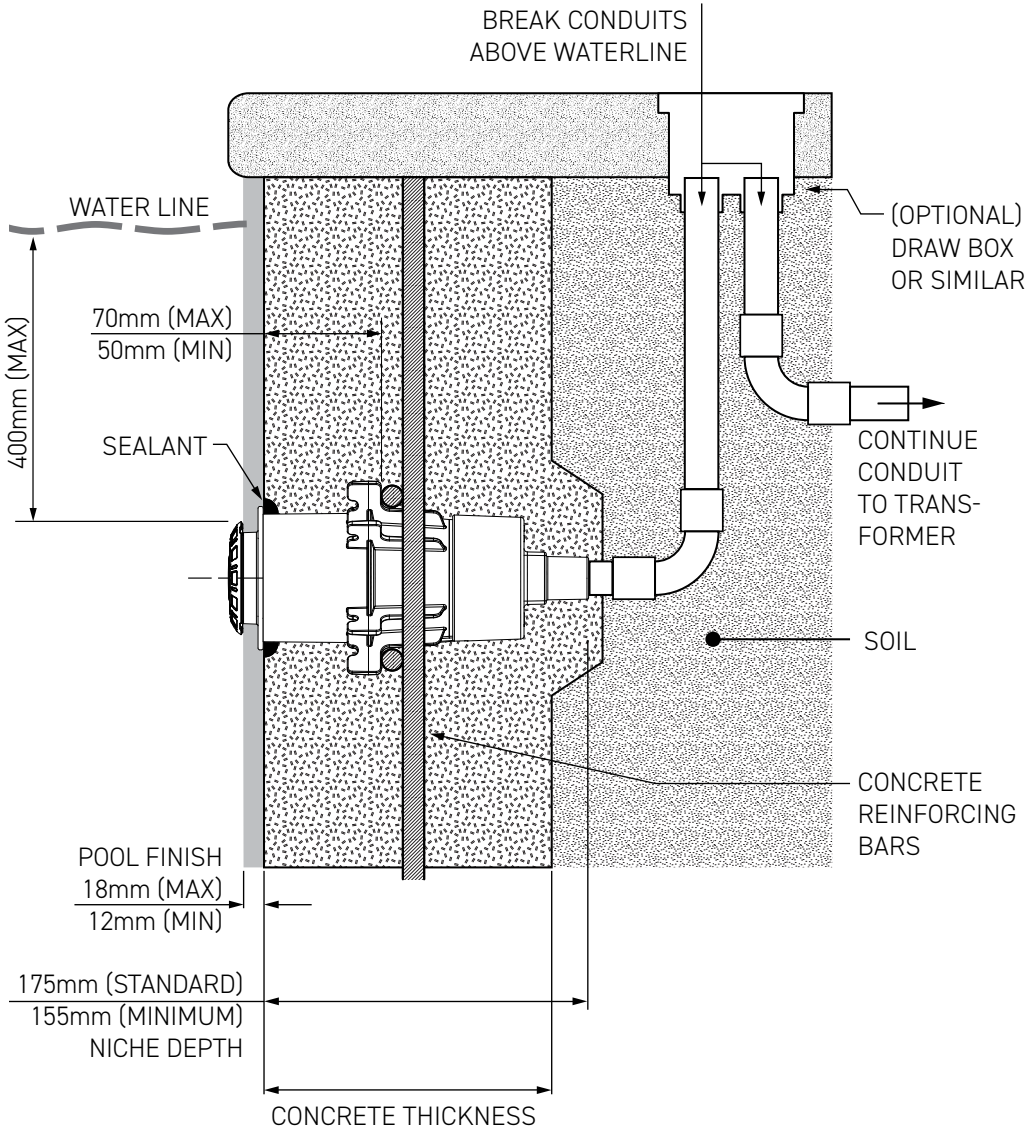
### NOTE



ENSURE INSTALLED LIGHT IS **FULLY SUBMERGED** BELOW WATERLINE (ALLOWING FOR EVAPORATION)



POOL CROSS SECTION SHOWN FOR REFERENCE ONLY

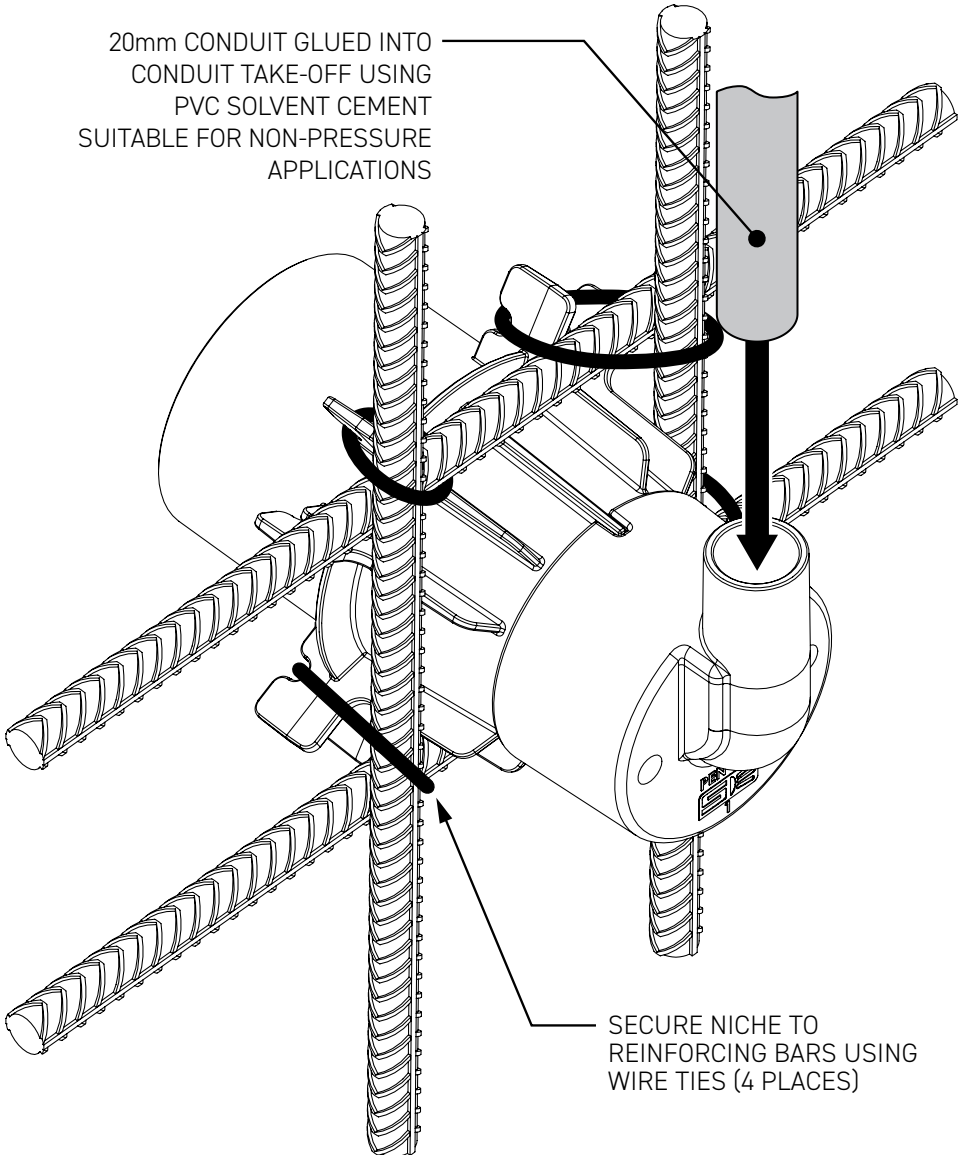
**C****REAR ENTRY NICHE MOUNTING**

**POOL CROSS SECTION SHOWN FOR REFERENCE ONLY**

# A: NICHE, MOUNTING RING & CABLE

## 1A VERTICAL CONDUIT INSTALLATION

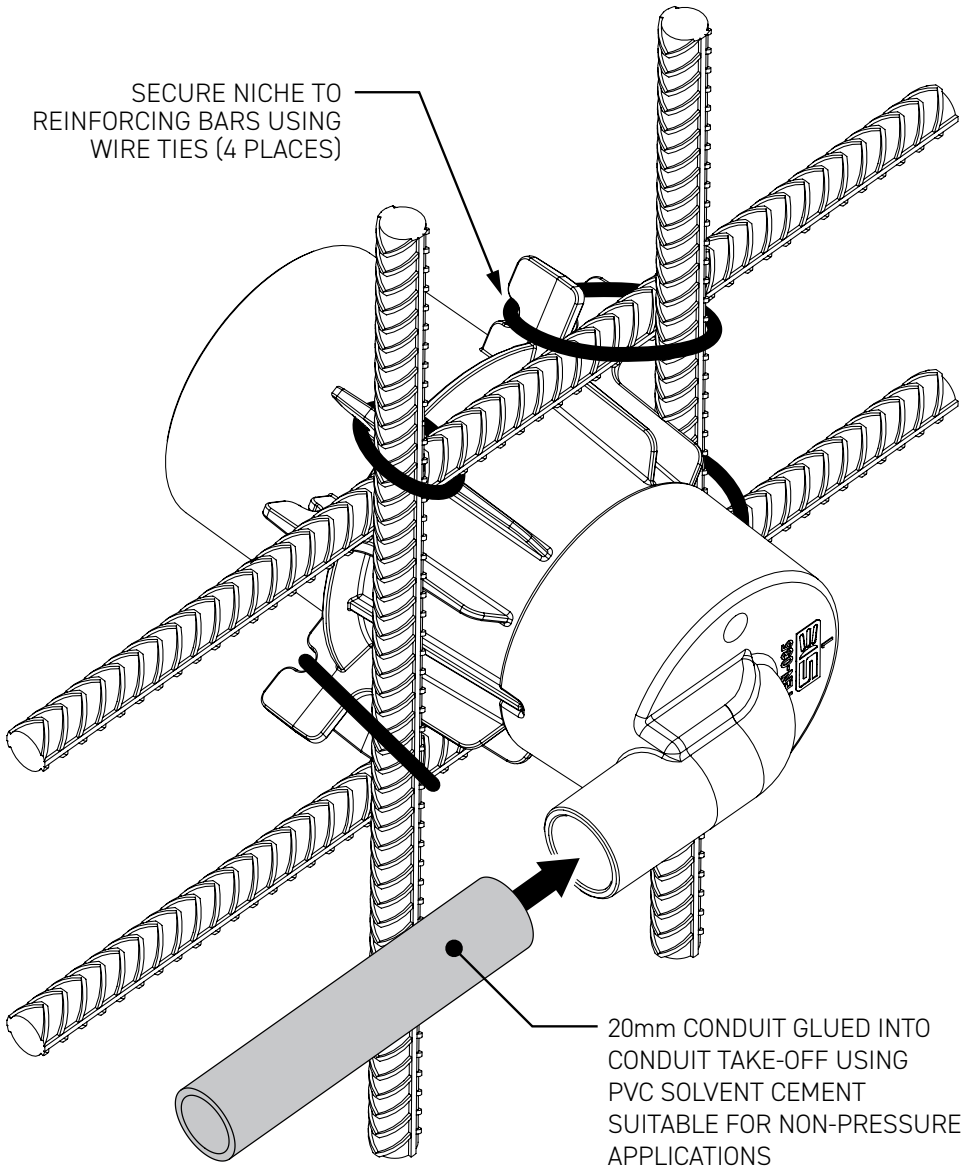
20mm CONDUIT GLUED INTO  
CONDUIT TAKE-OFF USING  
PVC SOLVENT CEMENT  
SUITABLE FOR NON-PRESSURE  
APPLICATIONS



SECURE NICHE TO  
REINFORCING BARS USING  
WIRE TIES (4 PLACES)

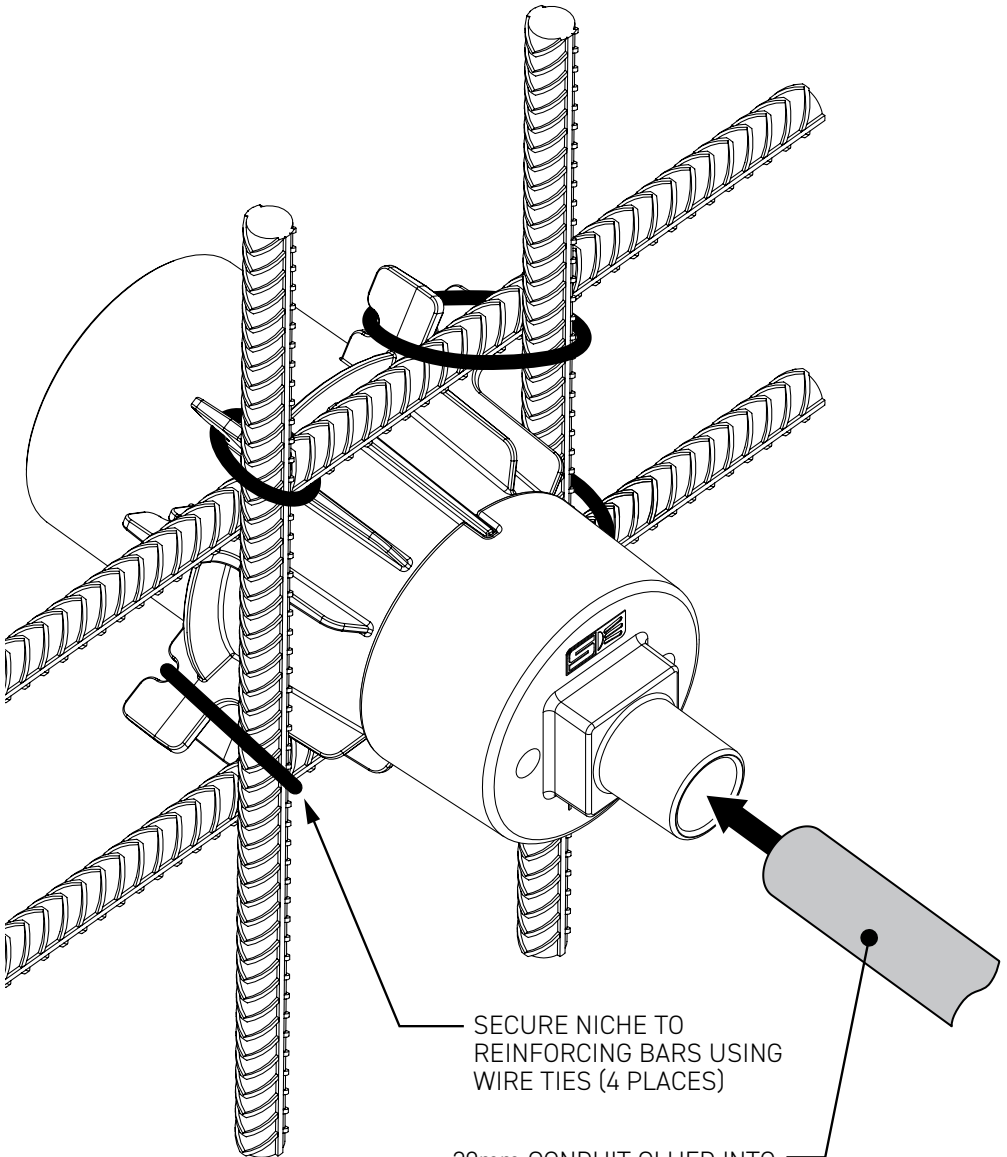
# 1B

## HORIZONTAL CONDUIT INSTALLATION



# 1C

## REAR ENTRY CONDUIT INSTALLATION




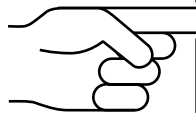
SECURE NICHE TO  
REINFORCING BARS USING  
WIRE TIES (4 PLACES)

20mm CONDUIT GLUED INTO  
CONDUIT TAKE-OFF USING  
PVC SOLVENT CEMENT  
SUITABLE FOR NON-PRESSURE  
APPLICATIONS

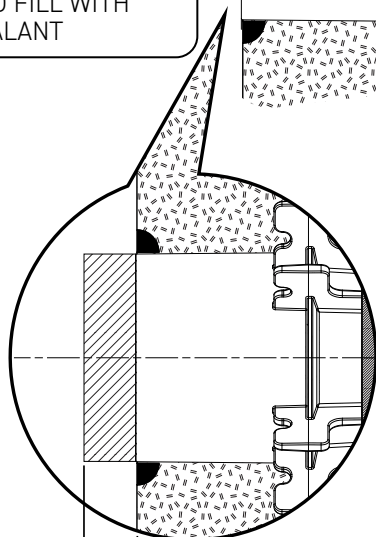
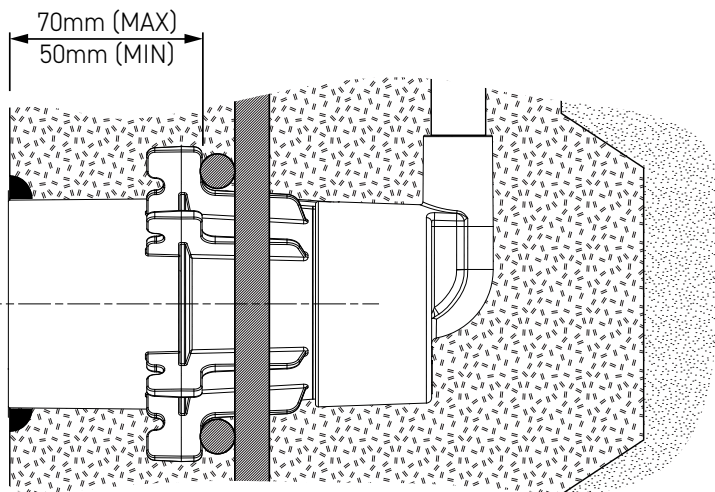
# 2

## NICHE & CONCRETE DETAILS

**NOTE** 



SCALLOP  
CONCRETE AROUND  
NICHE PERIMETER  
AND FILL WITH  
SEALANT



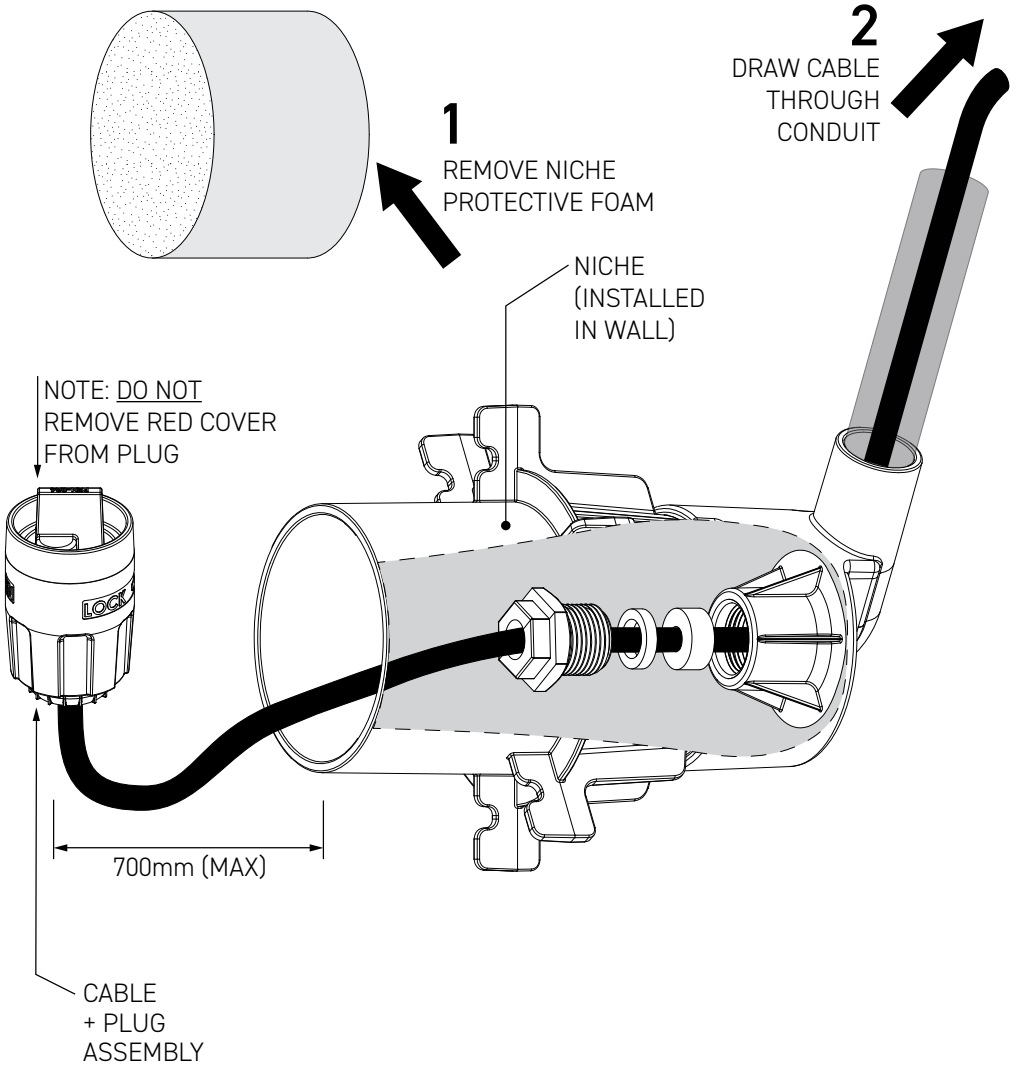
20mm  
(MAX)

**NICHE PROTRUDING?**

NICHE CAN BE TRIMMED  
A MAXIMUM OF 20mm  
IF IT PROTRUDES  
FORWARD OF FINISHED  
CONCRETE SURFACE

# 3

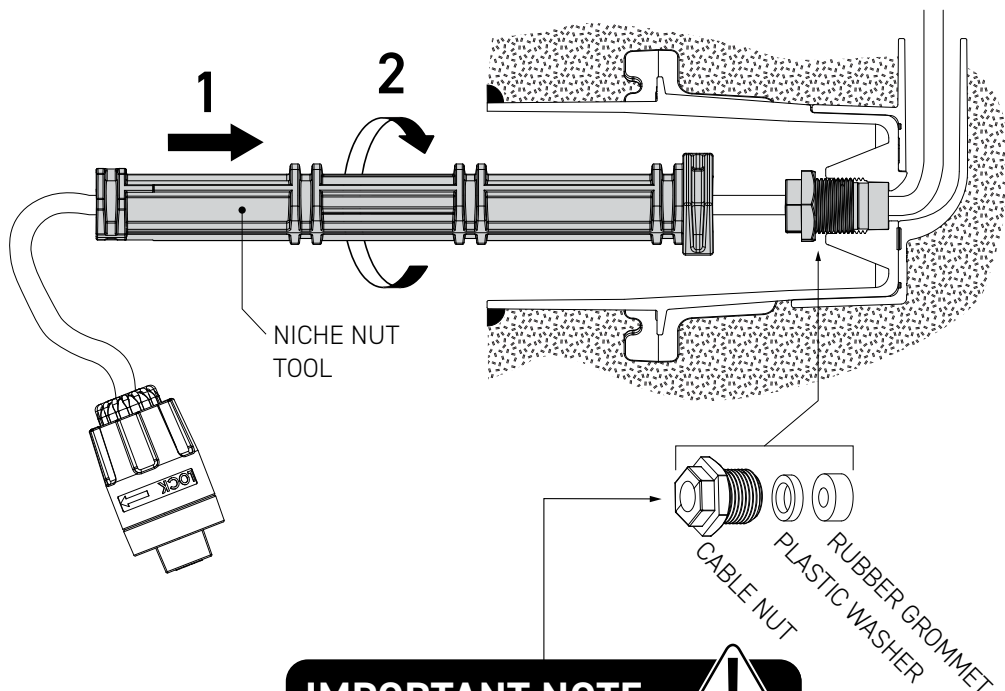
## INSTALL CABLE & PLUG INTO NICHE



### 3

## INSTALL CABLE & PLUG INTO NICHE ...CONTINUED

1. FEED THE **NICHE NUT TOOL** OVER THE CABLE AND ONTO THE CABLE NUT.
2. TURN THE **CABLE NUT** CLOCKWISE UNTIL FIRMLY TIGHT, USING ONLY THE PROVIDED **NICHE NUT TOOL**.



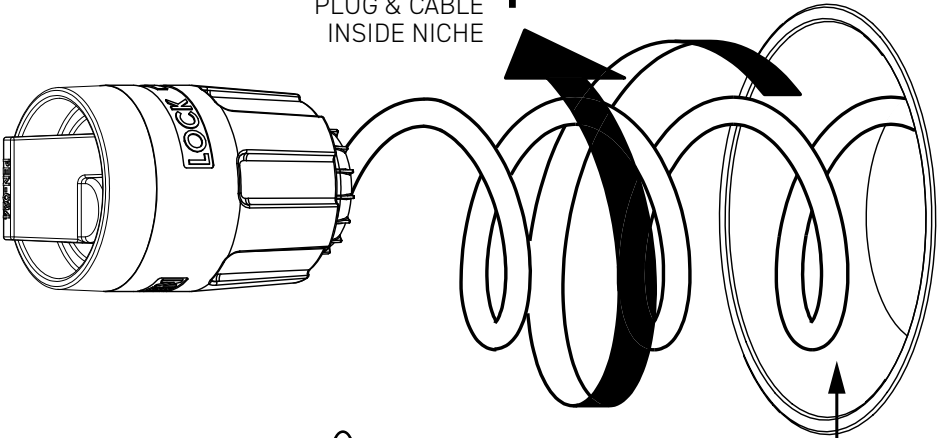
### IMPORTANT NOTE

ENSURE CABLE GROMMET IS ASSEMBLED AS SHOWN.

# 4

## INSTALL MOUNTING RING INTO NICHE

1  
MANUALLY COIL  
PLUG & CABLE  
INSIDE NICHE

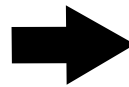
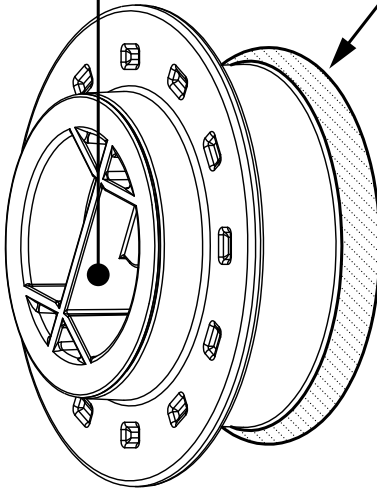


### NOTE

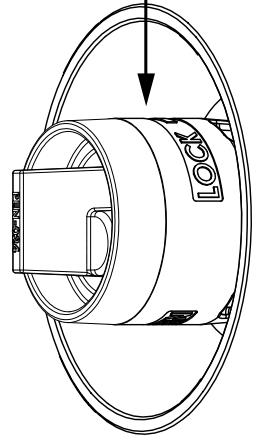


ENSURE PROTECTIVE CAP  
REMAINS IN MOUNTING RING  
(UNTIL LIGHT ASSEMBLY)

2  
APPLY PVC  
SOLVENT CEMENT  
TO MOUNTING RING



3  
FIRMLY PUSH  
MOUNTING RING  
INTO NICHE



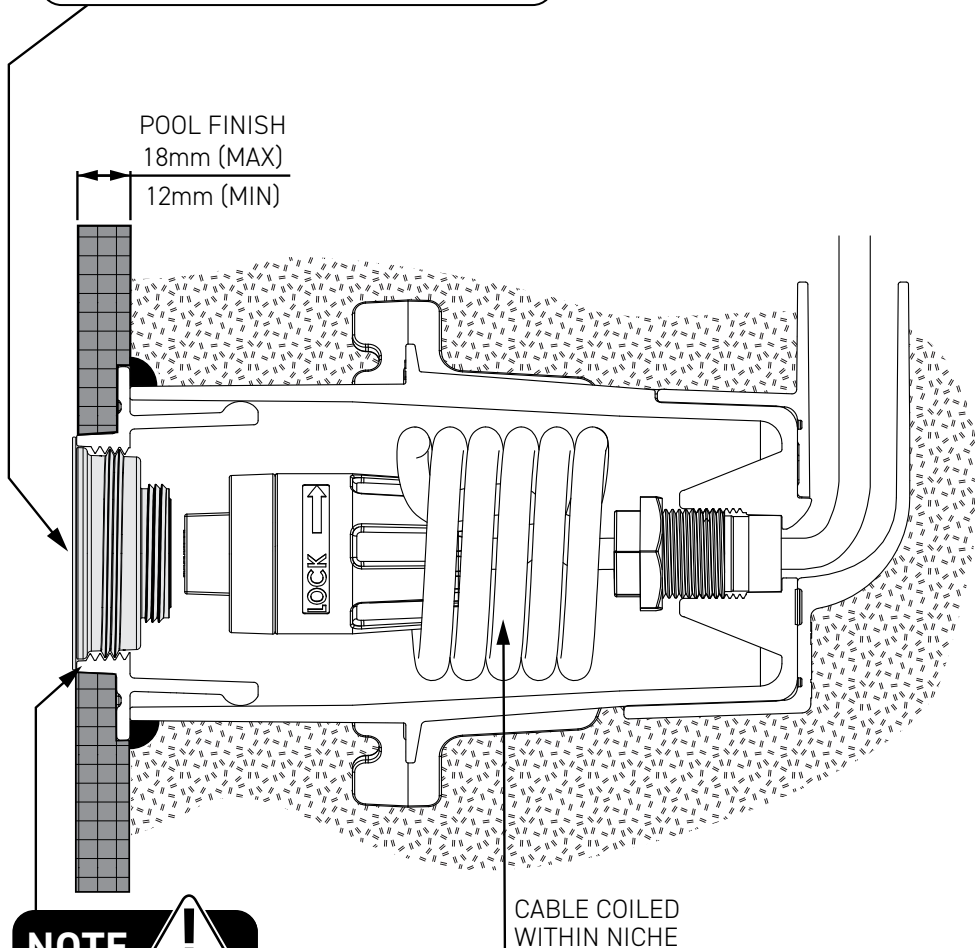
# 5

## APPLY POOL FINISH

### NOTE



PROTECTIVE CAP MUST REMAIN IN MOUNTING RING DURING RENDERING / TILING



### NOTE

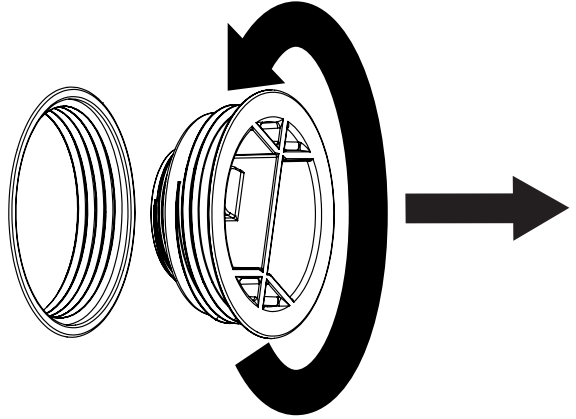


DO NOT TRIM FRONT EDGE OF MOUNTING RING

# B: LIGHT ASSEMBLY

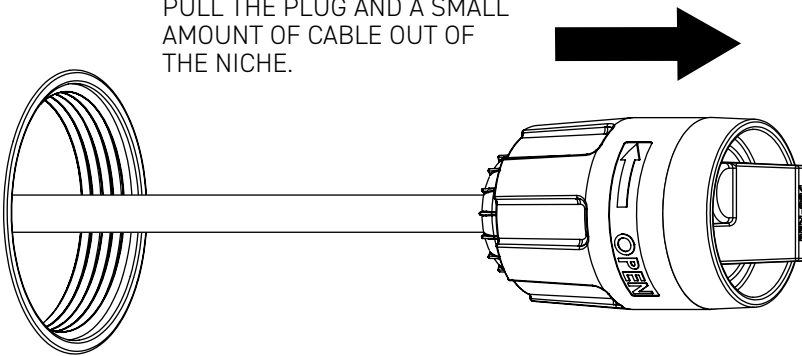
## 1 REMOVE CAP FROM MOUNTING RING

TURN THE MOUNTING RING CAP ANTI-CLOCKWISE TO REMOVE IT.



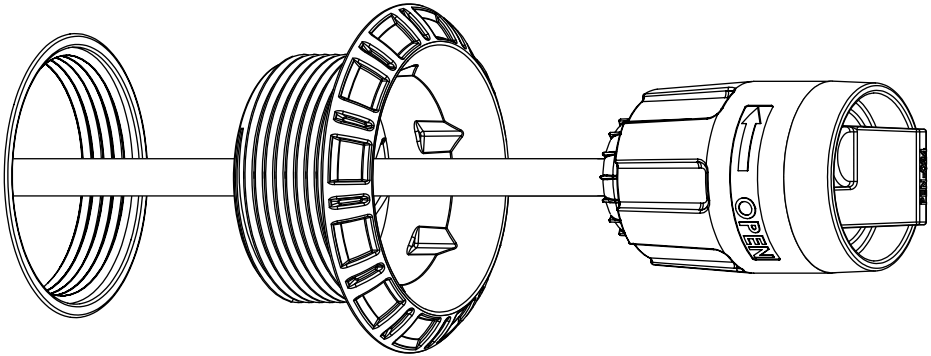
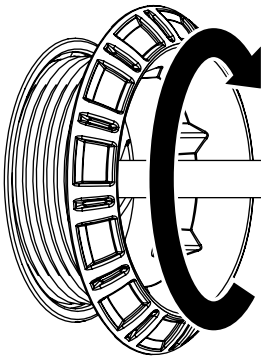
## 2 RETRIEVE PLUG AND CABLE

PULL THE PLUG AND A SMALL AMOUNT OF CABLE OUT OF THE NICHE.

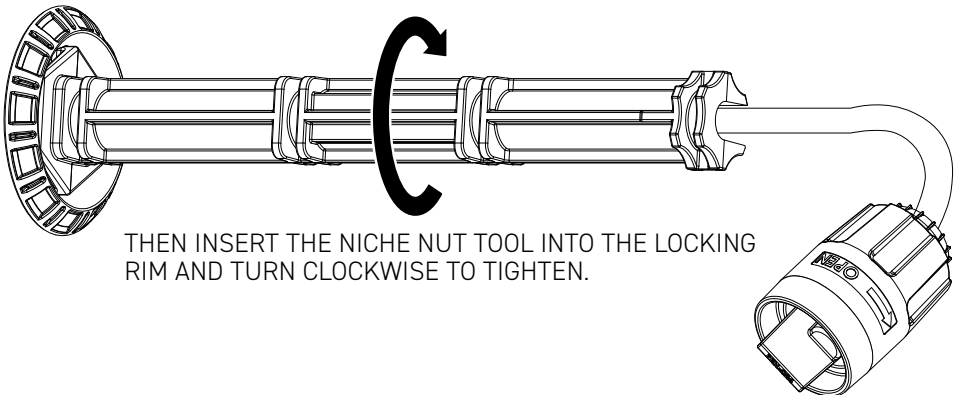
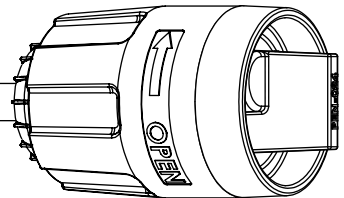


**3****FEED LOCKING RIM OVER CABLE**

FEED THE LOCKING RIM OVER THE PLUG ASSEMBLY AND CABLE

**4****THREAD LOCKING RIM INTO MOUNTING RING**

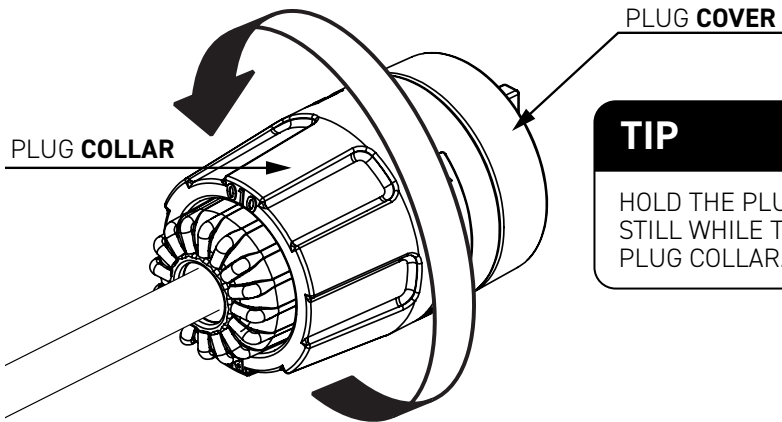
THREAD THE LOCKING RIM INTO THE MOUNTING RING CLOCKWISE BY HAND.



THEN INSERT THE NICHE NUT TOOL INTO THE LOCKING RIM AND TURN CLOCKWISE TO TIGHTEN.

## 5 REMOVE PLUG COVER

REMOVE THE PLUG **COVER** BY TWISTING THE **COLLAR** ANTI-CLOCKWISE A FEW TIMES UNTIL IT IS FREE SPINNING.



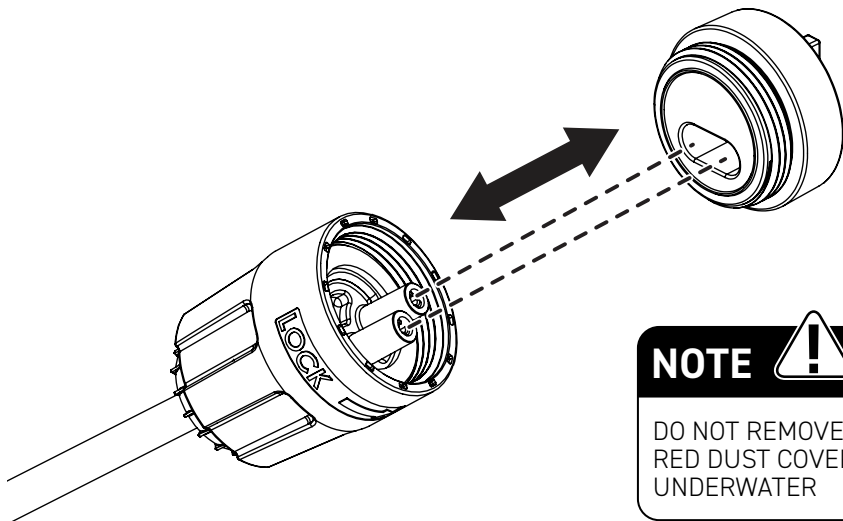
### TIP



HOLD THE PLUG COVER STILL WHILE TWISTING THE PLUG COLLAR.

## 6 REMOVE PLUG COVER

DISCONNECT PLUG COVER FROM PLUG BY PULLING APART.



### NOTE

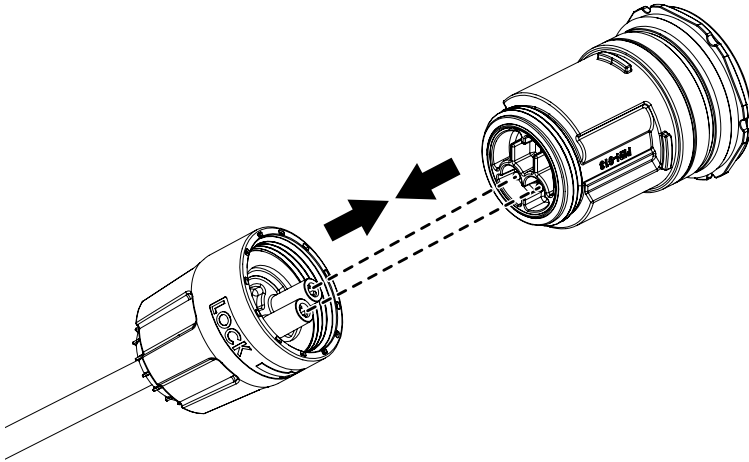


DO NOT REMOVE RED DUST COVER UNDERWATER

# 7

## CONNECT THE TERMINALS

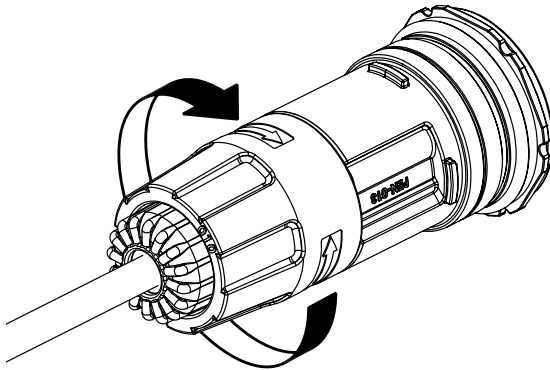
ALIGN THE TERMINAL PINS ON THE PLUG AND BACK OF THE LIGHT ASSEMBLY AND FIRMLY CONNECT TOGETHER.



# 8

## FASTEN PLUG TO LIGHT

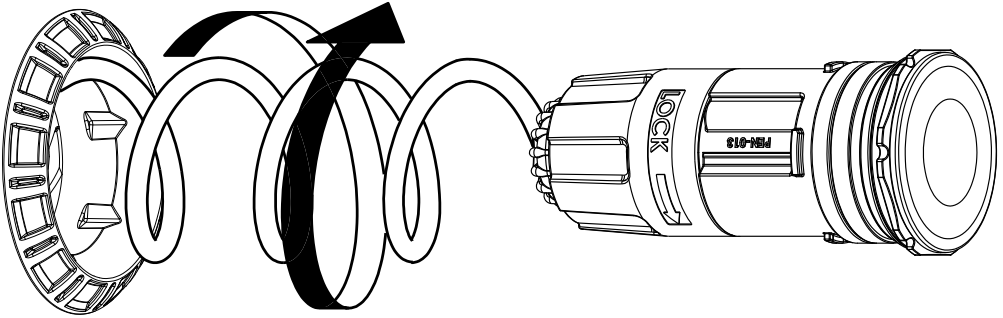
TO LOCK INTO PLACE:  
TWIST COLLAR CLOCKWISE A FEW TIMES UNTIL IT'S HAND TIGHT.



# 9

## RE-COIL THE CABLE

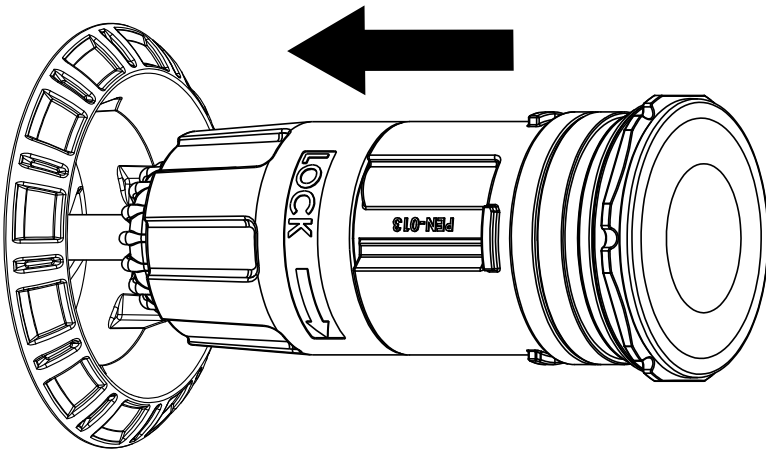
JUST BEFORE INSERTING THE LIGHT INTO THE NICHE, ENSURE THE CABLE IS RE-COILED INTO THE NICHE.



# 10

## INSERT LIGHT INTO NICHE

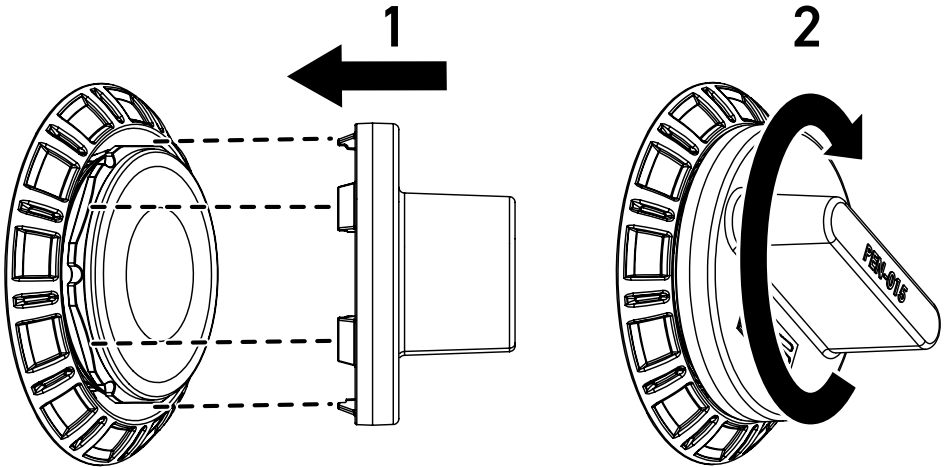
INSERT THE LIGHT ASSEMBLY INTO THE NICHE.



# 11

## LOCK LIGHT INTO LOCKING RIM

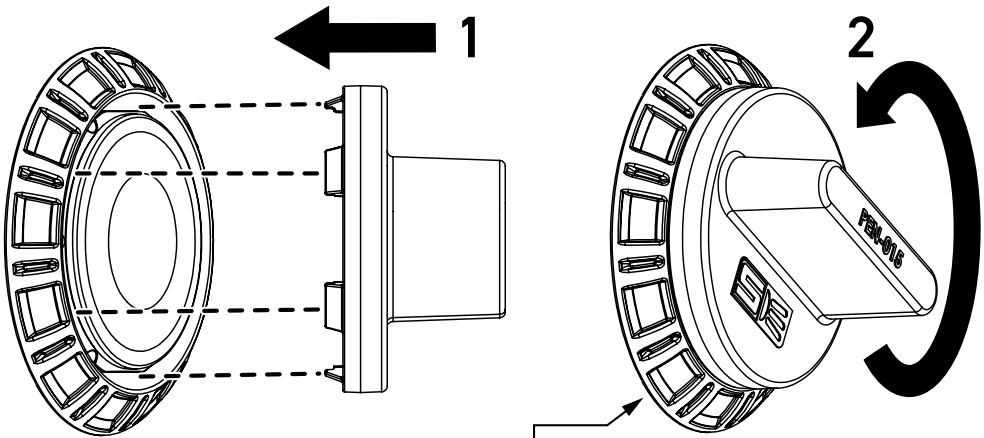
1. INSERT THE LIGHT INSTALLATION TOOL INTO THE FRONT OF THE LIGHT ASSEMBLY, ALIGNING THE TEETH ON THE TOOL WITH THE EDGES ON THE FRONT OF THE LIGHT.
2. TWIST THE LIGHT ASSEMBLY WITH THE TOOL CLOCKWISE INTO THE LOCKING RIM APPROXIMATELY 45 DEGREES. THERE WILL BE A HARD STOP ONCE FULLY INSTALLED.



# LIGHT REMOVAL

## 1 UN-THREAD LIGHT FROM MOUNTING RING

1. INSERT THE LIGHT INSTALLATION TOOL INTO THE FRONT OF THE LIGHT ASSEMBLY, ALIGNING THE TEETH ON THE TOOL WITH THE EDGES ON THE FRONT OF THE LIGHT.
2. TWIST THE LIGHT ASSEMBLY WITH THE TOOL ANTI-CLOCKWISE TO UN-LOCK FROM THE LOCKING RING. NOTE: YOU MAY NEED TO HOLD THE LOCKING RIM IN PLACE TO STOP IT FROM UNTHREADING WITH THE LIGHT.



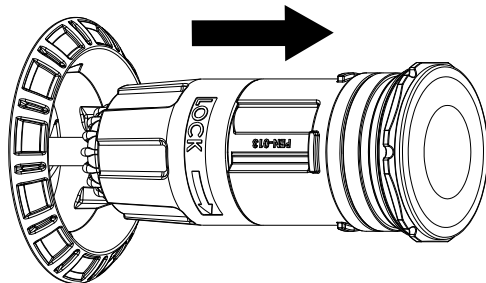
### TIP



HOLD THE LOCKING RIM STILL WHILE TWISTING THE LIGHT ASSEMBLY.

## 2 PULL LIGHT OUT OF NICHE

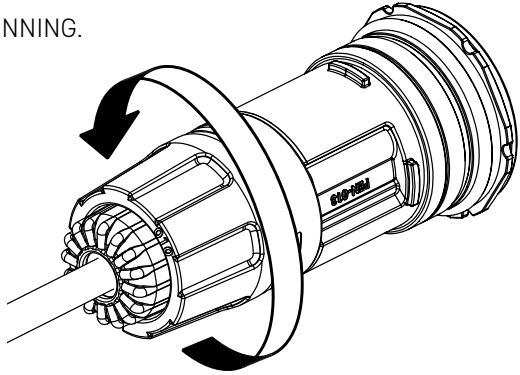
PULL LIGHT ASSEMBLY WITH PLUG ATTACHED OUT OF THE NICHE.



### 3

## REMOVE PLUG COLLAR FROM LIGHT

UNSCREW PLUG COLLAR ANTI-CLOCKWISE UNTIL IT IS FREE SPINNING.



### IMPORTANT NOTES

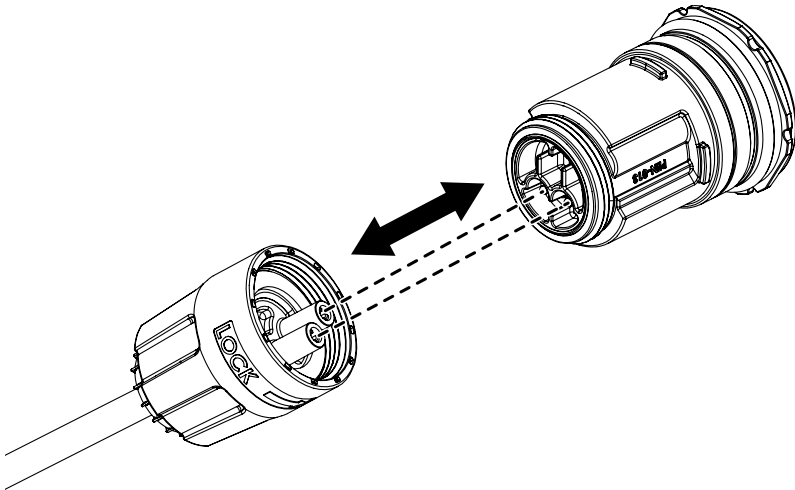


CABLE SHOULD BE SECURED ABOVE WATER AND WEATHER PROTECTED WHILE LIGHT IS DETACHED.

### 4

## REMOVE PLUG FROM LIGHT

DISCONNECT LIGHT ASSEMBLY FROM PLUG BY PULLING APART.

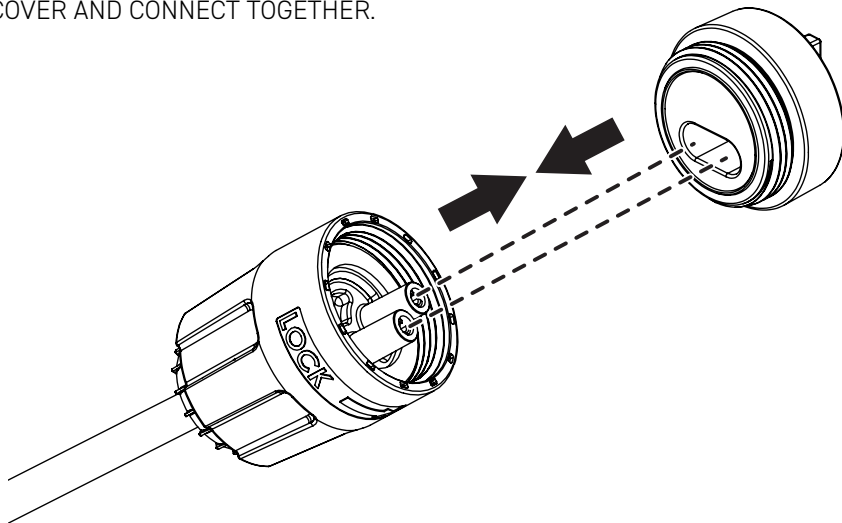


# 5

## ATTACH PLUG COVER TO PLUG

TO PROTECT THE PLUG WHILE THE LIGHT IS REMOVED, THE PLUG COVER SHOULD BE ATTACHED.

ALIGN THE TERMINAL PINS ON THE PLUG WITH THE SLOT ON THE PLUG COVER AND CONNECT TOGETHER.

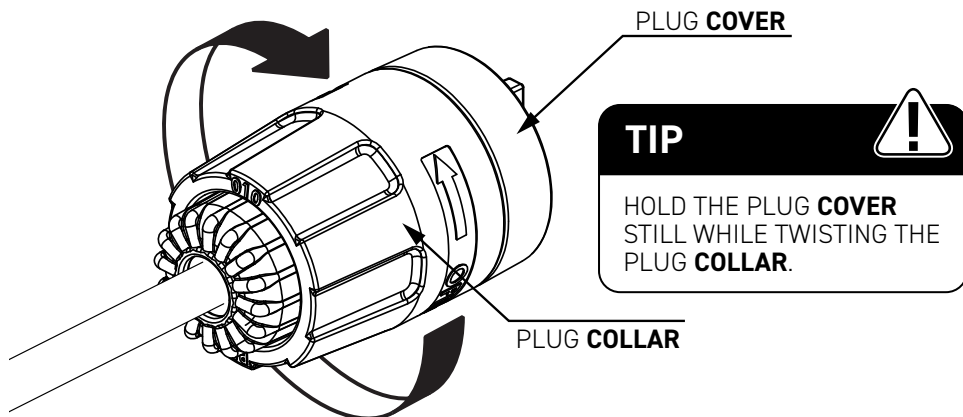


# 6

## FASTEN PLUG COVER

TO LOCK INTO PLACE:

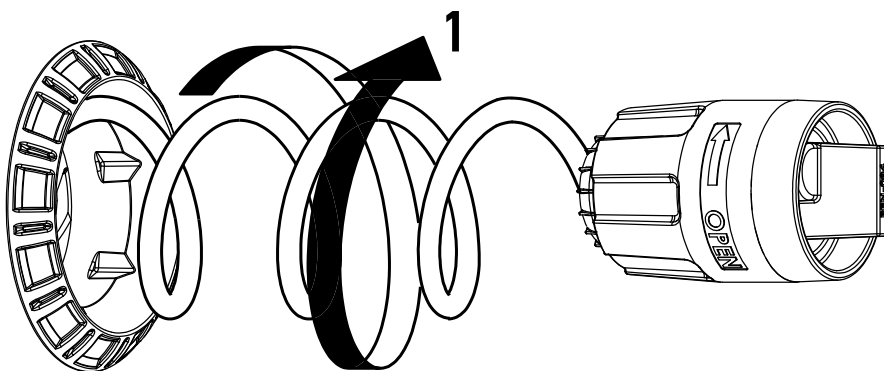
TWIST THE PLUG **COLLAR** CLOCKWISE A FEW TIMES UNTIL IT'S HAND TIGHT.



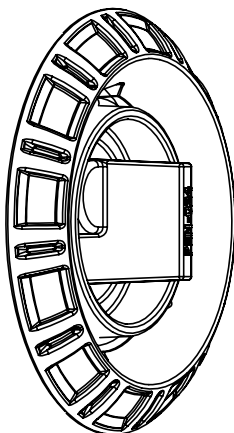
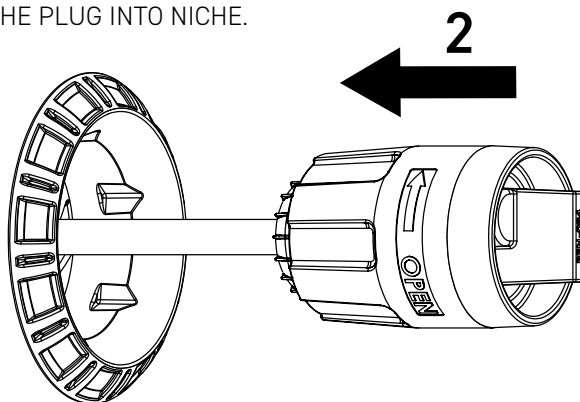
# 7

## STORE CABLE IN THE NICHE

1. RE-COIL THE CABLE BACK INTO THE NICHE.

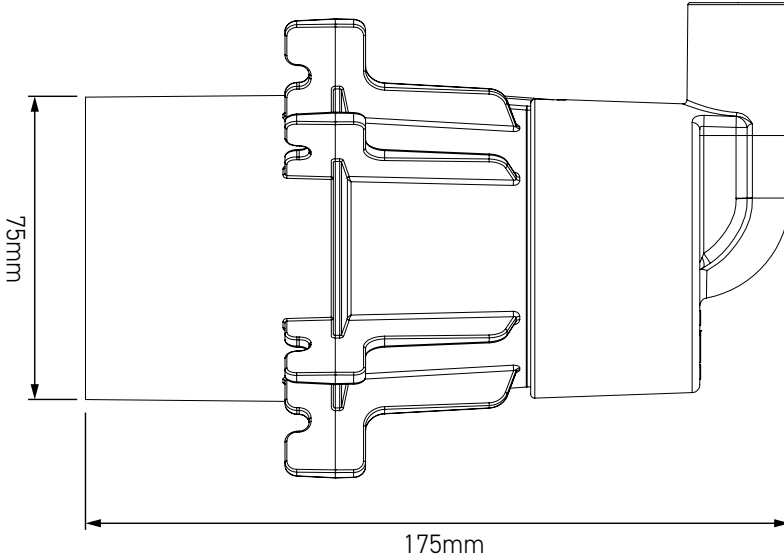


2. INSERT THE PLUG INTO NICHE.

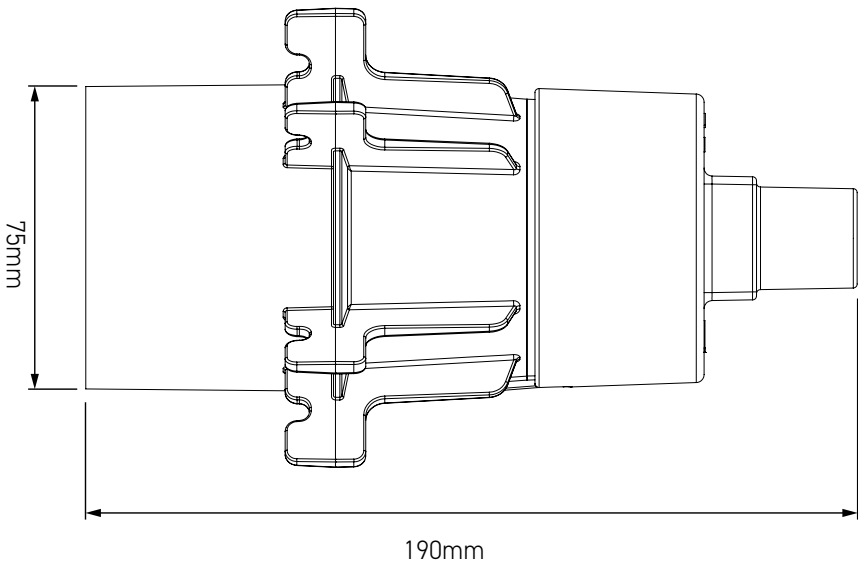


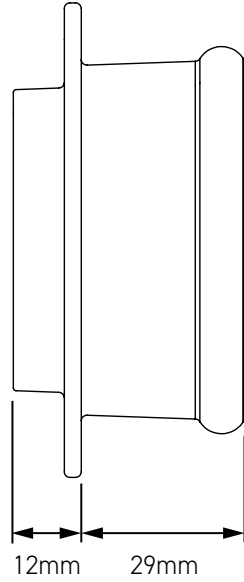
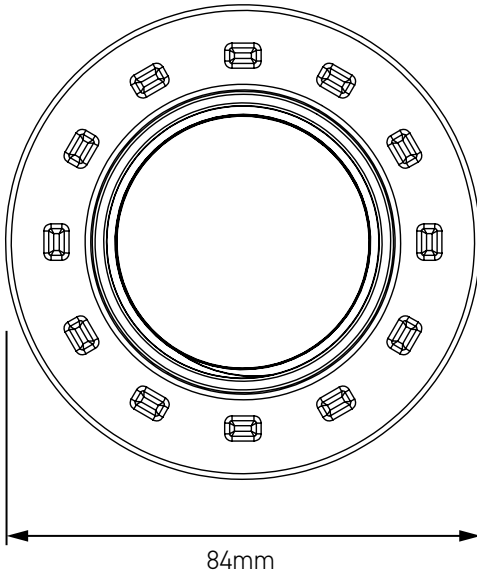
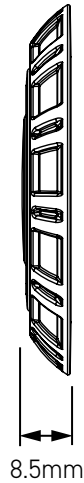
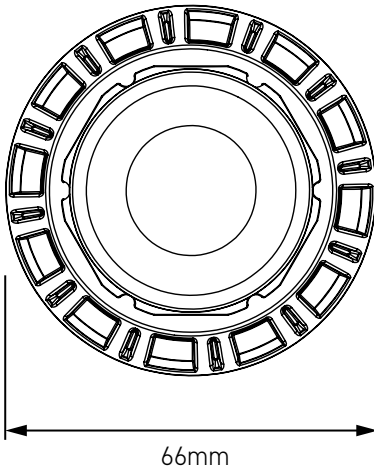
# KEY DIMENSIONS

## A TOP ENTRY NICHE



## B REAR ENTRY NICHE



**C****MOUNTING RING****D****INSTALLED LIGHT**

# TROUBLESHOOTING

| ISSUE   | REASON   | ACTION  |
|---|--|---|
| Light returns to WHITE color during manual color change | Light synchronization process has been triggered | Refer to MULTI PLUS Installation & User Guide                                   |
| Light flashes 2 times (RED)                             | Light over heating.                              | Check light is fully submerged. Check vents are not obstructed                  |
| Light not operating (1)                                 | Faulty connection to transformer                 | Ensure cable correctly connected to transformer terminals                       |
| Light not operating (2)                                 | Mains power not connected                        | Check transformer is plugged in to GPO and switched on                          |
| Light not operating (3)                                 | Damaged cable                                    | Disconnect plug top and test voltage under load using multi-meter (ie. 20w 12v) |
| Light not operating (4)                                 | Transformer not working                          | Check fuses & test transformer using multimeter under load (ie.15W 12V)         |
| Light colors not synchronized                           | Incorrect operating mode selected.               | Refer to MULTI PLUS setup procedure   |

**If these issues cannot be resolved with the above recommended actions, please contact your local Spa Electrics reseller or Spa Electrics directly.**

[www.spaelectrics.com.au](http://www.spaelectrics.com.au)

PAGE INTENTIONALLY LEFT BLANK

PAGE INTENTIONALLY LEFT BLANK



 **Spa Electrics**<sup>®</sup>

© COPYRIGHT 2025 SPA ELECTRICS PTY. LTD.  
ALL RIGHT RESERVED

2025 08 25