



Super Nova™ RGBAW Light

Model Number: BMB.PL.96W.RGBAW.DMXRDM

The Blue Mar Super Nova is one of the most advanced RGBAW underwater pool lights in the market. Designed for commercial aquatic installations, the Super Nova Light incorporates 100 High-Power LEDs with IP68 watertight protection, highly durable and corrosion-resistant 316 stainless steel housing, and a full potting break, incorporating the latest generation of microprocessor control. The Blue Mar Super Nova offers unbeatable quality and performance.



Illumination

Number of LEDs	100 Latest Generation Cree High Power LEDs, selected to offer the widest chromaticity range
Lumen output	4,915.9 lm
Color	RGBAW
Beam angle	120 degrees
Optics	Custom designed for efficiency, optimal beam distribution and steering

Power/Control

Output power	96 watts
Input voltage	24VDC (12 VAC available, consult BMB for details)
Cable	100 ft UL listed custom 7 core cable designed for submersion, full potting break into light housing
Control	DMX / RDM / FoR
Self protection	Multiple layers of hardware and software thermal protection, built-in Overheat and Humidity monitor with visual alert and remote access, and built-in short circuit protection via non-resettable fuses
Termination	Termination onboard settable via RDM
Repeater	Default 7 logical DMX channels. Other DMX personalities settable via RDM

Details

Model number	BMB.PL.96W.RGBAW.DMXRDM
Dimensions	8" Diameter [PAR64]
Certifications	UL 676 Pool and Spa
Installation	Submersible, niche-mounted with built-in BMB technology for natural water convection, providing enhanced cooling and extended light
Origin	Made in USA

Material

Material	316 Stainless Steel
IP rating	IP68 — Certified Submersible up to 3m depth
Face ring	316 Stainless Steel Flush Mount
Protection glass	8mm tempered safety glass (frosted glass available, consult BMB for details)

Contact:

Exclusively distributed in the USA by Pool Corp

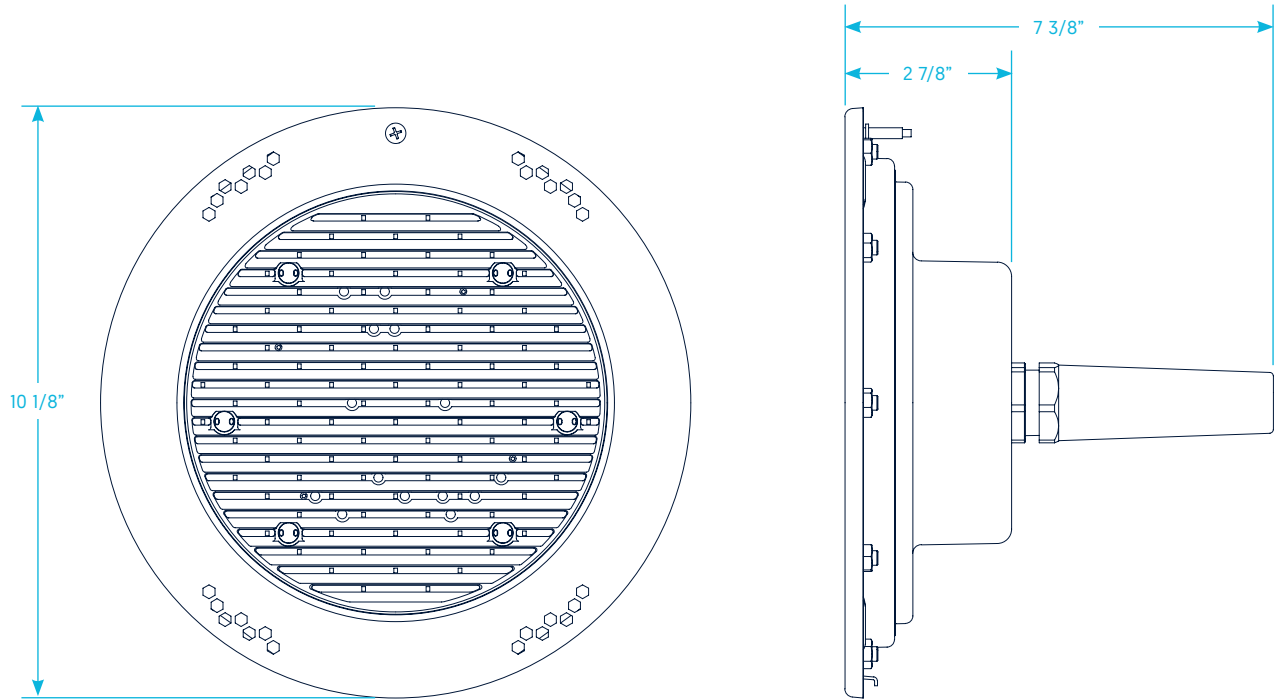


The information contained in this document is the sole property of Blue Mar Basins®. Any reproduction in part or as a whole without written permission of Blue Mar Basins® is prohibited.



Super Nova™ RGBAW Light

Model Number: BMB.PL.96W.RGBAW.DMXRDM



**BLUE MAR
BASINS®**

The information contained in this document is the sole property of Blue Mar Basins®. Any reproduction in part or as a whole without written permission of Blue Mar Basins® is prohibited.