

MR16 ECOSTAR



DESCRIPTION

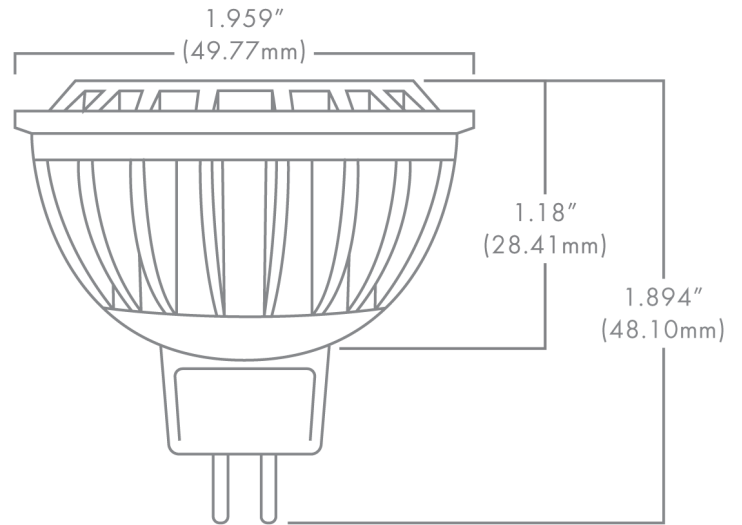
The Brilliance MR16 ECOSTAR Bi-Pin lamp is designed to fit in standard low voltage fixtures. Designed for budget-conscious landscape lighting projects. Dimmable with Brilliance Dimmer and most magnetic transformers.

MR16 ECOSTAR FEATURES

- White housing
- Dimmable with Brilliance Dimmer and most magnetic transformers
- Enhanced ESD (Electro-Static Discharge) protection (IEC-61000-4-2)
- Heat overload protection technology

MR16 ECOSTAR SPECS

Wattage	4, 7	
Lumens	2700K	3000K
4W	350	420
7W	640	660
Beam Spread†	15°, 30°, 60°, 120°	
Kelvin Temperature	2700, 3000	
Operating Range	8-25 VAC/DC	
Replaces	35W, 50W Halogen	
CRI	80	
IP	61	
Lamp Life (hours)	30,000	
Warranty (years)	3	



Part Number: **MR16-X-ECO-XXXX-XXX**

Wattage Kelvin Beam spread



† Select Beam Spreads Available in Stock. Call 800-867-2108 for availability.