

# INSTALLATION INSTRUCTIONS



## INSTALLER

READ ENTIRE INSTRUCTION SHEET BEFORE PROCEEDING TO INSTALL.

## POOL OWNER

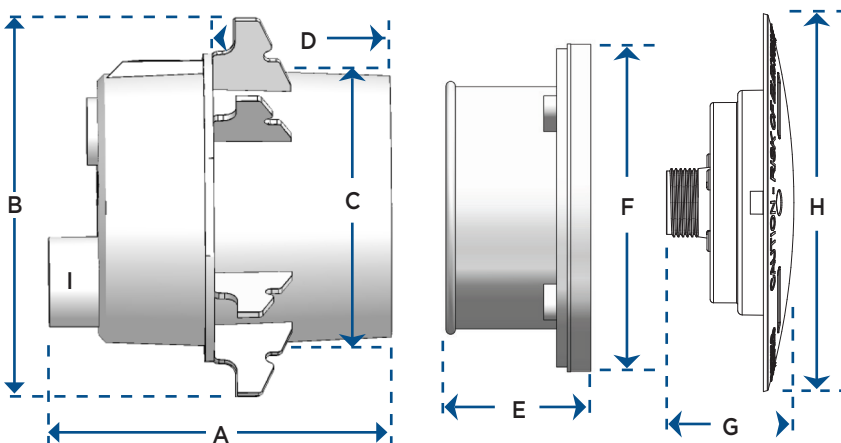
PLEASE KEEP THESE INSTRUCTIONS FOR FUTURE REFERENCE.

## PLEASE NOTE

THESE INSTALLATION INSTRUCTIONS APPLY TO SPECTRUM™ 360 LED POOL LIGHTS FOR GUNITE POOLS ONLY.



### Spectrum™ 360 Flush Mounted Pool Light - Gunite



Spectrum™ 360	
CODE	DIMENSIONS (inches)
A	6.00
B	6.61
C	4.72 max
D	3.11
E	2.48
F	5.63
G	2.13
H	6.55
I	Accepts 1" Conduit

# STEP 1: NICHE INSTALLATION

## Niche Installation – see Diagram 1

- 1 Spectrum™ 360 Niche should be tied to the steel reinforcing, before guniting/shotcreting the pool. A red Gunite Cap is supplied to fit inside the front of the Niche prior to shotcreting.
- 2 On the exterior of the Niche, the Conduit Fitting will accept 1" rigid PVC electrical conduit. Do not use flexible conduit.
- 3 Use tie wire or cable ties through the holes on the outer perimeter of the Niche to securely fasten it to the steel reinforcing bars. Position the Niche so that the front will finish level with the gunite.
- 4 It is very important to locate Niche at a suitable location and depth to allow for future servicing of the pool light. Excavate sufficiently around the rear of the Niche to allow approximately 4 inches of gunite to encase it. If pool is out of ground and fully formed, ensure the formwork allows for gunite to encase the Niche.
- 5 Spectrum™ 360 Cable can be drawn through, excess cable must be coiled up and stored inside Niche. The Threaded Protective Plug must remain on end of Quick Connect Plug Kit.

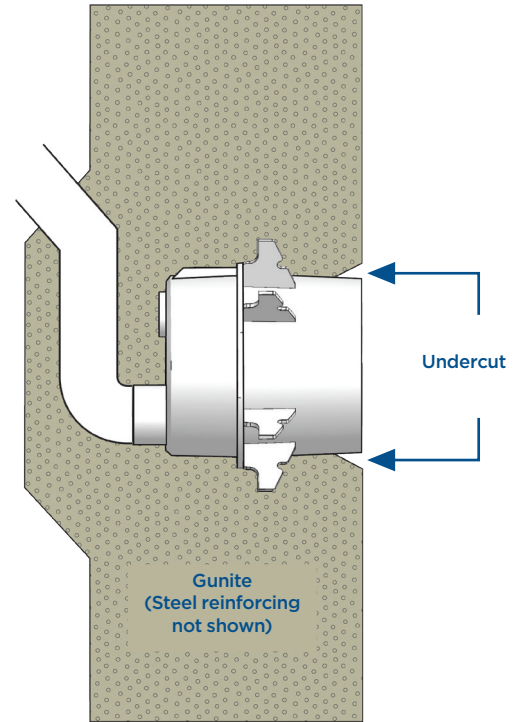


Diagram 1 – After Guniting/Shotcreting

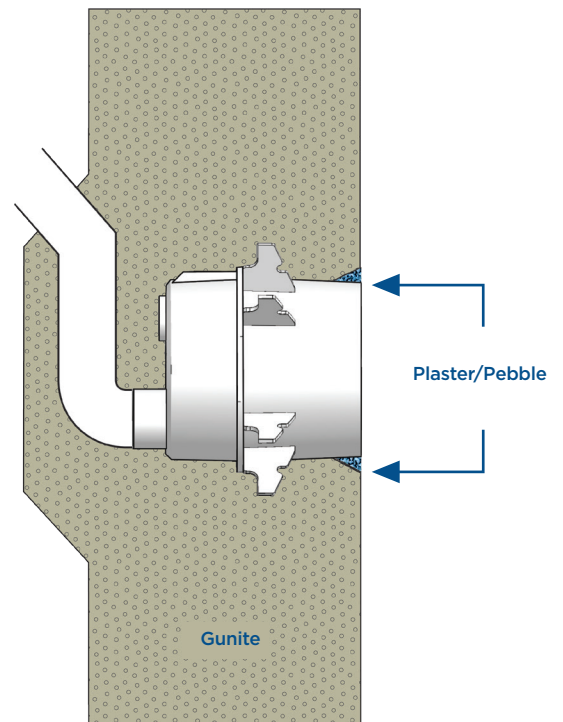
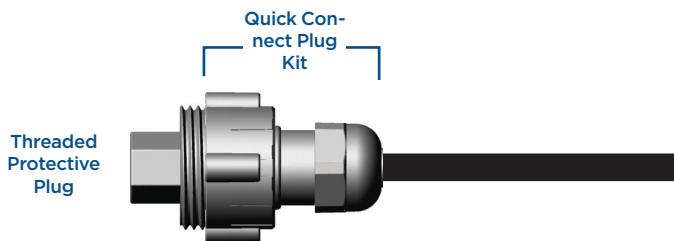


Diagram 2 – Plaster/Pebble Seals at waterstop

## QUICK CONNECT PLUG KIT



The Spectrum™ 360 LED pool light cable is a UL Listed 2-core, 18A WG STOW Cable.

It is supplied factory fitted with the Quick Connect Plug Kit and Threaded Protective Plug. This allows the installer/builder to install the cable and build the pool without the need to connect the pool light until just prior to filling.

## STEP 2: ADJUSTABLE PLASTER RING INSTALLATION

### Adjustable Plaster Ring Installation - After Guniting/Shotcreting and Sealing (Diagram 2):

6 Remove red-color Guniting Cap. Use pvc glue or construction adhesive to secure the Adjustable Plaster Ring inside the Niche to your required depth and alignment. If Niche protrudes from the guniting, a maximum of 3/4" can be cut off from the front. If the Niche has been set back too far in the wall, then the (P/N ASL 076) is available. The eyeball feature on the Adjustable Plaster Ring allows adjustment so that the Adjustable Plaster Ring face can be aligned flush with the anticipated pool interior finish even if the Niche is out of alignment. When gluing or securing the Adjustable Plaster Ring, ensure that 2 of the screw holes are located horizontally.

**\*Cable can be installed during Step 2 as needed.**

**Important: Allow enough cable to enable pool light to be rested on pool deck.**

7 The Adjustable Plaster Ring is now in position ready for the pool interior to be applied. Push on the green-color Plaster Cap into the Adjustable Plaster Ring by lining up the arrows on the Plaster Cap with the screw provisions on the Adjustable Plaster Ring, push in firmly. Pool interior should finish flush with the front face of the Adjustable Plaster Ring.

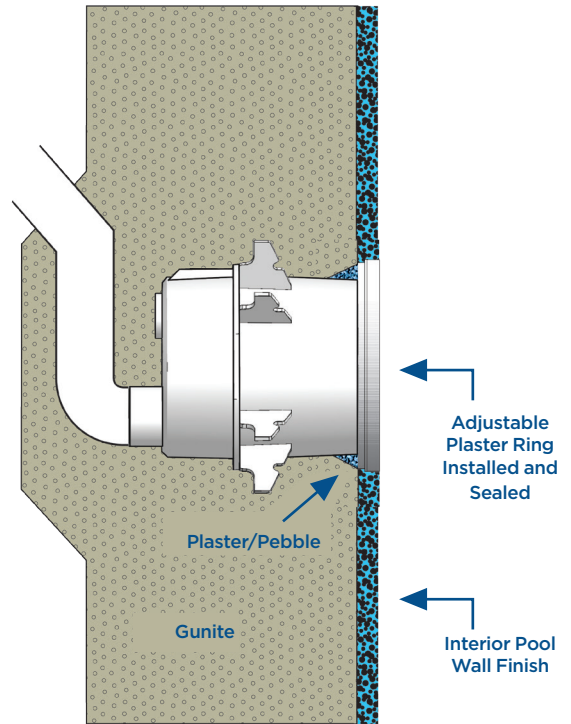


Diagram 3 - Sealing



Part # ASL 076  
Extension Plaster  
Ring

### TECHNICAL SPECIFICATIONS Spectrum™ 360 LED POOL LIGHTS

Nominal Supply Voltage: 12V AC 50/60 Hz

Protection Rating: IPX8

Temperature Range: 14°C ~ +104°C water temperature

Power Consumption: White and blue = 25 VA Maximum per light

Power Consumption: Multi color = 30 VA Maximum per light

Fault Protection: Power-cycle "run dry" thermal cut-out. Voltage transient clamping.

Spectrum™ 360 LED POOL LIGHTS must only be operated underwater as they are water-cooled.

## STEP 3: POOL LIGHT INSTALLATION

### Pool Light Installation

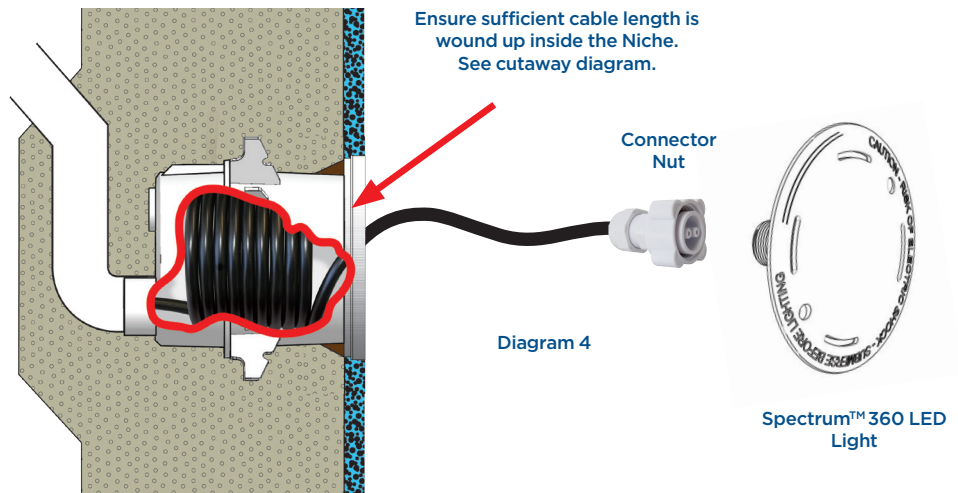
**8** Remove green-color Plaster Cap. Clean any debris that may have entered the Niche and Adjustable Plaster Ring during pool construction. Unwind Spectrum™ 360 Cable and unscrew the white Threaded Protective Plug and remove it (retain for possible future use). Ensure the two O-rings are lubricated and in good order, clean any grit or dust that may be around the O-rings. Push the Quick-Connect Plug Kit into the rear of the Spectrum™ 360 Pool Light and tighten Connector Nut firmly by hand. Insert and coil up excess cable into the Niche.

Spectrum™ 360 locates onto the Adjustable Plaster Ring, use two 7/8" CSK stainless steel (316SS) screws provided to attach pool light to Adjustable Plaster Ring, do not

overtighten.

**9** Only turn pool light on when completely submerged under water.

The Spectrum™ 360 LED Pool Light is factory-sealed and is not user-serviceable.



## WARNINGS

- Never stare directly at LED Pool Lights. Prolonged direct exposure can cause eye damage.
- Spectrum™ 360 Pool Light is for use only in Fresh Water Pools (salt water pools with <6,000ppm salt are considered fresh water).
- Only install Spectrum™ 360 Pool Light into Plaster Ring and Niche.
- Spectrum™ 360 operates only from 12v AC and does not require grounding due to its all-plastic construction.
- Spectrum™ 360 must be installed in accordance with the National Electric Code by a Certified Electrician or Qualified Pool Technician.