

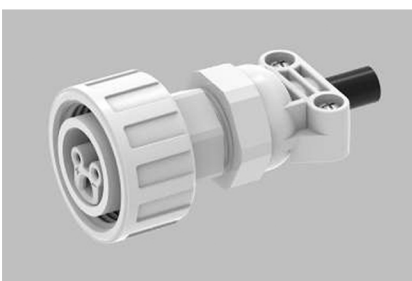
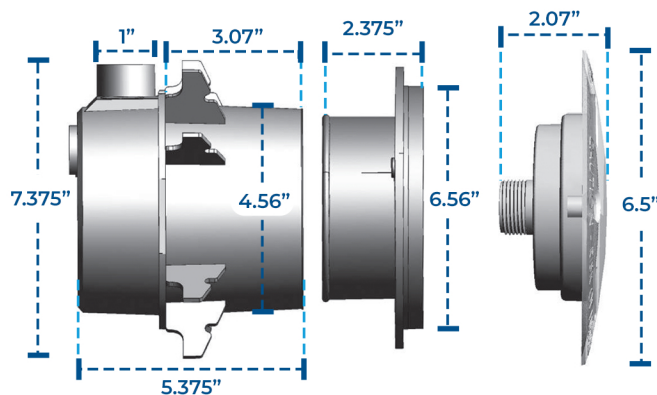
The Spectrum™ 360 LED Pool Light is a modern designed wet niche lighting system that is compact and stylish and blends unobtrusively with the pool wall. The anti-glare lens design provides increased beam spread and side-lighting effects, while maintaining a flush profile of just 1/3" protrusion from the pool wall.

The all plastic construction of the Spectrum™ 360 LED Pool Light negates the need for bonding/grounding and ensures safety to pool users, lights are compatible with popular third-party controllers. The innovative Plaster Ring is adjustable, allowing angular and depth adjust-ability if the 4" niche becomes misaligned during construction.

Model	Description	Color Temp or Wavelength	Lumens	Power Consumption	Incandescent Equivalent
<b>ALL LIGHTS OPERATE FROM 12V AC ~ 14V AC POWER SUPPLY</b>					
<i>UL Listed for installation with the top of the luminaire lens not less than 100mm (4") below the normal water level of the pool.</i>					
200041 - WT	White	6500K	985	25VA	165 watts
200046 - WW	Warm White	2850K	900	25VA	155 watts
200040 - BL	Blue	465nm	300	25VA	N/A
200047 - T	Amber (Turtle Friendly)	>560nm	425	13VA	N/A
200043 - P	Multi-Color PENTAIR (held on white)	4,000K	850	25VA (30VA max)	140 watts
200044 - J	Multi-Color JANDY + WALL SWITCH (held on white)	4,000K	650	21VA (30VA max)	110 watts
200045 - H	Multi-Color HAYWARD (held on white)	>10,000K	380	16VA (30VA max)	65 watts

**MAXIMUM CABLE LENGTHS**  
For Spectrum™ 360 LED Pool Lights

Voltage	18AWG	14AWG
<b>MULTI-COLOR LIGHT CABLE</b>		
12V	60ft	130ft
13V	90ft	190ft
14V	120ft	250ft
<b>FIXED COLOR LIGHT CABLE</b>		
12V	70ft	150ft
13V	100ft	220ft
14V	140ft	310ft



**SPECTRUM PLUG KIT**

The most unique feature of the Spectrum™ 360 LED Pool Light is its connectivity. The distinctive and patented waterproof Plug Kit, with its protective cap, allows for the new light to be safely stored away until the pool shell is formed and surface finished thus protecting it from the rigors of the building process. The Plug Kit simply plugs into the rear of the light and hand-tightened into position – without the use of tools. The light is then secured to the Plaster Ring. Standard cord lengths are available in 50ft, 100ft and 150ft lengths using 18AWG cable.

Pentair, Jandy and Hayward are trademarks of their respective owners.