

BRING YOUR POOL & SPA

BACK TO LIFE

THE WORLD OF REPLACEMENT LIGHTING JUST GOT A WHOLE LOT BRIGHTER

The Vivid 360 Replacement LED is engineered to replace most existing pool and spa lights to deliver more colorful and vivid lighting than ever before. Whether you need to replace a broken light or you just want to upgrade to a more colorful brighter LED light, Vivid 360 is the preferred choice of pool owners and industry experts alike.

- Replaces most existing pool & spa lights
- Available in white, blue or multi-color
- Separate White Trim Ring available
- Use existing lighting cable and our patented quick-connect plug kits in most cases
- Safer, low-voltage and more energy-efficient solution

BLUE SQUARE

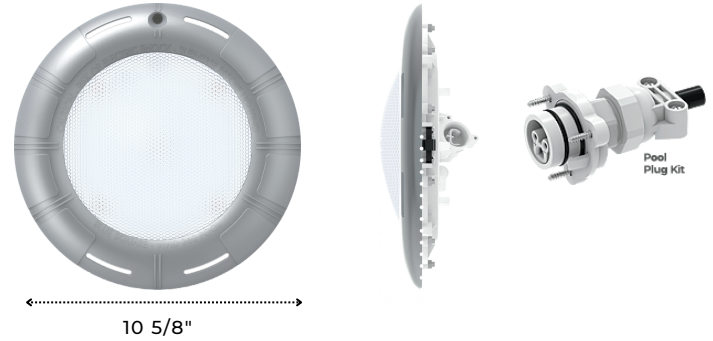
Vivid360
POOL REPLACEMENT LED



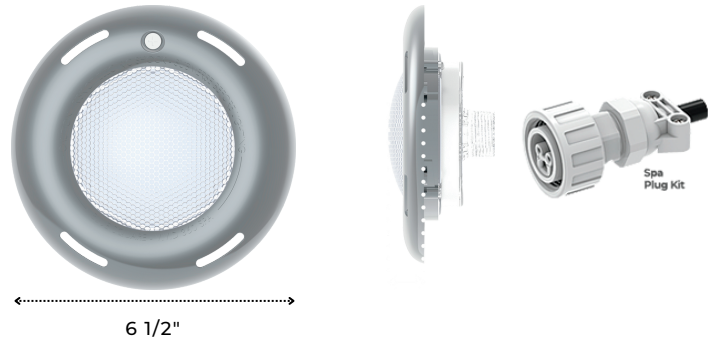
IMAGINE MORE COLOR AND VIVID LIGHT THAN EVER BEFORE

- Replacements for pool, spa, and nicheless lighting (also replaces fiber optic)
- Our famous quick-connect plug kits make Vivid360 "the most reliable, service-friendly replacement LED on the market"
- Public and semi-public commercial pool compatible
- Time tested technology and proven reliability
- Adjustable tab system fits most lighting niches including Jandy®, Hayward® and Pentair®
- Saves pool owners and service professionals time and money with product warranty, durability and service-friendly design
- Leading pool professionals nationwide have called Vivid 360 "the complete solution for historical problems with nicheless lighting"
- Replaces both 1.5" nicheless lights and fiber optics
- 12-14 volt transformer required for all of our low-voltage lighting

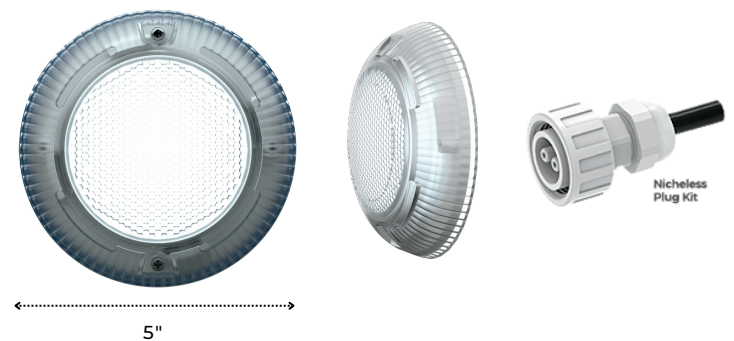
POOL REPLACEMENT LIGHT



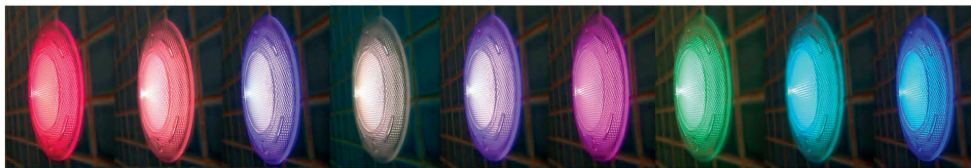
SPA REPLACEMENT LIGHT



NICHELESS REPLACEMENT LIGHT



AVAILABLE IN WHITE, BLUE AND MULTI-COLOR



Vivid360
POOL REPLACEMENT LED

