

SPECIFICATION SHEET

PRODUCT # : CL-307-AB

• Underwater

• Cast Brass

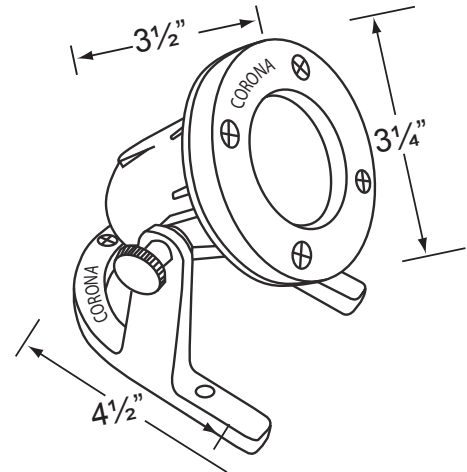
Fixture Specifications:

Housing: Corrosion resistant cast brass.
Faceplate: Cast brass with 316 marine grade stainless steel screws.
Finish : **AB- Antique Bronze.** Natural toning process. AB finish will vary due to artistic process. Also available in **BR- Natural Brass**
Lens: Clear, tempered, and heat resistant glass.
Socket: Top grade loose ceramic bi-pin socket, spring loaded design.
Lamp: 12V, MR-16 halogen 50W max. L-BAB-C20 (20w) standard. LED lamps are also available. See lamp guide, below for more information.
Gasket: Silicone "O" ring seals faceplate to housing providing water tight protection.
Applications: To be used in fountains, ponds, and waterfalls. Do not use in swimming pools, lakes or spas.

Wiring: Fixture is prewired with 18-2 SJT-W water resistant cord. The standard cord length is 30ft. This model can optionally be ordered with a 50ft cord (**CL-307-AB-50**) or a 100ft cord (**CL-307-AB-100**). Additional cord lengths can also be supplied upon request.
Mounting: Fully adjustable arms with solid brass thumb screws to provide light aiming. Fixture is mounted on a heavy duty brass bracket for a firm and stable underwater placement.
Electrical Notes: A remote 12V transformer required, may be ordered to Corona Lighting separately. Voltage range for 12V halogen lamps are 11V-12.5V. Voltage range for LED lamps are 9V-17V.
Warranty: Limited lifetime warranty on fixture against manufacturer's defects.



3.5W and 5W



AVAILABLE LED LAMPS (Corona LED lamps have a five (5) year limited warranty against manufacturer's defects)

| LAMP NUMBER | WATTS | BEAM | | COLOR & TEMP. | RATED HOURS | HALOGEN EQUIVALENT |
|-------------------|-------|----------------|-------|---------------|-------------|--------------------|
| | | SPREAD | LUMEN | | | |
| L-ED16-COB5W-SP | 5 | 15° Spot | 450 | 2700K | 50,000 | 50 Watt |
| L-ED16-COB5W-FL | 5 | 38° Flood | 450 | 2700K | 50,000 | 50 Watt |
| L-ED16-COB5W-WF | 5 | 60° Wide Flood | 450 | 2700K | 50,000 | 50 Watt |
| L-ED16-COB5W-SP3K | 5 | 15° Spot | 470 | 3000K | 50,000 | 50 Watt |
| L-ED16-COB5W-FL3K | 5 | 38° Flood | 470 | 3000K | 50,000 | 50 Watt |
| L-ED16-COB5W-WF3K | 5 | 60° Wide Flood | 470 | 3000K | 50,000 | 50 Watt |
| L-ED16-3W-SP | 3.5 | 15° Spot | 270 | 2700K | 50,000 | 25 Watt |
| L-ED16-3W-FL | 3.5 | 45° Flood | 270 | 2700K | 50,000 | 25 Watt |
| L-ED16-3W-WF | 3.5 | 60° Wide Flood | 270 | 2700K | 50,000 | 25 Watt |
| L-ED16-5W-SP | 5 | 15° Spot | 350 | 2700K | 50,000 | 40 Watt |
| L-ED16-5W-FL | 5 | 45° Flood | 350 | 2700K | 50,000 | 40 Watt |
| L-ED16-5W-WF | 5 | 60° Wide Flood | 350 | 2700K | 50,000 | 40 Watt |

For more additional Lamps, and accessories visit Coronalighting.com

JOB INFORMATION

TYPE: _____ DATE: _____
 JOB NAME & ADDRESS: _____
 PRODUCT #: _____
 TOTAL QUANTITY: _____
 LAMP TYPE & WATTAGE: _____
 TRANSFORMER: _____
 CONTRACTOR: _____
 SPECIFIER: _____

• When ordering LED lamp with a fixture your part number should follow the format below:

• **CL** - **product #** - **lamp** - **wattage** - **lamp angle**
CL - 307-AB - L-ED16 - 5W - FL

Example: CL-307-AB-L-ED16-5W-FL

• Corona Lighting reserves the right to make any change and/or improvement to the design and construction of this fixture without further notification.