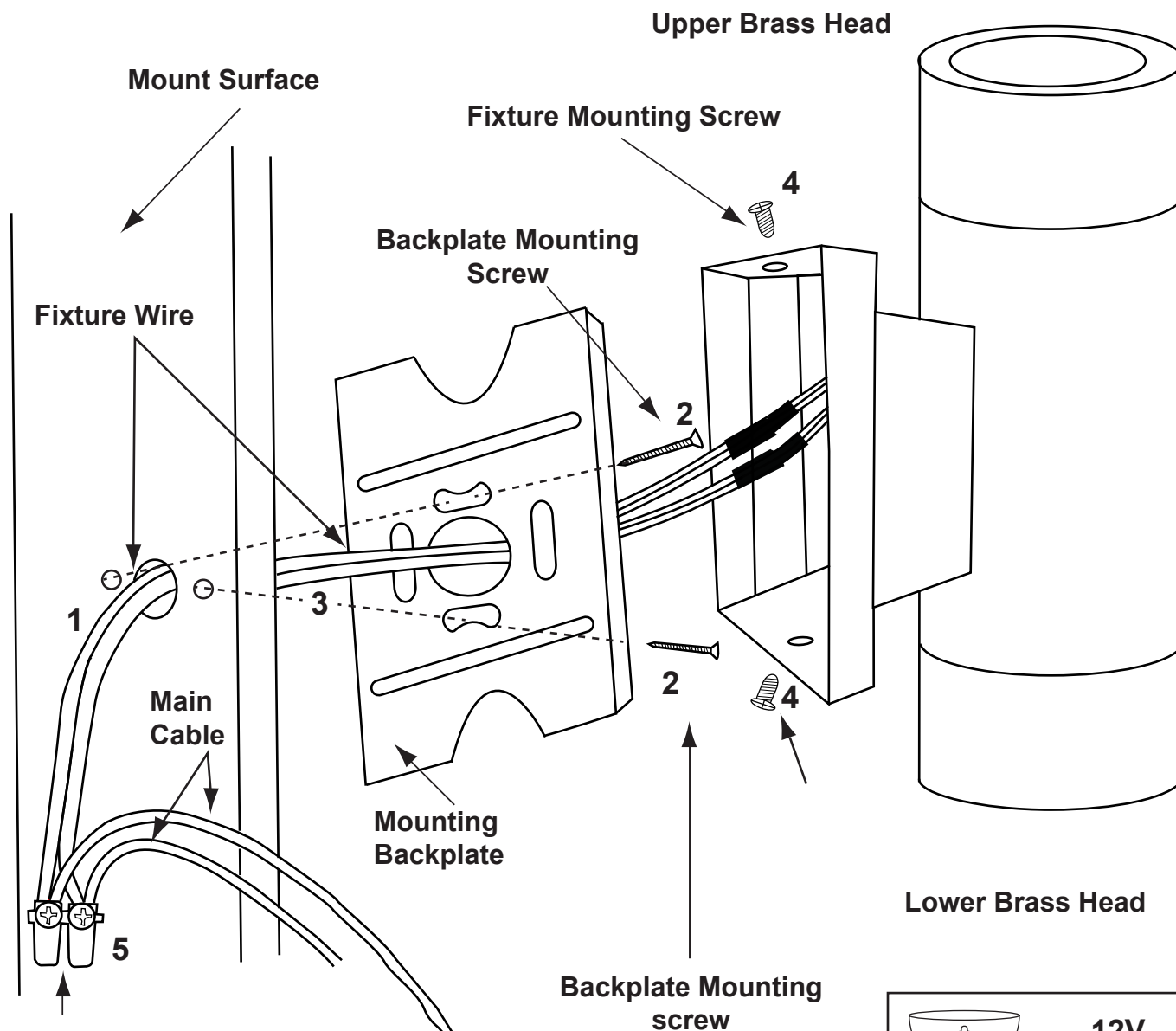




## Installation Diagram



CX-LOC Waterproof Connectors (Supplied Separately)

### Installation Instruction

1. Make a hole through mount surface, to run fixture wire
2. Afix mounting backplate to mount surface with 2 backplate mounting screws (supplied seperately).
3. Feed fixture wire through mounting backplate and hole on mount surface.
4. Mount the fixture on mounting backplate and secure by 2 fixture mounting screws.
5. Splice main cable to fixture wire by a pair of connector CX-LOC (supplied seperately)

**SAVE THESE INSTRUCTIONS**

### Limited Warranty

Corona Lighting warrants this product to be free of defects in material and workmanship undnormal use, when installed with installation instructions, specifications and accepted trade practices for its lifetime, limited to the conditions below.

#### This warranty excludes:

1. Products not used in accordance with directions specified in installation instructions and subject to unauthorized repair.
2. Damages caused by accident, altercation, misuse, abuse and exceeding the cost of product.
3. Costs incurred in shipment, repair, replace, remove or install of product by buyer and others.

#### Other Conditions:

- Corona Lighting reserves the right to issue credit, repair or replace the defective product at our option upon receipt of written notification by original buyer of the alleged defect. Corona Lighting assumes no responsibility for improper installation of the product and shall not be liable for any incidental or consequential damages resulting from use of this product.
- Corona Lighting does not authorize any other warranty, verbal or written except as described here.
- Corona Lighting reserves the right to make any changes to its products without prior notice.

Visit [Coronalighting.com](http://Coronalighting.com) for additional information on these and other products.  
Corona Lighting, Inc. ; Los Angeles, California



2x MR-16, 35w Max each

**INSTRUCTIONS PERTAINING TO A RISK OF  
FIRE, OR INJURY TO PERSONS**

**IMPORTANT SAFETY INSTRUCTIONS  
LIGHTED LAMP IS HOT!**

**Warning: TO REDUCE THE RISK OF FIRE OR  
INJURY TO PERSONS:**

- Turn off/unplug and allow to cool before replacing lamp.
- Lamp gets HOT quickly! Contact only switch/plug when turning on.
- Do not touch hot lens, guard or enclosure.
- Keep lamp away from materials that may burn.
- Do not touch the lamp at any time. Use a soft cloth. Oil from skin may damage lamp.
- Do not operate the luminaire fitting with a missing or damaged shield

### Caution:

Fixture(s) must be installed in accordance with all local codes and ordinances. Do not install within 10 feet of a pool of a pool, spa or fountain