

## COMPOOL® LX820 CONTROLLER EMERGENCY SHUT-OFF SYSTEM

---



The Compool LX820 controller makes it easy and economical to enhance the safety of commercial spas. In the event of an emergency, pushing the mushroom-style button stops all spa equipment. This action shuts off the filter and up to two jet pumps, while sounding an alarm. Pulling the emergency button back out cancels the alarm, and returns the pumps to normal operation.

Also important, the emergency shut-off switch and spring-wound timer operate on low voltage, effectively avoiding the risk of electrical shock.

The LX820 controller can be quickly retrofitted to almost any commercial spa. The existing conduit for the spring-wound timer is used to bring the wires

to the emergency shut-off switch. Simply use the old wires inside the conduit to pull a new 4-conductor low voltage cable. A new bell box is then installed above the spring-wound timer, and a short piece of conduit interconnects the two boxes. At the equipment pad, wiring the filter and jet pumps to the power center completes the installation.

For spas with two jet pumps, an optional relay kit is added to the system. The two jet pumps can be wired together, or an additional spring-wound timer may be installed for the second pump.

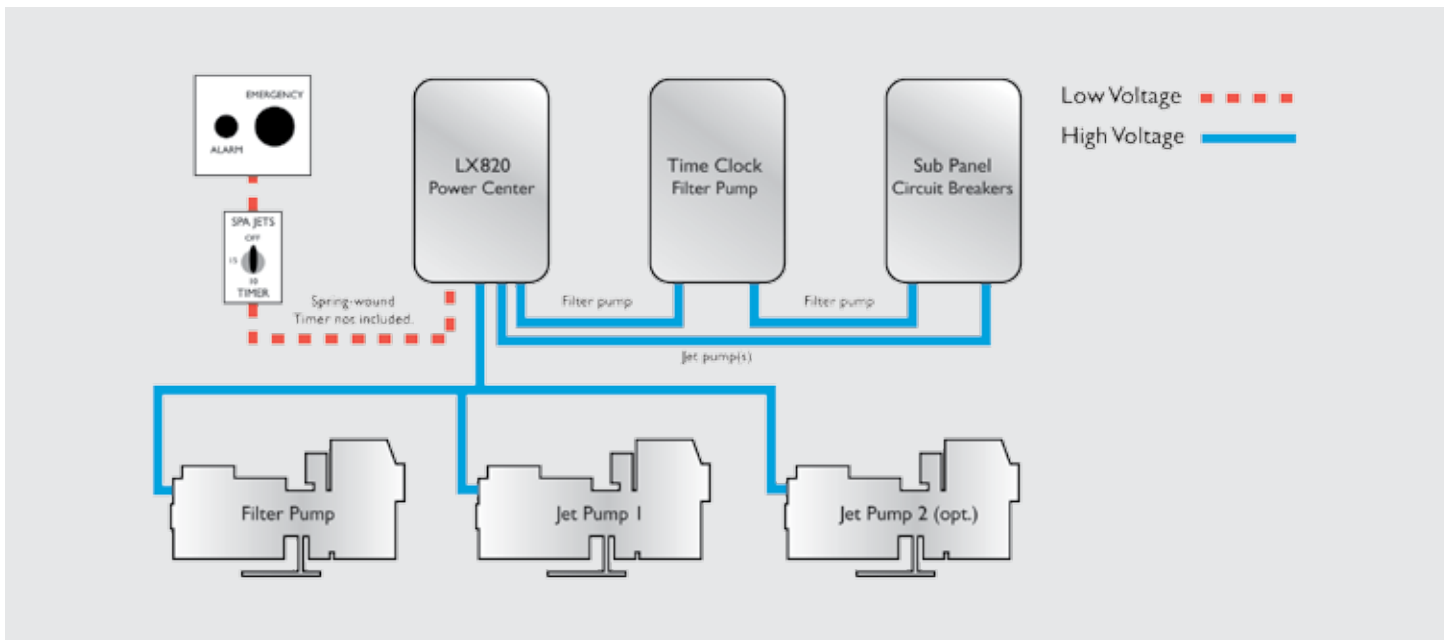
Unlike units created from multiple parts, the LX820 controller has a very professional look, and is UL Listed as a complete system.

### STANDARD FEATURES

---

- Filter Pump and Jet Pump #1 Shut-Off.
- Optional Jet Pump #2 Shut-Off.
- Extra large emergency switch.
- Low voltage operation for increased safety.
- LED status indicators.
- UL Listed.
- One-year limited warranty. See warranty for details.

# COMPOOL® LX820 CONTROLLER EMERGENCY SHUT-OFF SYSTEM



## LX820/2 Controller Includes

- LX820 Power Center (2 power relays)
- ES02 Emergency shut-off switch with alarm

## Accessories

- RLYSC Additional relay kit for third motor
- 520199 Hook-up cable
- 2COND Hook-up cable for additional timer/switch
- ES02 Additional emergency switch with alarm

## Power Relay Allocation

- Relay #1: Spa filter pump
- Relay #2: Jet booster pump
- Relay #3: (Optional) Second jet pump, air blower, or filter pump (see note)

Note: Relay #3 can be operated from the same spring-wound timer that controls Relay #2, or from a second spring-wound timer. An additional pair of wires is required from the Compool LX820 controller power center to the second spring-wound timer. Maximum number of power relays is three.

## Emergency Shut-Off Switch

- Voltage: 24 VDC
- Size: 4"W x 4"H. Mounts in a double gang bell box (not included)
- Type: Alternate action plastic push button, push to shut off, pull to reactivate
- Color: White plate with red print and button

## Power Center

- Voltage: 115/230 VAC, field selected
- Current: 20 AMP, 3 HP per relay @230V
- Size: 9"W x 10.25"H x 5"D
- Material: Glass-filled polycarbonate

## LED Status Indicators

- Power on
- Filter enabled
- Jet 1 enabled
- Jet 2 enabled
- Emergency switch off (pushed in)



1620 HAWKINS AVE, SANFORD, NC 27330 800.831.7133 WWW.PENTAIRCOMMERCIAL.COM

All Pentair trademarks and logos are owned by Pentair or one of its global affiliates. Compool® is a registered trademark of Pentair Water Pool and Spa, Inc. and/or its affiliated companies in the United States and/or other countries. Because we are continuously improving our products and services, Pentair reserves the right to change specifications without prior notice. Pentair is an equal opportunity employer.

