

# INTELLICENTER® CONTROL SYSTEM PERSONALITY AND EXPANSION CARD INSTALLATION GUIDE

## IntelliCenter Control System Personality Expansion Cards

The IntelliCenter Control System can be configured for single, shared or dual body equipment. The base configuration is the i5P (a filter pump circuit plus four auxiliary circuits for a single body of water). By adding a Personality Expansion card, the system can be expanded to support additional capacities and configurations. An example of a fully loaded IntelliCenter Control System would be:

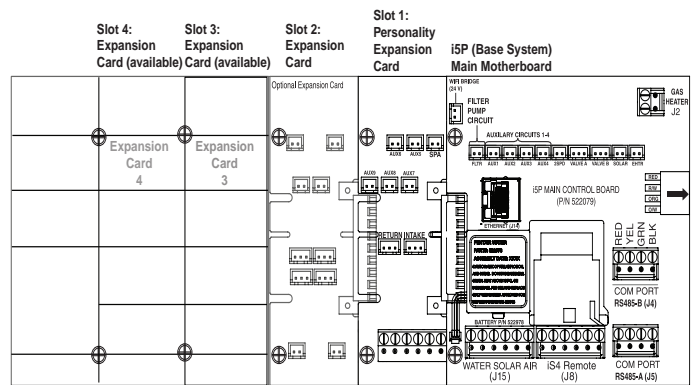
### i5P Main Motherboard

- Slot 1: i10PS Personality Expansion Card.  
Note: Personality Expansion cards **MUST** always be installed in SLOT 1.
- Slot 2: Valve Expansion Card
- Slot 3: Pool Cover Expansion Card
- Slot 4: Available for future use

### IntelliCenter Control System Personality Expansion Cards

#### Part Numbers:

P/N 523050	i5P Motherboard, Single Body
P/N 523051	i5X Expansion Motherboard
P/N 522997Z	i10X Expansion (requires i5X)
P/N 521936Z	i5PS, Shared Equipment
P/N 521977Z	i8P, Single Body
P/N 521968Z	i8PS, Shared Equipment
P/N 521993Z	i10P, Single Body
P/N 521873Z	i10PS, Shared Equipment
P/N 523029Z	i10D, Dual Equipment
P/N 522038Z	Valve Expansion Card
P/N 522039Z	Pool Cover Card (supports two covers)



IntelliCenter Control System (i5P Main Motherboard)

## INSTALLATION SUMMARY STEPS

1. Access the Main Motherboard in the Load Center or Power Center (see page 2).
2. Install the Personality Card in SLOT 1 next to the Main Motherboard (see page 3).
3. Use the Setup Wizard to configure the system (see IntelliCenter User's Guide (P/N 522990)).

### Personality and Expansion Card Slot Assignment Order

**Slot 1** is only used for a Personality Card such as: **i5PS, i8P, i8PS, i10P, i10PS, or i10D**. If no Personality card is being used, Slot 1 can be used for a Pool Cover card or Valve Expansion card. Note: Only one Personality Expansion card can be installed.

**Slot 2, Slot 3 and Slot 4:** These Expansion card slots are available for any remaining Expansion cards in any order, including the Pool Cover Expansion card or Valve Expansion card.

Note: Slot assignment order is the same for IntelliCenter Expansion enclosures.

## Access the Outdoor Control Panel in the Load Center or Power Center



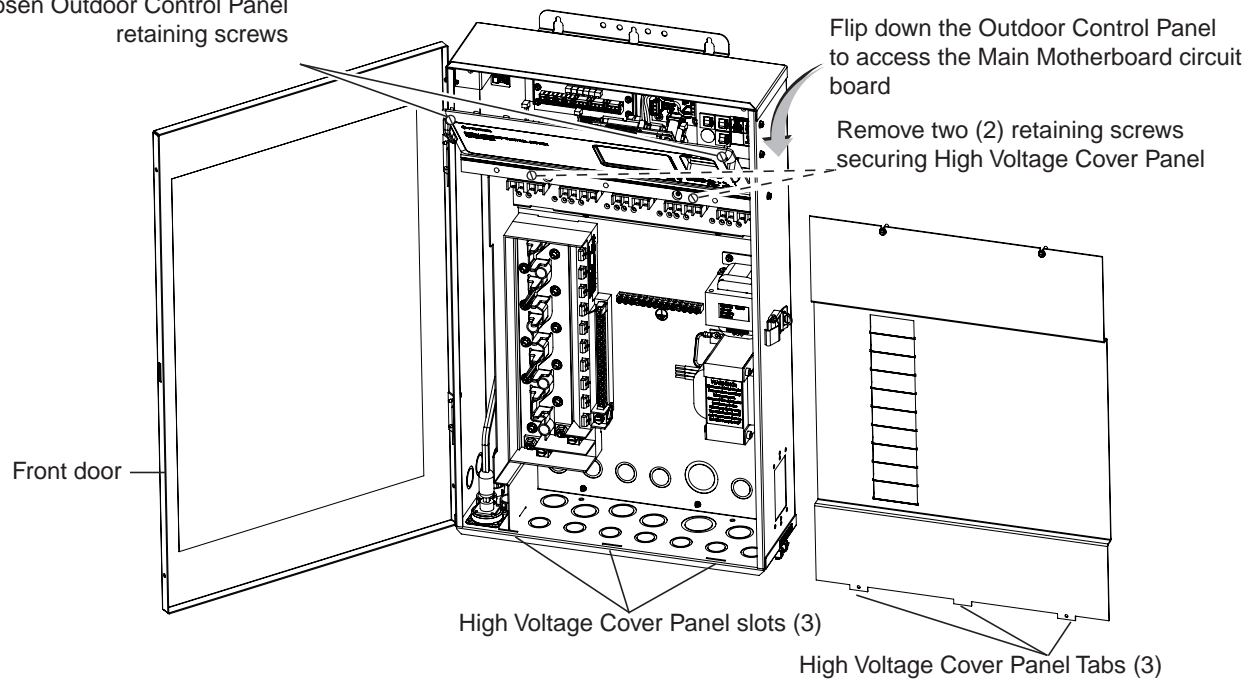
**BEFORE INSTALLING AN EXPANSION OR PERSONALITY CARD ALWAYS SWITCH OFF AC POWER TO THE LOAD AND/OR POWER CENTER AT THE MAIN HOUSE CIRCUIT BREAKERS.**

The IntelliCenter® Control System Main Motherboard Outdoor Control Panel is located in the top part of the Load Center or Power Center enclosure.

To access the Main Control Panel Motherboard:

1. Unlatch the front door spring latch and open the front door of the Load Center enclosure.
2. Loosen the two (2) retaining screws securing the high voltage cover-panel. Remove the HIGH VOLTAGE COVER PANEL from the enclosure (as shown below).

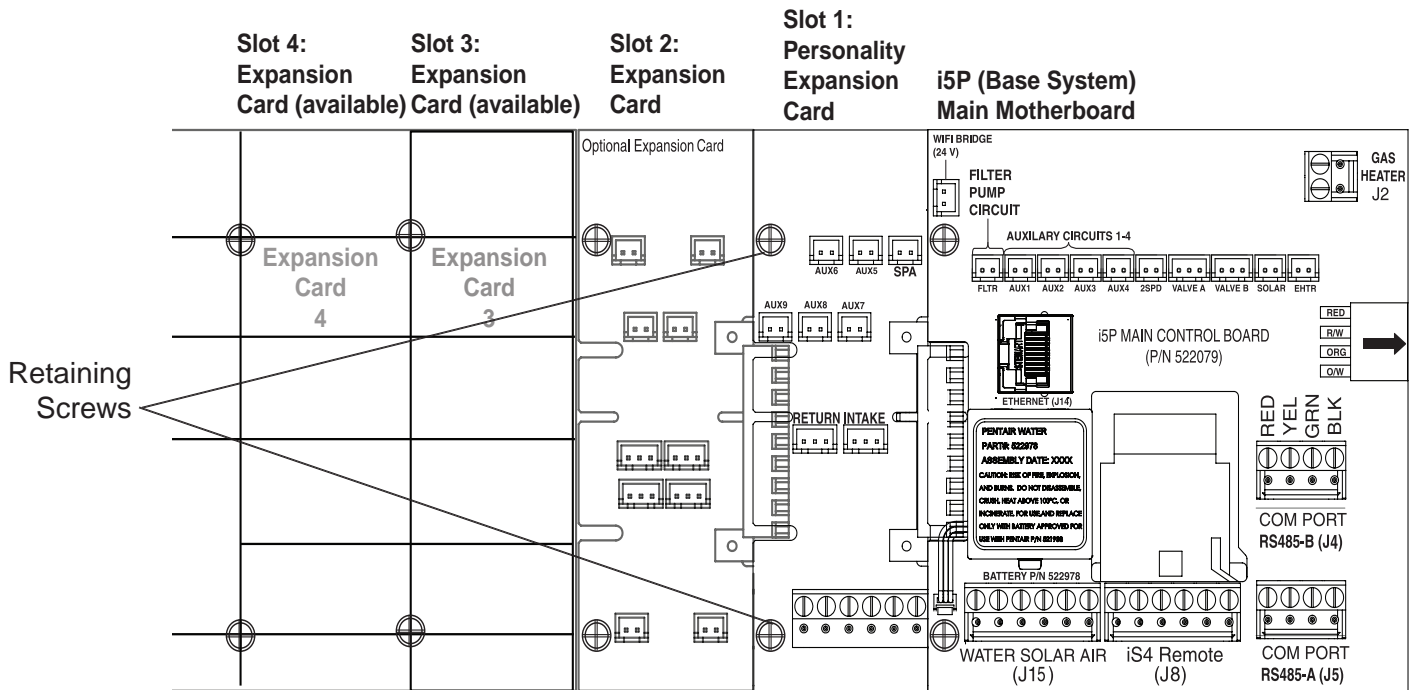
Loosen Outdoor Control Panel retaining screws



IntelliCenter™ Load Center Control System Load Center (front view)  
(High Voltage Cover Panel removed)

3. **Install an Expansion and/or Personality Card onto the Main Motherboard (See page 3):**
4. Carefully align the card edge connector (component side facing up) with the card edge pins on the other card. Slide the Expansion card onto the Motherboard's edge connector.
5. Secure the card in place with the two retaining screws (provided in kit).

## Access the Outdoor Control Panel in the Load Center or Power Center (Continued)



IntelliCenter® Control System with i5P (Single Body P/N 523050) Main Motherboard with Optional Personality Card in Slot 1 and Optional Expansion Card in Slot 2. Slot 3 and 4 are available (rear bezel view)

- When finished, close the hinged control panel and secure it with the two retaining screws. Reinstall the High Voltage Panel and insert the panel's three tabs into the lower slots on the enclosure. Secure the panel with the two (2) retaining screws. Close the front door and secure with the latch. See page 2 for illustration).



1620 HAWKINS AVE., SANFORD, NC 27330 • (919) 566-8000  
10951 WEST LOS ANGELES AVE., MOORPARK, CA 93021 • (805) 553-5000  
[www.pentair.com](http://www.pentair.com)

All Pentair trademarks and logos are owned by Pentair or by one of its global affiliates. IntelliCenter® is a trademarks of Pentair Water Pool and Spa, Inc. and/or its affiliated companies in the United States and/ or other countries. Because we are continuously improving our products and services, Pentair reserves the right to change specifications without prior notice. Pentair is an equal opportunity employer.

© 2020 Pentair.. All rights reserved. This document is subject to change without notice.

