

POWERclean

ULTRA VS

CHLORINATORS FOR VARIABLE SPEED SYSTEMS



CMP POOL PRODUCTS

www.c-m-p.com

THE HIGH FLOW CHLORINATOR ENGINEERED FOR VARIABLE SPEED PUMPS

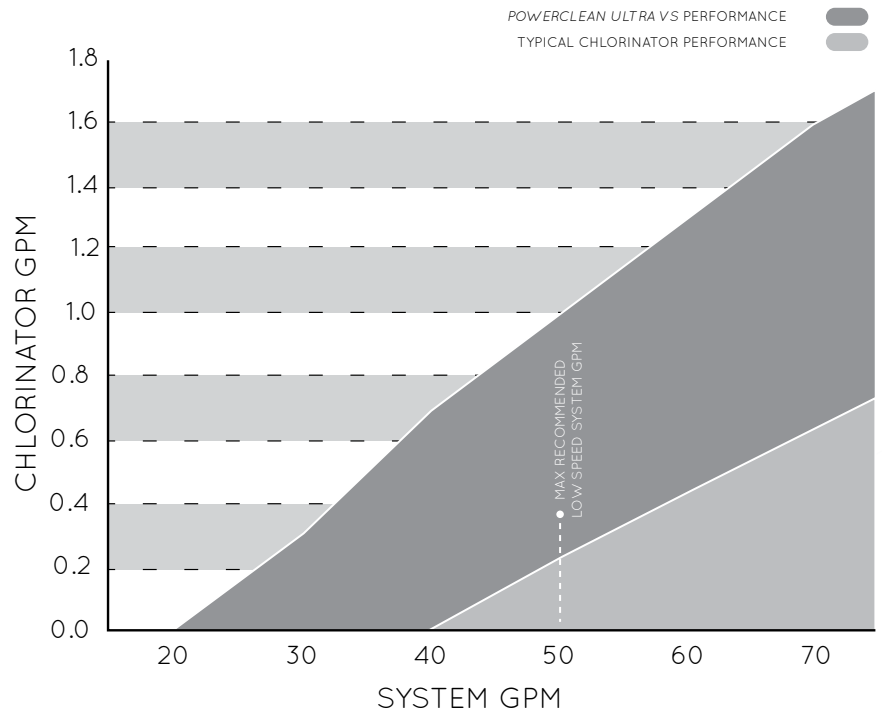
You've given us feedback on variable speed pumps, and we've been listening. Variable speed systems are great for energy efficiency, but not for your chlorine flow. Introducing Powerclean Ultra VS™: the new chlorinator family and upgrade kit capable of maintaining high chlorine flow GPM on a low flow variable speed system.

VARIABLE SPEED ENGINEERING

- High performance at low GPM
- Increases flow rate over the chlorine tablets in a low flow variable speed system
- Quick installation or removal of VS option with no tools required
- Available in Powerclean Ultra and Econ models
- VS Kit also available for CMP retrofit upgrades
- High chlorine flow between 20 and 50 GPM system flow rate
- Creates high chlorine flow without elevated

POWERCLEAN ULTRA FEATURES

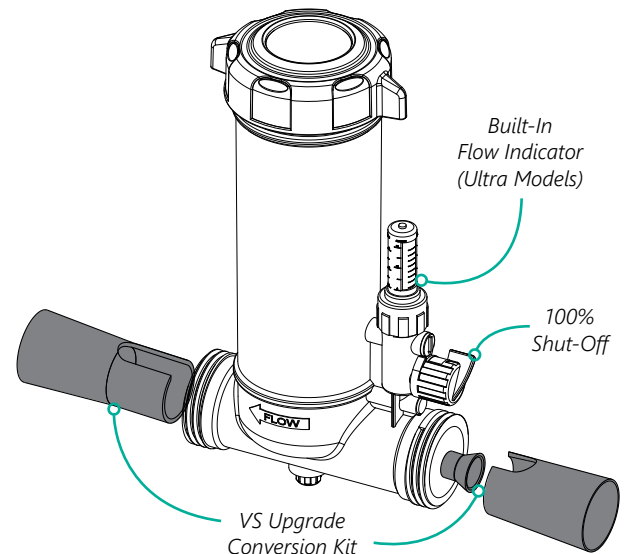
- IMPROVED Rapid-Dissolve Tube Design
- Treat Pools from 5,000-50,000 Gallons
- All Piping is Inside the Unit to Eliminate Leaks
- Holds Twelve 3" Tablets or 5lbs of 1" Tablets
- Glass Lid Option for Easy Service
- Superior 100% Shut-Off Dial
- Built-In Flow Indicator for Easy Adjustment
- Bottom Drain Plug
- 1.5" & 2" Unions Included for Quick Disconnect



ORDERING GUIDE

| CMP P/N | DESCRIPTION | BOX QTY |
|--|--|---------|
| POWERCLEAN VS CHLORINATOR AND ACCESSORIES | | |
| 25280-150-000 | POWERCLEAN ULTRA VS IN-LINE, CLEAR GLASS LID | 1 |
| 25280-160-000 | POWERCLEAN ULTRA VS IN-LINE, WHITE LID | 1 |
| 25280-170-000 | POWERCLEAN ECON VS IN-LINE | 1 |
| 25280-107-100 | POWERCLEAN VS UPGRADE CONVERSION KIT | 6 |

WARNING: NEVER MIX CHLORINE AND BROMINE. ALWAYS FOLLOW ALL SAFETY GUIDELINES INCLUDED IN PRODUCT INSTRUCTIONS.



There is a Powerclean designed for every residential pool. To find the one that meets your needs, visit C-M-P.COM/POWERCLEAN.



POOL | SPA | BATH
CS@c-m-p.com | www.c-m-p.com

