

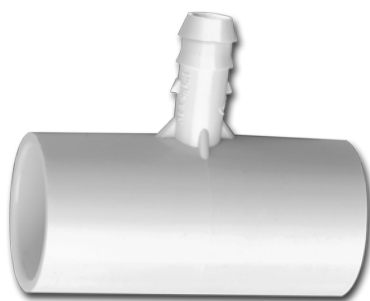
KwikSlip™

Professional Quality

Reliable, one-piece glue fittings designed for seamless connections between PVC and Swing or Drip pipe. It eliminates the need for threaded elbows and tees, making installations faster and more efficient.

Features

- No threads to leak
- Saves on labor costs
- Reduces inventory needs
- Durable barb & spike design
- Manifold Cross & Tee reduces number of labor consuming manifold assemblies per job



Tee x Swing



Tee x 17 mm Drip



KwikSlip™ “Y” Tee x Swing

Watch the Video

Scan this QR code to watch the video



Ordering Information - KwikSlip™ “Y” Tee x Swing

Description	Part Number	Pack Quantity	Units Per Carton
3/4” “Y” to Swing	SY-007	10	250
1” “Y” to Swing	SY-010	10	250

Ordering Information - KwikSlip™ Tee x Swing

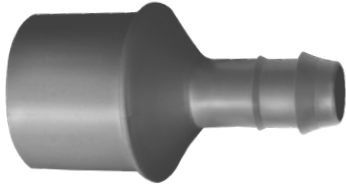
Description	Part Number	Pack Quantity	Units Per Carton
3/4” Tee to Swing	ST-007	10	250
1” Tee to Swing	ST-010	10	250
1/2” Tee to Swing	ST-005	25	250

Ordering Information - KwikSlip™ Tee x 17 mm Drip

Description	Part Number	Pack Quantity	Units Per Carton
3/4” Tee x 17 mm Drip	STD17-007	10	250
1” Tee x 17 mm Drip	STD17-010	10	250



Spigot x Hub x Swing



Spigot x Hub x 17 mm Drip



Manifold Cross 1"



Manifold Tee 1"

KwikSnap™
Professional Quality



Snap-On Saddle

Ordering Information - KwikSlip™ Spigot x Hub x Swing

Description	Part Number	Pack Quantity	Units Per Carton
1" Spigot x 3/4" Hub to Swing	SC-131	10	250
1 1/4" Spigot x 1" Hub to Swing	SC-168	10	250
3/4" Spigot x 1/2" Hub to Swing	SC-101	25	250

Ordering Information - KwikSlip™ Spigot x Hub x 17 mm Drip

Description	Part Number	Pack Quantity	Units Per Carton
3/4" Spigot x 1" Hub to 17 mm Drip	SCD17-131	10	250
1 1/4" Spigot x 1" Hub to 17 mm Drip	SCD17-168	10	250

Ordering Information - Manifold Cross

Description	Part Number	Pack Quantity	Units Per Carton
1" Cross - Standard 1" Male Pipe Thread	D421	10	200

Made of virgin PVC compounds to schedule 40 strength

Ordering Information - Manifold Tee

Description	Part Number	Pack Quantity	Units Per Carton
1" Tee - Standard 1" Socket for Solvent Weld	D402	10	200

Made of virgin PVC compounds to schedule 40 strength

KwikSnap™ is a glue-on PVC Y Saddle for 3/4" and 1" PVC, featuring a 30° molded outlet to prevent kinking in swing pipes—simplifying installation with a single fitting.

Ordering Information - KwikSnap™ Snap-On Saddle

Description	Part Number	Pack Quantity	Units Per Carton
Snap-On Saddle 3/4" "Y" to Swing	KSY-007	25	250
Snap-On Saddle 1" "Y" to Swing	KSY-010	25	250