



evoqua

WATER TECHNOLOGIES

BARRIER™ TI
ULTRAVIOLET
TREATMENT SYSTEM

**CLEAN, HIGH QUALITY
WATER FOR POOLS, SPAS,
PONDS, AND WATER
FEATURES**





Introducing the newest member to our trusted ETS-UV™ product portfolio, the Barrier™ Ti UV System. Constructed from titanium for advanced corrosion resistance, this low pressure system offers dependable and user-friendly secondary disinfection for aquatics applications.

The Barrier Ti UV System complements chlorine disinfection by inactivating chlorine resistant microorganisms such as Cryptosporidium. Provide a satisfying guest experience with clean, high quality water.

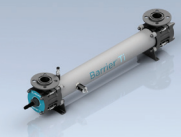


WHY USE A BARRIER TI UV SYSTEM?

- Improve water quality for a superior bather experience
- Protect against chlorine resistant pathogens
- Save time with easy maintenance and operation
- Achieve long term reliability and durability

MARKETS

- Hotels and resorts
- Swim schools
- Ponds and water features
- Small aquatic facilities

AVAILABLE MODELS

			
Models	TI-1200-4	TI-2200-8	TI-4200-8
Qty of Lamps/ UV Lamp Power	1x200w	2x200w	4x200w
Flow Capacity	Up to 132 gpm	Up to 330 gpm	Up to 506 gpm
Diameter of Chamber	4"	8"	8"
Total Height/ Length	43"	44"	44"
Inlet/Outlet Diameter	2"	4"	4"

PRODUCT LINE SPECIFICATIONS

Power Input	110-240 VAC
Housing	Titanium + Polypropylene
Ballast	Electronic
Lamp	Low Pressure Amalgam
Limited Warranty	5 years
Plumbing Options	Flanged

Evoqua Barrier Ti UV disinfection generator systems undergo third-party validation testing in accordance with NSF/ANSI 50. Validated products are tested to confirm a minimum inactivation equivalent of 3 log (99.9%) for *Cryptosporidium*, *Pseudomonas aeruginosa*, and *Enterococcus faecium*. Performance limitations depend on feed conditions, overall installed system design, and operation and maintenance processes; please refer to Operations Manuals. For more information: contactus@evoqua.com.

Robust & Reliable

Durable, well engineered design for a long service life

Flexible Installation

- Configurable inlet/outlet
- Vertical or horizontal orientation

Corrosion Resistant

Titanium + UV stabilized polypropylene (PP) body

Simple Maintenance & Operation

- Common consumables across model range
- Specialized tools and training not required



Certified to
NSF/ANSI/CAN 50

NSF-50 3-Log Crypto Certified for Secondary Disinfection

Inactivates 99.9% Cryptosporidium in a single pass

Barrier™ Ti UV System: A Closer Look



Delivering clean water & simplicity in operation

NSF-50 3 LOG CRYPTO CERTIFIED

- Validated and proven system for inactivation of 99.9% Cryptosporidium in a single pass
- For compliance peace of mind, certified to both the Supplemental Disinfection and the stricter Secondary Disinfection standard

ROBUST & RELIABLE

- Durable, well-engineered design for a long service life
- 5-year warranty (subject to terms and conditions)

CORROSION RESISTANT

- Body constructed of titanium and UV stabilized PP to offer unmatched corrosion protection in the industry

EASE OF SERVICE & MAINTENANCE

- Simple and flexible installation reduces start-up and maintenance time

SIMPLE SPECTRA CONTROL WITH ONLINE REMOTE MONITORING



- User-friendly operation with high level functionality and ease of service
- **Variable Power:** System automatically regulates lamp output to deliver the exact UV dose you need, when you need it
- **Low Power Mode:** Use an external switch or daily time scheduling to turn the system down to the lowest power setting during off peak or non-operating hours
- **Interlock with Spray Features:** Use available integration options to control flow only when the UV system is operating and providing the proper disinfection UV dose, optional remote alarm module available
- **Data Logging:** Internal or online. Log in to view system status, operating parameters and historical runtime data
- Full system control and monitoring also available through Modbus® or ETS-UV™ remote data site

TRANSFORMING
WATER
— ENRICHING —
LIFE



558 Clark Rd, Tewksbury, MA 01876

+1-877-885-4628 evoqua.com

Evoqua, Evoqua logo, ETS-UV, and Barrier are trademarks of Evoqua Water Technologies LLC, its subsidiaries and affiliates in some countries. All other trademarks are those of their respective owners.

Photos do not necessarily depict a facility that incorporates an Evoqua product.

Disinfection performance will vary based on product, system design, facility operating conditions, water quality, and maintenance protocols. Refer to product, system, installation, and validation documentation for details.

All information presented herein is believed reliable and in accordance with accepted engineering practices. Evoqua makes no warranties as to the completeness of this information. Users are responsible for evaluating individual product suitability for specific applications. Evoqua assumes no liability whatsoever for any special, indirect or consequential damages arising from the sale, resale or misuse of its products.

© 2024 Evoqua Water Technologies LLC Subject to change without notice AQ-BARRIERTI-BR-0824