

maelstrom™

CMS-1



The most **reliable** circulation pump
is now also the most **efficient**
More efficiency means moving more water with less energy!



Efficiency

We've put all our engineering knowledge at work to offer the best efficiency on the market. Thanks to all the skills and expertise Gecko acquired over the years, this pump offers outstanding performance in a compact design. With its superior efficiency, the Maelstrom CMS-1 circulates up to 30% more water in the same period, and thus, reduces the filtration cycle.



Quietest

When it's time to kick back and relax in the backyard, the amazingly low 44dB generated by the CMS-1 makes it as quiet as a gentle rain.



Smallest

Gecko went the extra mile to make sure our new CMS-1 is the smallest of its category! This pump takes up to 23% less space than our closest competitor's pump. Easy to use with our unique and simple mounting bracket, which allows the user to multiply his options when positioning the pump.



0.2/0.12 hp - 1 speed

Model: CMS-1-V256-0.2-1

Generic part number: 0800-600000



Electrical/Hydraulic

Model	Pin (Watt)	hp out	Input Rating	Frame Size	A	H ^{MAX}	Q ^{MAX}
60Hz	230W	0,2	220-240V	IEC 56	1	12,5 ft / 3,81 m	85 GPM / 320 LPM
50Hz	200W	0,12	220-240V	IEC 56	0,8	8,3 ft / 2,53 m	70 GPM / 260 LPM

Weight: 12 lb (5.44 kg)

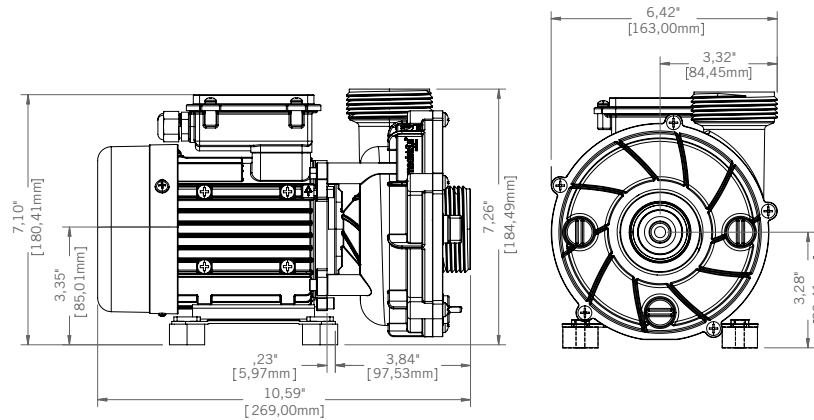
Specifications:

- Longer life capacitor with high temp. 85°C
- High ambient temperature run rated 60°C
- Maximum water temperature 50°C
- Sealed bearing
- Construction
 - High speed: PSC
- Seal: Gecko high quality Universeal
- 1,5" intake and discharge
- Insulation Class F thermally protected
- UL approval E62386
- Foot removable
- 1,5" to 2" adaptor available

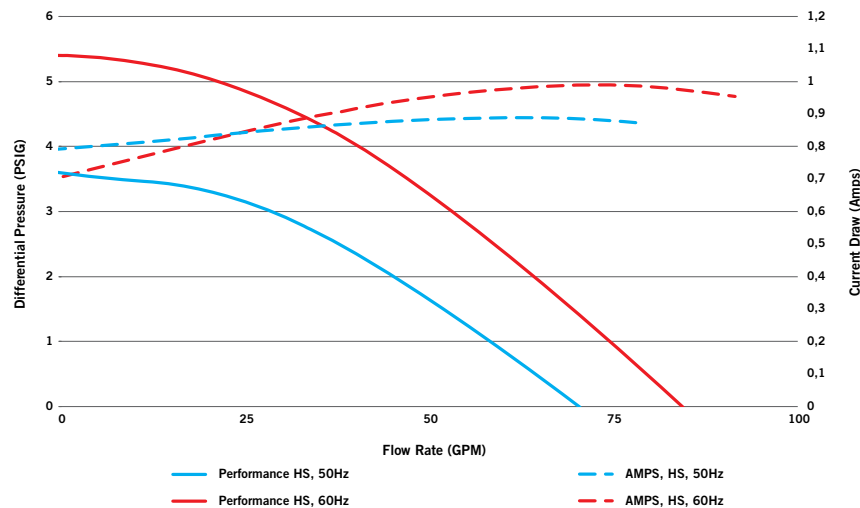
Standard version includes:

- Tailpiece (2)
- Three wing nut drain plugs
- 96" cable with AMP plug
- Wet end position at 0 o'clock

Dimensions



Performance Curves



maelstrom™

450 des Canetons, Quebec City, QC Canada G2E 5W6, 800.78.GECKO, info@geckoal.com
 www.geckoalliance.com www.geckopumps.com