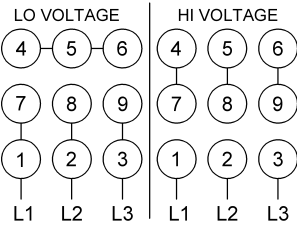
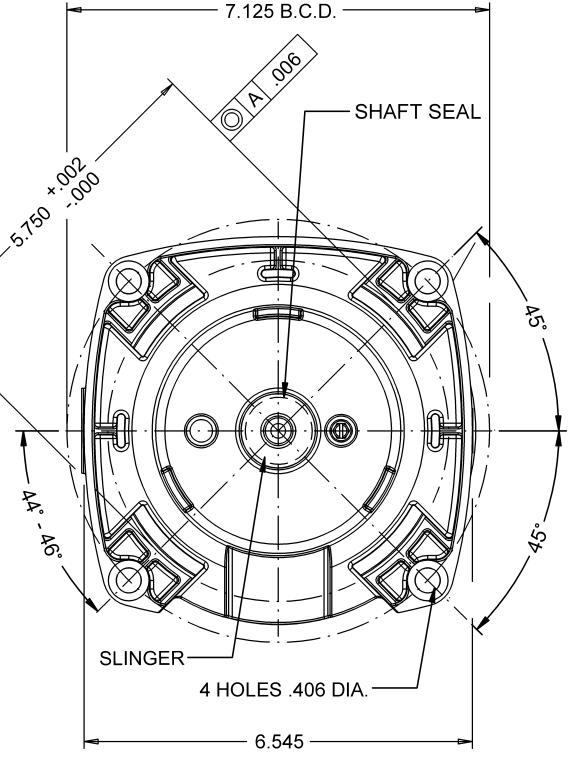
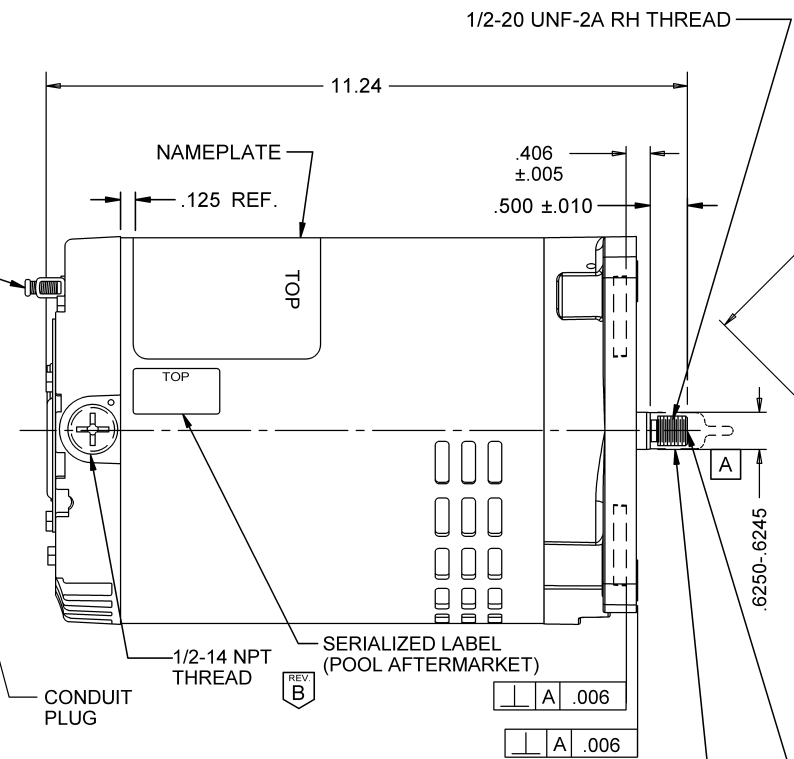
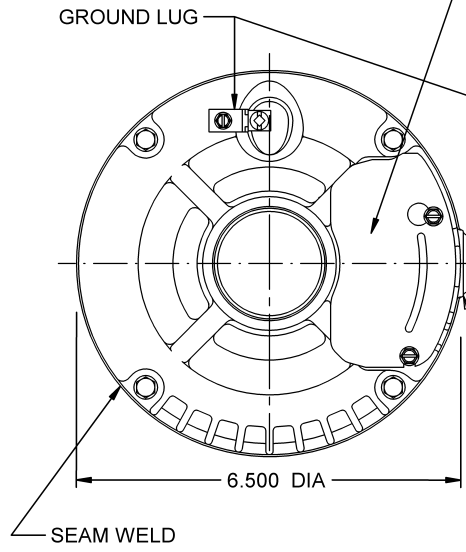


9 LEADS TO EXTEND 4.000 +2.000, -0.000 INCHES BEYOND TERMINAL COVER AND TUCKED UNDER TERMINAL COVER. WRAP WITH A CABLE TIE. LEADS TO BE SKINNED .750



TO REVERSE ROTATION, INTERCHANGE ANY TWO LINE LEADS.  
 WITH ABC PHASE SEQUENCE  
 PHASE A - LINE 1  
 PHASE B - LINE 2  
 PHASE C - LINE 3  
 ROTATION: CW LEAD END

- NOTES:  
 1.) MOTOR TO BE SHIPPED CONNECTED FOR 230 VOLTS (LO VOLTS)  
 2.) SHAFT EXTENSION 303 STAINLESS STEEL.

MODEL		REF	CUSTOMER	HP	VOLTS	AMPS	HZ	RPM	S.F.	S.F. AMPS	
P63GEK-4516			POOL AFTERMARKET	3/4	208-230/460		60/50	3450/2850	1.65/1.00	4.1-3.8/1.9	
SHEET NUMBER		REV	REVISION RECORD FOR: C7458-15						ROTATION	CUSTOMER PN	
1 OF 1		B	ADDED SERIALIZED LABEL.						CW LEAD END-REV	EH492	
REVISION DATE		INFORMATION DISCLOSED ON THIS DOCUMENT IS CONSIDERED PROPRIETARY AND SHALL NOT BE REPRODUCED OR DISCLOSED WITHOUT WRITTEN CONSENT OF NIDEC MOTOR CORPORATION									
24-APR-13		ALL DIMENSIONS ARE FOR REFERENCE ONLY UNLESS TOLERANCE IS GIVEN									
ISSUED BY		REVIEWED BY	ENGINEER APPROVED	TITLE				CODE	ITEM NO.	SIZE	
B. ANDRADE		J. SCHRADER	J. SCHRADER	ASSEMBLED VIEW				V01	770371	B	

NIDEC MOTOR CORPORATION 24-Apr-13