

Fastlane® Swim Fiberglass Pool Mounting Kit Supplemental Guide



Description

The Wall Mount Fastlane® Swim mounting kit for a fiberglass pool serves as a hanging system for the Current Unit and connection point for the PVC conduits that run under the pool deck to the remotely located Hydraulic Power Unit.

Mounting Kit Parts Diagram

PART	QTY	DESCRIPTION
A	2	Washer (cut from Mounting Bracket Template)
B	2	Threaded Rod
C	2	Bonding Clamp
D	2	Liquid Tight Fitting
E	2	1-1/2" (38mm) x 1" (25mm) Bushing Reducer
F	2	Thru-Wall Fitting
G	2	Rubber Gasket
H	2	Cork Gasket
I	2	Thru-Wall Fitting Locknut
J	2	1-1/2" (38mm) PVC Pipe (supplied locally)
K	6	Flat Washer
L	2	Lock Washer
M	6	Jam Nut

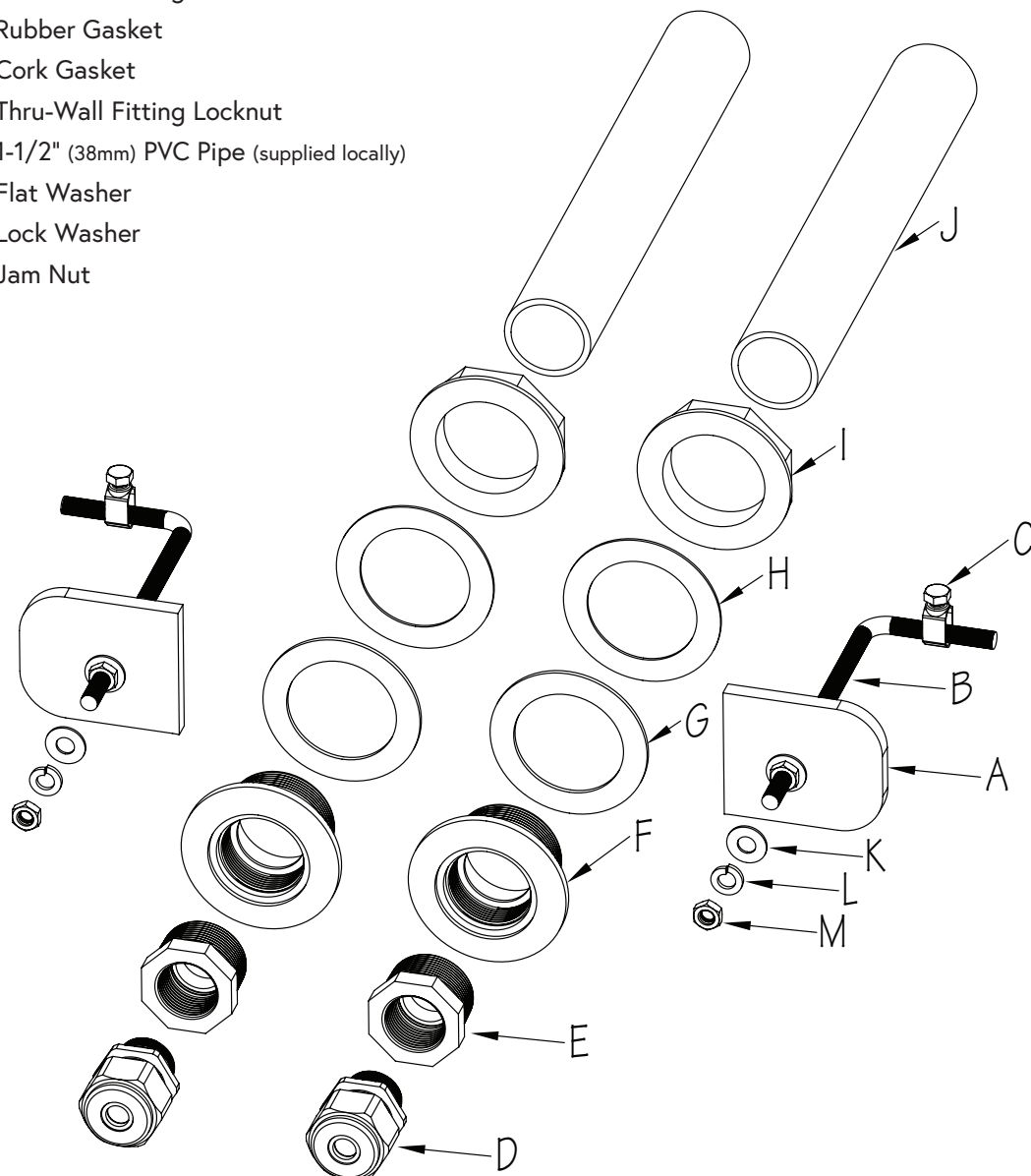


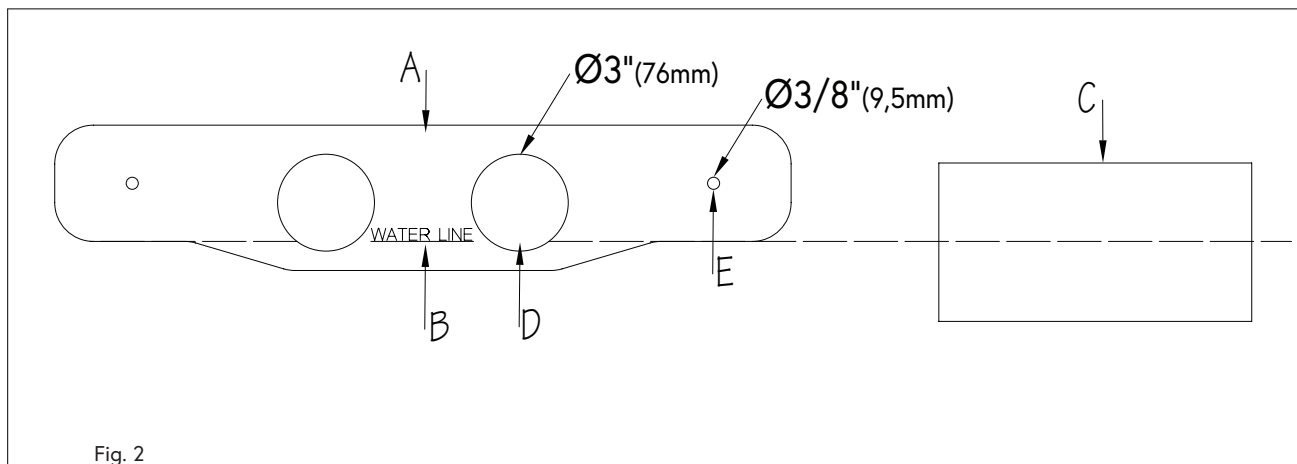
Fig. 1

Installation Instructions

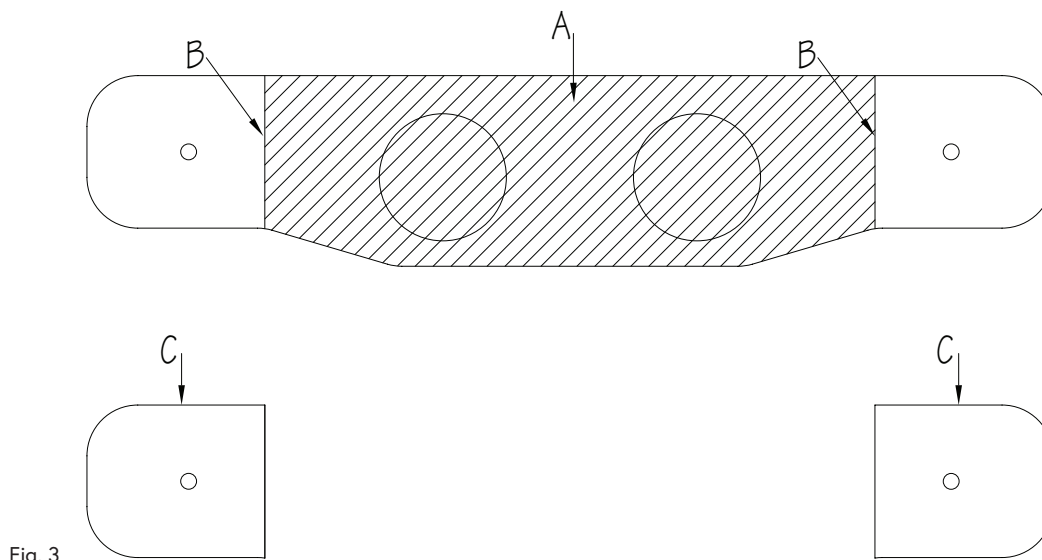
1. The Mounting Bracket (A) will serve primarily as a template to trace the holes that need to be drilled onto the fiberglass pool wall in the desired Fastlane® Swim mounting location.

The template MUST be positioned so that the "Waterline" marking (B), engraved into the bracket, sits along the pool's expected waterline, which will typically be located at the centerline of the skimmer (C). Be sure that the template is level and use duct tape to temporarily adhere the template to the pool wall.

Trace the outlines of the Thru-Wall holes (D) and mounting holes (E) onto the pool wall. Use a 2-1/2" (63,5mm) hole saw to cut the holes for the Thru-Walls and a 3/8" (9,5mm) drill bit to drill the mounting holes (Fig. 2).



2. Cut out the center portion of the Mounting Bracket (A) using the etched marks in the bracket (B) as a guide. The two end portions will be used as washers (C) on the backside of the fiberglass pool wall (Fig. 3).



Fastlane® Swim Fiberglass Pool Mounting Kit Supplemental Guide



3. Install a Jam Nut (A) and Flat Washer (B) onto each Threaded Rod (C) and then thread the rods into the Washers (D) cut from the template in the previous step (Fig. 4).

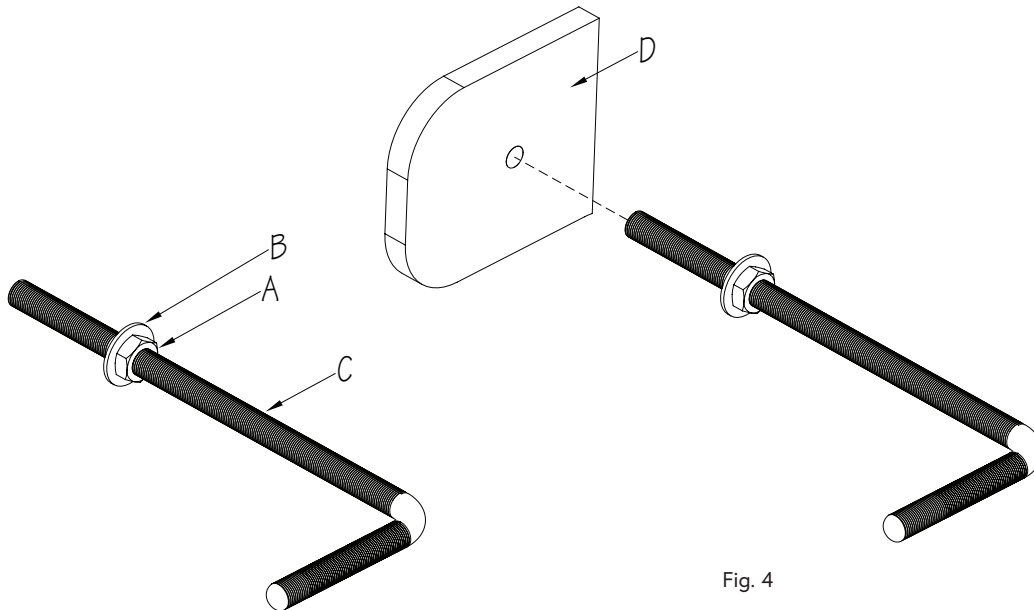


Fig. 4

4. From the backside of the pool wall (A), insert the rods into the mounting holes that were drilled, making sure the Washers (B) rest up against the wall. Adjust the lengths of the rods so that they protrude $1\text{-}1/4" \pm 1/8"$ ($32\text{mm} \pm 3\text{mm}$) into the pool (C). Install an additional Flat Washer (D) and Jam Nut (E) onto each rod from the inside of the pool to secure these assemblies to the pool wall (Fig. 5).

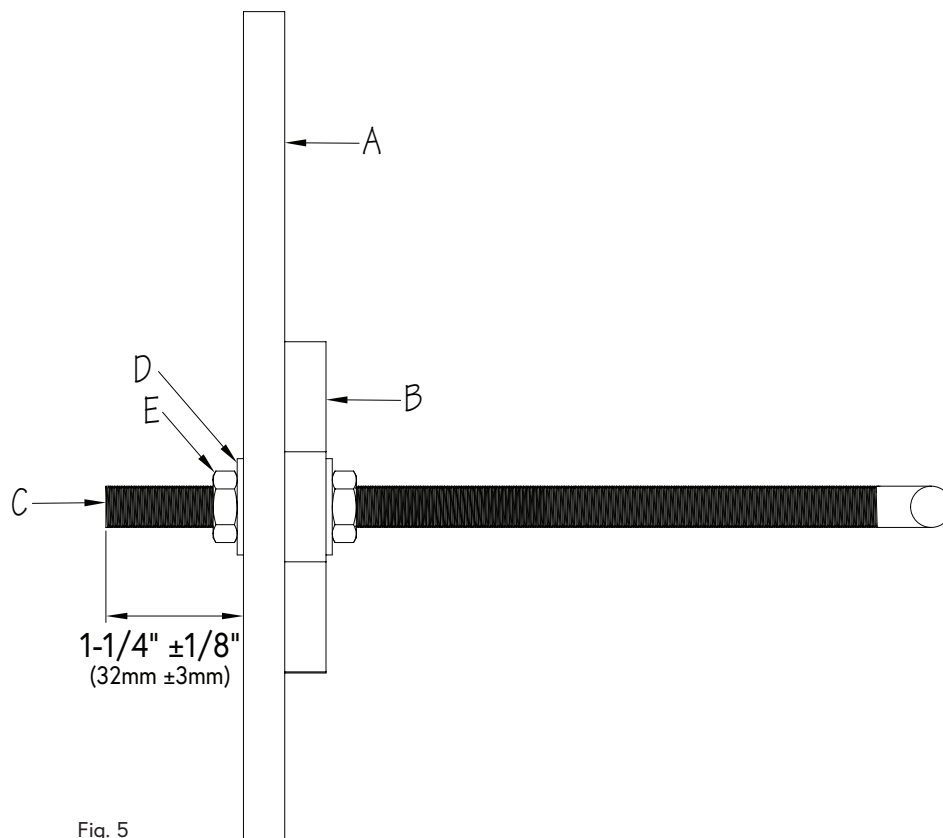


Fig. 5

Fastlane® Swim Fiberglass Pool Mounting Kit Supplemental Guide



5. Disassemble each Thru-Wall and discard one of the Rubber Gaskets. From the inside of the pool, insert the Thru-Wall Fittings (A) through the holes cut out in the pool wall, making sure there is a Rubber Gasket (B) between the fitting and pool wall. On the backside of the pool wall, install the Cork Gasket (C) onto the fitting and secure the fitting to the wall with the Locknut (D) (Fig. 6).

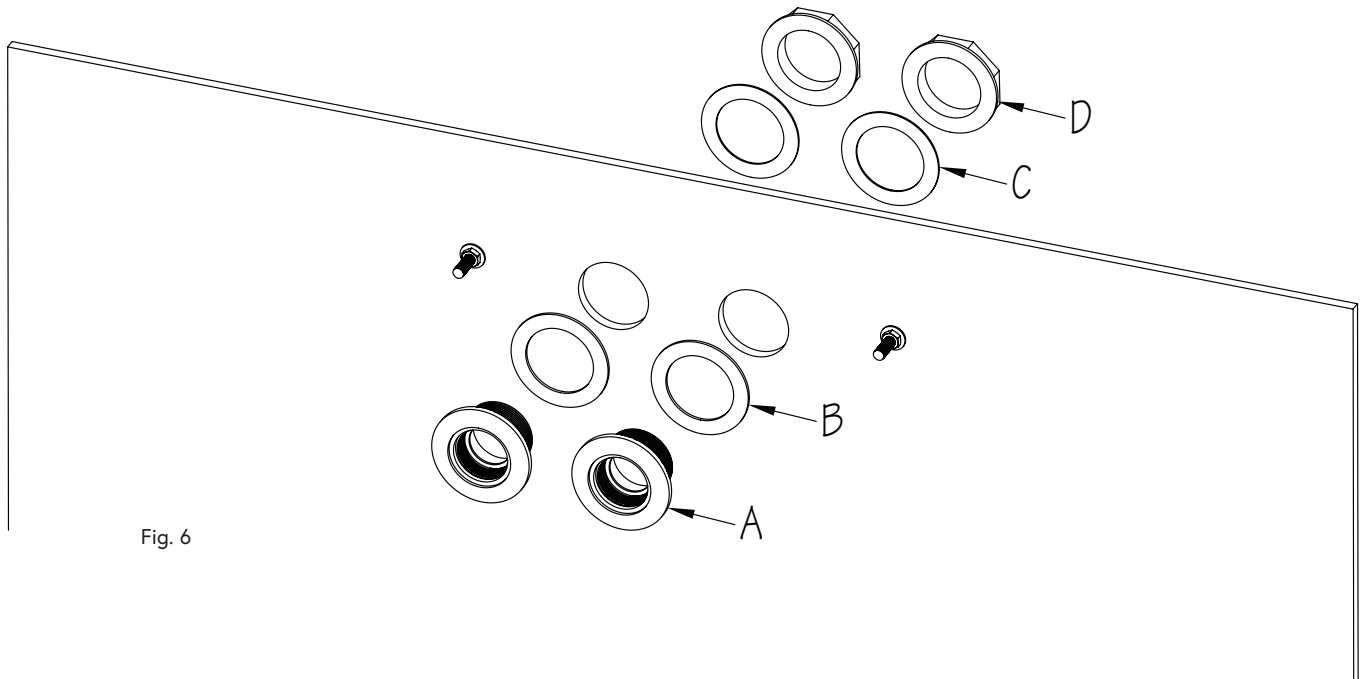


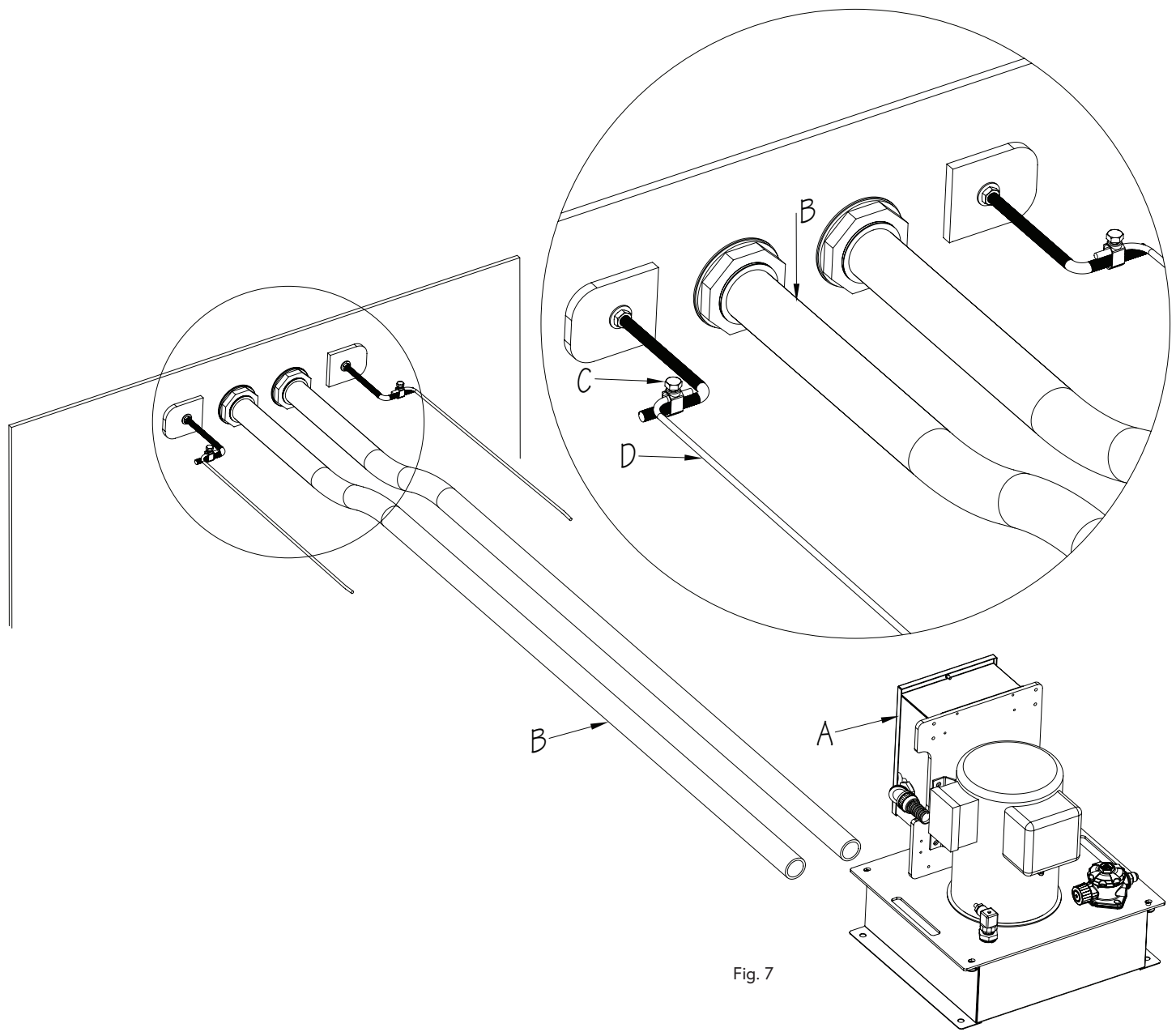
Fig. 6

Fastlane® Swim Fiberglass Pool Mounting Kit Supplemental Guide



- The location of the Hydraulic Power Unit (A) should be determined at this point in the installation. Unroll the lengths of 1-1/2" (38mm) flexible PVC Pipe (B) from the back of the pool wall to the Hydraulic Power Unit. **The conduit run MUST travel above the pool's waterline.** Any bends in the pipe MUST be gradual sweeps and not sharp bends to allow the hydraulic hoses to be easily fed through each conduit. Glue the PVC Pipes into the back of the Thru-Wall Fittings (Fig. 7).

The Threaded Rods MUST be tied into the pool's bonding grid. Install a Bonding Clamp (C) onto each rod. Attach a #8 Solid Copper Wire (D) to each Bonding Clamp and then run these wires to a connection that is incorporated into the pool's bonding grid (Fig. 7).



Fastlane® Swim Fiberglass Pool Mounting Kit Supplemental Guide



7. A Concrete Collar (A) is required to support the Current Unit. If using rebar in the pool's collar, tie the Threaded Rods (B) to the rebar grid using rebar ties. Prior to pouring the concrete, be sure that the openings of the Thru-Wall Fittings (C) and Threaded Rods (D) are covered. Concrete cannot be embedded in these areas.

Pour the collar around the top flange of the pool, encasing the Threaded Rods (B) and PVC Pipe (E) in place (Fig. 8).

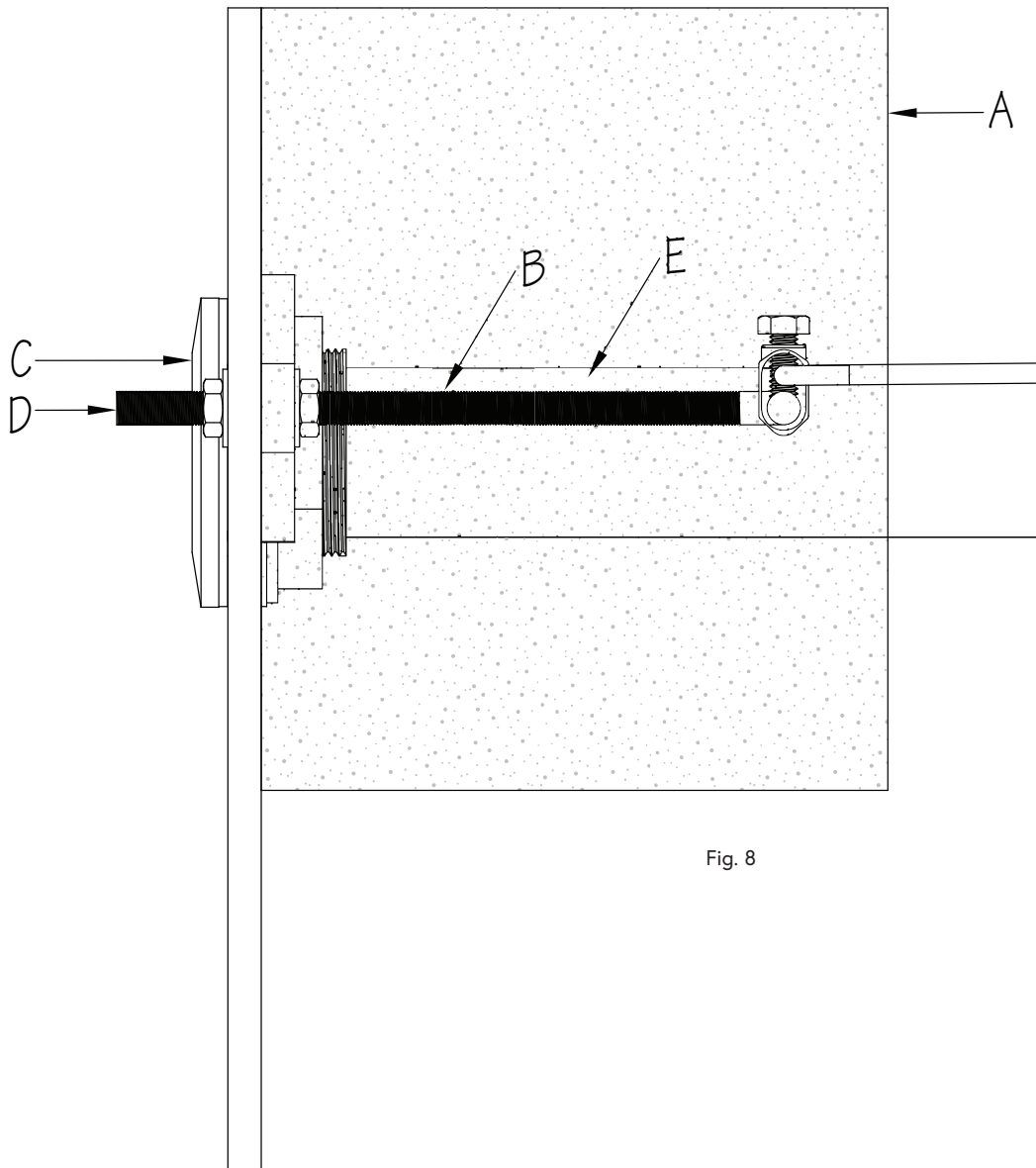


Fig. 8

Fastlane® Swim Fiberglass Pool Mounting Kit Supplemental Guide



8. Apply Teflon sealant to the threads of each Bushing Reducer (A) and then thread them into the Thru-Wall Fittings (B) (Fig. 9).

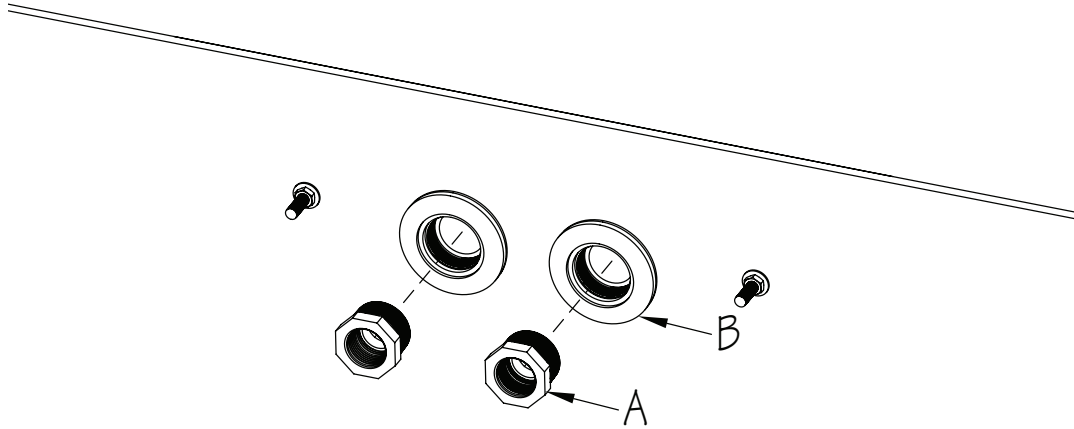


Fig. 9

9. The remaining mounting kit components will be installed when the Current Unit is being mounted to the pool wall. Refer to the Fastlane® Swim Owner's Manual for the assembly and installation of the Current Unit.