

# EPIC EDGE INSTALLATION GUIDE

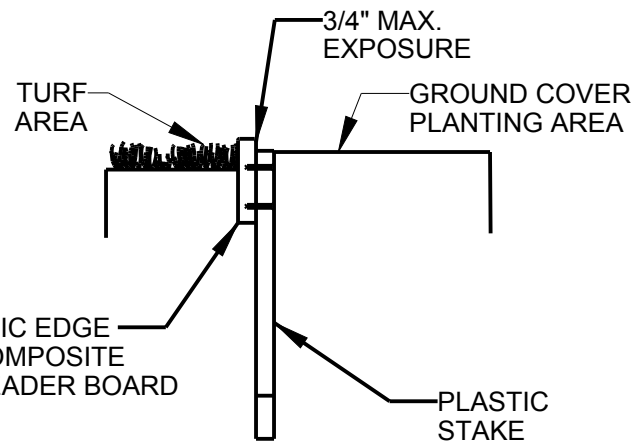
## 3 SELECT FROM OPTIONS BELOW TO CONNECT EPIC EDGE BOARDS

# EPIC EDGE CHARTS

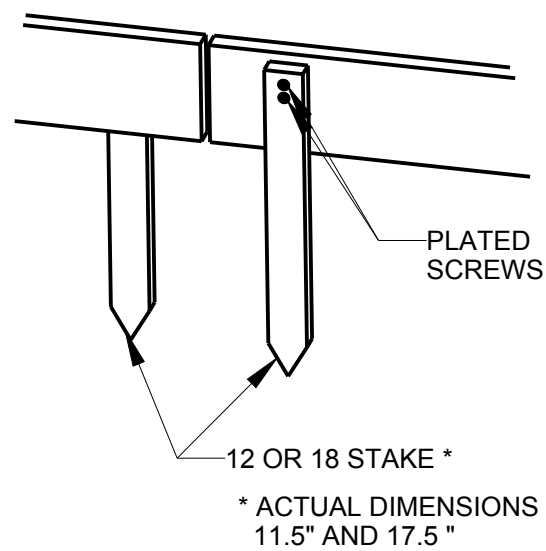
# ACCESSORIES CHARTS

EPIC EDGE composite header board is extruded from recycled plastic and wood generating edging material that delivers superior performance without sacrificing natural appearance. Strong, flexible and durable, EPIC EDGE allows you to define landscapes that are low maintenance, will not rot and will hold it's intended position. By following these simple steps you can achieve a professional installation.

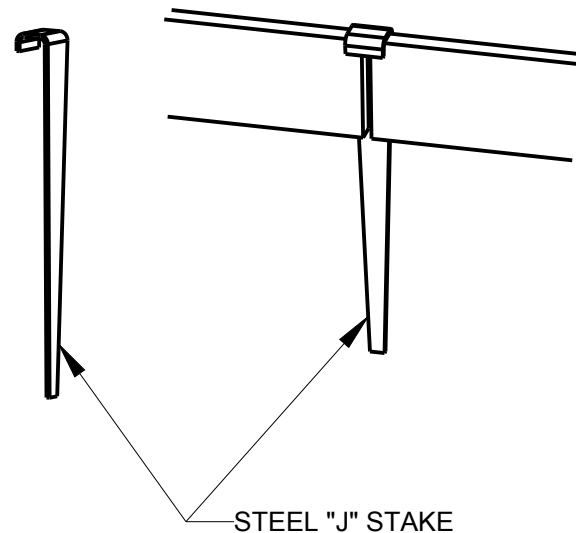
**1** DIG DOWN INTO THE GROUND. EXPOSE AS LITTLE BOARD AS POSSIBLE. 3/4" MAXIMUM RECOMMENDED. THIS REDUCES THERMAL EXPANSION.



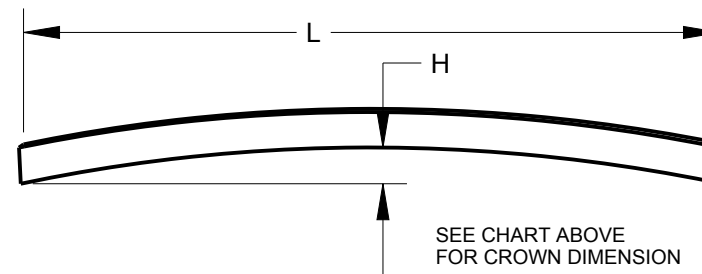
**3a** USE TWO STANDARD STAKES MOUNTED ON OPPOSING SIDES LEAVING A GAP FOR THERMAL EXPANSION. USE PLATED SCREWS TO JOIN BOARD TO STAKE.



**3b** USE A STEEL "J" STAKE LEAVING A GAP FOR THERMAL EXPANSION



DIMENSIONS			
NOMINAL DESCRIPTION	ACTUAL DIMENSION D x H x L	MIN. BEND RADIUS	MAX. CROWN H / L
4 X 20	.72in X 3.35in X 20ft 1.82cm X 8.5cm X 6.09m	36"	19" / 20'
6 X 20	.72in X 5.35in X 20ft 1.82cm X 13.58cm X 6.09m	36"	9" / 20'



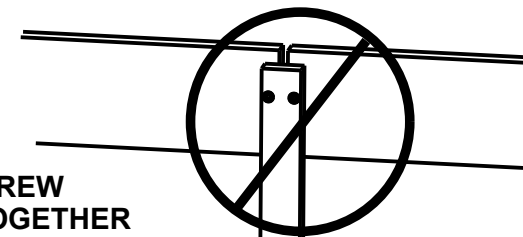
ORDER NUMBER AND COLOR		
NOMINAL DESCRIPTION	PRODUCT NUMBER	COLOR
4 X 20	100041851	CARMEL BROWN
6 X 20	100036756	

THERMAL GAP	
NOMINAL DESCRIPTION	THERMAL GAP
4 X 20	1/8"
6 X 20	

EPIC EDGE COMPOSITE BOARDS MUST BE ABLE TO EXPAND AND CONTRACT AS TEMPERATURES CHANGE. ALWAYS INSTALL WITH THE SPECIFIED GAP.



DO NOT SCREW BOARDS TOGETHER



## AVAILABLE ACCESSORIES FOR BENDA BOARD PLASTIC AND EPIC EDGE COMPOSITE BOARD PRODUCTS

ACCESSORY DESCRIPTION AND COLOR	ACTUAL DIMENSION D x H x L	PRODUCT NUMBER
1 12 BENDA BOARD PLASTIC STAKE / REDWOOD	.67in X 11.75in X 1.38in 1.7cm X 29.84cm X 3.5cm	100036740
2 18 BENDA BOARD PLASTIC STAKE/ REDWOOD	.67in X 17.75in X 1.38in 1.7cm X 45.08cm X 3.5cm	100036741
3 12 BENDA BOARD PLASTIC STAKE/ SAND	.67in X 11.75in X 1.38in 1.7cm X 29.84cm X 3.5cm	100036742
4 12 BENDA BOARD PLASTIC STAKE/ CARMEL BROWN	.67in X 11.75in X 1.38in 1.7cm X 29.84cm X 3.5cm	100046315
5 STEEL J STAKE 1 X 4 / REDWOOD	1.35in X 12.75in X 1.28in 3.42cm X 32.38cm X 3.25cm	200079367
6 STEEL J STAKE 1 x 4 / SAND	1.35in X 12.75in X 1.28in 3.42cm X 32.38cm X 3.25cm	200079371
7 STEEL J STAKE 1 x 4 / BLACK	1.35in X 12.75in X 1.28in 3.42cm X 32.38cm X 3.25cm	200102712
8 STEEL J STAKE 2 x 4 / REDWOOD	1.5in X 11in X 1.75in 3.81cm X 27.94cm X 4.44cm	200079370
9 12 PRE-DRILLED STAKE / TEAK BROWN	.67in X 11.75in X 1.38in 1.7cm X 29.84cm X 3.5cm	200102648
10 18 PRE-DRILLED STAKE / TEAK BROWN	.67in X 11.75in X 1.38in 1.7cm X 45.08cm X 3.5cm	200102649
11 12 REDWOOD STAKE (ACTUAL REDWOOD)	.68in X 11.5in X 1.45in 1.7cm X 29.2cm X 3.7cm	200079372
12 18 REDWOOD STAKE (ACTUAL REDWOOD)	.68in X 17.5in X 1.45in 1.7cm X 44.4cm X 3.7cm	200109153
13 1 x 4 STEEL HAIRPIN	.14in X 13in X 1.25in 3.5mm X 33.02cm 3.17cm	200079368
14 2 x 4 STEEL HAIRPIN	.16in X 13in X 1.8in 4mm X 33.02cm 4.57cm	200079369
15 #6 GALVANIZED SCREWS	1-1/4in 3.05cm	200079375
16 #6 GALVANIZED SCREWS	2in 5.08cm	200079376

NOMINAL DESCRIPTION	RECOMMENDED ACCESSORIES (REFER TO CHART ABOVE)
4 x 20	4 , 5 , 9 , 10 , 15
6 x 20	

USE COARSE WOOD WORKING TOOLS FOR CUTTING & DRILLING

[www.epicplastics.com](http://www.epicplastics.com)

**2** USE PLATED SCREWS TO INSTALL STAKES AT APPROX. EVERY 4 FEET (LESS STAKES FOR STRAIGHT RUNS & MORE FOR CURVES).

