



REDWOOD

TEAK

BLACK

Create Organic Curves & Shapes

Benda Board® by Epic Plastics is a durable and flexible edging and forming solution made from recycled plastics. Benda Board contours easily ensuring coping, decks, pathways and patios remain consistent with specifications!

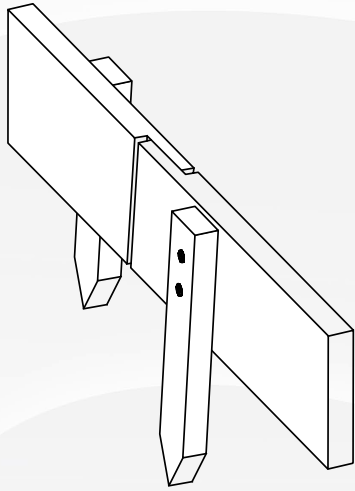
Features

- ✓ Flexible and consistent, supporting geometric to complex designs
- ✓ Quick and easy installation with minimal clean-up required
- ✓ Durable & re-usable generating value job after job!
- ✓ Stable pricing & readily available
- ✓ Made from recycled plastics & manufactured in the USA
- ✓ Versatile and multi-purpose

Common Uses

- ✓ Premium Landscape Edge Solution
- ✓ High-Performance Synthetic Turf Anchor
- ✓ Durable Concrete Forming System

SPECIFICATIONS/INSTALLATION (NEXT PAGE)



Installation Pro Tips

- Boards must be trenched, typically burying two-thirds of the board, though exposure varies by soil and job requirements.
- Do not screw or bind boards together; lap joints must remain free to flex and act as expansion joints.
- Place the two stakes closest to a joint on opposite boards, beginning 3–4 inches from the joint.
- Use a minimum of five stakes per board on straight runs and add more on curves or bends.
- Pre-drill pilot holes with a drill bit or auger before inserting stakes.
- Drive stakes to at least one inch below the top of the board.
- Place stakes every 3-4 feet.
- Do not place a stake directly on a joint.
- Do not use wooden stakes, as they will rot, decompose, and separate from the board.

Specifications

Nominal Description	Product #	Product Color	Available Sizes (Metric / Actual)	Minimum Order
1 x 4 x 20	100036729	Redwood	1.82 cm x 8.5 cm x 6.04 m (.72 in x 3.35 in x 19 ft 10 in)	120 pcs-2,400 ft/ lift
2 x 4 x 20	100036731	Redwood	3.47 cm x 8.63 x 6.04 m (1.37 in x 3.4 in x 19 ft 10 in)	60 pcs-1,200 ft / lift
1 x 6 x 20	100036730	Redwood	1.65 cm x 13.58 cm x 6.04 m (.65 in x 5.35 in x 19 ft 10 in)	80 pcs-1,600 ft / lift
2 x 6 x 16	100036732	Redwood	3.42 cm x 13.71 cm x 4.82 m (1.35 in x 5.4 in x 15 ft 10 in)	40 pcs- 640 ft/ lift
1 x 4 x 20	100059386	Teak	1.82 cm x 8.5 cm x 6.04 m (.72 in x 3.35 in x 19 ft 10 in)	100 pcs-2,000 ft/ lift
2 x 4 x 20	100059389	Teak	3.47 cm x 8.63 x 6.04 m (1.37 in x 3.4 in x 19 ft 10 in)	50 pcs-1,000 ft / lift
1 x 6 x 20	100059387	Teak	1.65 cm x 13.58 cm x 6.04 m (.65 in x 5.35 in x 19 ft 10 in)	100 pcs-2,000 ft/ lift
1 x 4 x 20	100051993	Black	1.82 cm x 8.5 cm x 6.04 m (.72 in x 3.35 in x 19 ft 10 in)	120 pcs-2,400 ft/ lift
1 x 6 x 20	100082778	Black	1.65 cm x 13.58 cm x 6.04 m (.65 in x 5.35 in x 19 ft 10 in)	80 pcs-1,600 ft / lift

Dimensions are D x H x L