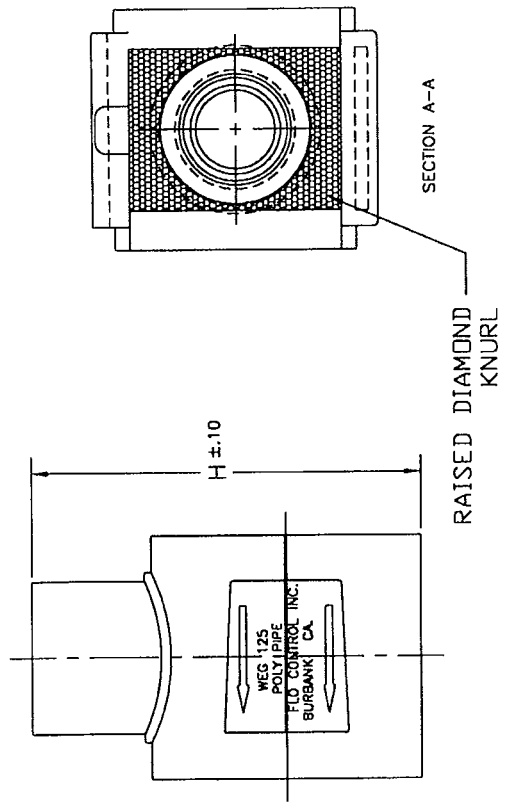
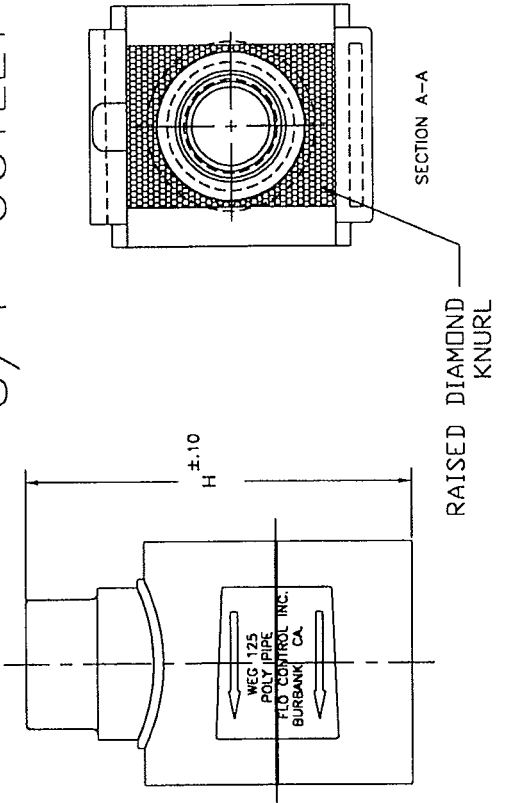


REV	REVISIONS TO O-RING GROOVE AND OVERALL WITH	BY	CKED	DATE
B		M	DH	7-24-00

# 1" OUTLET



# 3/4" OUTLET




		<b>FLO CONTROL, INC.</b> 3210 Winona Ave. Burbank, Co. 91504	
<b>SADDLES FOR POLY PIPE</b>		PART NO. SEE TABULATION DWG. NO. SADDLES FOR POLY PIPE	SHEET 1 OF 2
TOLERANCE (INCHES) UNLESS OTHERWISE SPECIFIED	DECIMAL FRACTION ±.005 ANGLES ±.005 HOLE DIA. ±.005 TAP DIA. ±.005 HOLE DIA. ±.005	FINISH #1/2 HOLE DIA. #1/2 HOLE DIA. #1/2 HOLE DIA. #1/2	DATE 08/07/98 DRAWN BY C CHECKED BY APPROVED BY DATE
TECHNICAL INFORMATION NOT FOR REPRODUCTION WITHOUT THE WRITTEN PERMISSION OF FLO CONTROL, INC. ALL RIGHTS RESERVED. THIS INFORMATION IS THE PROPERTY OF FLO CONTROL, INC. ANY REPRODUCTION OR TRANSMISSION OF THIS INFORMATION WITHOUT THE WRITTEN PERMISSION OF FLO CONTROL, INC. IS PROHIBITED. FLO CONTROL, INC. IS AN EQUAL OPPORTUNITY EMPLOYER. AUTHORIZED FROM FLO CONTROL, INC. BURBANK, CA, USA.			

NOTES: CALCULATE AND INSTALL DIM.

REV	REVISED DIMENSIONS ON 3320-07, 3320-10			BY	C	DATE
B				MR		5-18-00

PART NUMBER	IPS SIZE	OUTLET	A ±.06	B ±.03	C ±.050	D FOR USE WITH PIPE SIZE	L ±.10	H ±.10	R ±.015
331507P	1 1/2"	3/4" SLIP	2.150	1.075	1.590	1.900±.006	3.18	3.23	0.949
331510P	1 1/2"	1" SLIP	2.325	1.075	1.590	1.900±.006	3.18	3.40	0.949
321507P	1 1/2"	3/4" FIPT	2.150	1.075	1.590	1.900±.006	3.18	3.23	0.949
321510P	1 1/2"	1" FIPT	2.325	1.075	1.590	1.900±.006	3.18	3.40	0.949
332007P	2"	3/4" SLIP	2.676	1.373	1.78	2.315±.006	3.63	4.07	2.338
332010P	2"	1" SLIP	2.575	1.373	1.78	2.375±.006	3.63	3.97	2.338
322007P	2"	3/4" FIPT	2.385	1.312	1.83	2.375±.006	3.66	3.71	1.199
322010P	2"	1" FIPT	2.560	1.312	1.83	2.375±.006	3.66	3.88	1.199
335007P	2-1/2"	3/4" SLIP	2.637	1.562	2.08	2.875±.007	4.16	4.21	1.450
335010P	2-1/2"	1" SLIP	2.812	1.562	2.08	2.875±.007	4.16	4.38	1.450
325007P	2-1/2"	3/4" FIPT	2.637	1.562	2.08	2.875±.007	4.16	4.21	1.450
325010P	2-1/2"	1" FIPT	2.812	1.562	2.08	2.875±.007	4.16	4.38	1.450
353007P	3"	3/4" SLIP	2.950	1.875	2.40	3.500±.008	4.80	4.83	1.749
353010P	3"	1" SLIP	3.125	1.875	2.40	3.500±.008	4.80	5.00	1.749
343007P	3"	3/4" FIPT	2.950	1.875	2.40	3.500±.008	4.80	4.83	1.749
343010P	3"	1" FIPT	3.125	1.875	2.40	3.500±.008	4.80	5.00	1.749
354007P	4"	3/4" SLIP	3.450	2.375	2.89	4.500±.009	5.78	5.83	3.254
354010P	4"	1" SLIP	3.625	2.375	2.89	4.500±.009	5.78	6.00	3.254
344007P	4"	3/4" FIPT	3.450	2.375	2.89	4.500±.009	5.78	5.83	3.254
344010P	4"	1" FIPT	3.625	2.375	2.89	4.500±.009	5.78	6.00	3.254



**FLO CONTROL, INC.**  
3210 Winona Ave.  
Burbank, Ca. 91504

<b>SADDLES FOR POLY PIPE</b>		REVISED PART NO.
PART NO.	SEE TABULATION	REV.
DATE	SADDLES FOR POLY PIPE	REV.
DRAWN BY	CHECKED BY	REV.
DATE	DATE	REV.
C	D	E

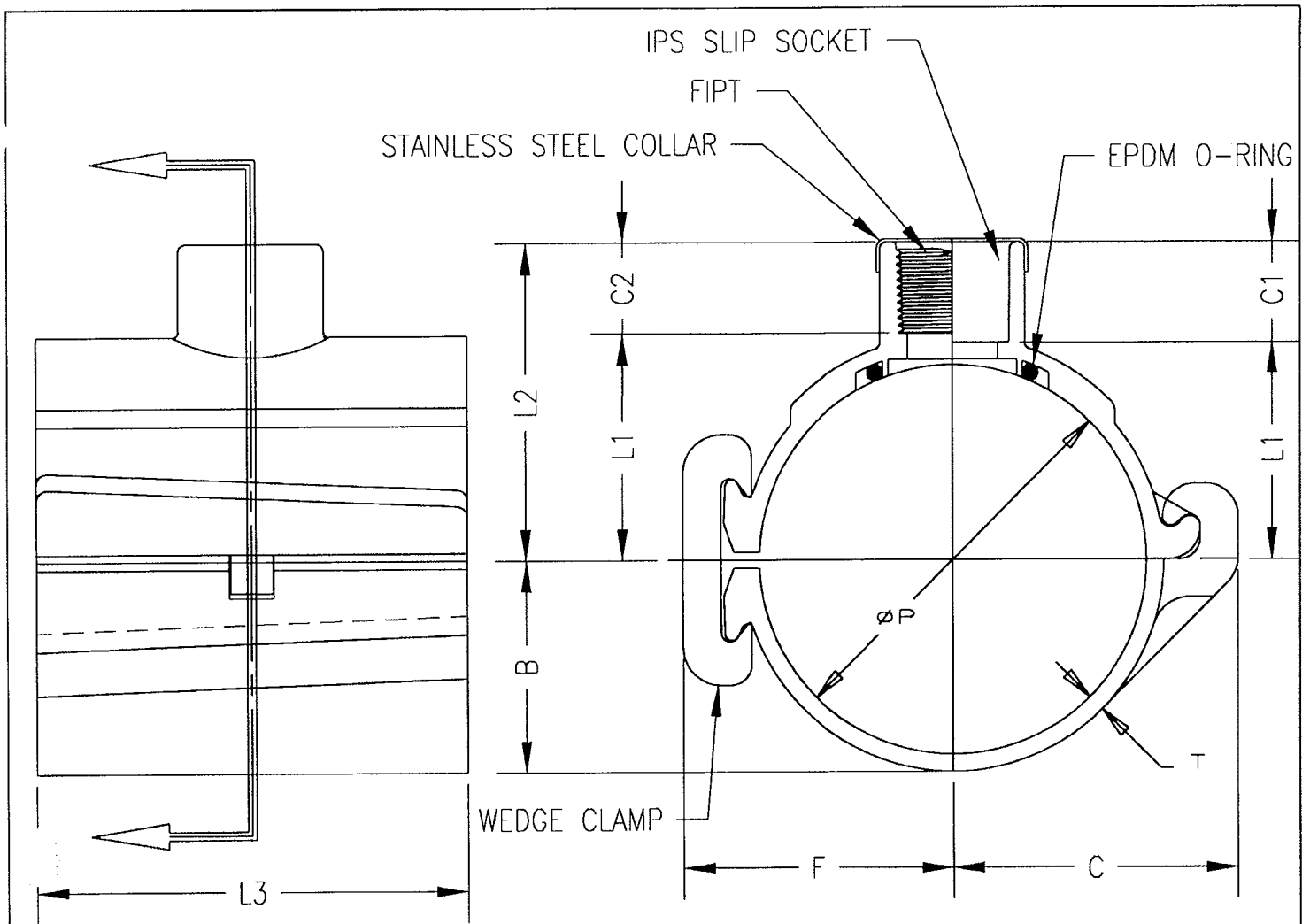
TOLERANCE (INCHES)  
UNLESS OTHERWISE SPECIFIED

GENERAL	FINISH	ANGLES
±.001	±1/8"	±1/2°

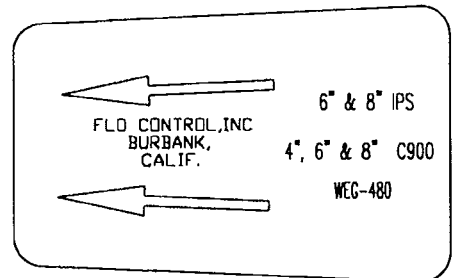
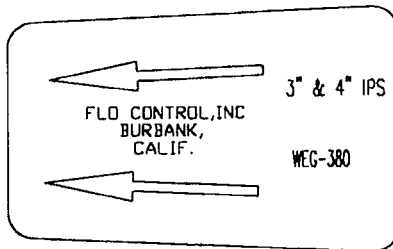
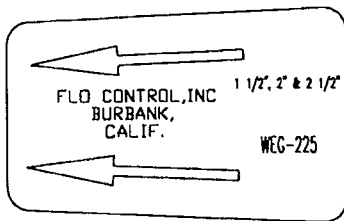
**TECHNICAL INFORMATION**  
NOT FOR PUBLICATION  
THIS DRAWING IS THE PROPERTY OF FLO CONTROL, INC. IT IS TO BE USED ONLY FOR THE PURPOSES SPECIFIED HEREON. IT IS NOT TO BE REPRODUCED, COPIED, OR TRANSMITTED IN ANY FORM OR BY ANY MEANS, ELECTRONIC OR MECHANICAL, INCLUDING PHOTOCOPYING, RECORDING, OR BY ANY INFORMATION STORAGE AND RETRIEVAL SYSTEM, WITHOUT THE WRITTEN PERMISSION OF FLO CONTROL, INC. FLO CONTROL, INC. IS NOT RESPONSIBLE FOR ANY DAMAGE TO PERSONS OR PROPERTY ARISING FROM THE USE OF THIS DRAWING. FLO CONTROL, INC. IS A REGISTERED TRADEMARK OF FLO CONTROL, INC. BURLINGAME, CA, USA.


08/07/98 COMPLETION

NOTES: CALCULATE AND INSTALL DIM.




WEDGE ENGRAVING SHOWN BELOW



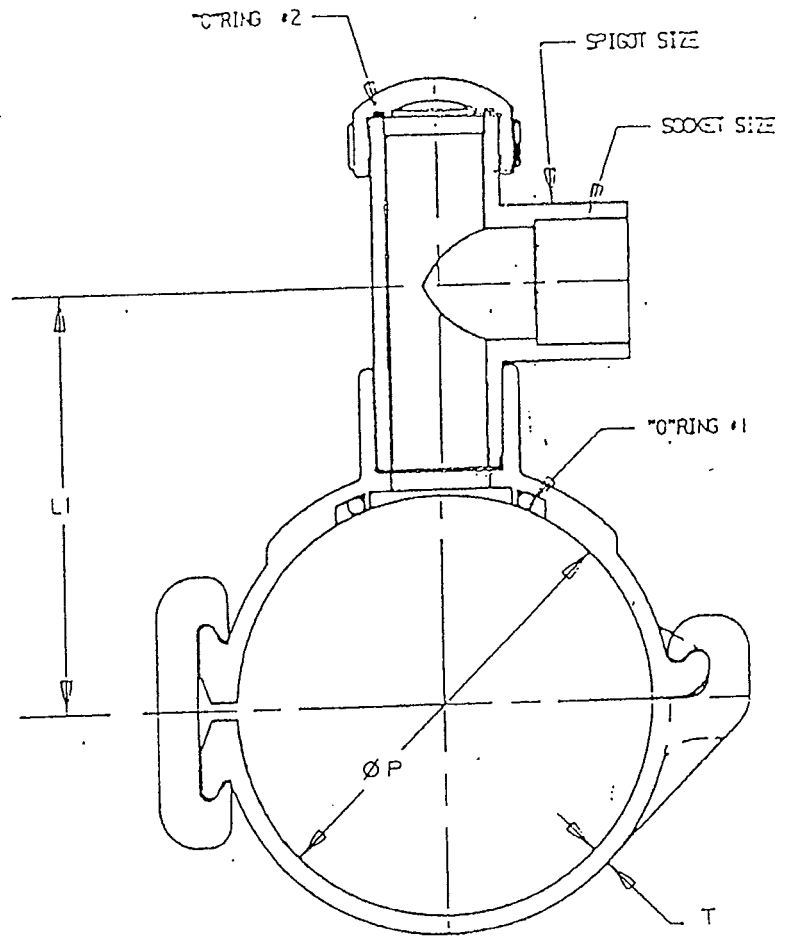
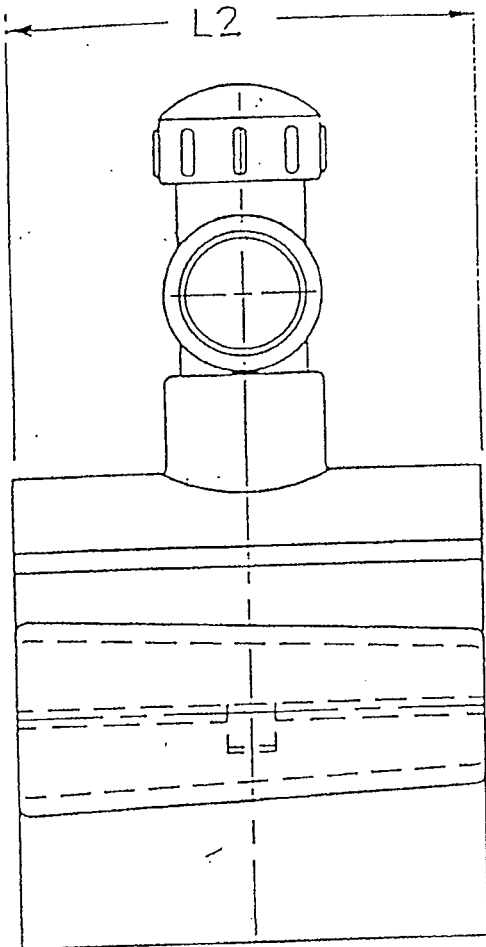
TOLERANCE UNLESS OTHERWISE SPECIFIED			 <b>FLO CONTROL, INC.</b> 200 psi @ 72°			DWG. NO. TAB. - SADDLE	
DECIMAL	FRACT.	ANGLES				PART NO. SEE TABULATION	
.XX ±.01	±1/64	±1/2°	<b>TITLE</b> FIXED OUTLET "CLAMP-IT" SADDLE			SHT 1 OF 3	
.XXX ±.005						INCHES	
DATE 10/01/98	DRAWN BY NEVRIG MAZMANIAN	CHECKED BY	APPROV. BY	SCALE N/A			

ØP PIPE SIZE	TAP SIZE	PART NO	L1	±.06 L2	L3	B	±.06 C	±.06 F	C1 SOC.DEP.	C2 THR.DEP.	T +0.010	"O"RING
1 1/2" IPS	3/4"S	4315-07	1.21	2.47	4.0	1.13	1.90	1.90	1.41		.185	#322
	1" S	4315-10	2.08	2.18	4.0	1.13	1.90	1.90	1.22		.185	#322
	3/4"T	4215-07	1.55	2.45	4.0	1.01	1.90	1.90		1.43	.185	#322
	1" T	4215-10	1.17	2.56	4.0	1.06	1.90	1.90		1.38	.185	#327
2" IPS	3/4"S	4320-07	1.37	2.37	4.0	1.37	2.09	2.09			.189	#327
	1" S	4320-10	1.37	2.5	4.0				1.00		.189	#327
	1 1/4"S	4320-12	1.37	2.62	4.0				1.25		.189	#327
	1 1/2"S	4320-15	1.37	2.71	4.0				1.34		.189	#327
	3/4"T	4220-07	1.58	2.43	4.0					.85	.189	#327
	1" T	4220-10	1.52	2.5	4.0					1.00	.189	#327
	1 1/4"T	4220-12	1.61	2.62	4.0					1.01	.189	#327
	1 1/2"T	4220-15	1.65	2.68	4.0					1.03	.189	#327
2 1/2" IPS	3/4"S	4325-07	1.62	2.62	4.0	1.62	2.30	2.30	1.00		.189	#328
	1" S	4325-10	1.62	2.62	4.0				1.00		.189	#328
	1 1/4"S	4325-12	1.62	2.87	4.0				1.25		.189	#328
	1 1/2"S	4325-15	1.62	2.96	4.0				1.34		.189	#328
	2" S	4325-20	1.62	3.01	4.0				1.39		.189	#328
	3/4"T	4225-07	1.84	2.71	4.0					.85	.189	#328
	1" T	4225-10	1.77	2.77	4.0					1.00	.189	#328
	1 1/4"T	4225-12	1.84	2.85	4.0					1.01	.189	#328
	1 1/2"T	4225-15	1.91	2.94	4.0					1.03	.189	#328
	2" T	4225-20	1.97	3.03	4.0					1.06	.189	#328
3" IPS	3/4"S	4530-07	2.02	3.02	5.0	1.95	2.82	2.60	1.00		.200	#328
	1" S	4530-10	2.01	3.01	5.0				1.00		.200	#328
	1 1/4"S	4530-12	2.07	3.35	5.0				1.25		.200	#328
	1 1/2"S	4530-15	2.01	3.31	5.0				1.34		.200	#328
	2" S	4530-20	2.0	3.42	5.0				1.42		.200	#332
	3/4"T	4430-07	2.17	3.02	5.0					.85	.200	#328
	1" T	4430-10	2.03	3.03	5.0					1.00	.200	#328
	1 1/4"T	4430-12	2.20	3.21	5.0					1.01	.200	#328
	1 1/2"T	4430-15	2.28	3.34	5.0					1.03	.200	#328
	2" T	4430-20	2.36	3.42	5.0					1.06	.200	#332
4" IPS	3/4"S	4540-07	2.52	3.52	5.0	2.45	3.31	3.12	1.00		.200	#328
	1" S	4540-10	2.61	3.61	5.0				1.00		.200	#328
	1 1/4"S	4540-12	2.70	3.95	5.0				1.25		.200	#328
	1 1/2"S	4540-15	2.81	4.15	5.0				1.34		.200	#328
	2" S	4540-20	2.86	4.28	5.0				1.42		.200	#332
	3/4"T	4440-07	2.71	3.56	5.0					.85	.200	#328
	1" T	4440-10	2.66	3.67	5.0					1.00	.200	#328
	1 1/4"T	4440-12	2.80	3.84	5.0					1.01	.200	#328
	1 1/2"T	4440-15	2.82	3.86	5.0					1.03	.200	#328
	2" T	4440-20	2.86	3.93	5.0					1.06	.200	#332

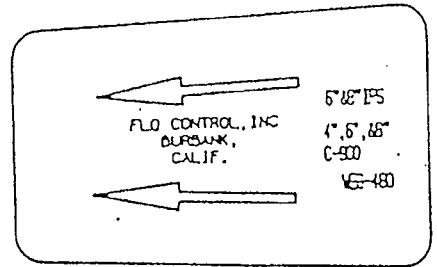
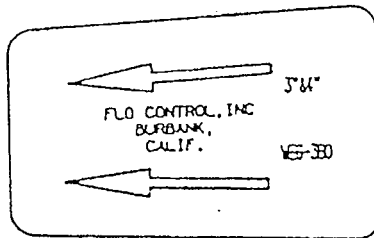
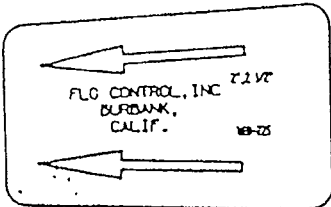
TOLERANCE UNLESS OTHERWISE SPECIFIED							DWG. NO. TAB.-SADDLE	
DECIMAL	FRACT.	ANGLES						
.XX ±.01 .XXX ±.005	±1/64	±1/2"	TITLE FIXED OUTLET "CLAMP-IT" SADDLE				PART NO. SEE TABULATION	
INCHES								
DATE 10/01/98	DRAWN BY NEVRIG MAZMANIAN	CHECKED BY	APPROV. BY	SCALE N/A	SHT 2 OF 3			

P PIPE SIZE	TAP SIZE	PART NO	L1	±.06 L2	L3	B	±.06 C	±.06 F	B-C900	C1 SOC.DEP.	C2 THR.DEP.	T	"O"RING
6" IPS	3/4"S	4560-07	3.59	4.59	5.0	3.53	4.40	4.22		1.00		.200	#328
	1"S	4560-10	3.67	4.72	5.0					1.05		.200	#328
	1 1/4"S	4560-12	3.63	4.88	5.0					1.25		.200	#328
	1 1/2"S	4560-15	3.58	4.90	5.0					1.32		.200	#328
	2"S	4560-20	3.56	4.98	5.0					1.42		.200	#332
	3/4"T	4460-07	3.74	4.59	5.0						.85	.200	#328
	1"T	4460-10	3.72	4.72	5.0						1.00	.200	#328
	1 1/4"T	4460-12	3.87	4.88	5.0						1.01	.200	#328
	1 1/2"T	4460-15	3.87	4.90	5.0						1.03	.200	#328
	2"T	4460-20	3.92	4.98	5.0						1.06	.200	#332
8" IPS	3/4"S	4580-07	4.59	5.59	5.0	4.56	5.42	5.29		1.00		.300	#328
	1"S	4580-10	4.67	5.67	5.0					1.00		.300	#328
	1 1/4"S	4580-12	4.63	5.88	5.0					1.25		.300	#328
	1 1/2"S	4580-15	4.58	5.90	5.0					1.32		.300	#328
	2"S	4580-20	4.56	5.98	5.0					1.42		.300	#332
	3/4"T	4480-07	4.74	5.59	5.0						.85	.300	#328
	1"T	4480-10	4.72	5.72	5.0						1.00	.300	#328
	1 1/4"T	4480-12	4.87	5.88	5.0						1.01	.300	#328
	1 1/2"T	4480-15	4.87	5.90	5.0						1.03	.300	#328
	2"T	4480-20	4.92	5.98	5.0						1.06	.300	#332
4" C-900	3/4"S	9140-07	2.52	3.52	5.0	2.82	2.60	2.80		1.00		.200	#328
	1"S	9140-10	2.61	3.66	5.0					1.00		.200	#328
	1 1/4"S	9140-12	2.70	3.82	5.0					1.25		.200	#328
	1 1/2"S	9140-15	2.81	3.84	5.0					1.34		.200	#328
	2"S	9140-20	2.86	3.92	5.0					1.42		.200	#332
	3/4"T	9040-07	2.71	3.52	5.0						.85	.200	#328
	1"T	9040-10	2.65	3.66	5.0						1.00	.200	#328
	1 1/4"T	9040-12	2.70	3.82	5.0						1.01	.200	#328
	1 1/2"T	9040-15	2.78	3.84	5.0						1.03	.200	#328
	2"T	9040-20	2.82	3.92	5.0						1.06	.200	#332
6" C-900	3/4"S	9160-07	3.59	4.59	5.0	3.31	3.12	3.90		1.00		.200	#328
	1"S	9160-10	3.67	4.72	5.0					1.00		.200	#328
	1 1/4"S	9160-12	3.63	4.88	5.0					1.25		.200	#328
	1 1/2"S	9160-15	3.58	4.90	5.0					1.34		.200	#328
	2"S	9160-20	3.56	4.98	5.0					1.42		.200	#332
	3/4"T	9060-07	3.74	4.59	5.0						.85	.200	#328
	1"T	9060-10	3.72	4.72	5.0						1.00	.200	#328
	1 1/4"T	9060-12	3.87	4.88	5.0						1.01	.200	#328
	1 1/2"T	9060-15	3.87	4.90	5.0						1.03	.200	#328
	2"T	9060-20	3.92	4.98	5.0						1.06	.200	#332
8" C-900	3/4"S	9180-07	4.59	5.59	5.0	4.40	4.22	4.95		1.00		.300	#328
	1"S	9180-10	4.67	5.72	5.0					1.00		.300	#328
	1 1/4"S	9180-12	4.63	5.88	5.0					1.25		.300	#328
	1 1/2"S	9180-15	4.58	5.90	5.0					1.34		.300	#328
	2"S	9180-20	4.56	5.98	5.0					1.42		.300	#332
	3/4"T	9080-07	4.74	5.59	5.0						.85	.300	#328
	1"T	9080-10	4.72	5.72	5.0						1.00	.300	#328
	1 1/4"T	9080-12	4.87	5.88	5.0						1.01	.300	#328
	1 1/2"T	9080-15	4.87	5.90	5.0						1.03	.300	#328
	2"T	9080-20	4.92	5.98	5.0						1.06	.300	#332

TOLERANCE UNLESS OTHERWISE SPECIFIED				FLO CONTROL, INC.	
DECIMAL	FRACT.	ANGLES			
.XX ±.01 .XXX ±.005	±1/64	±1/2"			
INCHES			TITLE		DWG. NO.
			FIXED OUTLET "CLAMP-IT" SADDLE		TAB.-SADDLE
DATE 10/01/98			DRAWN BY NEVRIG MAZMANIAN		CHECKED BY
			APPROV. BY		SCALE N/A
					SHT 3 OF 3



WEDGE ENGRAVING SHOWN BELOW



TOLERANCE UNLESS OTHERWISE SPECIFIED		
DECIMAL	FRACT.	ANGLES
.XX ±.01	±1/64	±1/2°
.XXX ±.005		
INCHES		
DATE 02.12 1992	DRAWN BY NEVRIG MAZMANIAN	CHECKED BY



FLO CONTROL, INC.

TITLE  
TAP HOT/WET TAP SADDLES

DWG. NO.  
TAB. -TOP HOT  
SADDLE  
PART NO.  
SEE TABULATION

SCALE  
N/A

SHT 1 OF 2

F PIPE SIZE	STANDART PART NO	IPS SERVICE LINE SIZE / DESCRIPTION	L1	L2	L3	'O'RING	
						NO.1	NO.2
2" IPS	3120	3/4" SOCKET	3.18	4"	2.5	327	214
		1" SPIGOT					
2 1/2" IPS	3125	3/4" SOCKET	3.43	4"	2.5	328	214
		1" SPIGOT					
3" IPS	3130	3/4" SOCKET	3.81	5"	2.5	328	214
		1" SPIGOT					
4" IPS	3140	3/4" SOCKET	4.31	5"	2.5	328	214
		1" SPIGOT					
6" IPS	3160	3/4" SOCKET	5.43	5"	2.5	328	214
		1" SPIGOT					
8" IPS	3180	3/4" SOCKET	6.43	5"	2.5	328	214
		1" SPIGOT					
4"C-900	9140	3/4" SOCKET	4.43	5"	2.5	328	214
		1" SPIGOT					
6"C-900	9160	3/4" SOCKET	5.56	5"	2.5	328	214
		1" SPIGOT					
8"C-900	9180	3/4" SOCKET	6.56	5"	2.5	328	214
		1" SPIGOT					
2" IPS	3220	1 1/2" SOCKET	3.93	4"	3.5	327	325
		2" SPIGOT					
2 1/2" IPS	3225	1 1/2" SOCKET	4.18	4"	3.5	328	325
		2" SPIGOT					
3" IPS	3230	1 1/2" SOCKET	4.56	5"	3.5	328	325
		2" SPIGOT					
4" IPS	3240	1 1/2" SOCKET	5.06	5"	3.5	328	325
		2" SPIGOT					
6" IPS	3260	1 1/2" SOCKET	6.18	5"	3.5	328	325
		2" SPIGOT					
8" IPS	3280	1 1/2" SOCKET	7.18	5"	3.5	328	325
		2" SPIGOT					
4"C-900	9240	1 1/2" SOCKET	5.18	5"	3.5	328	325
		2" SPIGOT					
6"C-900	9260	1 1/2" SOCKET	6.31	5"	3.5	328	325
		2" SPIGOT					
8"C-900	9280	1 1/2" SOCKET	7.31	5"	3.5	328	325
		2" SPIGOT					

TOLERANCE UNLESS OTHERWISE SPECIFIED		
DECIMAL	FRACT.	ANGLES
.XX = 01	#1/64	#1/32
.XXX = 005		



FLO CONTROL, INC.

INCHES		TITLE TAP HOT / WET TAP SADDLES			DWG. NO. TAB-TOP HOT SADDLE	
					PART NO. SEE TABULATION	
DATE 02.12 1992	DRAWN BY NEVRIG MAZMANIAN	CHECKED BY	APPROV. BY	SCALE N/A	SHT 2 OF 2	