

Type:

Model:

## DELANO MR16 Well Light Fixture

**ORDER NUMBER:**

490065

**SPECIFICATIONS**

**HOUSING:**

Cast brass in-grade base with an angled shroud. H5 Hex, Requires a 3mm Hex tool for installation.

**FINISH:**

Weathered brass. Custom powder coated colors available.

**SOCKET/LAMP HOLDER:**

One fixed ceramic bi-pin socket with stainless steel retaining springs.

**LENS:**

Clear convex tempered glass.

**LAMP TYPE:**

12V MR16. LED recommended. 30W halogen or 7W LED maximum.

**MOUNTING:**

Installs in-grade.

**WIRING:**

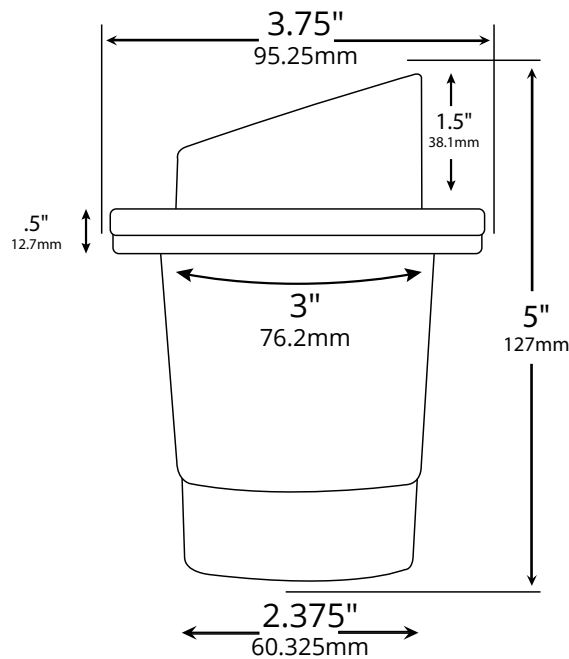
Pre-wired with 5' pigtail of 18/2 cable.

**WARRANTY:**

Lifetime.



### DIMENSIONS:



LED LAMP SPECIFICATIONS

**LAMP TYPE:**

12V Dauer MR16 lamp with 5-year warranty, dimmable, and suitable for enclosed luminaires.

**OPTICS:**

Integral optics providing available beam spreads from 15° to 60°.

**COLOR TEMPERATURES:**

Color temperature options provide the following qualities: 2700K or 3000K. Decorative color light options include amber, blue, green, red and purple.

**FIXTURE ORDERING INFORMATION**

To order a lamped fixture, select the appropriate choice from each column as in the following example:

EXAMPLE: 490065-5W-40-2700K

FIXTURE	LAMP		
490065	WATTAGE	BEAM SPREAD	COLOR TEMP.
	2W	25° / 40° / 60°	2700K / 3000K
	3W	25° / 40° / 60°	2700K / 3000K
	4W	25° / 40° / 60°	2700K / 3000K
	5W	15° / 25° / 40° / 60°	2700K / 3000K
		25°	Amber / Blue / Green / Red
	5W	38°	Purple
	6W	25° / 40° / 60°	2700K / 3000K
	7W	15° / 25° / 40°	2700K / 3000K

