

Type:

Model:

**MATRIX Integrated LED
Uplight/Downlight Fixture**

SPECIFICATIONS

VOLTAGE:
12V AC/DC.

HOUSING:
Cast aluminum with removable shroud.

FINISH:
Architectural bronze. Custom powder-coated colors available.

MOUNTING:
Threaded with 1/2" NPT. Heavy-duty composite stake and locknut included. May be mounted into threaded hubs in junction boxes or mounting accessories.

WIRING:
Pre-wired with a five-foot pigtail of 18/2 cable.

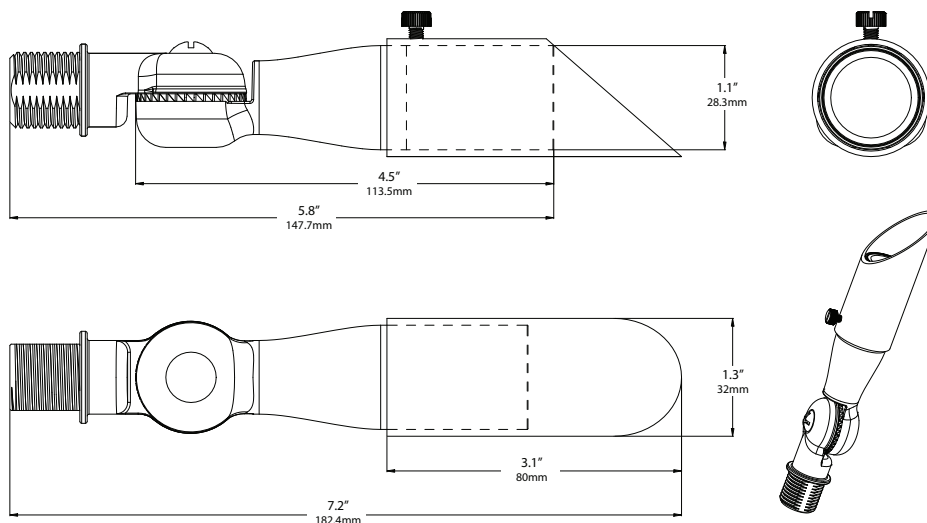
WARRANTY:
Ten years.



The Matrix features an integrated LED source available in 3.5W. 2700K and 3000K. 25-, 40-, 60- and 100-degree beam spreads.



DIMENSIONS:



LED LAMP SPECIFICATIONS

LAMP TYPE:
Integrated LED.

OPTICS:
Integral optics providing available beam spreads from 25° to 100°.

COLOR TEMPERATURES:
2700K and 3000K.



FIXTURE ORDERING INFORMATION

To order a fixture with mounting options, select the appropriate choice from each column as in the following example:

EXAMPLE: 489170-3.5W-25°-2700K-MS

CODES	WATTAGE	VOLT AMPS	BEAM SPREAD	COLOR TEMP	LUMENS	EFFICACY	CRI	MOUNTING
489170	3.5W	4.52	25°	2700K	339 lm	97 lm/W	80	MS Composite Stake - 490034
489171	3.5W	4.52	40°	2700K	316 lm	90 lm/W	80	A Anchorage Aluminum Tree Mount - 490189
489172	3.5W	4.52	60°	2700K	323 lm	92 lm/W	80	MM Aluminum Micro Surface Mount - 490186
489173	3.5W	4.52	100°	2700K	275 lm	78 lm/W	80	ATM Aluminum Tapered Surface Mount - 490187
489174	3.5W	4.49	25°	3000K	343 lm	98 lm/W	80	AGM Aluminum Gutter Mount - 490188
489175	3.5W	4.49	40°	3000K	343 lm	98 lm/W	80	
489176	3.5W	4.49	60°	3000K	351 lm	100 lm/W	80	
489177	3.5W	4.49	100°	3000K	296 lm	84 lm/W	80	