



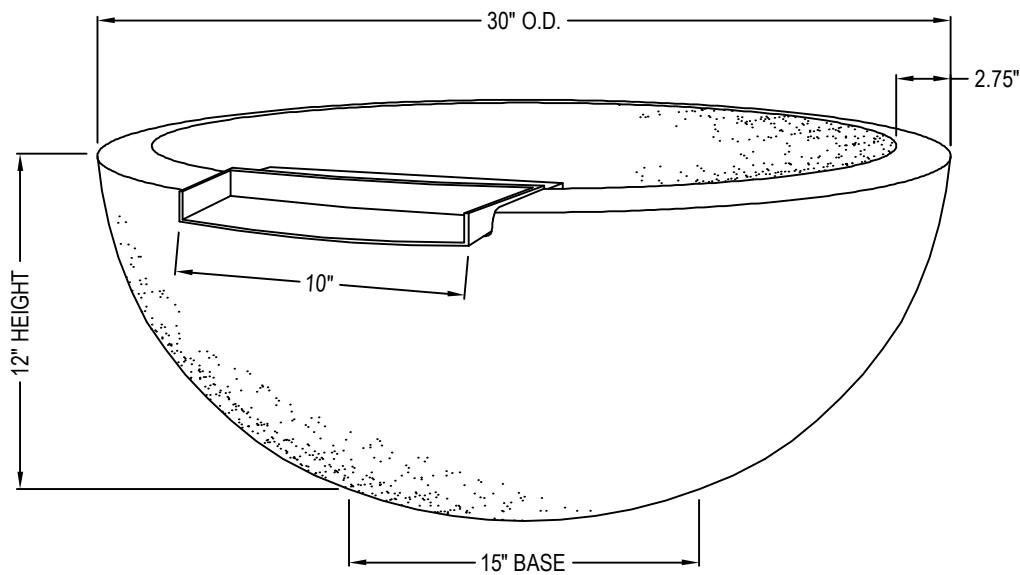
GRAND EFFECTS
 18 TECHNOLOGY DR. SUITE 110
 IRVINE, CA 92618
 PHONE: (949) 697-5270
 FAX: (949) 625-8027
 www.grandeffectsinc.com

SELECT DESIRED FINISH:

- | | | | |
|------------------------------------|--------------------------------------|--------------------------------------------|-------------------------------------|
| <input type="checkbox"/> KHAKI | <input type="checkbox"/> DARK WALNUT | <input type="checkbox"/> ENGLISH LEAD | <input type="checkbox"/> DEEP AMBER |
| <input type="checkbox"/> GREEK | <input type="checkbox"/> EBONY | <input type="checkbox"/> BURNT TERRA COTTA | |
| <input type="checkbox"/> LIMESTONE | <input type="checkbox"/> SEQUOIA | <input type="checkbox"/> URBAN SLATE | |

SELECT DESIRED OPERATION:

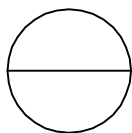
- AUTOMATION OPERATION
 MANUAL OPERATION



PERSPECTIVE

NOTES:

1. INSTALLATION TO BE COMPLETED IN ACCORDANCE WITH MANUFACTURER'S SPECIFICATIONS.
2. DO NOT SCALE DRAWING.
3. THIS DRAWING IS INTENDED FOR USE BY ARCHITECTS, ENGINEERS, CONTRACTORS, CONSULTANTS AND DESIGN PROFESSIONALS FOR PLANNING PURPOSES ONLY. THIS DRAWING MAY NOT BE USED FOR CONSTRUCTION.
4. ALL INFORMATION CONTAINED HEREIN WAS CURRENT AT THE TIME OF DEVELOPMENT BUT MUST BE REVIEWED AND APPROVED BY THE PRODUCT MANUFACTURER TO BE CONSIDERED ACCURATE.
5. CONTRACTOR'S NOTE: FOR PRODUCT AND COMPANY INFORMATION VISIT www.CADdetails.com/info AND ENTER REFERENCE NUMBER 4903-079.



FIRE & WATER BOWLS

CONCRETE SMALL LEGACY FIRE AND WATER BOWL