



OmniHub[®]

Replacement PCB for OmniHub

Owner's Manual

Contents

Description.....	1
Installation.....	1

HLXHIOPCB

Hayward Industries
1415 Vantage Park Dr., Suite 400
Charlotte, NC 28203
Phone (908)-355-7995
www.hayward.com



Description

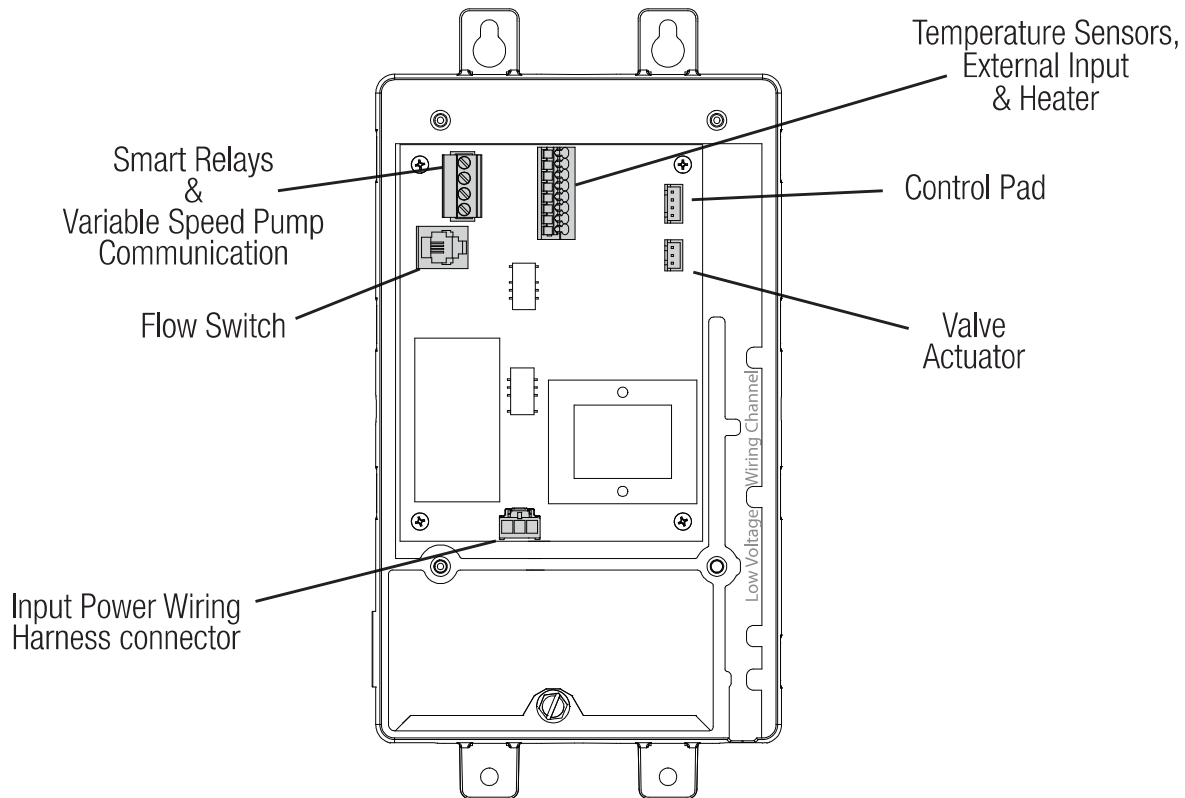
The HLXHIOPCB is a replacement printed circuit board (PCB) for the OmniHub. Before attempting to replace the PCB, completely disconnect power to the OmniHub.

Installation

Replace OmniHub PCB

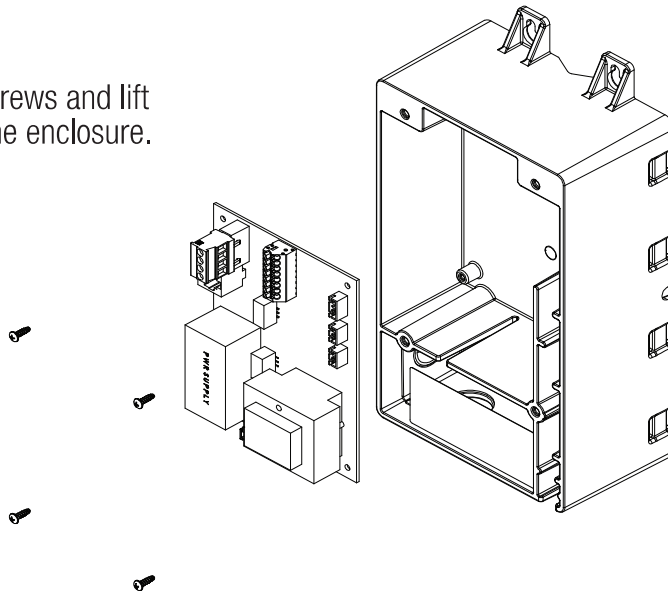
The following steps can be performed without having to remove the OmniHub from the mounting surface. Completely disconnect power to the OmniHub and follow the steps below:

1. Remove the 4 cover screws and remove the cover.
2. Remove all wiring connections to the PCB. All possible connections are shown below. Note that high voltage wiring doesn't need to be removed, just disconnect the Input Power Wiring Harness (PCB location is shown below). An additional Input Power Wiring Harness has been provided for replacement, if needed.



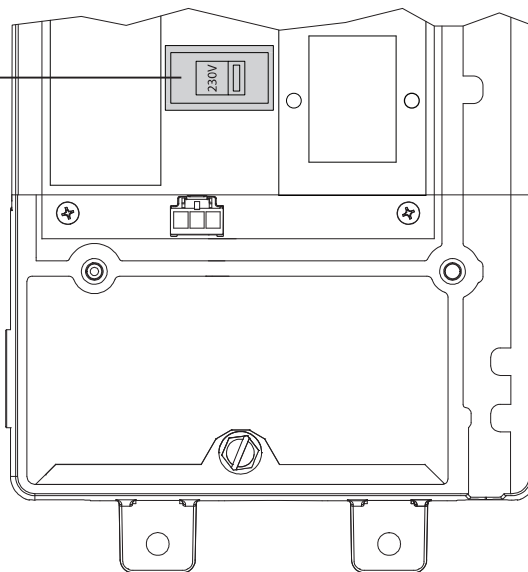
3. With all wiring disconnected, remove the 4 screws securing the PCB board to the enclosure as shown below. Remove the PCB.

Remove the 4 screws and lift the PCB out of the enclosure.



4. Now that the old PCB has been removed, install the new HLXHIOPCB by reversing the previous step.
5. Hook up all wiring and plug the Input Power Wiring Harness into the designated connector. If using 230V, make sure that the input voltage switch (shown below) is in the 230V position. If using 115V, set the switch to the 115V position.

Set the 115V/230V Input Voltage Switch to the appropriate position (factory default set to 230V)



6. Re-install the cover.
7. Apply power to the OmniHub and make sure that all equipment is working properly.



For further information or consumer
technical support, visit our website at
www.hayward.com



Hayward and OmniHub are registered trademarks of Hayward Industries, Inc. © 2023 Hayward Industries, Inc.

All other trademarks not owned by Hayward are the property of their respective owners. Hayward is not in any way affiliated with or endorsed by those third parties. For patent information, refer to www.hayward.com/patents.

USE ONLY HAYWARD GENUINE REPLACEMENT PARTS