

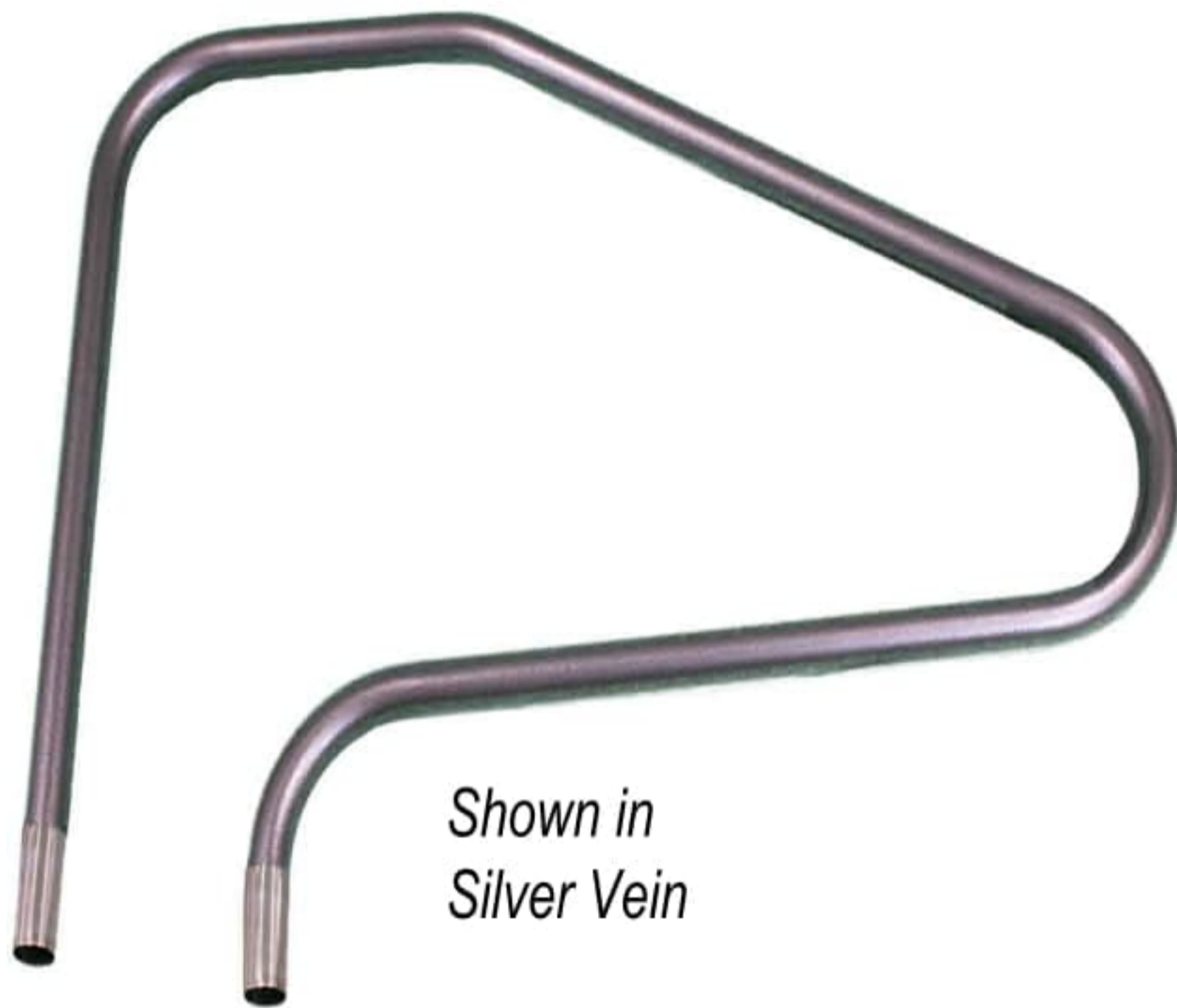


GLOBAL

POOL PRODUCTS

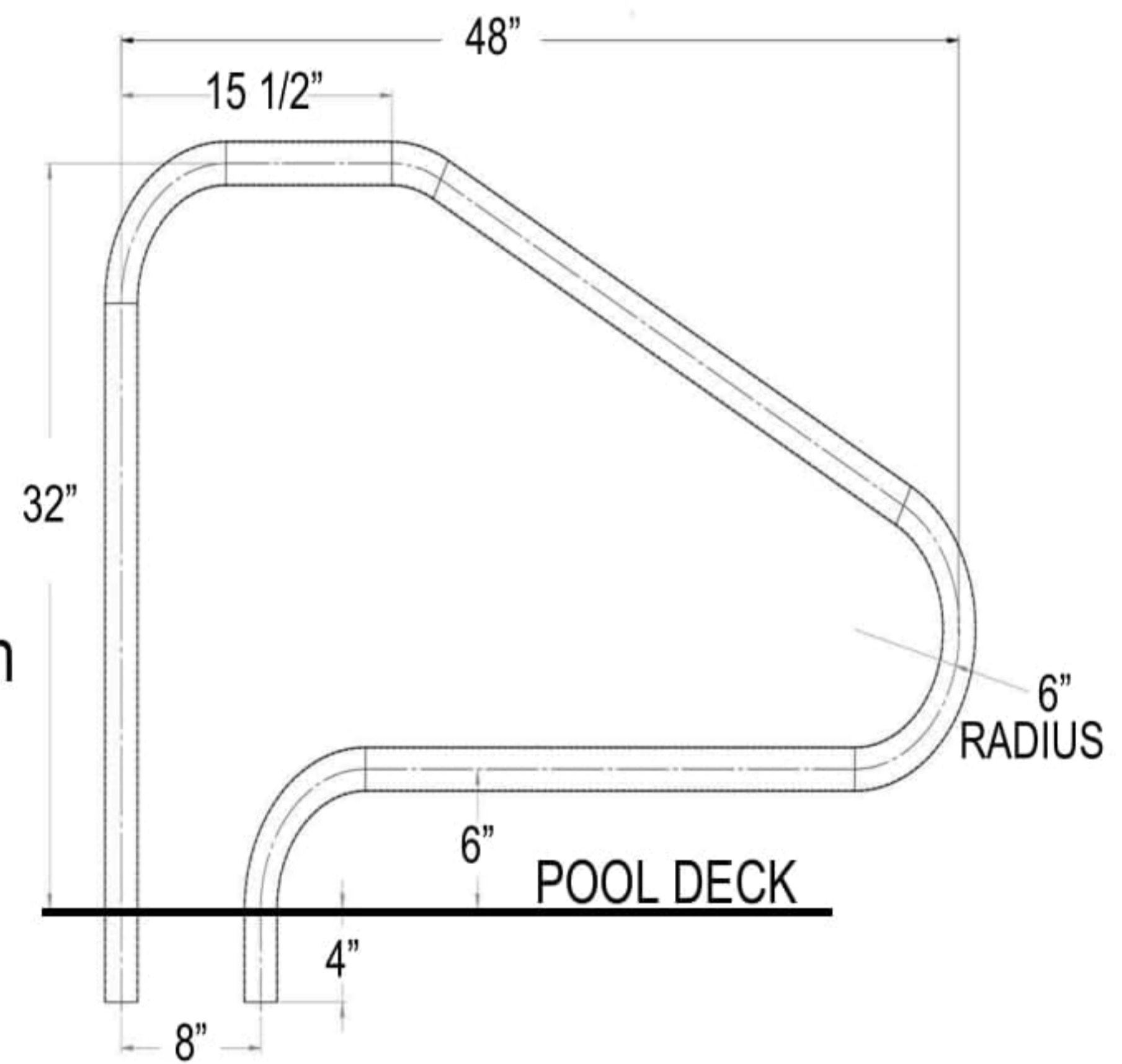
"committed to engineering and manufacturing world class products in the pool industry"

CLASSIC 4 BEND HANDRAIL



Shown in Silver Vein

-  White
-  Polished
-  Copper Vein
-  Silver Vein



Part Number	Description
GPP-RL-C49-4BND-SS	CLASSIC 4 BEND HANDRAIL POLISHED .049\" WALL
GPP-RL-C65-4BND-CV	CLASSIC 4 BEND HANDRAIL COPPER VEIN .065\" WALL
GPP-RL-C65-4BND-SV	CLASSIC 4 BEND HANDRAIL SILVER VEIN .065\" WALL
GPP-RL-C65-4BND-SS	CLASSIC 4 BEND HANDRAIL POLISHED .065\" WALL
GPP-RL-C65-4BND-WH	CLASSIC 4 BEND HANDRAIL WHITE .065\" WALL
GPP-OTE-AHC8	4\" ALUMINUM ANCHOR SOCKET W/ 8\" CHANNEL

The Classic 4 Bend Handrail has several options to help customize your handrail to your liking. This handrail is constructed of a 1.90\" stainless steel tube with optional wall thicknesses of .049\" or .065\", while having the color options of white (standard), polished or one of the premium powder coat colors that include copper or silver vein.

Note: The .049\" wall thickness is ONLY offered in polished. The .065\" wall option is also offered marine grade. When ordering add "-M" to the end of the part number on the .065\" handrail. Anchor socket is 4\" and constructed out of aluminum (GPP-OTE-AHC8). *Anchors are not included.*

