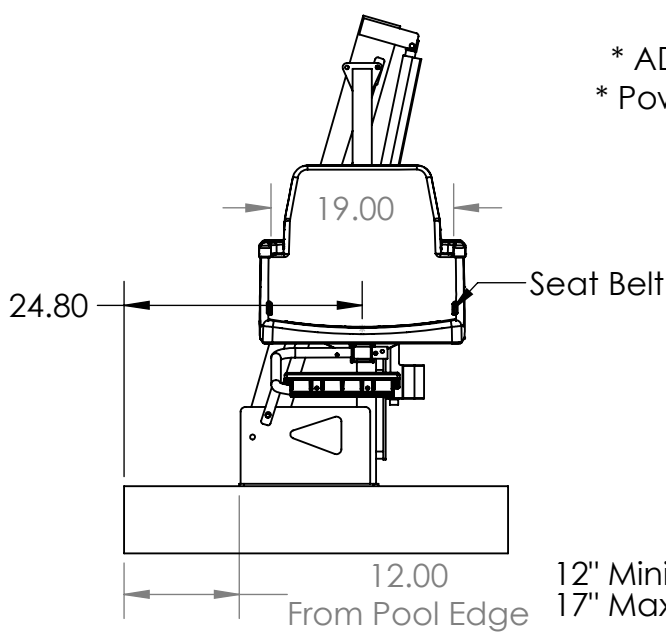
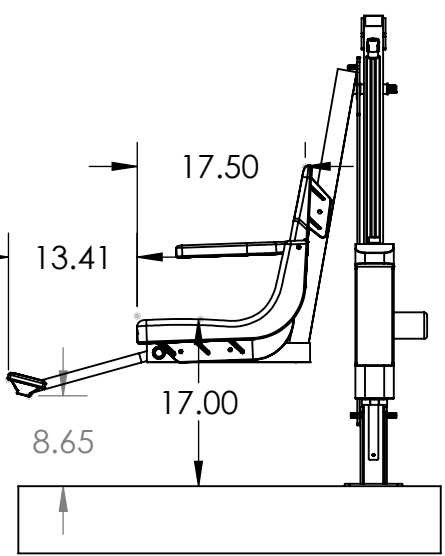


2

1

B

B

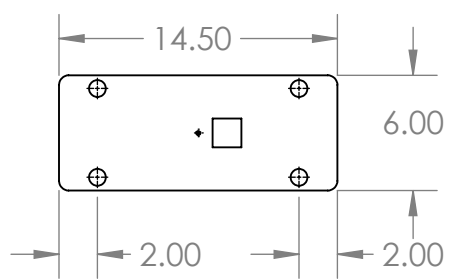
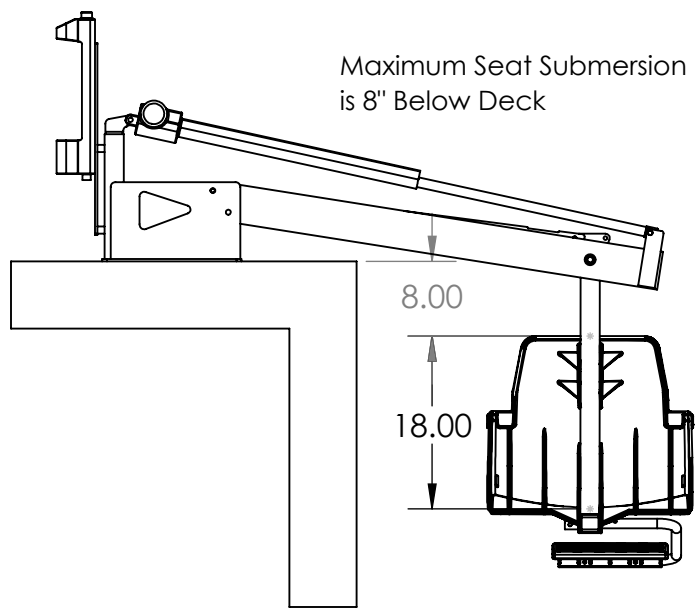


Features

- * ADA Compliant
- * 350 Pound Weight Capacity
- * Powder Coat Finish
- * Stainless Steel Construction
- * User Friendly Controls
- * Field Reversible
- * Rechargeable Battery with Charger
- * UV Resistant
- * Arm Rests
- * Foot Rest
- * Safety Seat Belt
- * UPS Shippable
- * 5 Year Structural Warranty

A

A

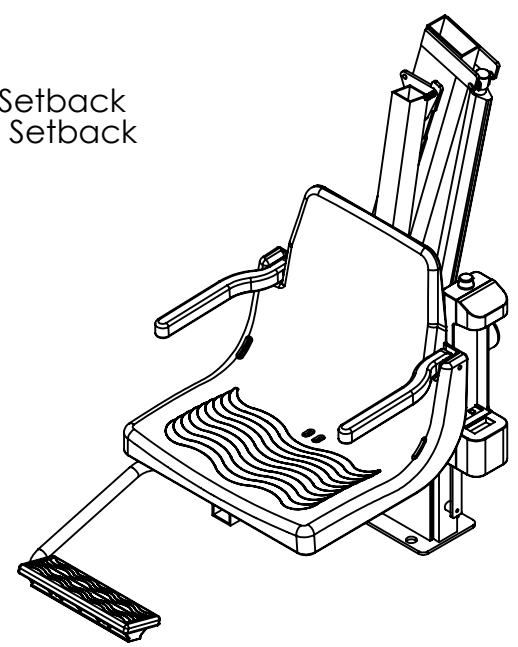


Model: L-350

Weight Capacity: 350 Pounds

Tolerances

Dimensions are in Inches
Unless Otherwise Specified
Two Decimal Places: $\pm .125"$
Angular: $\pm 1^*$



Material: 304 Stainless Steel
Finish: Powder Coat
Approx Weight: 150 Pounds



PROPRIETARY AND CONFIDENTIAL

THE INFORMATION CONTAINED IN THIS DRAWING IS THE SOLE PROPERTY OF Global Pool Products. ANY REPRODUCTION IN PART OR AS A WHOLE WITHOUT THE WRITTEN PERMISSION OF Global Pool Products IS PROHIBITED.

This Document is for REFERENCE ONLY

2

1