

CT-3 GRAB RAIL:

PC

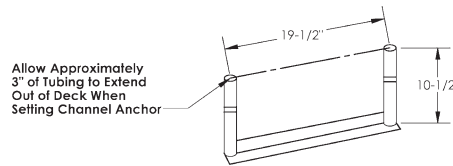
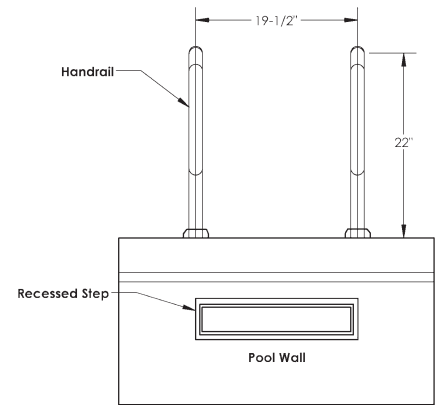
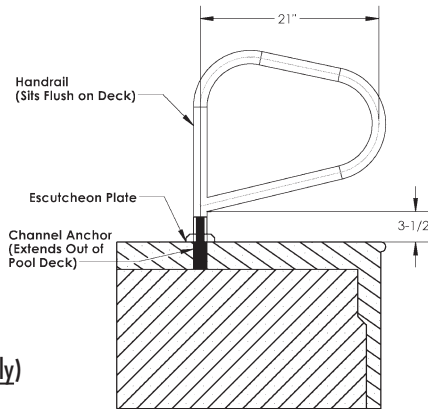


FEATURES:

- .049" Wall Stainless Steel Construction
- CT-3 Rail Uses Channel Anchor that Extends Out of the Deck
Rail Does NOT Utilize In-Deck Anchors
- 304 SS
- 1.625" OD

Part # CT-3049 (pair, anchor included)

Part # CT-3049single (single rail – for replacement only)



Rail slips over anchor and is secured with 5/16-18 x 2" SS ball (included)

NOTE: This product sold as pairs.

NOTE: Escutcheons sold separately w/SS products; included with powder coated rails.
All measurements on center.

SINGLE POST SPA RAIL

PC

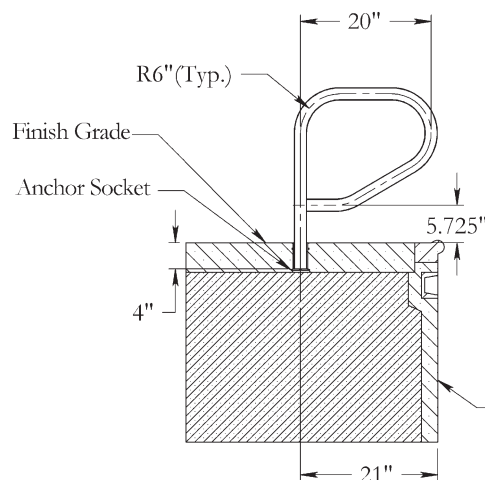
TP



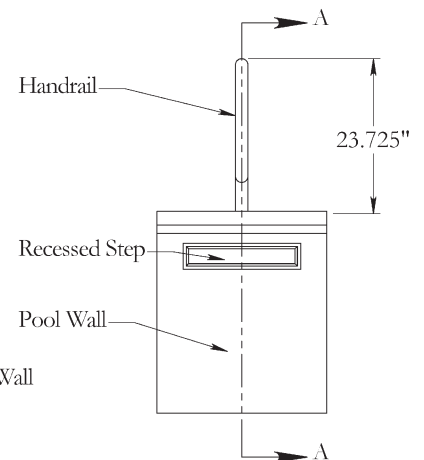
Part # SPA 1900

FEATURES:

- .049" Wall Stainless Steel Construction
- 304 SS and 316L
- 1.90" OD



SECTION A-A



ELEVATION

NOTE: Escutcheons sold separately w/SS products; included with powder coated and thermo plastic coated ladders and rails.
All measurements on center. Anchors are not included and recommended.