

# WILD RIDE™ SLIDE:

RESIDENTIAL SLIDES



## FEATURES:

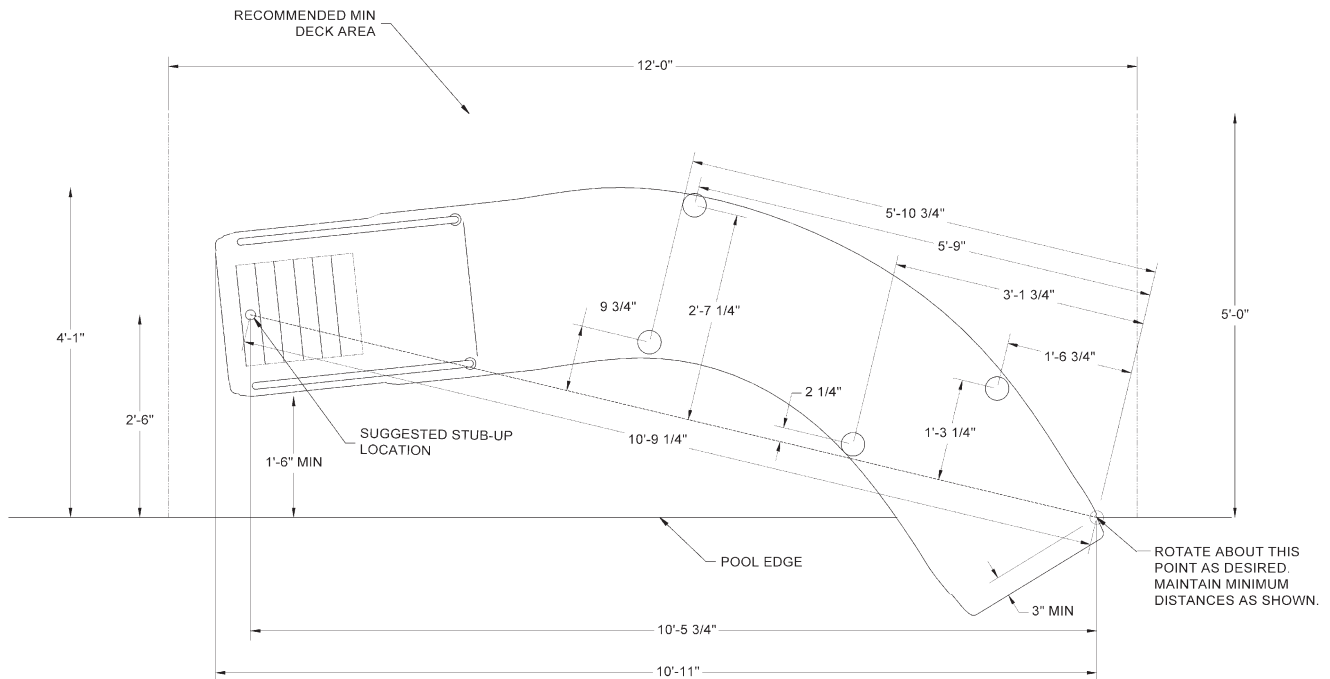
- Durable & Long Lasting Acrylic With Fiberglass Reinforcements
- Available in White, Tan, Gray & Blue
- Available in Right or Left Turn
- 77.5" High at Seating Area
- Flume Width = 21.5" (centerline)
- Flume Depth = 10.5"
- Zoom-Flume™ Water Supply System
- 15-30 GPM (Actual GPM rating will vary depending on specific pool size and pool equipment used.)
- Stainless Steel Rails, Legs & Hardware
- Exclusive Stainless Steel Deck Flanges
- Optional Powder Coated or Thermo Plastic Coated Rails & Legs
- Fully Molded Steps Provide Safe Access to Slide Flume
- Weight Limit = 250 Lbs.

## WILD RIDE™ - RIGHT

DESCRIPTION	PART NUMBER
Wild Ride Slide - right - white	Part #WRS-CR-SS
Wild Ride Slide - right - blue	Part #WRS-CRB-SS
Wild Ride Slide - right - tan	Part #WRS-CRT-SS
Wild Ride Slide - right - gray	Part #WRS-CRG-SS

comes w/ss hardware

## Wild Ride™ Footprint for RIGHT Turn Slide



# WILD RIDE™ SLIDE:



## FEATURES:

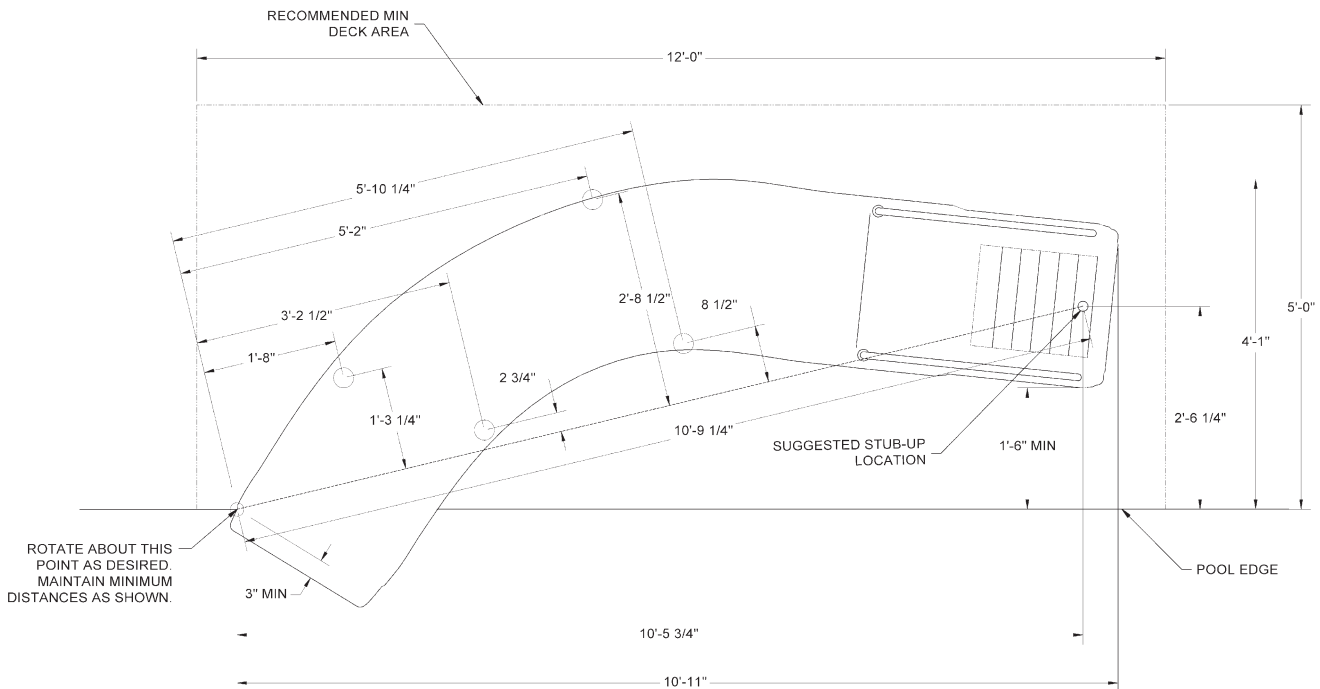
- Durable & Long Lasting Acrylic With Fiberglass Reinforcements
- Available in White, Tan, Gray & Blue
- Available in Right or Left Turn
- 77.5" High at Seating Area
- Flume Width = 21.5" (centerline)
- Flume Depth = 10.5"
- Zoom-Flume™ Water Supply System
- 15-30 GPM (Actual GPM rating will vary depending on specific pool size and pool equipment used.)
- Stainless Steel Rails, Legs & Hardware
- Exclusive Stainless Steel Deck Flanges
- Optional Powder Coated or Thermo Plastic Coated Rails & Legs
- Fully Molded Steps Provide Safe Access to Slide Flume
- Weight Limit = 250 Lbs.

## WILD RIDE™ - LEFT

DESCRIPTION	PART NUMBER
Wild Ride Slide - left - white	Part #WRS-CL-SS
Wild Ride Slide - left - blue	Part #WRS-CLB-SS
Wild Ride Slide - left - tan	Part #WRS-CLT-SS
Wild Ride Slide - left - gray	Part #WRS-CLG-SS

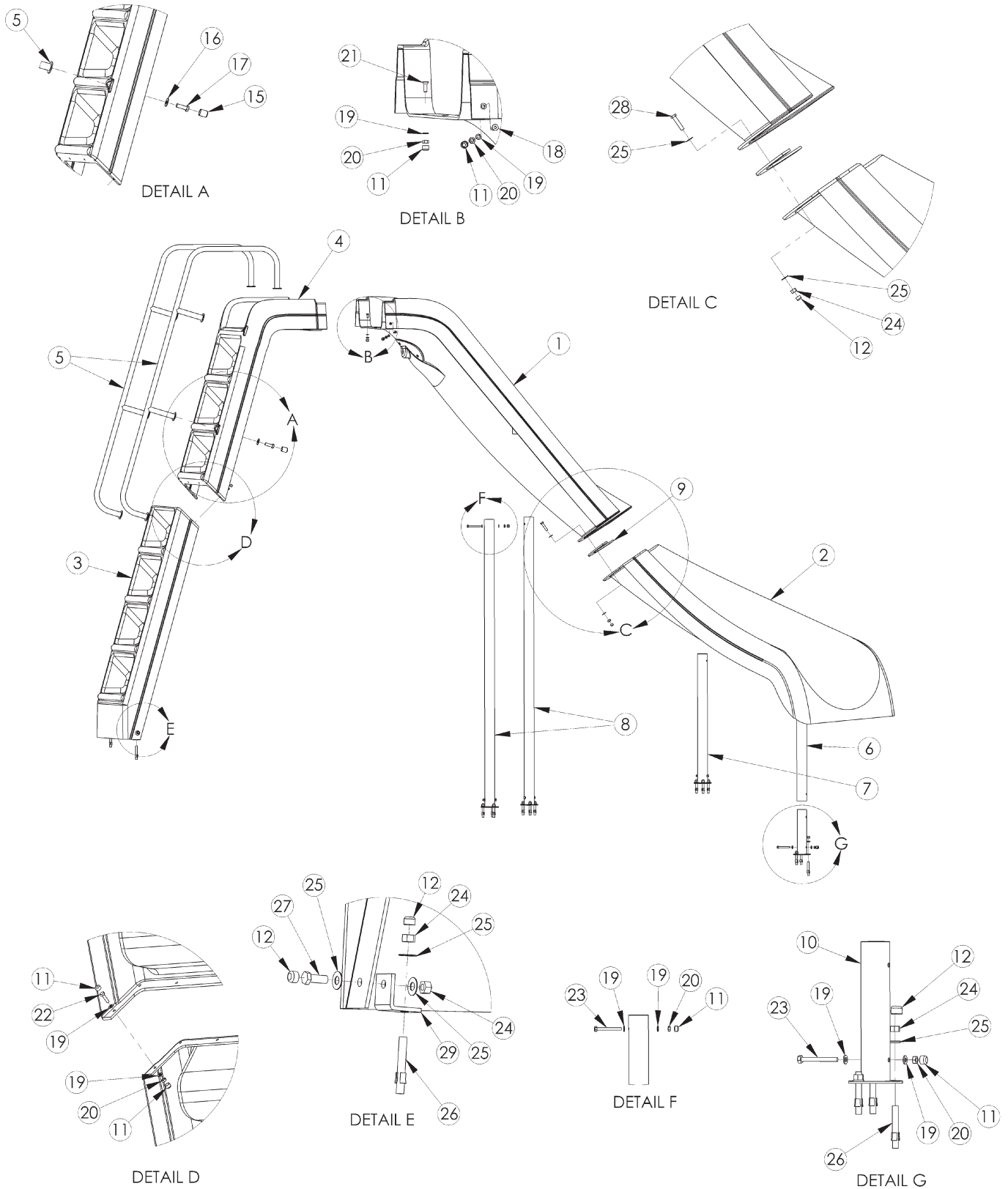
comes w/ss hardware

### Wild Ride™ Footprint for LEFT Turn Slide



RESIDENTIAL SLIDES

**WILD RIDE™ SLIDE (WRS-CR-SS):**



# WILD RIDE™ SLIDE (WRS-CR-SS):

ALL CHART INFORMATION BELOW CORRESPONDS WITH THE DRAWING ON THE PREVIOUS PAGE.



- SH-101: Handrails; Step to Step
- SH-102: Flume to Flume; Leg to Flume
- SH-103: Step to Deck
- SH-104: Protective Caps
- SH-106: Deck Anchors to Legs; Deck Anchor to Deck
- SH-107: Deck Anchor
- SH-108: Step to Flume

DRAWING REPRESENTS THE FOLLOWING PART NUMBERS:	
WRS-CL-SS	WRS-CR-SS (shown)

RESIDENTIAL SLIDES

ITEM #	COMPONENT	DESCRIPTION	HARDWARE KITS/PARTS KITS – QTY. COUNTS									
			SH-101	SH-102	SH-103	SH-104	SH-106	SH-107	SH-108	HOSE	WRS	
1	WRS-URUN-W-R	WILD RIDE UPPER RUNWAY										1
2	WRS-LRUN-W-R	WILD RIDE LOWER RUNWAY										1
3	WRS-LSTEP-W	WILD RIDE STEP LOWER SECTION										1
4	WRS-USTEP-W	WILD RIDE STEP UPPER SECTION										1
5	WRS-HD RAIL	WILD RIDE HANDRAIL										2
6	WW-24-1/2"-LEG	LEG, 24-1/2"										1
7	WW-22"-LEG	LEG, 22"										1
8	WW-54-1/2"-LEG	LEG, 54-1/2"										2
9	H-WRS/WW GASKET	GASKET, CLOSED CELL NEOPRENE SPONGE										1
10	DECK ANCHOR	9" STAINLESS STEEL DECK ANCHOR							1**			
11	H-.463 X .310 CAP	.463 X .310 PROTECTIVE CAP				25	1					
12	H-.562 X .390 CAP	.562 X .390 PROTECTIVE CAP				16	3					
13	H-1 BALL VALVE	1" BALL VALVE-SLIP WHITE										1*
14	H-1 SPA HOSE	10 FEET OF 1" PVC FLEX PIPE										1*
15	H-1 WHT CAP	.750 X 1" GRAY NUT CAP				6						
16	H-SS 1/2 F WAS	1/2" FLAT WASHER S.S.	8									
17	H-SS 1/2-13 BOL	1/2" X 1-1/2" HEX HEAD BOLT S.S.	8									
18	H-SS 1/4 FL HEAD	1/4-20 X 3/4" SOC FLAT C/S SS								2		
19	H-SS 1/4 FLAT W	1/4" FLAT WASHER SS 18.8	17	8			2					
20	H-SS 1/4 H NUT	1/4" HEX NUT SS	11	4			1					
21	H-SS 1/4 X 1-1/4 F	1/4-20 X 1-1/4" SOC FLAT C/S 1								3		
22	H-SS 1/4-20 X 1	1/4" X 1" HEX HEAD BOLT S.S.	6									
23	H-SS 1/4X2-1/4H	1/4" X 2-1/4" HEX HEAD BOLT S.S.		4			1					
24	H-SS 3/8 F NUT	3/8" HEX NUT SS		6	2		3					
25	H-SS 3/8 FLT WASHER	3/8" X 1" FLAT WASHER S.S.		12	4		3					
26	H-SS 3/8 WEDGE	3/8 X 2-3/4 WEDGE ANCHOR ST.ST			2		3					
27	H-SS 3/8X1 H B	3/8" X 1" HEX HEAD BOLT S.S.			2							
28	H-SS 3/8X1-3/4	3/8" X 1-3/4" HEX HEAD BOLT S.S.		6								
29	L-BRACKET	L-BRACKET, LADDER ANCHOR, WHITE								2		

\* not pictured

\*\* Comes with one (1) deck anchor and one (1) SH-106 kit. Must order one for each leg of the slide (4 total). 4 are included when ordering a complete slide.

### NOTES:

Wild Ride Slides available in both right and left turns.

Wild Ride slides available with optional custom powder coated or thermo plastic coated handrails and legs.

Check your local electrical code requirements for bonding requirements.