



- 01 **Slim:** With a sleek, but durable body, the PS Ultra works well in tight spaces
- 02 **Compatible:** Works with all nozzles for easy retrofitting
- 03 **Versatile:** PS Ultra is available in an array of sizes and pre-inserted nozzle options

## PS ULTRA SLIM-LINE SPRAY SPRINKLER

*PS Ultra is the Slim Spray with All the Features for Any Installation*

This compact slim-line spray sprinkler is available in 2", 4", and 6" models. Its innovative body incorporates a reliable two-piece ratchet, durable cap, male-threaded riser, and large filter screen, providing double filtration on 4" and 6" models. Additionally, the 2" and 4" models are retro-compatible with existing PS Spray bodies, which allow for a quick and easy upgrade. Standard PS Ultra models include a pre-installed Pro Adjustable Nozzle. A Flush Plug version is available without a nozzle or filter screen. With so many compatible nozzles to choose from, finding the most efficient solution for any application is simple and easy.

# PS ULTRA FEATURES & SPECIFICATIONS

## Features

- Application: Residential
- Models: 2", 4", 6"
- Optional preinstalled Pro Adjustable Nozzle
- Nozzle choices: 8A,10A, 12A, 15A, 17A, 5' x 30' side strip (side strip pattern available on 2" and 4" models only)
- Enhanced cap for more durability, easier handling, and extended riser seal life
- 2" and 4" models can retro-fit into older style PS sprays
- Two-piece ratchet
- Male threaded riser to accept all female nozzles
- Available with flush plug (large filter screen not included)
- Optional extra large filter screen
- Warranty period: 2 years

## Specifications

- Flow rate: 0.2 to 5.6 GPM
- Radius: 8' to 19'
- Recommended pressure range: 20 to 70 PSI
- Precipitation rates: 1.6 to 1.9 in/hr approx.

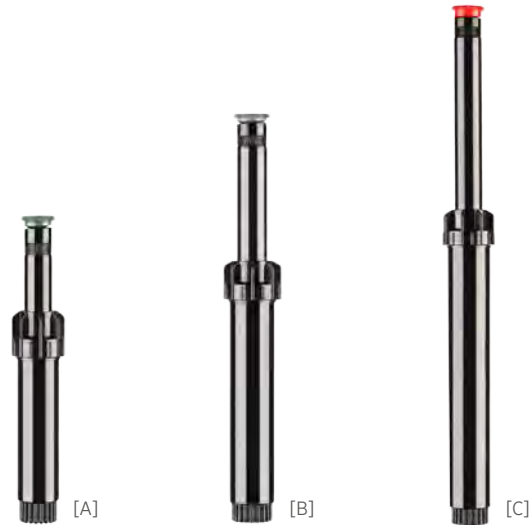
### PS ULTRA - SPECIFICATION BUILDER: ORDER 1 + 2 + 3 (OPTIONAL)

1	Model	2	Nozzles	3	Optional
<b>PSU-02</b> =	2" Pop-up	<b>(blank)</b> =	Flush plug, no large filter screen	<b>NFO</b> =	Nozzle filter only (Available for 4" model only)
<b>PSU-04</b> =	4" Pop-up	<b>8A</b> =	8' Adjustable nozzle		
		<b>10A</b> =	10' Adjustable nozzle		
		<b>12A</b> =	12' Adjustable nozzle		
<b>PSU-06</b> =	6" Pop-up	<b>15A</b> =	15' Adjustable nozzle		
		<b>17A</b> =	17' Adjustable nozzle		
		<b>5SS</b> =	5' x 30' Side Strip (2" and 4" only)		

#### Examples:

- PSU-02 - 5SS** = 2" Pop-up, with a 5' x 30' side strip
- PSU-06 - 10A** = 6" Pop-up, with a 10' adjustable nozzle
- PSU-04** = 4" Pop-up, with flush plug, large filter screen not included
- PSU-04 - 12A - NFO** = 4" Pop-up, with a 12' adjustable nozzle, nozzle filter only

## Models



### [A] PSU02

Overall height: 5"  
Pop-up height: 2"  
Exposed diameter: 1¼"  
Inlet size: ½" Female NPT

### [B] PSU04

Overall height: 7¼"  
Pop-up height: 4"  
Exposed diameter: 1¼"  
Inlet size: ½" Female NPT

### [C] PSU06

Overall height: 9½"  
Pop-up height: 6"  
Exposed diameter: 1¼"  
Inlet size: ½" Female NPT

### FLUSH PLUG

The PS Ultra comes equipped with a flush plug when ordered standard without a nozzle. The PS Ultra flush plug is composed of high quality materials and is directional, allowing the user to avoid uncontrolled flooding of the head area.



**Website** [hunterindustries.com](http://hunterindustries.com) | **Customer Support** 1-800-383-4747 | **Technical Service** 1-800-733-2823

Helping our customers succeed is what drives us. While our passion for innovation and engineering is built into everything we do, it is our commitment to exceptional support that we hope will keep you in the Hunter family of customers for years to come.

  
Gregory R. Hunter, President of Hunter Industries

