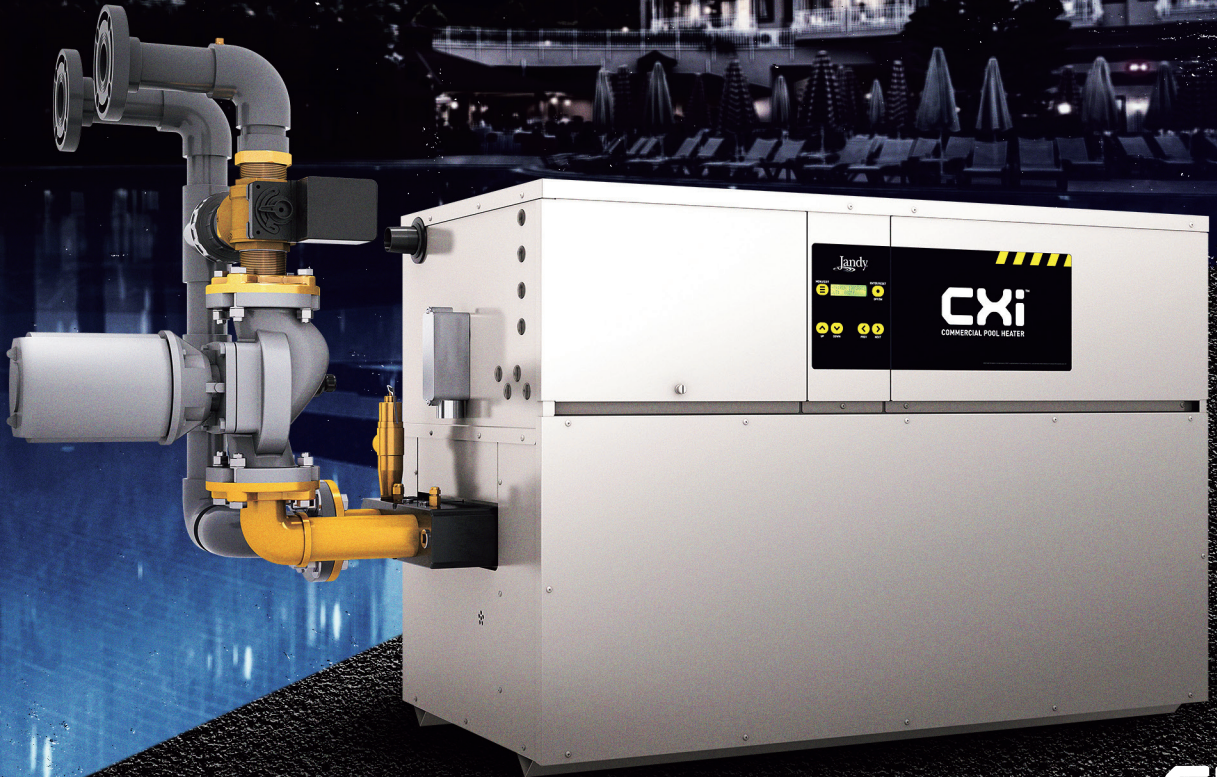


Jandy®



# CXi COMMERCIAL POOL HEATER

LOW NO<sub>x</sub> MID-EFFICIENCY GAS HEATER



**CXi™**  
COMMERCIAL  
POOL HEATER



# MAXIMIZE YOUR HEATING OPERATIONS AND INSTALLATION OPTIONS

A mid-efficiency, low NOx commercial gas pool heater that exceeds minimum federal efficiency standards with an 85% efficiency rating, the Jandy® CXi™ offers built-in Cold Water Protection and multiple installation options for indoor / outdoor use along with various venting solutions, including direct vent.



## EXCEPTIONAL THERMAL EFFICIENCY

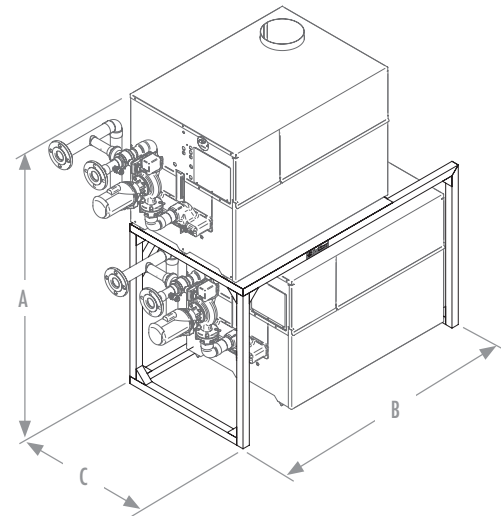
Heat the water, not the pump room. The Jandy CXi Commercial Pool Heater provides dramatically reduced operating costs with a certified 85% efficiency rating that exceeds minimum federal standards.

## DESIGNED TO FIT

Easy passage through a 36" door allows for hassle-free installations.

### Rack 'em and Stack 'em (Models 500-750)

MODEL NO.	A*	B**	C	WEIGHT
CXI500	73 1/2"	59"	24 1/2"	88 lbs.
CXI650	73 1/2"	80"	24 1/2"	150 lbs.
CXI750	73 1/2"	80"	24 1/2"	150 lbs.



## INFORMATION AT A GLANCE

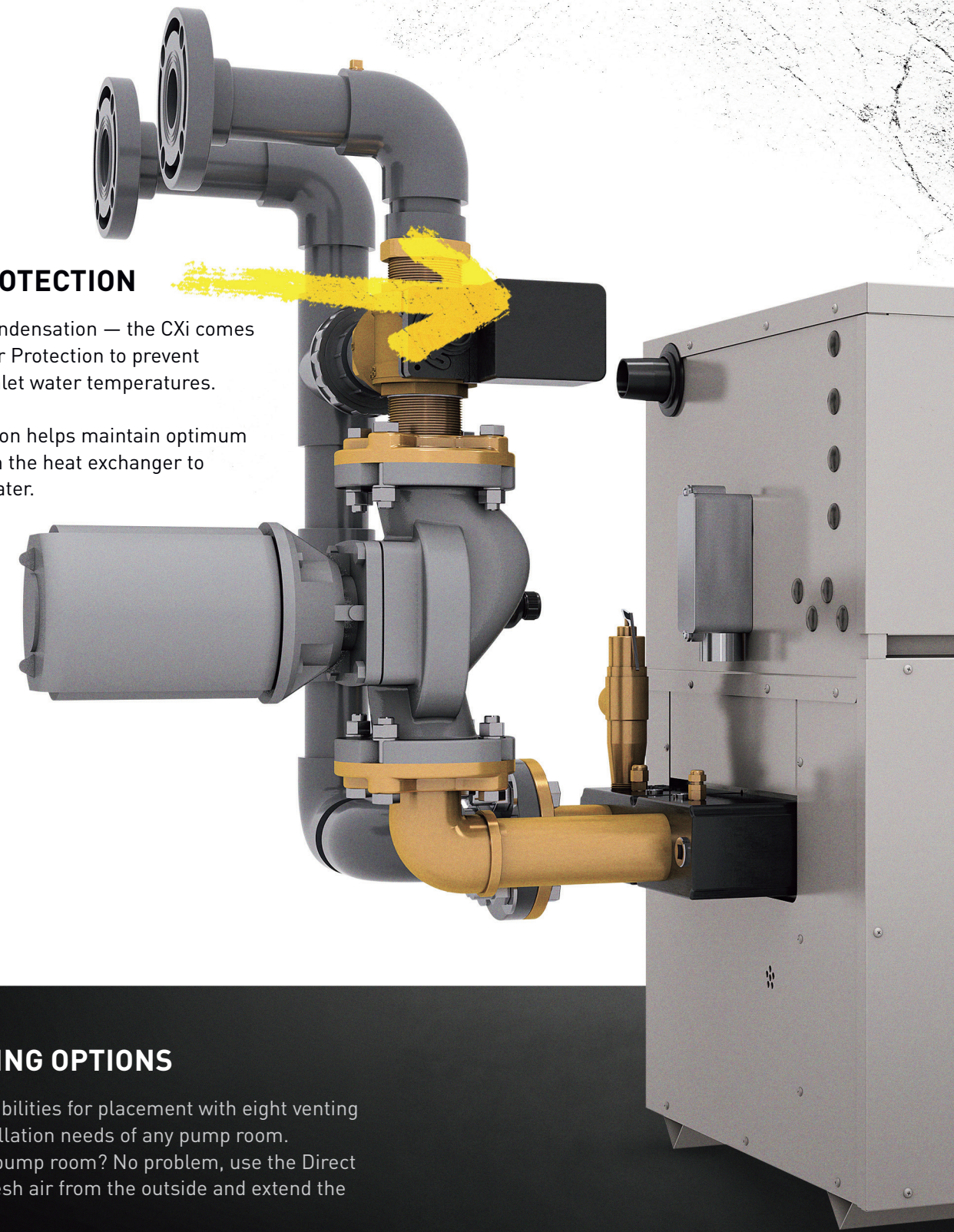
A state-of-the-art, integrated digital control interface allows for precise temperature control and diagnostic information using real language; not codes.

- 2-Line, 16-character LCD display of Setup, System Status and Diagnosis Data in words, not codes
- Built-in Cascade Sequencer controlling up to eight pool heaters
- Modbus protocol – optional

## COLD WATER PROTECTION

Designed to eliminate condensation — the CXi comes equipped with Cold Water Protection to prevent condensation from low inlet water temperatures.

Automatic water regulation helps maintain optimum inlet temperatures within the heat exchanger to prolong the life of the heater.



## MULTIPLE VENTING OPTIONS

Provides numerous possibilities for placement with eight venting options to meet the installation needs of any pump room. Chemicals stored in the pump room? No problem, use the Direct Vent option to bring in fresh air from the outside and extend the life of your heater.



Direct-Air Venting



Conventional



Direct-Air Vertical w-Sidewall Inlet



Power Direct-Air Horizontal



Sidewall



Outdoor



Powered Sidewall



Direct Vertical



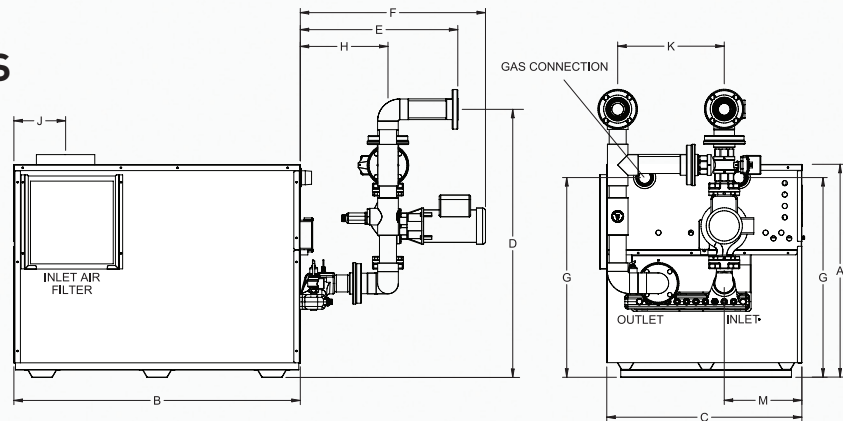


## CXi™ COMMERCIAL POOL HEATER

### Featured Product Specs:

- Vertical Vent – CAT 1; Horizontal Vent – CAT 3
- 3 Sizes - 500,000, 650,000 & 750,000 BTUH
- Integrated digital controller
- Vertical and horizontal venting; direct venting available with optional kit
- Propane or natural gas available – specify at time of order
- Includes field installed CPVC Schedule 80, 2" flange connections
- NO<sub>x</sub> – less than 30 PPM
- Cold Water Protection - prevents condensation

## DIMENSIONS & SPECIFICATIONS



MODEL NO.	INPUT MBH	A	B	C	D	E	F	G	H	J	K	M	VENT SIZE	AIR INLET	GAS CONN	SHIP WT.
CPN502	500	31 1/2"	45 1/2"	22 1/2"	38"	20 1/4"	26 1/2"	29"	9 3/4"	7"	12 3/4"	9"	6"	6"	1 1/4"	523
CPN652	650	31 1/2"	56 3/4"	22 1/4"	38"	20 1/4"	25 1/2"	29"	9 3/4"	8 1/2"	12 3/4"	9"	8"	8"	1 1/4"	665
CPN752	750	31 1/2"	64"	22 1/4"	38"	20 1/4"	26 1/2"	29"	9 3/4"	8 1/2"	12 3/4"	9"	8"	8"	1 1/4"	713

Notes: Change 'N' to 'L' for LP gas models. Water connections are 2" flanged.  
 Performance data is based on manufacturer test results.  
 \*Cupro-Nickel Heat Exchanger is standard on these models.

Jandy.com | 1.800.822.7933

©2020 Zodiac Pool Systems LLC. All rights reserved. ZODIAC® is a registered trademark of Zodiac International, S.A.S.U., used under license. All other trademarks are the property of their respective owners. 4968\_SL