

RECHARGEABLE POOL VACUUM
ASPIRATEUR RECHARGEABLE SANS FIL
LIMPIAFONDOS RECARGABLE INALÁMBRICO
ASPIRADOR DE PISCINAS RECARREGÁVEL
ASPIRATORE PER PISCINA RICARICABILE
WIEDERAUFLADBARER POOLSAUGER
HERLAADBARE BODEMZUIGER

EV57

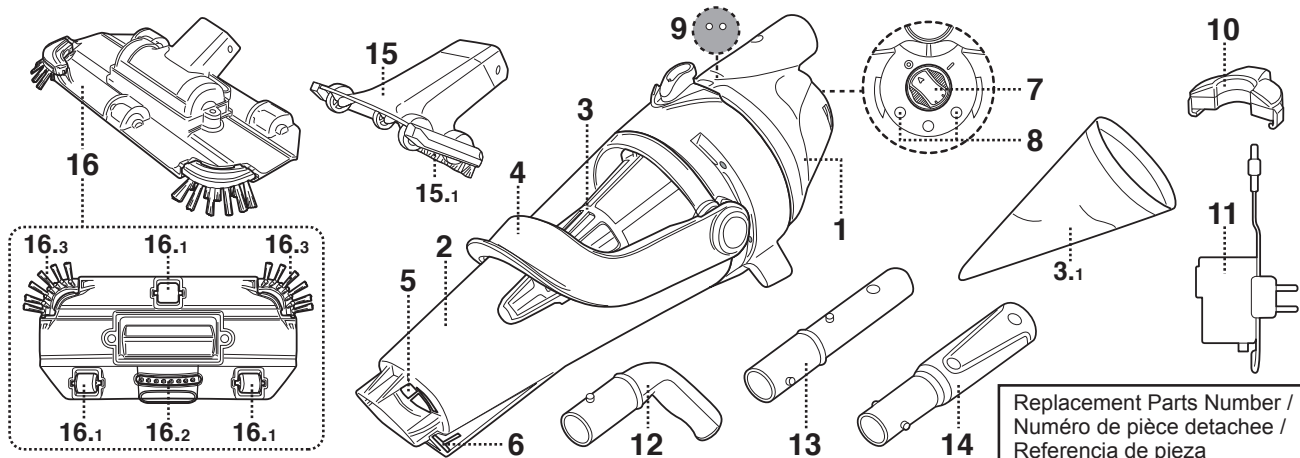
VEKTRO[®] PRO



PART DIAGRAM / SCHÉMA DES PIÈCES / DIAGRAMA DE PIEZAS / DIAGRAMA DE PARTES / ESPLOSO RICAMBI/ TEILEÜBERSICHT/ ONDERDELEN OVERZICHT	P.1-2
USER MANUAL	P.3-14
MANUEL D'UTILISATION	P.15-26
MANUAL DE USUARIO	P.27-38
MANUAL DO USUÁRIO	P.39-50
MANUALE D'USO	P.51-62
BEDIENUNGSANLEITUNG	P.63-74
HANDLEIDING	P.75-86
ADDENDUM SHEETS/ FICHES ADDENDUM/ HOJAS DE ADENDA/ FOLHAS DE ADENDOS/ FOGLI AGGIUNTIVI/ NACHTRAGSBLÄTTER/ AANVULLENDE BLADEN	P.87
QUICK SET UP/ INSTALLATION RAPIDE/ CONFIGURACIÓN RÁPIDA / CONFIGURAÇÃO RÁPIDA / CONFIGURAZIONE RAPIDA/ SCHNELLER EINRICHTUNG/ SNELLE INSTALLATIE	P.89-90
WARRANTY/ GARANTIE/ GARANTÍA/ GARANTIA / GARANZIA/ GARANTIE/ GARANTIE	P.91-92

VEKTRO® PRO

PARTS DIAGRAM / DIAGRAMME DES PIÈCES / DIAGRAMA DE LAS PARTES

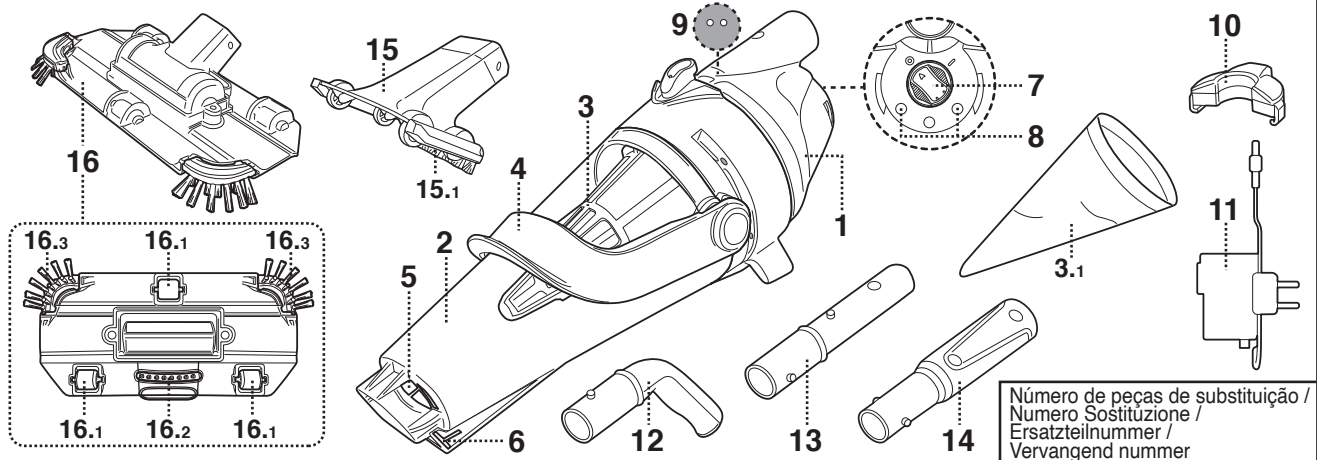


Replacement Parts Number /
Numéro de pièce détachée /
Referencia de pieza

1.	Main body	Unité principale	Unidad principal	EV57ASM01 EV57ASM01/US (USA)
2.	Transparent canister	Couvercle transparent	Contenedor transparente	EV56-01/VEK
3.	Filter cone x1	Cône filtrant x1	Filtro cónico x1	EV56-02/VEK
3.1	Filter sock (for filtering fine particles)	Poche filtrante (pour filtrer les particules fines)	Filtro de calcetín (para partículas finas)	EV56-03
4.	Canister lever	Levier du couvercle	Palanca de la contenedor	-----
5.	Suction nozzle flap	Volet de tuyère d'aspiration	Solapa de la boquilla de succión	EV56ASM02/VEK
6.	Water draining valve	Valve de drainage	Válvula de drenaje de agua	
7.	Power ON / OFF Switch	Interrupteur Marche / Arrêt	Interruptor de Encendido / Apagado	-----
8.	Charging contact plate	Plaques de contact (pour la recharge)	Placa de contacto para la recarga	-----
9.	Draining holes (inside handle / pole connector chamber)	Orifices d'évacuation (à l'intérieur de la chambre de poignée / connecteur de manche)	Orificios de drenaje (dentro de la cámara del mango / conector de pértiga)	-----
10.	Charging base	Base de chargement	Base del carga	K629ASM11
11.	External adaptor	Adaptateur externe	Adaptador externo	K62900163/EU EV5000163/US (USA) K62900163/AU (Australia / New Zealand) (Australie / Nouvelle-Zélande) (Australia / Nueva Zelanda)
12.	Handle	Poignée	Mango	K629ASM14/ORG
13.	Telescopic pole connector (for USA / EU only)	Connecteur de manche télescopique (uniquement pour l'USA / EU)	Conector de pértiga telescópica (solo para USA / EU)	K629ASM13/ORG
14.	Specific telescopic pole connector (for Australia / New Zealand only)	Connecteur de manche télescopique spécifique (uniquement pour l'Australie / Nouvelle-Zélande)	Conector de la pértiga telescópica específico (solo para Australia / Nueva Zelanda)	EV30-12/ORG
15.	Wide- mouth nozzle	Embout à large ouverture	Boquilla boca ancha	EV85-01
15.1	Back brush of wide-mouth nozzle x2	Brosse arrière de la buse à ouverture large x2	Cepillo trasero del boquilla boca ancha x2	EV85-01-001
16.	Pivoting suction head (with side brushes)	Tête pivotante aspirante (avec des brosses latérales)	Cabeza de aspiración pivotante (con cepillos laterales)	EV56-11/VEK
16.1	Wheel x3	Roue x3	Rueda x3	EV35ASM03R/VEK
16.2	Brush x1	Brosse x1	Cepillo x1	EV35ASM04/VEK
16.3	Side brush x2	Brosse latérales x2	Cepillo laterales x2	

VEKTRO® PRO

DIAGRAMA DE PARTES / ESPLOSO RICAMBI / TEILEÜBERSICHT / ONDERDELEN OVERZICHT



Número de peças de substituição /
Numero Sostituzione /
Ersatzteilnummer /
Vervangend nummer

	PT	IT	DE	NL	
1.	Corpo principal	Unità principale	Haupteinheit	Hoofdeenheid	EV57ASM01 EV57ASM01/US (USA)
2.	Recipiente transparente	Contenitore trasparente	Durchsichtiger Behälter	Transparante kap	EV56-01/VEK
3.	Cone do filtro x1	Coni del filtro x1	Filterkonus x1	Filterkegel x1	EV56-02/VEK
3.1	Meia de filtro (para filtração de partículas finas)	Calza filtrante (per filtrare le particelle fini)	Filterschlauch (zum Filtern feiner Partikel)	Filtersok (voor het filteren van fijne deeltjes)	EV56-03
4.	Alavanca do recipiente	Leva del contenitore	Behälterhebel	Handel van de kap	-----
5.	Aba de bocal de sucção	Aletta del becco di aspirazione	Saugdüsenklappe	Zuigmondklep	EV56ASM02/VEK
6.	Válvula de drenagem de água	Valvola di drenaggio	Entwässerungsventil	Waterafvoerklep	
7.	Interruptor ligar / desligar	Interruttore alimentazione Accensione / Spegnimento	EIN / AUS Schalter	Aan / uit-schakelaar	-----
8.	Placa de contacto de carregamento	Piastre di contatto per la ricarica	Ladekontaktplatte	Laadcontactplaten	-----
9.	Orifícios de drenagem (alça interna/câmara do conector do póio)	Fori di scarico (all'interno della camera del connettore maniglia/asta)	Entwässerungslöcher (in Griffkammer/ Polverbinderkammer)	Afvoergaten (in de uitsparing voor de handgreep/ Koppelstuk voor paal)	-----
10.	Base de carregamento	Base per la ricarica	Ladestation	Laadstation	K629ASM11
11.	Adaptador externo	Adattatore esterno	Externer Adapter	Externe adapter	K62900163/EU EV5000163/US (USA) K62900163/AU (Australia / Nova Zelândia) (Australia / Nuova Zelanda) (Australien / Neuseeland) (Australië / Nieuw-Zeeland)
12.	Alça	Manico	Griff	Handgreep	K629ASM14/ORG
13.	Conector do Mastro telescópico (apenas para EUA / UE)	Connettore per palo telescopico (solo per USA / EU)	Teleskopstangenkupplung (nur für USA / EU-Länder)	Koppelstuk voor telescopische paal (alleen voor USA / EU-landen)	K629ASM13/ORG
14.	Conector do mastro telescópico específico (apenas para Austrália / Nova Zelândia)	Connettore per palo telescopico specifico (solo per Australia / Nuova Zelanda)	Soezifische Teleskopstangenkupplung (nur für Australien / Neuseeland)	Specifiek koppelstuk voor Specifiek telescopische paal (alleen voor Australië / Nieuw-Zeeland)	EV30-12/ORG
15.	Bocal de boca larga	Ugello a bocca ampia	Breitmauldüse	Brede zuigkop	EV85-01
15.1	Escova traseira do bocal de boca larga x2	Spazzola posteriore della ugello a bocca ampia x2	Rückenbürste der Breitmauldüse x2	Achterste borstel van de brede zuigkop x2	EV85-01-001
16.	Cabeça de sucção de rebitagem (Com escovas laterais)	Testa aspirante pivotante (con spazzole laterali)	Schwenkbarer Saugkopf (mit seitlichen Bürsten)	Zwenkbare zuigkop (met zijborstels)	EV56-11/VEK
16.1	Roda x3	Ruote x3	Rad x3	Wiel x3	EV35ASM03R/VEK
16.2	Escova x1	Spazzole x1	Bürste x1	Borstels x1	EV35ASM04/VEK
16.3	Escova lateral x2	Spazzole laterali x2	Seitliche Bürste x2	Zijborstels x2	

Remark: Depending on the model you own, accessories/ parts shown in this manual are not necessarily included in every model.


Product/parts in photos/drawings may vary with the model purchased. Check the spare parts drawing to understand the parts included in your model purchased.

SAFETY WARNINGS & INSTRUCTIONS

Information contained in this Instruction Manual will help you operate the item safely, protect yourself and others from hazards, and prevent damage to the device and other property.

SAVE THESE INSTRUCTIONS

WARNING!

- This is not a TOY. Children should be kept out of reach from this pool vacuum and its accessories.
- Never allow children to operate this pool vacuum.
- This appliance is not intended for use by persons with reduced physical, sensory, mental capabilities, or a lack of experience and knowledge, unless they are given supervision or instructions concerning the safe use of the appliance and understand the hazards involved by a person responsible for their safety.
- Children must not play with this product.
- Cleaning and maintenance of the pool vacuum must not be carried out by children.
- Make sure the pool vacuum is fully immersed in the pool before initiating operation. The minimum water level required to operate the pool vacuum must reach above the power ON/OFF switch of the pool vacuum when it is held in a vertical position. Operating the pool vacuum when it is not immersed correctly could damage the unit and void the warranty.
- Maximum operating depth in water is 3 meters (9.8ft).
- Maximum water temperature: 5°C (41°F) – 42°C (107.6°F)
-  Detachable supply unit (external adaptor).
- The pool vacuum should only be recharged with the external adaptor and charging base delivered with this product.
- For the purposes of recharging the battery, only use the detachable supply unit that provided with this pool vacuum to charge the battery.
- Connect the external adaptor to a power source through a residential current device (RCD) / a ground fault circuit interrupter (GFCI). If in doubt, consult a qualified electrician.
- Do NOT use this pool vacuum if any damage is detected.
- Replace damaged parts with ones that are certified by the distributor or manufacturer.

- Turn off the power, disconnect the external adaptor from the power source, and unplug the external adaptor from the charging base before detaching the pool vacuum from the charging base.
- Disconnect the pool vacuum from the supply mains and make sure the pool vacuum is OFF prior to carrying out regular maintenance – such as cleaning the filter and the charging contact plates.
- DO NOT attempt to replace the installed rechargeable Li-ion battery pack.
- DO NOT handle the pool vacuum, external adaptor, and charging base while it is charging with wet limbs and without shoes.
- Ensure that children do not attempt to access the pool vacuum while it is operating.
- DO NOT use this pool vacuum without an intact filter cone in place, as your warranty will be voided as a result.
- Suction entrapment hazard: This pool vacuum generates suction. Do not allow hair, body, or any loose parts of your clothing to make contact with the suction hole of the pool vacuum during its operation.
- Never insert body parts, clothing or other objects into the openings and moving parts of the pool vacuum.
- DO NOT use this pool vacuum to pick up any toxic substance, flammable, and combustible liquids (i.e. gasoline) in the presence of explosive or flammable fumes.
- Under no circumstances should you attempt to disassemble the pool vacuum and replace the impeller, motor, and battery by yourself.
- Never insert fingers or any object to touch the impeller.
- The built-in battery must be removed by a skilled technician before it is scrapped.
- This pool vacuum contains a battery that are only to be removed by skilled persons.
- The pool vacuum must be disconnected from the supply mains as the battery is removed.
- For details regarding battery recycling/disposal, refer to the section “BATTERY DISPOSAL” in this manual and contact your local authorities for more information.
- The battery must be disposed safely in accordance with local ordinances or regulations.
- External adaptor and charging base:
 - Never use the external adaptor and charging base for anything other than charging the battery of the pool vacuum that is supplied in the same pack.
 - The external adaptor and charging base should not be used outdoors, nor should it be exposed to rain, humidity, and any liquid or heat.

- The transformer (or external adaptor) is to be located outside zone 1
- Keep the external adaptor and charging base out of reach of children.
- Never use the external adaptor and charging base if any damage is detected.
- DO NOT handle the external adaptor and charging base with wet hands.
- DO NOT handle the pool vacuum, external adaptor, and charging base while charging with wet hands and without shoes.
- Keep the external adaptor disconnected from power when it is not in use.
- Never attempt to open the external adaptor and charging base.
- If the supply cord of the external adaptor is damaged, the external adaptor must be replaced by the manufacturer or its service agent to prevent hazards of any kind.
- Make sure the pool vacuum and the charging base are completely dry before charging.

CAUTION!

- This pool vacuum is designed for underwater use only; it is not an all-purpose vacuum cleaner. DO NOT attempt to use it to clean anything other than your pool.
- Use only original accessories delivered with this product.
- DO NOT use this pool vacuum right after pool-shocking. It is recommended to leave the pool circulating for at least 24-48 hours.
- If you are planning on using the pool vacuum in a saltwater pool, make sure all salt are dissolved before deploying the pool vacuum.
- DO NOT use this pool vacuum with another automatic cleaner/cleaner simultaneously in the pool.
- Avoid picking up hard, sharp objects with this product. They may damage the pool vacuum and filter.
- Exercise caution when cleaning pool stairs.
- To avoid damages to the external adaptor and charging base, do not attempt to carry the pool vacuum by the cord of external adaptor / charging base or pull the cord to disconnect it from the power source and charging base.
- Charge the pool vacuum indoor in a clean, dry area with good ventilation and an ambient temperature between 5°C (41°F) and 35°C (95°F).
- DO NOT leave the pool vacuum charged for over 10 hours.
- If the pool vacuum will not be used for an extended period, detach it from the charging base and use a damp cloth to clean and dry the pool vacuum and accessories. Make sure to charge the pool vacuum to about 30% to 50% of the battery capacity before it is stored. Store in a well-ventilated area away from sunlight, heat, ignition sources, pool chemicals, and children. Never leave the pool vacuum plugged in for long-term storage. Recharge the pool vacuum every three months.

Above warnings and cautions are not intended to incorporate all possible instances for risks and / or severe injuries. Pool / spa owners should always exercise extra caution and common sense when utilizing the product.

GETTING STARTED

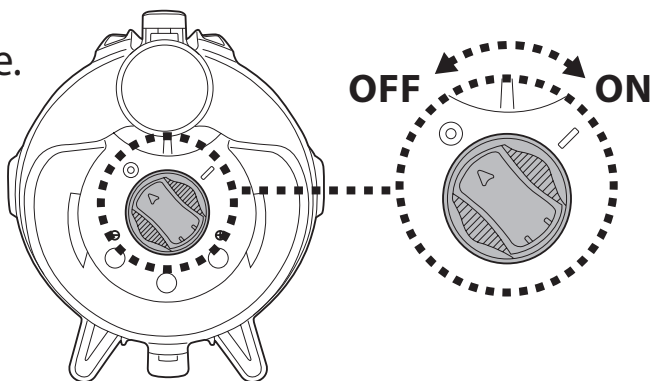
Charging The Battery

IMPORTANT NOTE: Fully charge the pool vacuum (about 6 hrs) before using it for the first time.

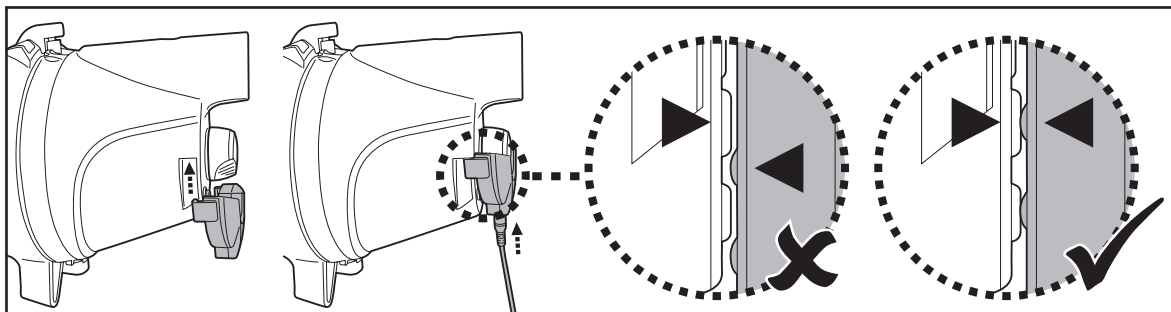
WARNING!

- Use only the original external adaptor and charging base provided.
- Make sure the pool vacuum and the charging contact plates are clean and dry before set-up and charging. (TIPS: Use a cotton bud to dry the charging contact plates)
- Charging must be done indoors, in a well-ventilated area away from sunlight, children, heat, ignition sources, and with an ambient temperature between 5°C (41°F) and 35°C (95°F).
- Never use the external adaptor and charging base if any damage is detected.
- The charging contact plates are waterproof. However, remnants of water on the contact plates could result in natural occurrence of stains (a byproduct of chemical reaction between water and electric currents). Otherwise, the stains can be removed by light scrubbing with a cotton bud soaked with juice of lemon or vinegar.
- Make sure that the pool vacuum is turned off prior to charging.

1. Place the unit on a flat surface. Make sure the pool vacuum is off by turning the power ON/OFF switch to the OFF position prior to charging.



2. Align and slide the hook of the charging base onto the side notch at the bottom of the rear body until it stops. Make sure their contact plates are properly in contact. Plug the female jack of the external adaptor into the charging port at the end of the charging base.



3. Connect the external adaptor to the power source. Once the pool vacuum begins charging, the indicator light on the external adaptor will turn red. Normally, it takes about 5-6 hours to reach a full charge. The indicator light will turn green when the pool vacuum is almost fully charged.

NOTE: if the motor is generating noise, ensure “OFF” is selected on the power switch.

- Immediately disconnect the external adaptor from the power source if you detect any of the following:
 - Offensive or unusual odor
 - Excessive heat
 - Deformation, cracks, leaks
 - Smoke

4. When charging is complete, disconnect the external adaptor from the power source and detach the charging base from the unit and external adaptor.

Normally, the pool vacuum can operate up to 40 minutes (for Model EV56) / 90 minutes (for Model EV57) on a full charge (charged for 5-6 hours).

Note: Clean the filter regularly. Excessive debris increases the burden to the motor operation and shortens the operating duration as a result.

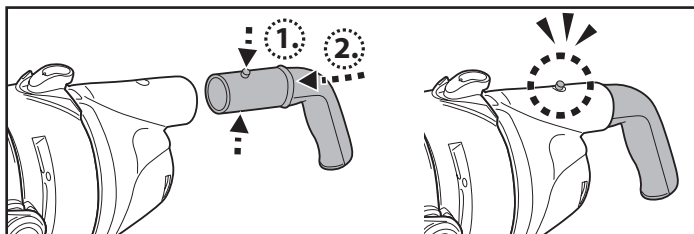
FACT: Rechargeable lithium-Ion battery is classified as a consumable item. It has a limited life and will gradually lose its capacity to hold a charge. Therefore, running time of the pool vacuum will gradually reduce through repeated charging and discharging in operation.

Once the lifespan of the battery reaches its end, refer to section “BATTERY DISPOSAL” for instructions regarding battery disposal.

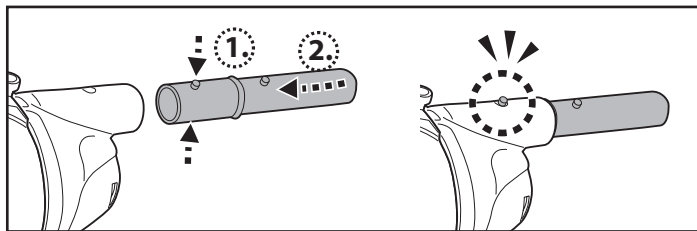
NOTE: Let the pool vacuum rest for 30 to 40 minutes before charging it again.

Set-Up Before Use

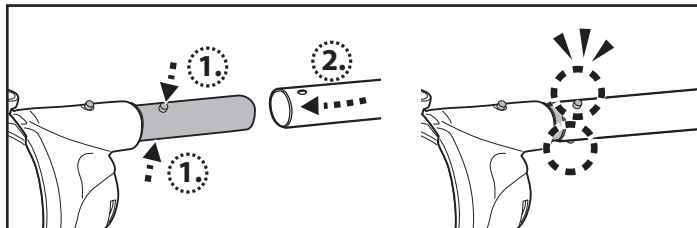
Handle Assembly



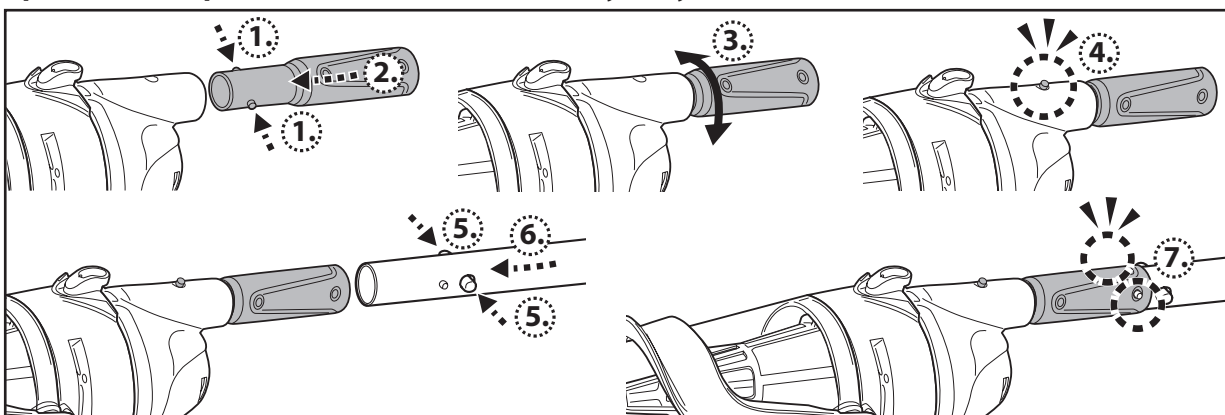
Pole Connector Assembly



Telescopic Pole (Not Included) Assembly (only for EU & USA)



Specific Telescopic Pole (Not Included) Assembly (only for Australia & New Zealand)

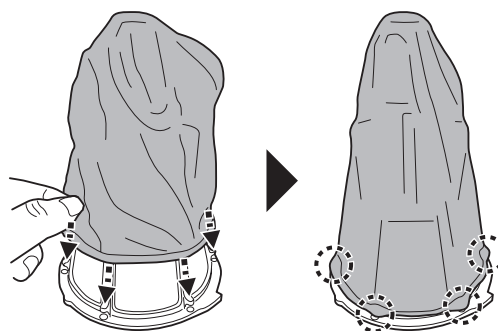


Filter Sock Assembly

(Remark: Filter sock is not necessarily included with every model)

- **NOTE:** A filter sock is provided for filtering fine particle.

Put the sock onto the cone and stretch it down to the end. Hook the sock edge onto the locking knobs along the filter cone.



Pool Preparation

- If there are stones, roots or metal corrosion in contact with the underside of the liner, discard them prior to using the pool vacuum. If necessary, seek assistance from a qualified professional.
- If the liner is brittle, damaged or wrinkled, contact a qualified professional to perform the necessary repairs or perform a liner replacement prior to using the pool vacuum.
- If you are using a saltwater pool, make sure all salt are dissolved before placing the pool vacuum into the water.

OPERATION

WARNING!

- Make sure the pool vacuum is off.
- Do not use the pool vacuum if any damage is detected.
- Oil stain could occur due to possible leakage of lubricants applied to the O-ring.
- Make sure the pool vacuum is fully immersed in the pool before initiating operation. The minimum water level required to operate the pool vacuum must reach above the power ON/OFF switch of the pool vacuum when it is held in a vertical position. Operating the pool vacuum when it is not immersed correctly could damage the unit and void the warranty.
- DO NOT use the pool vacuum without an intact filter cone in place. Using your pool vacuum without an intact filter cone in place will VOID your warranty.
- DO NOT cover the side slot of the vacuum during operation. The impeller / motor may be damaged as a result.
- DO NOT leave the pool vacuum in the water when it is not in use.
- Ensure the charging base is detached before the pool vacuum is deployed.

1) Bring your pool vacuum to the side of your pool / spa. Immerse the pool vacuum in water and turn the power ON/OFF switch to the ON position to initiate operation.

CAUTION! Make sure the pool vacuum is always facing downwards when it is placed into the pool. Otherwise it may bend the pole connector and damage it during the process.

2) To remove the pool vacuum from the pool, lift the pool vacuum while pointing it downwards in order to allow water to escape from the outlet valve. Water is going to escape via the handle / pole connector and draining holes inside the handle chamber on the rear body.

CAUTION! Make sure the pool vacuum is always facing downwards when it is removed from the pool. Otherwise, the pole connector may be bent and damage the pool vacuum in the process.

3) Rinse the pool vacuum with fresh water after every use. DO NOT use any detergent.

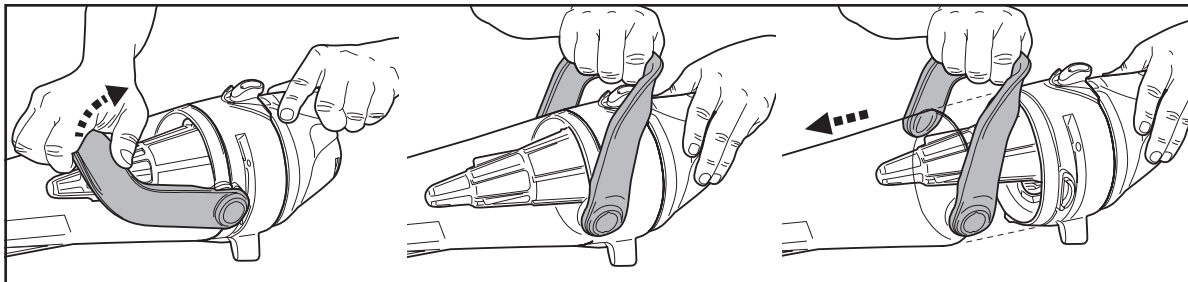
Emptying the filter / Cleaning the filter sock

WARNING! Using the pool vacuum without a filter cone in place will VOID your warranty.

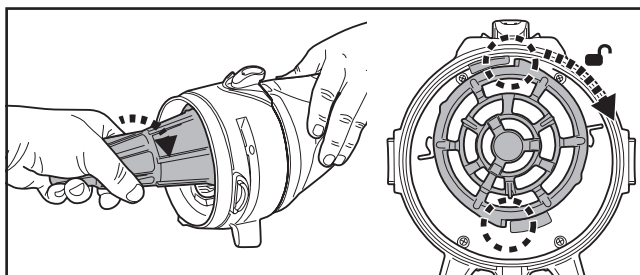
In order to maximize the cleaning efficiency, be sure to clean the filter sock/filter cone before and after each use.

CAUTION! If the pool vacuum is charging, disconnect the external adaptor from the power source and detach the pool vacuum from the charging base. Make sure the pool vacuum is OFF.

- 1) Place the pool vacuum on a stable surface.
- 2) Hold the pool vacuum and pry up the canister lever to the end to completely release the side locks.



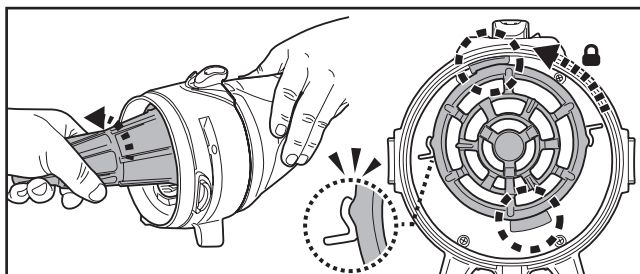
- 3) Detach the canister and carefully unhook the sock from the filter cone. Remove the sock and turn the filter cone clockwise until it stops. Take the filter cone out of the cleaner.



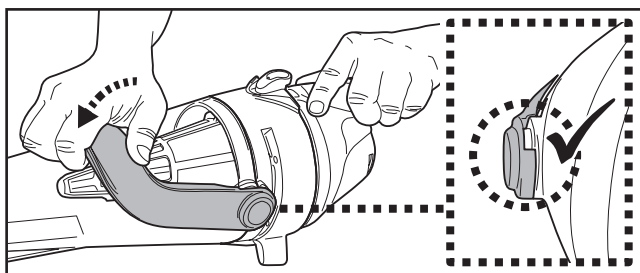
CAUTION! Replace the damaged filter sock/ filter cone immediately before the next operation.

- 4) Rinse the filter sock with clean water.
- 5) Clean out the debris from the hood and rinse the filter cone with water. If brushing is deemed necessary, use only a soft brush to clean the filter cone gently and carefully.

- 6) Reverse the previous steps to re-assemble the filter sock/ filter cone. Turn filter cone anticlockwise until its side tab is secured inside the notch of both sides as shown. You will hear a "click" sound.



- 7) Align and re-assemble the canister to the pool vacuum and make sure the lever is secured by pushing it down all the way to the hood.



MAINTENANCE & STORAGE

NOTE:

- 1) Be sure to clean and dry the charging contact plates after every use to avoid the forming of stains (byproduct of a natural chemical reaction between electric current and water). Otherwise, the stains can be removed by light scrubbing with a cotton bud soaked with juice of lemon or vinegar.
- 2) Battery discharges on its own during storage. Make sure to charge the pool vacuum to about 30% to 50% of the battery capacity before it is stored.
- 3) You must re-charge the battery at least once every three months when it is not in use.
 - Unplug the external adaptor from socket and then unplug the adapter jack from the charging base.
 - Detach accessories from the pool vacuum. If necessary, rinse the pool vacuum and accessories with fresh water. DO NOT use detergent.
 - Make sure to drain the water from the unit, handle and pole connector.
 - Use a damp cloth to clean and dry the pool vacuum and its accessories.
 - Store them in a well-ventilated area away from the sunlight, children, heat, ignition sources, and pool chemicals. Ambient temperature for storage should be 10°C – 25°C (50°F – 77°F). NOTE: A higher temperature may reduce the battery life during storage.

WARNING!

- Never attempt in any way to disassemble the pool vacuum.
- Under no circumstances should you attempt to disassemble the pool vacuum and replace the impeller, motor and battery by yourself.

CAUTION !

- Excessive heat can damage the battery and reduce its lifespan as a result.
- Consult your dealer regarding battery replacement if the following happens:
 - Battery does not charge fully.
 - Battery operation time is noticeably reduced. Observe and record the run times of the first few operations (on a full charge). Use these run times as a reference point for comparison with run times in the future.
- The battery must be removed from the pool vacuum before it is scrapped.
- The pool vacuum must be disconnected from the supply mains when removing the battery
- The battery is to be disposed safely and according to local ordinances or regulations.

NOTE: Incorrect maintenance may reduce the battery life and affect its capacity as a result.

BATTERY DISPOSAL (To be carried out by an authorized technician)

Your robot is equipped with a maintenance - free rechargeable lithium-ion battery pack, which must be disposed of properly. Recycling is required; please contact your local authority for more information.

WARNING! Never attempt to disassemble a battery pack.

- Remove all personal items such as rings, bracelets, necklaces and watches when the battery pack is unwired from the robot.
- A battery can produce a short circuit current high enough to weld a ring (or similar item) to metal, causing a severe burn in the process.
- Wear complete eye protection, gloves and protective clothing when the battery pack is being removed.
- Avoid touching the wires altogether and avoid contact between them and any metal items, which could cause sparking and/or short circuit the battery.
- Never smoke or allow a spark or flame in the vicinity of the battery or the robot.
- Do not expose the battery to fire or intense heat as this may result in an explosion.

CAUTION!

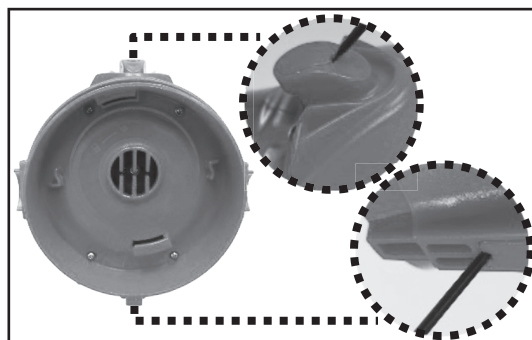
If a battery leak occurs, avoid any contact with the leaking fluids and place the damaged battery in a plastic bag.

- If leaking fluids come in contact with skin and clothing, wash immediately with plenty of soap and water.
- If leaking fluids come in contact with eyes, do not rub eyes, immediately flush eyes with cool running water for at least 15 minutes and do not rub them. Seek medical attention as soon as possible.

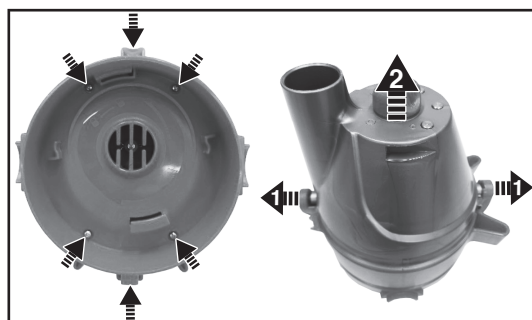
How to remove the battery pack for battery disposal only (To be done by authorized technician)

Recommended tools (not included): Philips screwdriver.

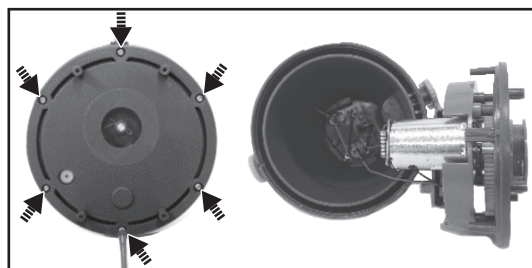
- 1) Follow instructions to release the canister and filter cone.
- 2) Use small flat screwdriver to pry and remove the screw covers as shown.



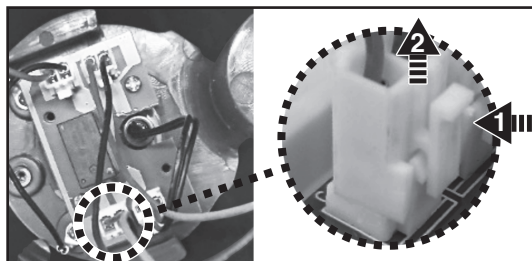
- 3) Use the screwdriver to unscrew the 6 screws located on the top plate and then detach it from the rear body to expose the rear body's cover.



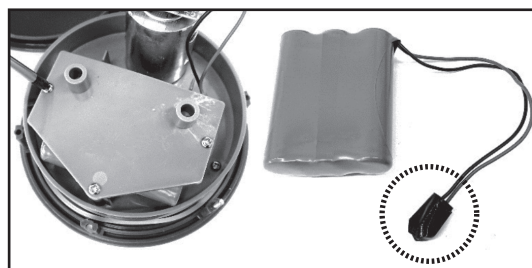
- 4) Unfasten 6 screws and detach the cover to expose the PCBA, motor assembly, and battery pack.





- 5) To detach the battery connection wire, press the clip on the connector and then pull it out.



- 6) Unfasten the 3 screws to remove the battery compartment cover and then remove the battery pack. **NOTE:** Wrap the connector immediately with insulating tape in order to avoid short circuit caused by contact of both wire terminals.



TROUBLESHOOTING

Problem	Possible Cause	Solution
Pool vacuum does not capture debris	Battery is running out	Charge the battery again.
	Impeller is jammed	Power off the pool vacuum and visually check the gap in middle of the pool vacuum to see if the impeller is jammed by larger debris. If possible, use a small tool to remove it with intensive care & caution. If necessary, contact your dealer for further instructions. WARNING! Make sure the pool vacuum is powered off when the unit is being serviced.
	Impeller is broken	Contact your dealer for impeller replacement.
	Filter is full	Clean the filter if applicable.
	Larger debris / large volume of debris	Remove the suction head (not recommended for vinyl liner and fibreglass pools as it could scratch the vinyl liner and fibreglass pools surface).
Debris escapes from the filter	Suction nozzle flap is broken	Suction nozzle flap works like a door to prevent debris from escaping from the filter. Contact dealer for replacement part and instructions.
	Filter net is damaged	Replace with a new filter cone.
	Outlet valve comes off	Without the outlet valve, the pool vacuum might capture debris through this opening. Contact dealer for a valve replacement.
Pole connector cannot be secured in assembly	Side pin is broken	Replace with a new pole connector.
Pool vacuum cannot be charged / recharged	Battery is damaged	Contact dealer for battery replacement. WARNING! DO NOT open the pool vacuum and replace the battery by yourself. This could result in severe or fatal injuries and the warranty will be voided as a result.
	Contact plates of the charger base and unit are not connected	Make sure that the charger base is assembled on the unit properly so that their contact plates are touching.
	External adaptor is out of order	Contact dealer for replacement. WARNING! Using the wrong external adaptor will result in damaging the pool vacuum / battery and voiding the warranty as a result.
Pool vacuum is activated even though the switch indicates it's off	Presence of magnetic objects nearby has inadvertently switched on the motor	Move the magnetic objects or vacuum away from each other.
Operation time is shorter as expected	Battery is not fully charged	Charge the pool vacuum for at least 6 hrs. NOTE: if any stains are found on the charging contact plates, remove them by using a cotton bud soaked with lemon juice or vinegar.
Environmental Programmes, WEEE European Directive		
	Please respect the European Union regulations and help to protect the environment. Return non-working electrical equipment to a facility appointed by your municipality that properly recycles electrical and electronic equipment. Do not dispose them in unsorted waste bins. For items containing removable batteries, remove batteries before disposing of the product.	
	All rights reserved. No part of this document may be reproduced or transmitted in any form or by any means, electronic, mechanical, photocopying, recording, or otherwise, without prior written permission of Kokido Development Ltd. (L-23010013)	

If soft copy of this instruction manual is required, please contact our customer service by email: customerservice@kokido.com

SAVE THESE INSTRUCTIONS

Remarque: Selon le modèle que vous possédez, les accessoires/pièces indiqués dans ce manuel ne sont pas nécessairement inclus.


Les produits/pièces figurant sur les photos/dessins peuvent varier en fonction du modèle acheté. Consultez le diagramme des pièces détachées pour connaître les pièces incluses dans le modèle que vous avez acheté.

AVERTISSEMENTS DE SÉCURITÉ ET INSTRUCTIONS

Les informations contenues dans ce manuel d'instructions vous permettront d'utiliser l'appareil en toute sécurité, à vous protéger ainsi que les autres et à éviter d'endommager l'appareil ou d'autres biens.

CONSERVEZ CES INSTRUCTIONS

AVERTISSEMENT !

- Ceci n'est pas un JOUET. Les enfants doivent être maintenus hors de la portée de cet aspirateur de piscine et de ses accessoires.
- Ne jamais permettre aux enfants de faire fonctionner ce aspirateur de piscine.
- Ce dispositif n'est pas destiné à être utilisé par des personnes ayant des capacités physiques, sensorielles ou mentales diminuées, ou un manque d'expérience et de connaissances, sauf si elles sont sous supervision ou ont reçu des instructions concernant l'utilisation sûre de l'appareil par une personne responsable de leur sécurité.
- Les enfants ne doivent pas jouer avec ce aspirateur de piscine..
- Le nettoyage et l'entretien du aspirateur de piscine ne doit pas être effectués par des enfants.
- Assurez-vous que l'aspirateur de piscine est totalement immergé dans la piscine avant de commencer l'opération. Le niveau d'eau minimum exigé pour faire fonctionner l'aspirateur de piscine doit dépasser l'interrupteur Marche / Arrêt de l'aspirateur de piscine lorsqu'il est maintenu en position verticale. Faire fonctionner l'aspirateur de piscine lorsqu'il n'est pas immergé correctement pourrait endommager l'unité et annuler la garantie.
- La profondeur maximale de fonctionnement dans l'eau est de 3 mètres (9.8 pieds).
- Température maximale de l'eau: 5°C (41°F) – 42°C (107.6°F)
-  Unité d'alimentation détachable (transformateur).
- Le aspirateur de piscine ne doit être rechargé qu'avec l'adaptateur externe et la base de chargement fournis avec ce produit
- À l'effet de recharger la batterie, utiliser seulement l'unité d'alimentation amovible qui est fourni avec cet aspirateur de piscine pour charger la batterie.
- Connecter le transformateur à une source d'alimentation par l'intermédiaire d'un dispositif différentiel à courant résiduel (DDR) ou d'un disjoncteur de fuite à la terre (GFCl). En cas de doute, consultez un électricien professionnel qualifié.
- Ne pas utiliser cet aspirateur de piscine si un dommage quelconque est détecté.

- Remplacer les pièces endommagées avec des pièces certifiées par le distributeur ou le fabricant.
- Mettre hors tension, débrancher l'adaptateur externe de la source d'alimentation, et débrancher l'adaptateur externe de la base de chargement avant de séparer l'aspirateur de piscine de la base de chargement.
- Débrancher l'aspirateur de piscine du réseau d'alimentation et s'assurer que l'aspirateur de piscine est hors tension avant d'effectuer l'entretien régulier – tel que le nettoyage du filtre et des plaques de contact de chargement.
- Ne remplacez pas la batterie rechargeable Li-ion pré-installée.
- NE manipulez PAS le aspirateur de piscine, l'adaptateur externe et la base de chargement pendant la charge avec des membres mouillés et sans chaussures.
- Veillez à ce que les enfants n'essaient pas d'accéder à l'aspirateur de piscine pendant son fonctionnement.
- Ne pas utiliser cet aspirateur de piscine sans une cône filtrant intact en place, car votre garantie serait annulée de ce fait.
- Danger de piégeage de l'aspiration : Cet aspirateur de piscine produit une aspiration. Ne pas permettre que les cheveux, le corps, ou toutes parties lâches de vos vêtements entrent en contact avec l'orifice d'aspiration de l'aspirateur de piscine pendant son fonctionnement.
- Ne jamais introduire des parties du corps, vêtements ou autres objets dans les ouvertures et pièces mobiles de l'aspirateur de piscine.
- NE PAS utiliser cet aspirateur de piscine pour ramasser des substances toxiques, inflammables ou liquide combustibles (comme de l'essence), ni en présence de vapeurs explosives ou inflammables.
- En aucun cas, vous ne devrez tenter de démonter l'aspirateur de piscine et de remplacer la turbine, le moteur, et la batterie de par vous-même.
- Ne jamais insérer les doigts ou un quelconque objet dans la turbine.
- La batterie intégrée doit être retirée par un technicien qualifié avant d'être mise au rebut.
- Cet aspirateur de piscine contient une batterie qui ne peut être retirée que par des personnes qualifiées.
- L'aspirateur de piscine doit être déconnecté du réseau d'alimentation lors du retrait de la batterie.
- Pour plus de détails sur la mise au rebut de la batterie veuillez vous reporter à la section "MISE AU REBUT DE LA BATTERIE" de ce manuel et contactez les autorités locales pour plus d'informations.
- La batterie doit être détruite en toute sécurité conformément aux réglementations locales.
- Adaptateur externe et base de chargement:
 - Ne jamais utiliser l'adaptateur externe et la base de chargement pour tout autre chose que le chargement de la batterie de l'aspirateur de piscine qui est fournie dans le même bloc.
 - L'adaptateur externe et la base de chargement ne doivent pas

être utilisés à l'extérieur, ni exposés à la pluie, à l'humidité et à tout liquide ou chaleur.

- Le adaptateur externe (ou le adaptateur externe) doit être situé à l'extérieur de la zone 1
- Maintenir l'adaptateur externe et la base de chargement hors de la portée des enfants.
- Ne jamais utiliser l'adaptateur externe et la base de chargement si un dommage quelconque est détecté.
- NE PAS manipuler l'adaptateur externe et la base de chargement avec des mains humides.
- NE PAS manipuler l'aspirateur de piscine, l'adaptateur externe, et la base de chargement pendant la charge avec des mains humides et sans chaussures.
- Maintenir l'adaptateur externe débranché du courant lorsqu'il n'est pas utilisé.
- Ne jamais tenter d'ouvrir l'adaptateur externe et la base de chargement.
- Si le cordon d'alimentation de l'adaptateur externe est endommagé, cet adaptateur externe doit être remplacé par le fabricant ou son agent de service pour empêcher des dangers de toute nature.
- S'assurer que l'aspirateur de piscine et la base de chargement sont complètement secs avant de charger.

MISE EN GARDE !

- Cet aspirateur de piscine est uniquement conçu pour une utilisation sous l'eau ; il ne s'agit pas d'un aspirateur tout usage. NE PAS tenter de l'utiliser pour nettoyer tout autre chose que votre piscine.
- Utiliser uniquement les accessoires originaux livrés avec ce produit.
- Ne pas utiliser cet aspirateur de piscine juste après le nettoyage chimique de la piscine. Il est recommandé de laisser circuler l'eau dans la piscine durant au moins 24-48 heures.
- Pour les piscines d'eau salée, s'assurer que tout le sel est dissous avant de placer le aspirateur de piscine dans l'eau.
- Ne pas utiliser cet aspirateur de piscine avec un autre aspirateur / nettoyeur électrique simultanément.
- Éviter de ramasser des objets durs ou pointus avec ce aspirateur de piscine. Ils peuvent endommager l'aspirateur de piscine et le filtre.
- Prendre des précautions lors du nettoyage des marches de la piscine.
- Pour éviter d'endommager l'adaptateur externe et la base de chargement, ne tentez pas de porter l'aspirateur de piscine par le cordon de l'adaptateur externe / base de chargement et ne tirez pas sur le cordon pour le débrancher de la source d'alimentation et de la base de chargement..
- Charger l'aspirateur de piscine à l'intérieur dans une zone propre et sèche avec une bonne aération et une température ambiante entre 5°C et 35°C.
- NE PAS laisser l'aspirateur de piscine chargé pendant plus de 10 heures.
- Si l'aspirateur de piscine n'est pas utilisé pendant une longue période de temps, le séparer de la base de chargement et utiliser un chiffon humide pour nettoyer et sécher l'aspirateur de piscine et ses accessoires. S'assurer de recharger l'aspirateur électrique à 30%- 50% avant de le stocker. Le ranger dans une zone bien aérée éloignée de la lumière solaire, de la chaleur, des sources d'ignition, des produits chimiques pour la piscine et des enfants. Ne jamais laisser l'aspirateur de piscine branché pour un stockage à long terme. Recharger l'aspirateur de piscine tous les trois mois.

Les avertissements et mises en garde ci-dessus ne prétendent pas inclure tous les possibles cas de risques et / ou de blessures graves. Les propriétaires de piscine / spas doivent toujours prendre des précautions supplémentaires et utiliser leur bon sens lorsqu'ils utilisent le produit.

DÉBUT DES OPÉRATIONS

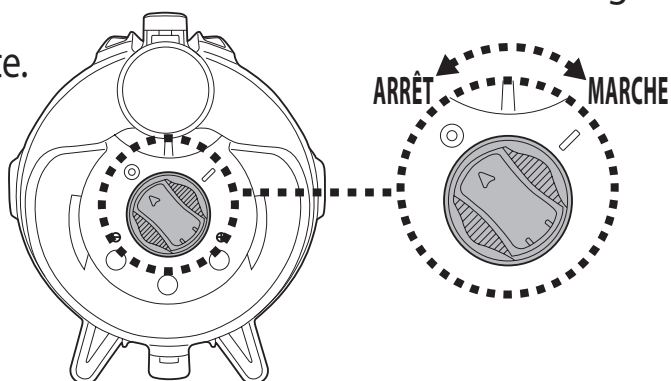
Chargement de la batterie

REMARQUE IMPORTANTE: Charger complètement l'aspirateur de piscine (environ 6 heures) avant la première utilisation.

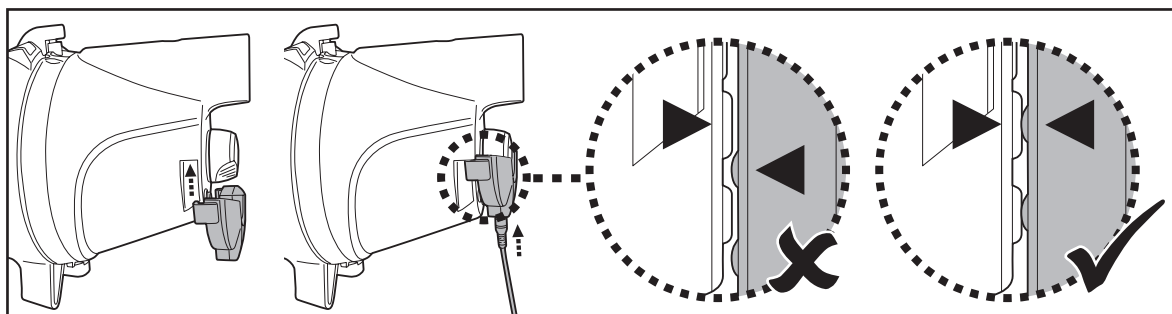
AVERTISSEMENT !

- Utiliser uniquement le adaptateur externe et la base de chargement fournis.
- S'assurer que l'aspirateur de piscine et les plaques de contact de chargement sont propres et secs avant la configuration et le chargement. (ASTUCES: Utiliser un bâtonnet de coton pour sécher les plaques de contact de chargement.)
- Le chargement doit être effectué à l'intérieur, dans une zone bien aérée éloignée de la lumière solaire, des enfants, de la chaleur, des sources d'ignition, et avec une température ambiante entre 5°C et 35°C.
- Ne jamais utiliser l'adaptateur externe et la base de chargement si un dommage quelconque est détecté.
- Les plaques de contact de chargement sont étanches à l'eau. Néanmoins, des restes d'eau sur les plaques de contact pourraient donner lieu à la survenance naturelle de taches (un sous-produit de réaction chimique entre l'eau et les courants électriques). Par ailleurs, les taches peuvent être éliminées par un léger nettoyage avec un bâtonnet de coton imbibé de jus de citron ou de vinaigre.
- S'assurer que l'aspirateur de piscine est hors tension avant de le charger.

1. Placer l'unité sur une surface plate. S'assurer que l'aspirateur de piscine est hors tension en plaçant l'interrupteur MARCHÉ / ARRÊT sur la position (ARRÊT) avant le chargement.



2. Aligner et faire glisser le crochet de la base de chargement sur l'encoche latérale au fond du corps arrière jusqu'à ce qu'il s'arrête. S'assurer que leurs plots entrent en contact correctement. Brancher la prise femelle de l'adaptateur externe dans le port de chargement à la fin de la base de chargement.



3. Brancher l'adaptateur externe à la source d'alimentation. Une fois que l'aspirateur de piscine commence à se charger, le voyant lumineux sur l'adaptateur externe passera au rouge. Normalement, il faut environ 5-6 heures pour atteindre une charge complète. Le voyant lumineux passe au vert lorsque l'aspirateur de piscine est chargé presque complètement.

NOTE: si le moteur produit du bruit, s'assurer que (ARRÊT) a été sélectionné sur l'interrupteur de courant.

- Déconnecter immédiatement le transformateur de la source d'alimentation en cas de:
 - Odeur forte ou inhabituelle
 - Chaleur excessive
 - Déformation, fissure ou fuite
 - Fumée

4. Lorsque la charge est terminée, déconnecter l'adaptateur de la source d'alimentation et débrancher la base de chargement du transformateur.

Normalement, l'aspirateur de piscine peut fonctionner jusqu'à 40 minutes (pour le modèle EV56) / 90 minutes (pour les modèles EV57) avec une charge complète (chargée pendant 5 à 6 heures).

Note: Nettoyer le filtre régulièrement. Trop de débris dans le filtre peuvent faire forcer le moteur et par conséquent faire diminuer la durée de fonctionnement.

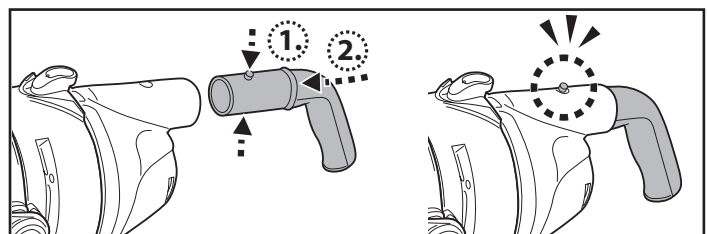
FAIT: La batterie au lithium rechargeable est classée comme un article consommable. Elle a une durée de vie limitée et elle perdra progressivement sa capacité de maintenir une charge. Par conséquent, le temps de fonctionnement de l'aspirateur de piscine se réduira progressivement à travers un chargement et déchargement répétés en fonctionnement.

Une fois que la durée de vie de la batterie arrive à sa fin, consulter la section « MISE AU REBUT DE LA BATTERIE » pour connaître les instructions relatives à la mise au rebut de la batterie.

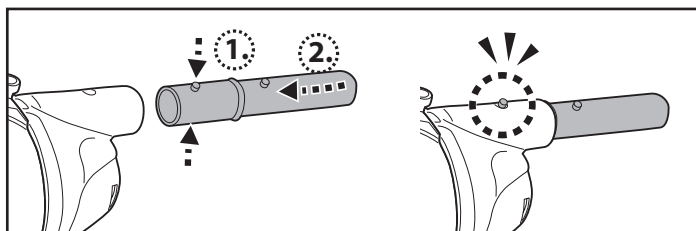
NOTE: Laisser l'aspirateur de piscine au repos pendant environ 30 à 40 minutes avant de le recharger.

Réglage avant l'utilisation

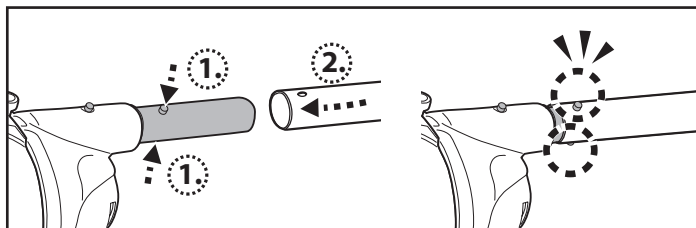
Montage du manche



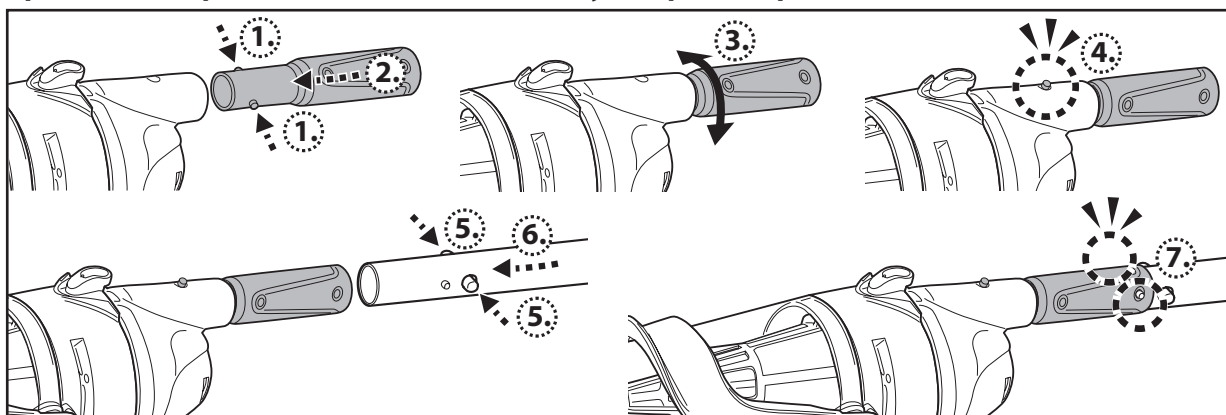
Montage du connecteur de manche



Montage du manche télescopique (non inclus) (uniquement pour l'USA /EU)



Specific Telescopic Pole (Not Included) Assembly (uniquement pour l'Australie / Nouvelle-Zélande)

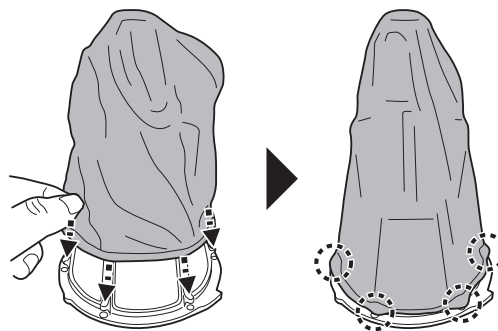


Unité poche filtrante

(Attention: Le poche filtrante n'est pas nécessairement inclus dans chaque modèle)

- **Remarque:** Une poche filtrante est fournie pour filtrer les particules fines.

Placez la poche sur le cône et étirez-la jusqu'à l'extrémité. Accrochez le bord de la poche sur les boutons de verrouillage le long du cône filtrant.



Préparation de la piscine

- S'il y a des cailloux, des racines ou de déchets métalliques sur le liner, les retirer avant utilisation. Si nécessaire, demander l'aide d'un professionnel qualifié.
- Si le liner est friable, endommagé ou froissé, contacter un professionnel qualifié pour effectuer les réparations nécessaires ou effectuer un remplacement du liner avant utilisation de l'aspirateur de piscine.
- Pour les piscines d'eau salée, s'assurer que tout le sel est dissous avant de placer l'aspirateur de piscine dans l'eau.

FONCTIONNEMENT

AVERTISSEMENT !

- S'assurer d'éteindre l'aspirateur de piscine avant de commencer.
- Ne pas utiliser l'aspirateur de piscine si un dommage quelconque est détecté.
- Une tache d'huile peut se produire qui serait due à une fuite possible des lubrifiants appliqués au joint torique.
- S'assurer que l'aspirateur de piscine est totalement immergé dans la piscine avant de commencer l'opération. Le niveau d'eau minimum exigé pour faire fonctionner l'aspirateur de piscine doit dépasser l'interrupteur Marche / Arrêt de l'aspirateur de piscine lorsqu'il est maintenu en position verticale. Faire fonctionner l'aspirateur de piscine lorsqu'il n'est pas immergé correctement pourrait endommager l'unité et annuler la garantie.
- Ne pas utiliser l'aspirateur de piscine sans une cône filtrant en place. L'utilisation de votre aspirateur de piscine sans une cône filtrant en place ANNULERA votre garantie.
- NE PAS couvrir la rainure latérale du corps de l'aspirateur pendant le fonctionnement. La turbine / moteur peut être endommagée de ce fait.
- NE PAS laisser l'aspirateur de piscine dans l'eau lorsqu'il n'est pas utilisé.
- Assurez-vous que la base de chargement est débranché de charge soit mise avant l'utilisation du aspirateur de piscine.

1) Amener votre aspirateur de piscine sur le bord de votre piscine. Immerger l'aspirateur de piscine dans l'eau et tourner l'interrupteur de courant MARCHE / ARRÊT sur la position (MARCHE) pour commencer l'opération.

MISE EN GARDE ! S'assurer que l'aspirateur de piscine est toujours tourné vers le bas lorsqu'il est placé dans la piscine. Dans le cas contraire, il peut courber le connecteur du manche et l'endommager durant le processus.

2) Pour retirer l'aspirateur de la piscine, faire monter l'aspirateur de piscine tout en l'orientant vers le bas afin de permettre à l'eau de s'échapper par le clapet de refoulement. L'eau s'échappera à travers la poignée / connecteur de manche et les orifices d'évacuation à l'intérieur la chambre de la poignée sur le corps arrière.

MISE EN GARDE ! S'assurer que l'aspirateur de piscine est toujours orienté vers le bas lorsqu'il est retiré de la piscine. Dans le cas contraire, le connecteur du manche peut être courbé et endommager l'aspirateur de piscine dans le processus.

3) Rincer l'aspirateur de piscine à l'eau fraîche après chaque utilisation. N'utiliser aucun détergent.

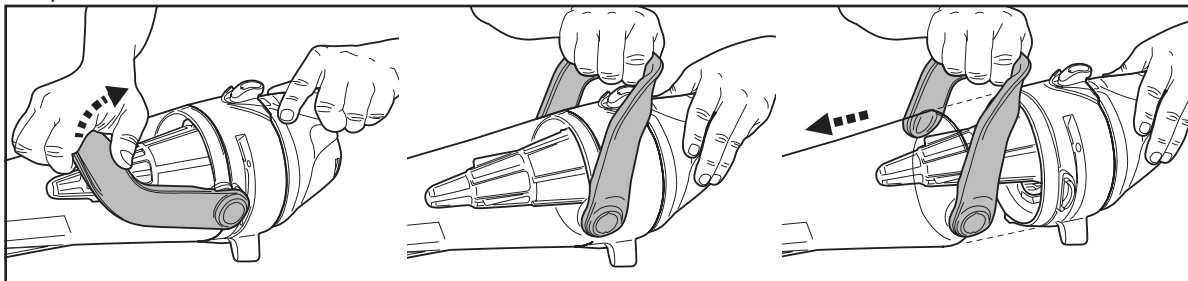
Vider le filtre/ Nettoyer la poche filtrante

AVERTISSEMENT ! L'utilisation de l'aspirateur de piscine sans une cône filtrant en place ANNULERA votre garantie.

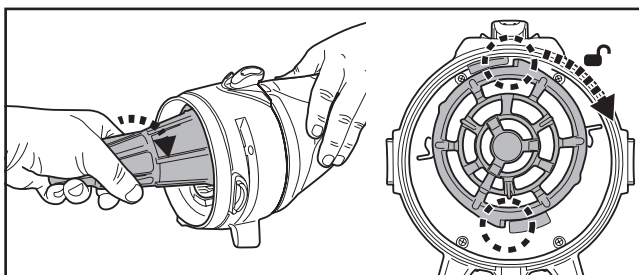
Afin de maximiser l'efficacité du nettoyage, assurez-vous de nettoyer le poche filtrante / cône filtrant avant et après chaque utilisation.

MISE EN GARDE ! Si l'aspirateur de piscine est en charge, débrancher l'adaptateur externe de la source d'alimentation et séparer l'aspirateur de piscine de la base de chargement. S'assurer d'éteindre l'aspirateur de piscine avant de commencer.

- 1) Placer l'aspirateur de piscine sur une surface stable.
- 2) Tenez l'aspirateur de piscine et faites pression sur le levier du couvercle jusqu'à l'extrémité pour libérer complètement les verrous latéraux.



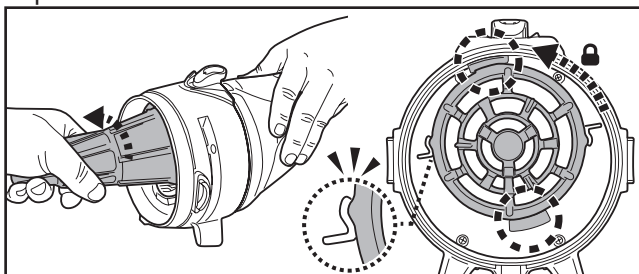
- 3) Détachez le couvercle transparent et décrochez avec précaution les poche filtrante du cône filtrant. Retirez la chaussette et tournez le cône filtrant dans le sens des aiguilles d'une montre jusqu'à ce qu'il s'arrête. Retirez le cône filtrant de l'aspirateur.



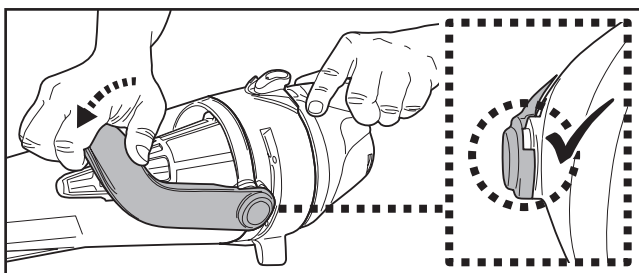
MISE EN GARDE ! Remplacer immédiatement une poche filtrante / cône filtrant endommagée par une nouvelle avant la prochaine opération.

- 4) Rincez la poche filtrante à l'eau claire.
- 5) Retirez les débris du capot et rincez la cône filtrant à l'eau claire. Si brosser est nécessaire, utiliser uniquement une brosse souple pour nettoyer la cône filtrant avec précaution.

- 6) Inversez les étapes précédentes pour réassembler la poche filtrante/ cône filtrant. Tournez la cône filtrant dans le sens inverse des aiguilles d'une montre jusqu'à ce que sa languette latérale soit fixée dans l'encoche des deux côtés, comme illustré. Vous entendrez un « clic ».



- 7) Alignez et réassemblez le capot sur l'aspirateur et assurez-vous que le levier est bien fixé en le poussant bien jusqu'au capot.



Entretien et stockage

REMARQUE:

- 1) S'assurer de nettoyer et sécher les plaques de contact de chargement après chaque utilisation pour éviter la formation de taches (sous-produit d'une réaction chimique naturelle entre le courant électrique et l'eau). Par ailleurs, les taches peuvent être éliminées par un léger brossage avec un bâtonnet de coton imbibé de jus de citron ou de vinaigre.
- 2) La batterie se décharge de par elle-même durant le rangement. S'assurer de recharger l'aspirateur de piscine à 30%- 50% avant de le stocker.
- 3) Vous devez recharger la batterie au moins une fois tous les trois mois lorsqu'elle n'est pas utilisée.
 - Débrancher l'adaptateur externe de la prise et débrancher ensuite le jack de l'adaptateur de la base de chargement.
 - Séparer les accessoires de l'aspirateur de piscine. Si nécessaire, rincer l'aspirateur de piscine et les accessoires à l'eau fraîche. Ne pas utiliser de détergent.
 - S'assurer de vider l'eau du corps principal et du connecteur.
 - Utiliser un chiffon humide pour nettoyer et sécher l'aspirateur de piscine et ses accessoires.
 - Les ranger dans une zone bien aérée éloignée de la lumière solaire, de la chaleur, des sources d'ignition et des produits chimiques pour la piscine et tenir hors de portée des enfants. La température ambiante de stockage doit être de 10°C – 25°C. NOTE: Une température plus élevée peut réduire la vie de la batterie.

AVERTISSEMENT!

- Ne jamais tenter d'une façon quelconque de démonter l'aspirateur de piscine.
- En aucun cas, vous ne devez tenter de démonter l'aspirateur de piscine et de remplacer la turbine, le moteur et la batterie par vous-même

MISE EN GARDE !

- La chaleur excessive peut endommager la batterie et réduire par conséquent sa durée de vie.
- Consulter un revendeur concernant le remplacement de la batterie dans les cas suivants:
 - La batterie ne se charge pas complètement.
 - La durée d'utilisation est sensiblement réduite. Observer et enregistrer les temps d'exécution des premières utilisations (sur une pleine charge). Utiliser ces temps d'exécution comme point de référence pour comparaison avec les temps d'exécution futurs.
- La batterie doit être retirée de l'aspirateur de piscine avant d'être éliminée.
- L'aspirateur de piscine doit être débranché de l'alimentation principale pendant le retrait de la batterie
- La batterie doit être éliminée sous une forme sûre et conformément aux ordonnances ou réglementations locales.

NOTE : Une maintenance incorrecte peut réduire la durée de vie de la batterie et affecter de ce fait sa capacité.

MISE AU REBUT DE LA BATTERIE (Ceci doit être réalisé par un technicien autorisé)

Votre aspirateur de piscine est équipé d'un bloc de batteries rechargeables au lithium libre de toute maintenance, qui doit être éliminé correctement. Son recyclage est requis ; veuillez contacter les autorités locales de votre région pour une plus ample information.

AVERTISSEMENT ! Ne jamais tenter de démonter un bloc de batteries.

- Retirer tous les objets personnels tels que bagues, bracelets, colliers et montres lorsque le bloc de batteries n'est pas connecté à l'aspirateur de piscine.
- Une batterie peut produire un courant de court-circuit suffisamment élevé pour souder une bague (ou un article similaire) au métal, causant ainsi une grave brûlure dans le processus.
- Porter un protecteur complet pour les yeux, des gants et des vêtements de protection lorsque le bloc de batteries est retiré.
- Éviter absolument de toucher les fils et éviter de leur permettre de faire contact avec tous objets métalliques, ce qui pourrait causer une émission d'étincelles et/ou court-circuiter la batterie.
- Ne jamais fumer ni permettre qu'une étincelle ou une flamme ne se produise dans le voisinage de la batterie ou de l'aspirateur de piscine.
- Ne pas exposer la batterie au feu ou à une chaleur intense car cela pourrait produire une explosion.

MISE EN GARDE !

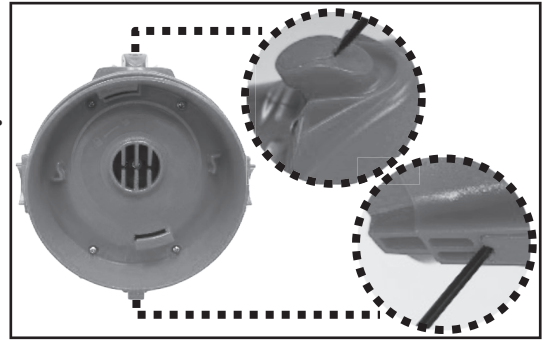
Si une fuite de la batterie se produit, éviter le contact avec les liquides de fuite et placer la batterie endommagée dans un sac en plastique.

- Si les liquides de fuite entrent en contact avec la peau et les vêtements, les laver immédiatement avec une grande quantité de savon et d'eau.
- Si les liquides de fluides entrent en contact avec les yeux, ne pas se frotter les yeux, rincer immédiatement les yeux à l'eau courante froide pendant 15 minutes au moins et ne pas les frotter. Demander une assistance médicale le plus rapidement possible.

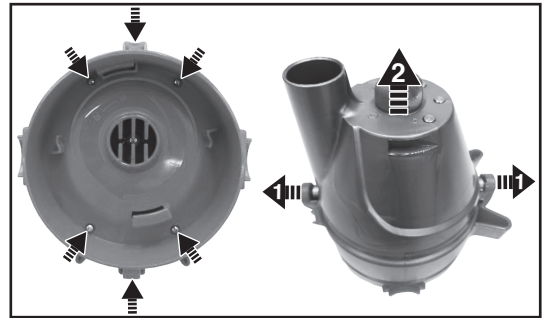
Comment retirer le bloc de batteries uniquement à des fins de recyclage de la batterie (Ceci doit être réalisé par un technicien autorisé)

Outils recommandés (non inclus) : Tournevis Philips.

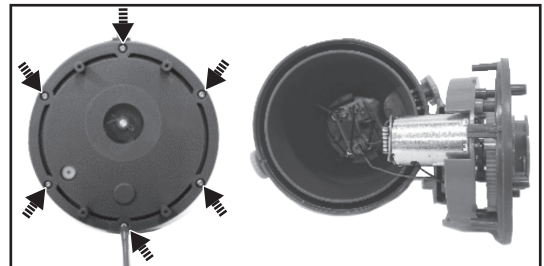
- 1) Suivez les instructions pour libérer le couvercle transparent et le cône de filtre.
- 2) Utilisez un petit tournevis plat pour faire levier et retirer les cache-vis comme indiqué.



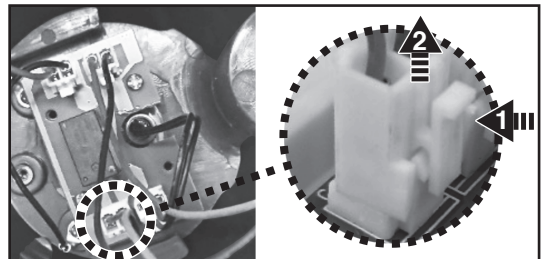
- 3) Utiliser un tournevis pour dévisser les 6 vis situées sur la plaque supérieure et ensuite séparer la plaque du corps arrière pour laisser à découvert le couvercle du corps arrière.



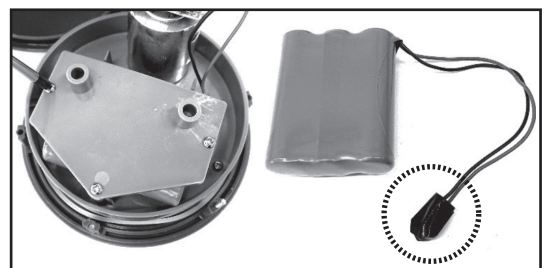
- 4) Desserrer les 6 vis et séparer le couvercle pour laisser à découvert le PCBA, le groupe moteur et le bloc de batteries.





- 5) Pour séparer le fil de connexion de la batterie, appuyer sur le clip du connecteur et l'extraire ensuite.



- 6) Desserrer les 3 vis pour retirer le compartiment de la batterie et ensuite retirer le bloc-batterie. **NOTE:** Enrouler le connecteur immédiatement avec un ruban isolant afin d'éviter un court-circuit causé par un contact des deux bornes de fils.



DEPANNAGE

Problème	Cause possible	Solution
L'aspirateur de piscine ne capture pas les débris	La batterie est épuisée	Recharger la batterie.
	La turbine est bloquée	Débrancher l'aspirateur de piscine et vérifier visuellement l'espace au milieu de l'aspirateur de piscine pour voir si la turbine est bloquée par de gros débris. Si c'est possible, utiliser un petit outil pour les retirer avec le plus grand soin et toutes les précautions voulues. Si nécessaire, contactez votre concessionnaire pour des instructions supplémentaires. AVERTISSEMENT ! S'assurer que l'aspirateur de piscine est bien débranché lorsque l'unité est en cours d'entretien.
	La turbine est cassée	Contactez votre concessionnaire pour le remplacement de la turbine.
	Le filtre est plein	Nettoyer le filtre.
	Plus gros débris / grand volume de débris	Retirer la tête d'aspiration (cela n'est pas recommandé pour les piscines en fibre de verre et avec piscines doublure en vinyle car cela pourrait rayer la surface).
Les débris s'échappent du filtre	Le volet de tuyère d'aspiration est cassé	Le volet de tuyère d'aspiration fonctionne comme une porte pour empêcher les débris de s'échapper du filtre. Contactez le concessionnaire pour les pièces de rechange et les instructions nécessaires.
	La crépine de filtre est endommagée	La remplacer par un nouveau cône filtrant.
	Le clapet de refoulement glisse	Sans le clapet de refoulement, l'aspirateur de piscine peut capter des débris à travers cette ouverture. Contactez le concessionnaire pour le remplacement du clapet.
La connecteur manche ne peuvent pas être fixés et montés	La broche latérale est cassée	Remplacer par une nouvelle connecteur de manche.
L'aspirateur de piscine ne peut pas être chargé / rechargé	La batterie est endommagée	Contactez le concessionnaire pour le remplacement de la batterie. AVERTISSEMENT ! NE PAS ouvrir l'aspirateur de piscine et remplacer la batterie de par vous-même. Cela pourrait causer des blessures graves ou mortelles et la garantie serait annulée de ce fait.
	Contact plates of the charger Les plots de la base du chargeur et de l'unité ne sont pas connectés	S'assurer que la base du chargeur est correctement montée sur l'unité de telle sorte que leurs plots se touchent.
	L'adaptateur externe est en dérangement	Contactez votre concessionnaire pour le remplacer. AVERTISSEMENT ! L'utilisation d'un adaptateur externe incorrect donnera pour résultat l'endommagement de l'aspirateur de piscine / batterie et annulera de ce fait la garantie.
L'aspirateur de piscine est activé bien que l'interrupteur indique qu'il est hors tension	La présence d'objets magnétiques à proximité a mis sous tension par inadvertance le moteur	Éloignez les objets magnétiques ou l'aspirateur les uns des autres.
Le temps de fonctionnement est plus court que celui espéré	La batterie n'est pas complètement chargée	Charger l'aspirateur de piscine au moins pendant 6 heures. NOTE : si des taches sont trouvées sur les plaques de contact de chargement, les éliminer en utilisant un bâtonnet de coton imbibé de jus de citron ou de vinaigre.
Programmes environnementaux, Directive européenne DEEE		
	Veuillez respecter les réglementations de l'Union européenne et aider à protéger l'environnement. Portez les équipements électriques qui ne fonctionnent pas à une installation désignée par votre municipalité qui recycle correctement les équipements électriques et électroniques. Ne les jetez pas dans des poubelles sans triage. Pour les articles contenant des batteries démontables, retirer les batteries avant d'éliminer le produit.	
	Tous droits réservés. Aucune partie de ce document ne peut être reproduite ou transmise sous quelque forme ou par quelque moyen que ce soit, électroniques, mécaniques, photocopies, enregistrement ou de toute autre façon, sans l'autorisation écrite préalable de Kokido Development Ltd. (L-23010013)	

Si vous avez besoin d'une copie sur papier de ce manuel d'instructions, veuillez contacter notre service clientèle par email : customerservice@kokido.com

CONSERVEZ CES INSTRUCTIONS

Observación: Según el modelo que posea, los accesorios/piezas que se muestran en este manual no se incluyen necesariamente en todos los modelos. Los productos/piezas de las fotos/dibujos pueden variar según el modelo adquirido. Consulte el gráfico de piezas de repuesto para saber cuáles piezas están incluidas en el modelo que usted ha adquirido.

AVISOS E INSTRUCCIONES DE SEGURIDAD

La información contenida en este Manual de instrucciones le ayudará a operar el artículo de manera segura, protegerse a sí mismo y a los demás de peligros, y evitar daños el artículo y otras propiedades.

GUARDE ESTAS INSTRUCCIONES

¡ATENCIÓN!

- Este dispositivo no es un JUGUETE. Mantenga a los niños lejos de esta aspiradora de piscina y de sus accesorios.
- Los niños no deben usar este aspiradora de piscina.
- Este aparato no está diseñado para ser utilizado por personas con capacidades físicas, sensoriales o mentales disminuidas o falta de experiencia y conocimiento, a menos que estén bajo supervisión o hayan recibido instrucciones para el uso del dispositivo por parte de una persona responsable de su seguridad y entiendan los peligros que entraña.
- Los niños no deben jugar con este aspiradora de piscina.
- La limpieza y el mantenimiento del aspiradora de piscina no deben ser realizados por niños.
- Asegúrese de que la aspiradora de piscina está totalmente sumergida en el agua antes de usarla. El nivel mínimo de agua necesario para usar el dispositivo debe estar por encima del interruptor de encendido / apagado de la aspiradora de piscina en posición vertical. El uso de la aspiradora de piscina, si no está correctamente sumergida en el agua, podría dañar la unidad y anular la garantía.
- La profundidad máxima a la que se puede usar el dispositivo es de 3 metros.
- Temperatura máxima del agua: 5°C – 42°C
-  Unidad de alimentación desmontable (adaptador externo).
- La aspiradora de piscina únicamente debe recargarse con el adaptador externo y el base de carga suministrados con este producto.
- Para recargar la batería, utilice exclusivamente la unidad de fuente de alimentación extraíble provista con la aspiradora de piscina.
- Conecte el adaptador externo a una fuente de alimentación mediante un interruptor diferencial (ID) (también conocido como RCD) / un interruptor de circuito por defecto a tierra (GFCI, por sus siglas en inglés). En caso de duda, consulte a un electricista profesional cualificado.
- No use esta aspiradora de piscina si detecta cualquier daño.
- Cambie las piezas dañadas con piezas certificadas por el distribuidor o el fabricante.

- Desactive el dispositivo, desconecte el adaptador externo de la fuente de alimentación y desenchufe el adaptador externo de la base de carga antes de retirar la aspiradora de piscina de la base de carga.
- Desconecte la aspiradora de piscina de la corriente general y asegúrese de que esté apagada antes de realizar las tareas de mantenimiento habituales, como limpiar el filtro y las placas de contacto para la recarga.
- NO intente cambiar la batería recargable de iones de litio preinstalada.
- NO manipule el aspiradora de piscina el adaptador externo y el base de carga mientras se tenga extremidades húmedas y sin zapatos.
- Asegúrese de que los niños no intenten acceder a la aspiradora de piscina mientras está en funcionamiento.
- NO use esta aspiradora de piscina sin un cône filtrant intactos instalados, ya que de lo contrario la garantía quedará anulada.
- Peligro de atrapamiento por succión: Esta aspiradora de piscina genera succión. No permita que su pelo, cuerpo o prendas sueltas entren en contacto con el orificio de succión de la aspiradora de piscina cuando esté en funcionamiento.
- No introduzca nunca partes del cuerpo, ropa u otros objetos en las aberturas y piezas móviles de la aspiradora de piscina.
- NO use este aspiradora de piscina para recoger sustancias líquidas tóxicas, inflamables o combustibles (como gasolina), ni en presencia de vapores explosivos o inflamables.
- No intente, bajo ninguna circunstancia, desmontar la aspiradora de piscina y sustituir el propulsor, el motor y la batería por sí mismo.
- Nunca debe introducir los dedos ni ningún objeto para tocar el propulsor.
- La extracción de la batería incorporada para su eliminación debe realizarla un técnico especializado.
- Este aspiradora de piscina incluye una batería que solo puede ser desmontada por personal formado.
- Debe desconectar el aspiradora de piscina de la alimentación eléctrica al retirar la batería.
- Para obtener más detalles sobre la eliminación de la batería, consulte la sección "ELIMINACIÓN DE LA BATERÍA" de este manual y póngase en contacto con las autoridades locales para obtener más información.
- La batería debe desecharse de manera segura y de acuerdo con las ordenanzas o regulaciones.
- Adaptador externo y base de carga:
 - Sólo debe usar el adaptador externo y la base de carga para recargar la batería de la aspiradora de piscina suministrada en el mismo paquete.
 - El adaptador externo y el base de carga no deben usarse en el exterior, ni deben exponerse a la lluvia, la humedad, líquidos o fuentes de calor.
 - El transformador (o adaptador externo) debe estar situado fuera de la zona 1

- Mantenga el adaptador externo y la base de carga fuera del alcance de los niños.
- Nunca debe usar el adaptador externo ni la base de carga si detecta cualquier daño.
- NO coja el adaptador externo ni la base de carga con las manos mojadas.
- Mientras el dispositivo se esté cargando, NO manipule la aspiradora de piscina, el adaptador externo ni la base de carga, con las manos mojadas y sin zapatos.
- Mantenga el adaptador externo desconectado de la corriente eléctrica cuando no lo esté usando.
- No intente abrir el adaptador externo ni la base de carga.
- Si el cable de alimentación del adaptador externo está dañado, el fabricante o su proveedor de servicios debe reemplazar el adaptador externo para prevenir cualquier posible riesgo.
- Asegúrese de que la aspiradora de piscina y la base de carga están completamente secas antes de iniciar la recarga.

¡PRECAUCIÓN!

- Esta aspiradora de piscina sólo está diseñada para ser usada bajo el agua; no es una aspiradora de uso general. NO intente usarla para limpiar una superficie que no sea su piscina.
- Sólo debe usar accesorios originales provistos junto con este producto.
- NO use esta aspiradora de piscina justo después de aplicar el tratamiento de choque a la piscina. Se recomienda dejar circular el agua de la piscina durante al menos 24-48 horas.
- Si tiene una piscina de agua salada, asegúrese de que toda la sal esté disuelta antes de introducir el aspiradora de piscina en el agua.
- NO use esta aspiradora de piscina al mismo tiempo que otra aspiradora / aspiradora eléctrica.
- Evite recoger objetos duros y afilados con este dispositivo. Podrían dañar la aspiradora de piscina y el filtro.
- Tenga cuidado al limpiar las escaleras de la piscina.
- Para evitar daños en el adaptador externo y el base de carga, no transporte el aspiradora de piscina por el cable del adaptador externo / base de carga y no tire del cable desconectar de la fuente de alimentación y el base de carga.
- Recargue la aspiradora de piscina en una zona interior limpia y seca, con buena ventilación y con una temperatura ambiente de entre 5 °C y 35°C.
- NO deje la aspiradora de piscina cargando durante más de 10 horas.
- Si no va a usar la aspiradora de piscina durante un periodo de tiempo prolongado, sepárela de la base de carga y use un paño húmedo para limpiar y secar la con sus accesorios. Asegúrese de cargar el limpiafondos entre el 30% y el 50 % de la capacidad de su batería antes de guardarlo. Guárdela en una zona bien ventilada y libre de luz solar, calor, fuentes de ignición y productos químicos para piscina, fuera del alcance de los niños. No deje nunca la aspiradora de piscina conectada si va a guardarla durante un periodo de tiempo prolongado. Recargue la aspiradora de piscina cada tres meses.

Los avisos y precauciones anteriores pueden no incluir todas posibles situaciones de riesgo y/o lesiones graves. Los propietarios de piscina/spa deben tener siempre mucho cuidado y sentido común al utilizar el producto.

PRIMEROS PASOS

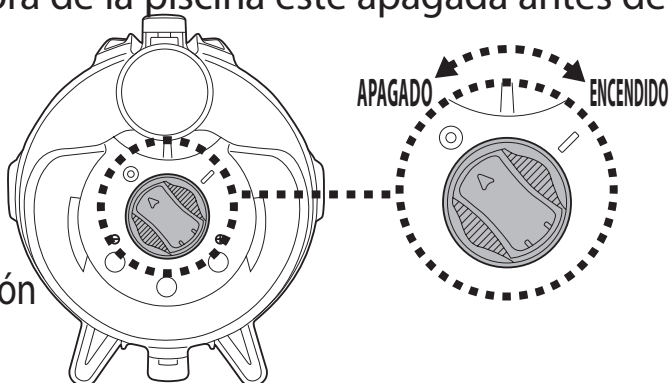
Cargando la batería

AVISO IMPORTANTE: Recargue completamente el aspiradora de piscina (unas 6 horas) antes de usarlo por primera vez.

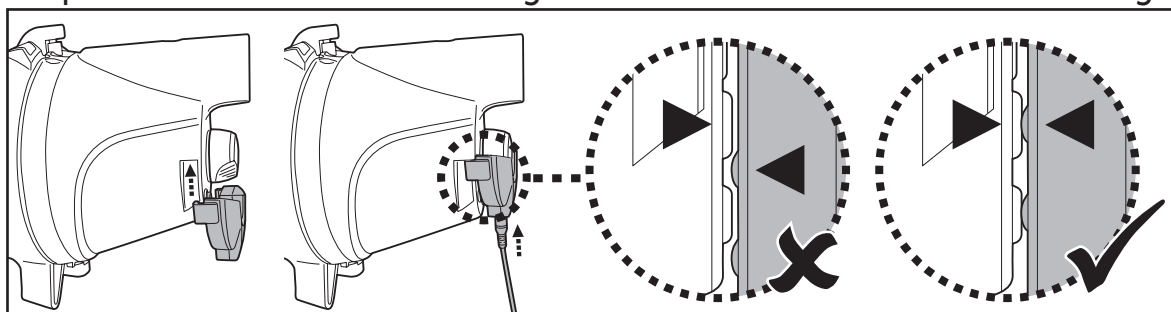
¡ATENCIÓN!

- Solo debe usar el adaptador externo y el base de carga originales incluidos en el producto.
- Asegúrese de que la aspiradora de piscina y las placas de contacto para la recarga estén limpias y secas antes de cargar el aparato. (CONSEJO: Utilice un bastoncillo de algodón para secar las placas de contacto para la recarga.)
- La carga debe ser hecho dentro, en un área bien ventilada lejos de luz del sol, niños, calor, fuentes de ignición, y con una temperatura ambiental entre 5 °C y 35 °C.
- Nunca debe usar el adaptador externo ni la base de carga si detecta cualquier daño.
- Las placas de contacto para la recarga son impermeables. Sin embargo, si quedan restos de agua en placas de contacto pueden aparecer manchas (un efecto ocasionado por la reacción química natural entre el agua y la corriente eléctrica). En caso de aparecer manchas, elimínelas frotándolas con cuidado con un bastoncillo de algodón impregnado en zumo de limón o vinagre.
- Asegúrese de que la aspiradora de la piscina esté apagada antes de cargarla.

1. Coloque la unidad sobre una superficie plana. Asegúrese de que la aspiradora de la piscina esté apagada girando el interruptor de ENCENDIDO/APAGADO a la posición de "APAGADO" antes de cargar.



2. Alinee y deslice el gancho de la base de carga hasta la muesca lateral situada en la parte inferior de la carcasa trasera hasta que se detenga. Asegúrese de que las placas de contacto estén en contacto. Conecte el conector hembra del adaptador externo a la toma de carga situada en el extremo de la base de carga.



3. Conecte el adaptador externo a la fuente de alimentación. Cuando la aspiradora de piscina empiece a cargarse, el piloto indicador del adaptador externo se pondrá rojo. Normalmente se tardan unas 5-6 horas en conseguir una carga completa. El piloto indicador se pondrá verde cuando la aspiradora de piscina esté casi cargada al máximo.

NOTA: Si el motor hace ruido, asegúrese de que el interruptor se encuentre en la posición de "APAGADO".

- Desconecte inmediatamente el adaptador externo de la fuente de alimentación si detecta cualquiera de las siguientes condiciones:
 - Olor extraño o inusual
 - Calor excesivo
 - Deformación, grietas o fugas
 - Humo

4. Cuando la carga haya terminado, desconecte el adaptador exterior de la fuente de alimentación y desenchufe el base de carga de la unidad y del adaptador externo.

Normalmente, la aspiradora de piscina puede funcionar hasta 40 minutos (para el modelo EV56) / 90 minutos (para los modelos EV57) con una carga completa (cargada durante 5-6 horas).

Nota: Limpie el filtro regularmente. Demasiado suciedad en el filtro aumenta el trabajo del motor y de consecuencia disminuye el tiempo de funcionamiento.

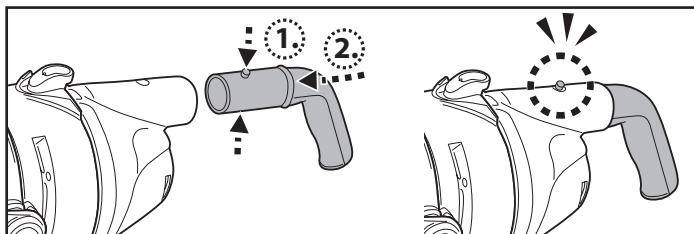
HECHO: La batería recargable de iones de litio está clasificada como un producto consumible. Tiene una vida útil limitada y perderá gradualmente su capacidad de retener la carga. Así pues, el tiempo de funcionamiento de la aspiradora de piscina se reducirá gradualmente a medida que se cargue y se descargue la aspiradora por su uso.

Cuando se agote la vida útil de la batería, consulte en el apartado «ELIMINACIÓN DE LA BATERÍA» las instrucciones para eliminar la batería.

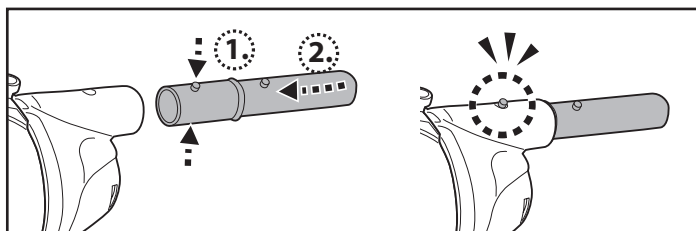
NOTA: Deje reposar la aspiradora de piscina durante unos 30 o 40 minutos antes de volverla a cargar

Montaje previo al uso

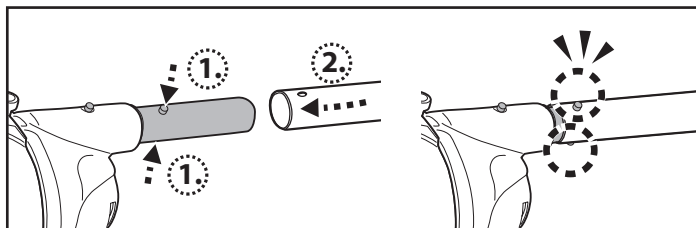
Asamblea del la manija



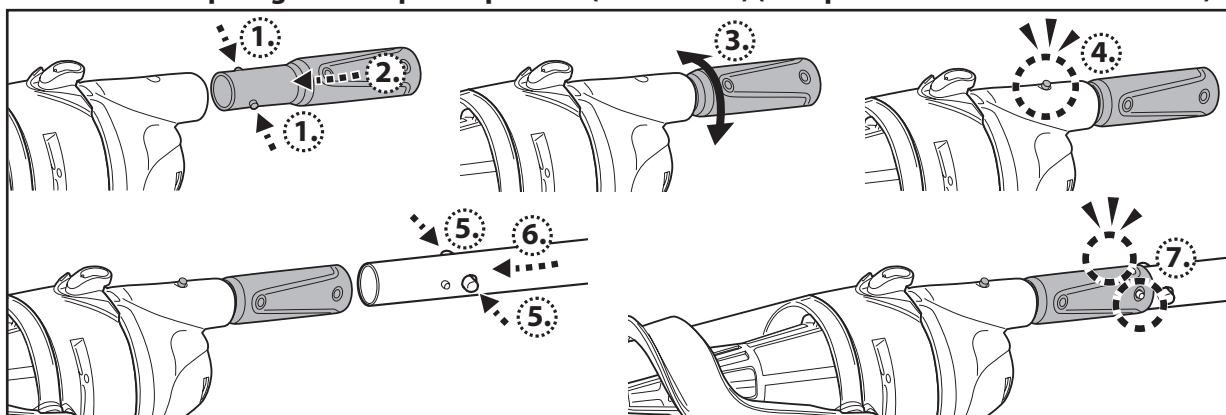
Asamblea del conector de pértiga



Asamblea del polo telescópica (no incluido) (solo para USA/EU)



Asamblea de la pértiga telescópica específico (no incluido) (solo para Australia/Nueva Zelanda)

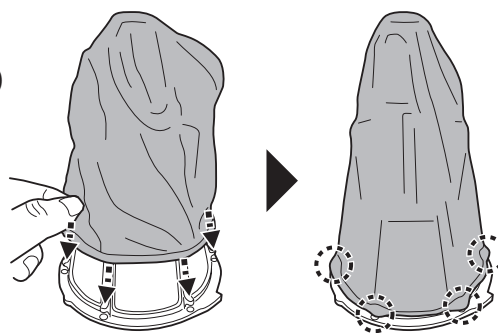


Montaje del filtro de calcetín

(Aviso: No todos los modelos incluyen filtro de calcetín)

- **NOTA:** El filtro de calcetín se suministra para el filtrado de las partículas más finas.

Coloque el calcetín sobre el cono y estírelo hasta el final. Sujete el extremo del calcetín y fíjelo a los ganchos del filtro cónico.



Préparation de la piscine

- Si hay piedras, raíces o corrosión metálica en contacto con la parte inferior del revestimiento, retírelas antes de usar el aspiradora de piscina. Pida la ayuda de un profesional cualificado si fuera necesario.
- Si el revestimiento está resquebrajado, dañado o arrugado, contacte con un profesional cualificado para que realice las reparaciones necesarias o sustituya el revestimiento antes de usar el aspiradora de piscina.
- Si tiene una piscina de agua salada, asegúrese de que toda la sal esté disuelta antes de introducir el aspiradora de piscina en el agua.

FUNCIONAMIENTO

¡ATENCIÓN!

- Asegúrese de apagar el aspiradora de piscina.
- No use la aspiradora de piscina si detecta cualquier daño.
- Es posible que se generen manchas de aceite causadas por el derrame de lubricante que se suele aplicar al anillo sellador.
- Asegúrese de que la aspiradora de piscina esté completamente sumergida en el agua antes de ponerla en funcionamiento. El nivel mínimo de agua requerido para operar la aspiradora de piscina debe llegar por encima del interruptor de encendido / apagado de la aspiradora de piscina cuando se mantiene en posición vertical. Utilizar la aspiradora sin estar correctamente sumergida podría dañarla e invalidar la garantía.
- NO use la aspiradora de piscina sin un cône filtrant instalado. El uso de la aspiradora de piscina sin un cône filtrant instalado ANULARÁ su garantía.
- NO cubra la ranura lateral de la carcasa cuando el dispositivo se encuentre en funcionamiento. El propulsor/motor podría dañarse.
- NO deje la aspiradora de piscina en el agua cuando no la esté usando.
- Asegúrese de que el base de carga esté desconectado antes de usar la aspiradora de piscina.

1) Lleve la aspiradora de piscina hacia el lateral de la piscina/spa. Sumérjala en el agua y gire el interruptor de ENCENDIDO y APAGADO hacia la posición "ENCENDIDO" para ponerla en funcionamiento.

¡PRECAUCIÓN! Asegúrese de que la aspiradora de piscina siempre esté colocada hacia abajo al introducirla en la piscina. Si no, el conector de la pértiga podría doblarse y dañarse durante el proceso.

2) Para sacar la aspiradora de la piscina, levántela apuntando hacia abajo para que el agua que contenga salga por la válvula de drenaje. El agua saldrá por el mango / conector de la pértiga por los orificios de drenaje situados dentro del depósito del mango, en la carcasa trasera.

¡PRECAUCIÓN! Asegúrese de que la aspiradora de piscina siempre esté apuntando hacia abajo al sacarla de la piscina. Si no, el conector de la pértiga podría doblarse y dañar la aspiradora de piscina.

3) Enjuague la aspiradora de piscina con agua limpia tras cada uso. NO use detergente.

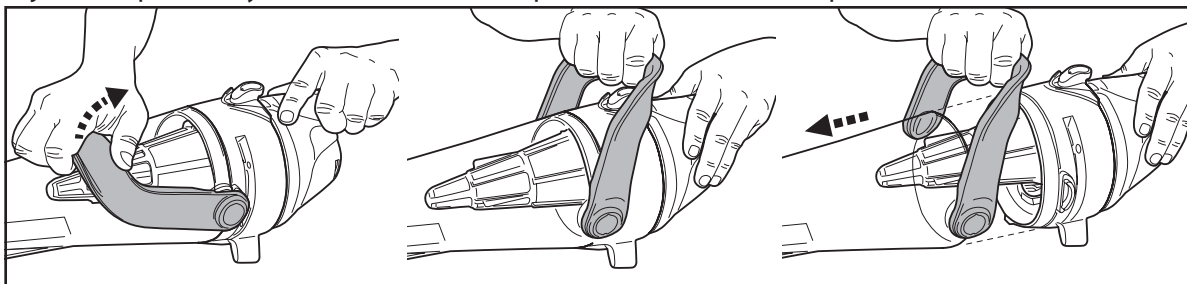
Vaciado del filtro/ limpieza del filtro de calcetín

¡ATENCIÓN! El uso de la aspiradora de piscina sin un cône filtrant instalados ANULARÁ su garantía.

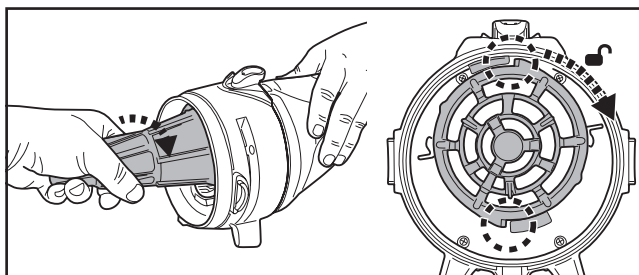
Para maximizar la eficiencia del lavado, asegúrese de limpiar el filtro de calcetín / cône filtrant cónico antes y después de cada uso.

¡PRECAUCIÓN! Si la aspiradora de piscina se está recargando, desconecte el adaptador externo de la fuente de alimentación y retire la aspiradora de la base de carga. Asegúrese de apagar el aspiradora de piscina.

- 1) Coloque la aspiradora de piscina sobre una superficie estable.
- 2) Sujete la aspiradora y levante totalmente la palanca del contenedor para abrir los cierres laterales.



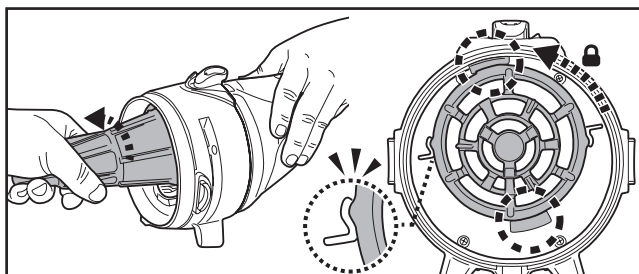
- 3) Separe el recipiente transparente y desenganche cuidadosamente el filtro de calcetín del filtro cónico. Retire el filtro de calcetín y gire el filtro cónico en sentido de las agujas del reloj hasta que se detenga. Saque el filtro cónico de la aspiradora.



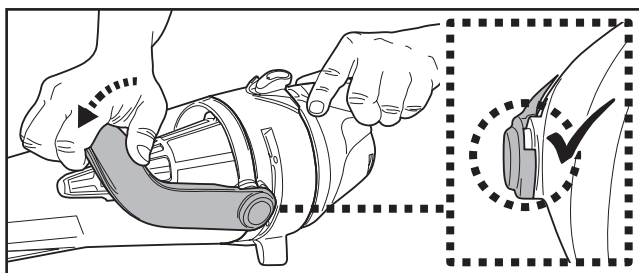
¡PRECAUCIÓN! Sustituya el filtro de calcetín / filtro cónico dañado inmediatamente por uno nuevo antes de volver a usar el dispositivo.

- 4) Enjuague el filtro de calcetín con agua limpia.
- 5) Limpie la suciedad de la cubierta y enjuague el filtro cónico con agua. Si cree necesario cepillarla, use un cepillo suave para limpiarla con suavidad y cuidado.

- 6) Realice los pasos anteriores al revés para montar de nuevo el filtro de calcetín / filtro cónico. Gire el filtro cónico en el sentido contrario de las agujas del reloj hasta que la pestaña lateral quede asegurada dentro de la muesca correspondiente en ambos lados, tal como se muestra en las imágenes. Oirá un clic.



- 7) Alinee y monte la cubierta de la aspiradora. Compruebe que la palanca queda asegurada bajándola al máximo sobre la cubierta.



Mantenimiento y almacenamiento

NOTA:

- 1) Asegúrese de limpiar y secar las placas de contacto para la recarga después de cada uso para evitar que aparezcan manchas (ocasionadas por una reacción química natural entre la corriente eléctrica y el agua). En caso de aparecer manchas, puede eliminarlas frotándolas suavemente con un bastoncillo de algodón impregnado en zumo de limón o vinagre.
- 2) La batería se descarga durante los periodos de almacenamiento. Asegúrese de cargar el limpiafondos entre el 30 % y el 50 % de la capacidad de su batería antes de guardarlo.
- 3) Debe recargar la batería al menos una vez cada tres meses si no la va a usar.
 - Desenchufe el adaptador externo del enchufe y desconecte el conector adaptador de la base de carga.
 - Separe los accesorios de la aspiradora de piscina. Si fuera necesario, enjuague la aspiradora de piscina y sus accesorios con agua limpia. NO use detergente.
 - Asegúrese de drenar el agua del mango a través del orificio situado en la parte inferior.
 - Use un paño húmedo para limpiar y secar la aspiradora de piscina y sus accesorios.
 - Guárdelos en una zona bien ventilada y libre de luz solar, calor, fuentes de ignición y productos químicos para piscina, fuera del alcance de los niños. La temperatura ambiente de almacenamiento debe ser de 10°C - 25°C. NOTA: Una temperatura de almacenamiento superior podría reducir la vida útil de la batería.

¡ATENCIÓN!

- No intente nunca desmontar la aspiradora de piscina.
- No intente, bajo ninguna circunstancia, desmontar la aspiradora de piscina y sustituir el propulsor, el motor y la batería por sí mismo.

¡PRECAUCIÓN!

- El calor excesivo puede dañar la batería y reducir su vida útil.
- Consulte con su distribuidor para la sustitución de la batería si ocurre lo siguiente:
 - La batería parece dañada o no se carga completamente.
 - El tiempo de funcionamiento de la batería se ha reducido considerablemente. Observe y anote el tiempo de funcionamiento durante los primeros usos (con una carga completa). Use esta información como referencia para comparar el tiempo de funcionamiento en el futuro.
- La batería debe sacarse de la aspiradora de piscina antes de ser desechada.
- La aspiradora de piscina debe estar desconectada de la alimentación eléctrica para retirar la batería.
- La batería debe desecharse de manera segura y de acuerdo con las ordenanzas o regulaciones locales.

NOTA: Un mantenimiento incorrecto puede reducir la vida útil de la batería y afectar a su capacidad.

ELIMINACIÓN DE LA BATERÍA (Debe hacerlo un técnico autorizado)

Su aspiradora de piscina está equipada con un paquete de baterías de iones de litio recargable que no requiere mantenimiento y que debe ser desechado correctamente. Su reciclaje es obligatorio; contacte con su autoridad local para obtener más información.

¡ATENCIÓN! Nunca debe intentar desmontar un paquete de baterías.

- Retire todos los objetos personales, como anillos, pulseras, collares y relojes, cuando el paquete de baterías esté desconectado de la aspiradora de piscina.
- Una batería puede generar una corriente de cortocircuito lo suficientemente elevada como para soldar un anillo (u objeto similar) al metal, causando graves quemaduras.
- Al retirar el paquete de baterías debe llevar gafas protectoras, guantes y ropa protectora.
- Evite tocar los cables y que éstos entren en contacto con cualquier objeto metálico, lo cual podría causar chispas y/o un cortocircuito en la batería.
- No fume ni permita la presencia de chispas o llamas cerca de la batería ni de la aspiradora de piscina.
- No exponga la batería al fuego o a calor intenso, ya que se podría producir una explosión.

¡PRECAUCIÓN!

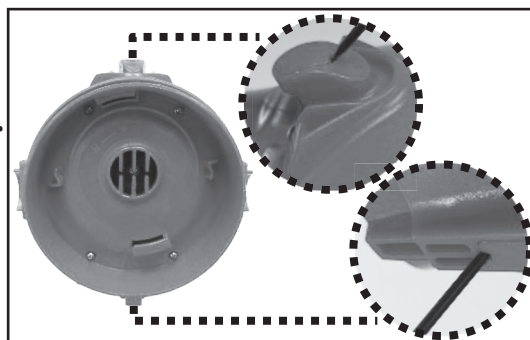
Si se produce una fuga, evite entrar en contacto con los líquidos y coloque la batería dañada en una bolsa de plástico.

- Si los líquidos de la fuga entran en contacto con piel o ropa, lávese inmediatamente con mucha agua y jabón.
- Si los líquidos de la fuga entran en contacto con sus ojos, no los frote; láveselos inmediatamente con agua fresca durante un mínimo de 15 minutos sin frotar. Busque atención médica lo antes posible.

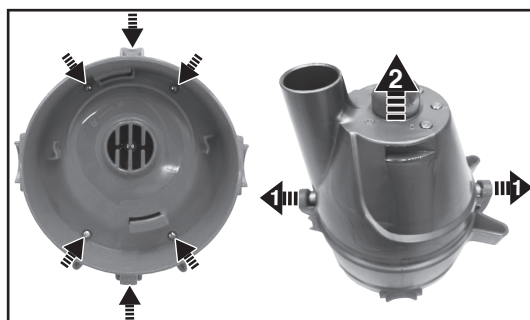
Cómo retirar el paquete de baterías solo para la eliminación de la batería (debe hacerlo un técnico autorizado)

Herramientas recomendadas (no incluidas): Destornillador Philips.

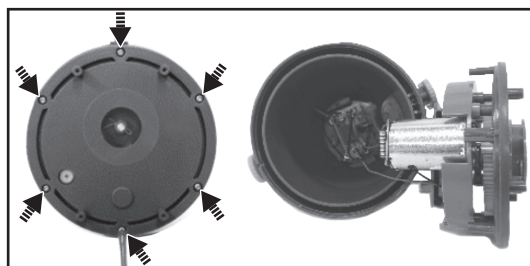
- 1) Siga las instrucciones para liberar el contenedor transparente y el cono de filtro.
- 2) Utilice un destornillador plano pequeño para hacer palanca y quitar las cubiertas de los tornillos según se muestra.



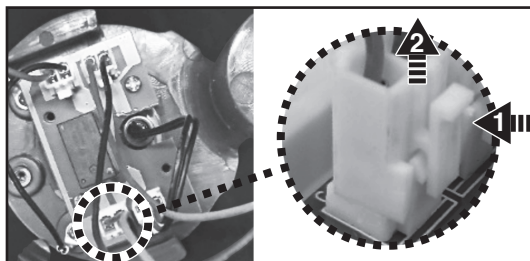
- 3) Use el destornillador para desatornillar los 6 tornillos situados en la placa superior y luego retire la placa de la carcasa trasera para acceder a la cubierta de la misma.



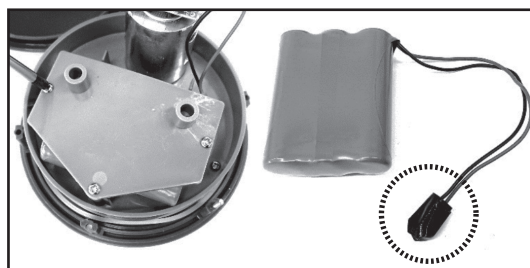
- 4) Desatornille los 6 tornillos y retire la cubierta para acceder al PCBA, al conjunto del motor y al paquete de la batería.




- 5) Para soltar el cable de conexión de las baterías, presione el clip del conector y tire de él.



- 6) Desatornille los 3 tornillos para retirar la tapa del compartimento de las baterías y, a continuación, extraiga el paquete de las baterías. **NOTA:** Envuelva inmediatamente con cinta aislante el conector para evitar que los extremos de ambos cables entren en contacto y se produzca un cortocircuito.



RESOLUCIÓN DE PROBLEMAS

Problema	Posible causa	Solución
La aspiradora de piscina no captura los desechos	La batería se está acabando	Vuelva a cargar la batería.
	El propulsor está atascado	Apague la aspiradora de piscina y compruebe visualmente el hueco situado en el centro de la aspiradora para ver si el propulsor está atascado a causa de restos grandes. Si es posible, use una herramienta pequeña para retirar los restos con mucho cuidado. Si es necesario, contacte con su proveedor para obtener más instrucciones. ¡ATENCIÓN! Asegúrese de que la aspiradora de piscina está desconectada antes de manipular la unidad.
	El propulsor está roto	Contacte con su proveedor para sustituir el propulsor.
	El filtro está lleno	Limpie el filtro.
	Restos grandes / gran volumen de restos	Retire el cabezal de succión (no recomendado en el caso de piscinas revestidas de vinilo o piscinas de fibra de vidrio, ya que podría arañar la superficie).
Los restos se salen del filtro	La solapa de la boquilla de succión está rota	La solapa de la boquilla de succión actúa como una compuerta, evitando que los restos salgan del filtro. Contacte con su proveedor para sustituir piezas y recibir instrucciones.
	La red del filtro está dañada	Sustitúyalo por un nuevo filtro cónico.
	La válvula de salida se sale	Sin la válvula de salida, la aspiradora de piscina podría succionar restos a través de esta abertura. Contacte con su proveedor para sustituir la válvula.
El conector de la pérgola no se puede fijar al conjunto	El pasador lateral está roto	Sustitúyalo por un nuevo conector de pértiga.
La aspiradora de piscina no se puede cargar / recargar	La batería está dañada	Contacte con su proveedor para sustituir la batería. ¡ATENCIÓN! NO abra la aspiradora de piscina ni sustituya la batería por sí mismo. Podría sufrir heridas graves o fatales y la garantía quedaría anulada.
	Las placas de contacto de la base de carga y la unidad no están conectadas	Asegúrese de que la base de carga está montada en la unidad de manera correcta, de modo que sus placas de contacto se toquen.
	El adaptador externo no funciona	Contacte con su proveedor para la sustitución. ¡ATENCIÓN! Si usa un adaptador externo incorrecto podría dañar la aspiradora de piscina / la batería, por lo que la garantía quedaría anulada.
La aspiradora de piscina está activada aunque el interruptor indica que está apagada	La presencia de objetos magnéticos en las proximidades ha enendido el motor sin querer	Aleje los objetos magnéticos de la aspiradora de piscina.
El tiempo de funcionamiento es inferior al esperado	La batería no está completamente cargada	Cargue la aspiradora de piscina al menos durante 6 horas. NOTA: Si aparecen manchas en las placas de contacto para la recarga, límpielas con un bastoncillo de algodón impregnado en zumo de limón o vinagre.
Programas medioambientales, Directiva Europea WEEE		
	Respete las regulaciones de la Unión Europea y ayúdenos a proteger el medio ambiente. Devuelva los equipos eléctricos desechados al punto indicado por su municipio, en el que se recicle correctamente el equipo eléctrico y electrónico. No lo deposite en contenedores de basura sin separar. En el caso de objetos que incluyan pilas, sáquelas antes de depositar el producto.	
	Todos los derechos reservados. Queda prohibida la reproducción o transmisión parcial o total de este documento de ninguna forma y por ningún medio electrónico, mecánico, en fotocopia, grabación u otros, sin la autorización previa por escrito de Kokido Development, Ltd. (L-23010013)	

Si necesita una copia digital de este manual de instrucciones, contacte con nuestro servicio de Atención al Cliente por correo electrónico: customerservice@kokido.com

GUARDE ESTAS INSTRUCCIONES


Observação: Dependendo do modelo que você possui, os acessórios/peças mostrados neste manual podem não estar incluídos em todos os modelos. O produto/peças nas fotos/desenhos podem variar de acordo com o modelo adquirido. Verifique o desenho das peças de reposição para entender as peças incluídas no modelo que você adquiriu.

INSTRUÇÕES E AVISOS DE SEGURANÇA

As informações existentes neste Manual de Instruções ajudá-lo-ão a operar o item de forma segura, proteja-se a si e a outros de perigos, e evitar danos no dispositivo e outros bens.

GUARDE ESTAS INSTRUÇÕES

AVISO!

- Isto não é um BRINQUEDO. As crianças devem ser mantidas afastadas deste aspirador de piscina e dos seus acessórios.
- Nunca deixe crianças operar este aspirador de piscinas.
- Este dispositivo não serve para ser utilizado por pessoas com capacidades físicas, sensoriais ou mentais reduzidas, ou falta de experiência e conhecimento, a menos que estejam sob supervisão ou a receber instruções relativamente à utilização segura do dispositivo e entendem os perigos envolvidos por parte de uma pessoa responsável pela sua segurança.
- As crianças não devem brincar com este produto.
- A limpeza e a manutenção do aspirador de piscinas não deve ser realizada por crianças
- Certifique-se de que o aspirador de piscinas está totalmente submerso na piscina antes de iniciar o manuseamento. O nível de água mínimo necessário para operar o aspirador de piscinas deverá estar acima do interruptor LIGAR/DESLIGAR do aspirador de piscinas quando seguro numa posição vertical. Operar o aspirador de piscinas quando o mesmo não está submerso corretamente poderá danificar a unidade e anular a garantia.
- A profundidade operativa máxima em água é de 3 metros (9,8ft).
- Temperatura máxima da água: 5°C (41°F) – 42°C (107.6°F)
-  Unidade de alimentação extraível (adaptador externo).
- O aspirador de piscinas só deve ser recarregado com o adaptador externo e a base de carregamento fornecidos com este produto.
- Para carregar a bateria, utilize apenas a unidade de alimentação extraível fornecido com este aspirador de piscinas para carregar a bateria.
- Conecte o adaptador externo a uma fonte de alimentação através de um dispositivo de corrente residencial (RCD)/um interruptor de circuito de falha de terra (GFCI). Se houver dúvidas, consulte um electricista qualificado.
- Não utilize este aspirador de piscina se forem detetados danos.
- Substitua as peças danificadas por umas certificadas pelo distribuidor ou fabricante.

- Desligue a alimentação, desconecte o adaptador externo da fonte de alimentação, e desligue o adaptador externo da base de carregamento antes de retirar o aspirador de piscinas da base de carregamento.
- Desconecte o aspirador de piscinas da alimentação principal e certifique-se de que o aspirador de piscinas está DESLIGADO antes de realizar a manutenção regular como, por exemplo, limpeza do filtro e dos pinos de carregamento.
- Não tente substituir a bateria de Lítio-íão recarregável.
- NÃO manuseie o aspirador de piscinas, o adaptador externo e a base de carregamento enquanto está a carregar com as mãos molhadas ou sem sapatos.
- Certifique-se de que as crianças não tentem acessar o aspirador de piscina enquanto estiver em funcionamento.
- NÃO utilize este aspirador de piscinas sem um cone do filtro intacto, uma vez que a sua garantia será anulada.
- Perigo de entalamento de sucção: Este aspirador de piscinas gera sucção. Não deixe que cabelo, partes do corpo ou quaisquer outras partes da sua roupa entrem em contacto com o orifício de sucção do aspirador da piscina durante o seu funcionamento.
- Nunca insira partes corporais, roupa ou outros objetos nas aberturas e partes em movimento do aspirador de piscina.
- NÃO utilize este aspirador de piscinas para apanhar substâncias tóxicas, inflamáveis e líquidos combustíveis (ou seja, gasolina) na presença de fumos explosivos ou inflamáveis.
- Sob circunstância alguma deverá tentar desmontar o aspirador de piscinas e substituir o propulsor, o motor ou a bateria.
- Nunca insira os dedos ou qualquer objeto para tocar no propulsor.
- A bateria embutida deve ser removida por um técnico qualificado antes de ser eliminada.
- O aspirador de piscinas contém uma bateria que só pode ser removida por pessoas aptas.
- O aspirador de piscinas deverá estar desconectado da alimentação principal aquando da remoção da bateria
- Para detalhes relativamente à eliminação/reciclagem da bateria, consulte a secção "ELIMINAÇÃO DA BATERIA" neste manual e contacte as autoridades locais para mais informações.
- A bateria deve ser eliminada de forma segura de acordo com os regulamentos e decretos locais.
- Adaptador externo e base de carregamento:
 - Nunca utilize o adaptador externo e a base de carregamento para o que for que não seja carregar a bateria do aspirador de piscinas que é fornecido no mesmo pack.
 - O adaptador externo e a base de carregamento não devem ser utilizados no exterior, nem devem ser expostos a chuva, humidade e a quaisquer líquidos ou a calor.
 - O transformador (ou adaptador externo) dever-se-á localizar fora

da zona 1

- Mantenha o adaptador externo e a base de carregamento fora do alcance das crianças.
- Nunca utilize o adaptador externo e a base de carregamento se forem detetados quaisquer danos.
- NÃO manuseie o adaptador externo e a base de carregamento com as mãos molhadas.
- NÃO manuseie o aspirador de piscinas, o adaptador externo e a base de carregamento durante o carregamento, com as mãos molhadas e sem sapatos.
- Mantenha o adaptador externo desconectado da alimentação quando não estiver a ser utilizado.
- Nunca tente abrir o adaptador externo e a base de carregamento.
- Se o cabo de alimentação do adaptador externo estiver danificado, o adaptador externo deve ser substituído pelo fabricante ou agente representante para evitar potenciais perigos deste tipo.
- Certifique-se de que o aspirador de piscinas e a base de carregamento estão totalmente secos antes de carregar.

CUIDADO!

- Este aspirador de piscina foi criado apenas para utilização subaquática; não é um aspirador multifunções. NÃO tente utilizá-lo para limpar qualquer coisa que não a sua piscina.
- Utilize apenas acessórios originais entregues com o produto.
- NÃO utilize este aspirador após choque de piscina. Recomenda-se que deixe a piscina circular durante, pelo menos, 24 a 48 horas.
- Se utilizar o aspirador de piscinas numa piscina de água salgada, certifique-se de que todo o sal está dissolvido antes de deslocar o aspirador de piscinas.
- NÃO utilize este aspirador de piscinas com outro limpador automático simultaneamente na piscina.
- Evite apanhar objetos rígidos e afiados com este produto podem danificar o aspirador de piscinas e o filtro.
- Tenha cuidado aquando da limpeza dos degraus da piscina
- Para evitar danos no adaptador externo e na base de carregamento, não tente transportar o aspirador de piscinas pelo cabo do adaptador externo / base de carregamento ou puxe o cabo para desconectá-lo da fonte de alimentação e da base de carregamento.
- Carregue o aspirador de piscinas no interior numa área limpa e seca com boa ventilação e uma temperatura ambiente entre 5°C (41°F) e 35°C (95°F).
- NÃO deixe o aspirador de piscina a carregar durante mais de 10 horas.
- Se o aspirador de piscinas não for utilizado durante o período longo, retire-o da base de carregamento e utilize um pano húmido para limpar e secar o aspirador de piscinas e acessórios. Certifique-se de que carrega o aspirador de piscinas para cerca de 30% a 50% da capacidade de bateria antes de ser guardado. Guarde-o numa área bem ventilada afastado da luz direta do sol, do calor, de fontes de ignição, de químicos da piscina e de crianças. Nunca deixe o aspirador de piscinas ligado em armazenamento a longo prazo. Carregue o aspirador de piscina a cada três meses.

Os avisos e cuidados acima não têm como objetivo incorporar todas as possíveis instâncias de riscos e/ou lesões graves. Os proprietários da piscina/spa deverão ter sempre um cuidado extra e senso comum aquando da utilização do produto.

INÍCIO

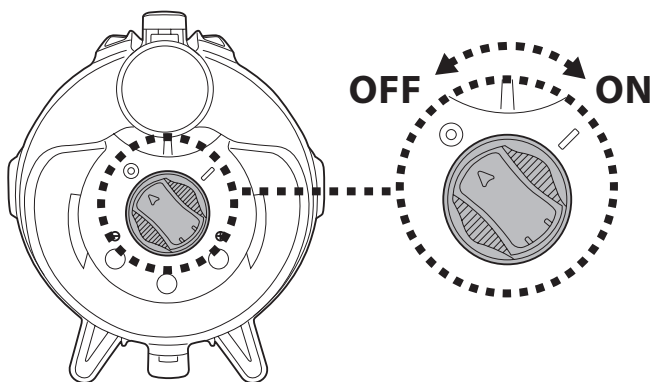
Carregar a bateria

NOTA IMPORTANTE: Carregue na totalidade o aspirador de piscinas (cerca de 6 hrs) antes de o utilizar pela primeira vez.

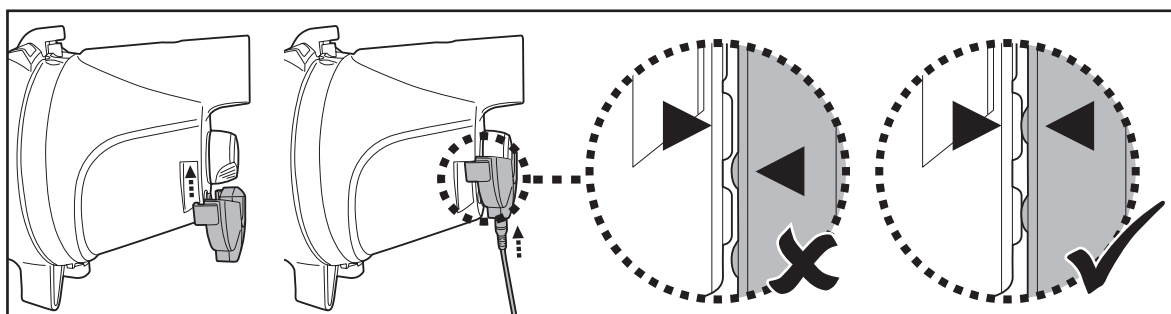
AVISO!

- Utilize apenas o adaptador externo original e a base de carregamento fornecidos.
- Certifique-se de que o aspirador de piscinas e a porta de carregamento estão limpos e secos antes da configuração e do carregamento. (DÍCAS: utilize um cotonete para secar a porta de carregamento e os pinos de carregamento)
- O carregamento deverá ser realizado num local fechado, numa área bem-ventilada afastada da luz solar, de crianças, de calor, de fontes de ignição e com uma temperatura ambiente entre 5°C (41°F) e 35°C (95°F).
- Nunca utilize o adaptador externo e a base de carregamento se forem detetados quaisquer danos.
- Os pinos de carregamento são à prova de água. No entanto, resquícios de água na porta e em volta dos pinos poderão resultar numa ocorrência natural de manchas (um subproduto da reação química entre a água e as correntes elétricas). Caso contrário, as manchas podem ser removidas esfregando ligeiramente com um cotonete embebido em sumo de limão ou vinagre.
- Certifique-se de que o aspirador de piscinas está desligado antes de carregar.

1. Coloque a unidade numa superfície plana. Certifique-se de que o aspirador de piscinas está desligado colocando o interruptor de ligar/desligar na posição OFF antes do carregamento.



2. Alinhe e deslize o gancho da base de carregamento para o entalhe lateral no fundo do corpo traseiro até que pare. Certifique-se de que as placas de contacto estão bem em contacto. Ligue a tomada fêmea do adaptador externo à porta de carregamento na extremidade da base de carregamento.



3. Ligue o adaptador externo à fonte de alimentação. Assim que o aspirador de piscinas começar a carregar, a luz indicadora no adaptador externo ficará vermelha. Normalmente, demora cerca de 5-6 horas a alcançar a carga total. A luz indicadora ficará verde assim que o aspirador de piscinas estiver totalmente carregado.

NOTA: se o motor estiver a gerar ruído, desligue a unidade posicionando o interruptor de ligar/desligar na posição OFF.

- Desconecte imediatamente o adaptador externo da fonte de alimentação se detetar qualquer uma das seguintes situações:
 - Odor agressivo ou anormal
 - Calor excessivo
 - Deformação, rachas, fugas
 - Fumo

4. Quando o carregamento estiver concluído, desconecte o adaptador externo da fonte de alimentação e retire a base de carregamento da unidade e do adaptador externo.

Normalmente, o aspirador de piscina pode operar por até 40 minutos (para o Modelo EV56) / 90 minutos (para o Modelo EV57) com uma carga completa (carregado por 5-6 horas).

Nota: Limpe a filtro com regularidade. Resíduos excessivos dentro da filtro aumentam o peso para o funcionamento do motor e encurtam a duração da operação.

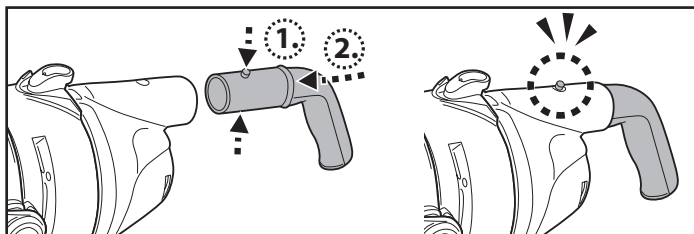
FACTO: A bateria de ião-lítio é classificada como item consumível. Tem uma vida limitada e irá gradualmente perder a sua capacidade de manter uma carga. Assim, o tempo de funcionamento do aspirador de piscinas irá reduzir, gradualmente, devido ao carregamento e descarga repetidos na operação.

Assim que a vida útil da bateria alcança o seu fim, consulte a secção "ELIMINAÇÃO DA BATERIA" para instruções relativamente a eliminação da bateria.

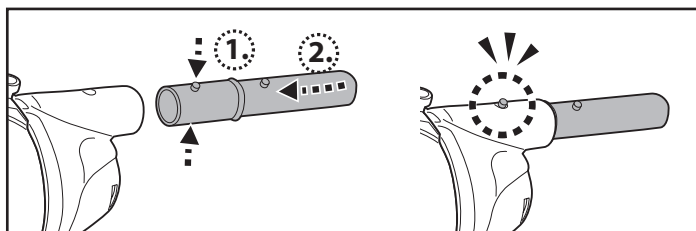
NOTA: Deixe o aspirador de piscina descansar durante 30 a 40 minutos antes de o carregar novamente.

Configuração antes da utilização

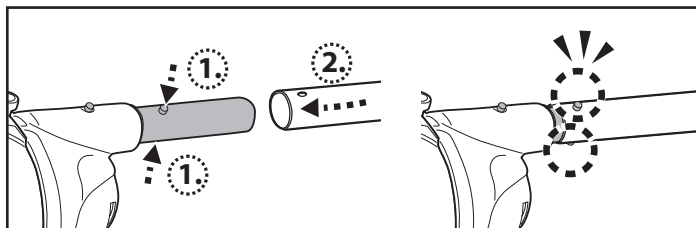
Montagem da Alça



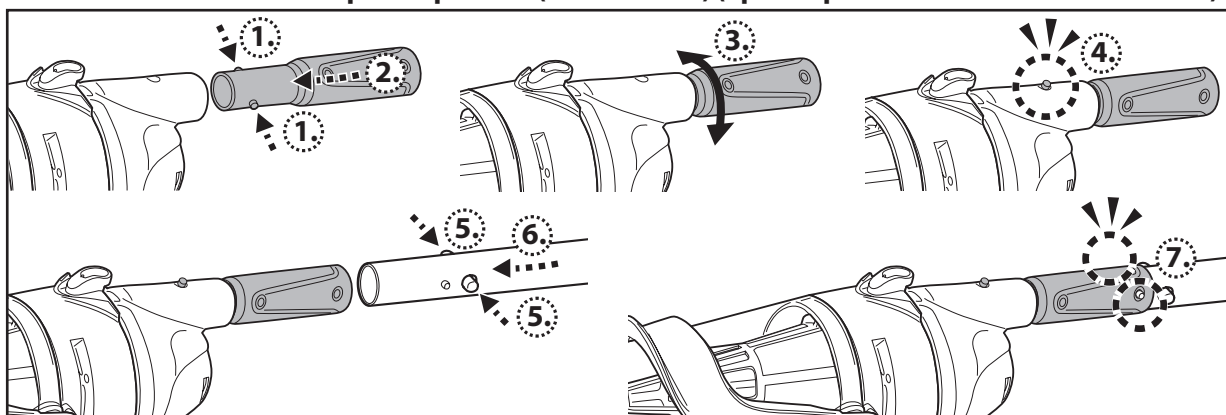
Montagem de conector de pólo



Unidade do mastro telescópico (não fornecida) (apenas para UE e EUA)



Unidade de mastro telescópico específica (não incluída) (apenas para Austrália e Nova Zelândia)

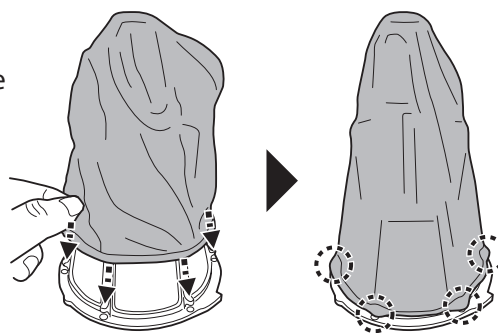


Montagem da meia filtrante

(Observação: A meia do filtro não está necessariamente incluída com cada modelo)

- **NOTA:** Uma meia filtrante é fornecida para filtrar partículas finas.

Coloque a meia sobre o cone e estique-a até o final. Enganche a borda da meia nos ganchos de travamento ao longo do cone de filtro.



Preparação da Piscina

- Se existirem pedras, raízes ou corrosão de metal em contacto com a face interior do revestimento, elimine-os antes de utilizar o aspirador de piscinas. Se necessário, procure assistência de um profissional qualificado.
- Se o revestimento estiver quebradiço, danificado ou enrugado, contacte um profissional qualificado para realizar as reparações necessárias, ou substitua o revestimento antes de utilizar o aspirador de piscinas.
- Se utilizar uma piscina de água salgada, certifique-se de que todo o sal está dissolvido antes de colocar o aspirador de piscinas na água.

OPERAÇÃO

AVISO!

- Certifique-se de que o aspirador de piscinas está desligado
- Não utilize O aspirador de piscina se forem detetados danos.
- Podem ocorrer manchas de óleo devido a possíveis fugas de lubrificandos aplicados no O-ring.
- Certifique-se de que o aspirador de piscinas está totalmente submerso na piscina antes de iniciar o manuseamento. O nível de água mínimo necessário para operar o aspirador de piscinas deverá estar acima do interruptor LIGAR /DESLIGAR do aspirador de piscinas quando seguro numa posição vertical. Operar o aspirador de piscinas quando o mesmo não está submerso corretamente poderá danificar a unidade e anular a garantia.
- NÃO utilize o aspirador de piscinas sem um cone do filtro intacto colocado. Utilizar o aspirador de piscinas sem um cone do filtro intacto colocado irá ANULAR a sua garantia.
- NÃO deixe o aspirador de piscinas na água quando o mesmo não estiver a ser utilizado.
- Certifique-se de que o cabo de carregamento está retirado e de que a porta de carregamento está ligada com a tampa protetora antes de o aspirador de piscinas ser deslocado.
- Certifique-se de que a base de carregamento esteja desconectada antes de usar o aspirador de piscina.

1) Coloque o seu aspirador de piscina para a lateral da sua piscina/do seu spa. Submerja o aspirador de piscinas em água e coloque o botão LIGAR/DESLIGAR para a posição ON para iniciar a operação.

CUIDADO! Certifique-se de que o aspirador de piscinas está sempre virado para baixo quando é colocado na piscina. Caso contrário, poderá dobrar o conector do mastro e danificá-lo durante o processo.

2) Para retirar o aspirador de piscinas da piscina/spa, levante o aspirador de piscinas enquanto aponta para baixo de modo a permitir que a água descarregue da válvula de saída. A água vai sair através do manípulo/conector de mastro e dos orifícios de drenagem dentro da câmara do manípulo no corpo traseiro.

CUIDADO! Certifique-se de que o aspirador de piscinas está sempre virado para baixo quando é removido da piscina. Caso contrário, o conector do mastro poderá ficar dobrado e danificar o aspirador de piscinas no processo.

3) Lave o aspirador de piscina com água fresca após cada utilização. NÃO utilize qualquer detergente.

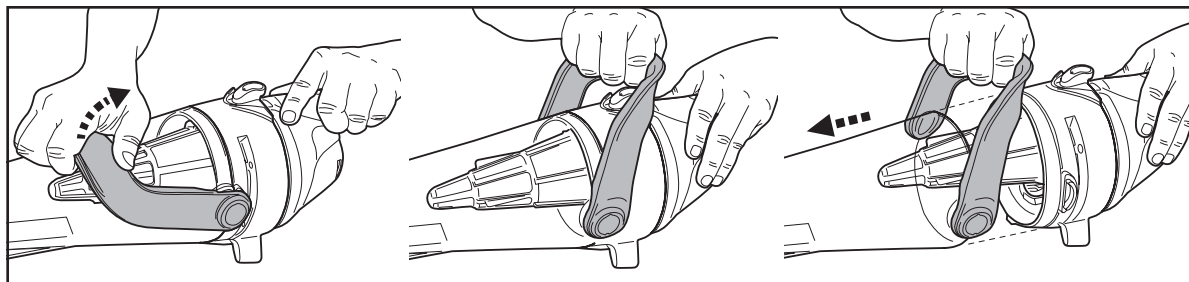
Esvaziar o filtro/ limpar a meia do filtro

AVISO! Utilize o aspirador de piscinas sem um cone do filtro colocado irá **ANULAR** a sua garantia.

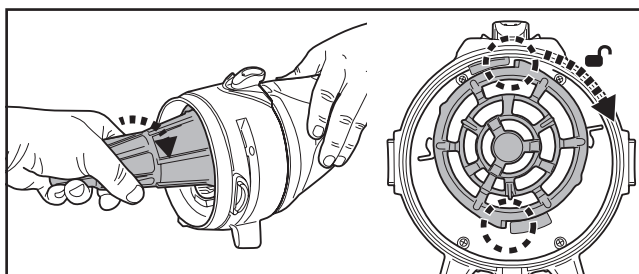
De modo a maximizar a eficiência de limpeza, certifique-se de que limpa o meia do filtro / cone do filtro antes e após cada utilização.

CUIDADO! Se o aspirador de piscinas estiver a carregar, desconecte o adaptador externo da fonte de alimentação e retire o aspirador de piscinas da base de carregamento. Certifique-se de que o aspirador de piscinas está OFF.

- 1) Coloque o aspirador de piscina numa superfície estável.
- 2) Segure o aspirador de piscinas e levante a alavanca do recipiente até à extremidade para libertar, na totalidade, os bloqueios laterais.



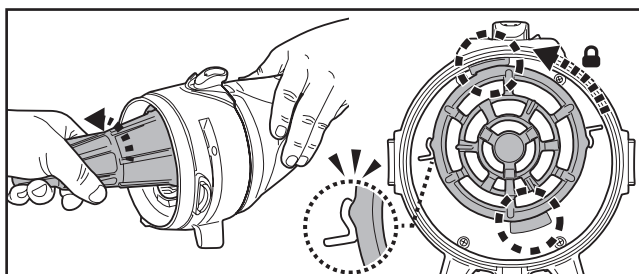
- 3) Desencaixe o recipiente e delicadamente desengate a meia filtrante do cone de filtro. Remova a meia filtrante e gire o cone de filtro no sentido horário até que pare. Retire o cone de filtro do aspirador de piscinas.



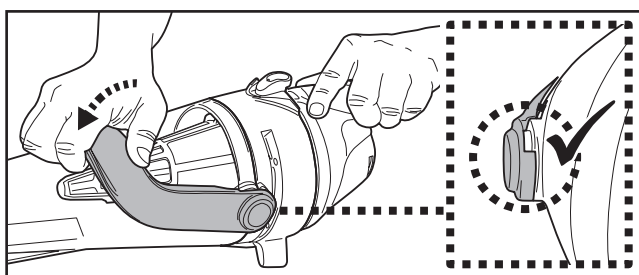
CAUTION! Substitua imediatamente a meia filtrante/cone do filtro danificado antes da próxima operação.

- 4) Enxágue a meia filtrante com água limpa.
- 5) Limpe os detritos da capa e enxágue o cone do filtro com água. Se for considerado necessário escovar, use apenas uma escova macia para limpar o cone do filtro de forma suave e cuidadosa.

- 6) Reverta as etapas anteriores para remontar a meia filtrante/cone do filtro. Gire o cone do filtro no sentido anti-horário até que sua aba lateral esteja fixada na entalhe de ambos os lados, conforme mostrado. Você ouvirá um som de “clique”.



- 7) Alinhe e remonte o recipiente ao aspirador de piscina e certifique-se de que a alavanca esteja fixada pressionando-a completamente para baixo até a recipiente.



MANUTENÇÃO E ARMAZENAMENTO

NOTA:

- 1) Certifique-se de que limpa e seca as áreas em volta da porta de carregamento e os pinos de carregamento após cada utilização para evitar a formação de manchas (subproduto de uma reação química natural entre corrente elétrica e água). Caso contrário, as manchas podem ser removidas esfregando ligeiramente com um cotonete embebido em sumo de limão ou vinagre.
- 2) A bateria descarrega sozinha durante o armazenamento. Certifique-se de que carrega o aspirador de piscinas para cerca de 30% a 50% da capacidade de bateria antes de ser guardado.
- 3) Deverá recarregar a bateria pelo menos uma vez a cada três meses quando a mesma não for utilizada.
 - Desligue o adaptador externo da tomada e depois desligue a tomada do adaptador da base de carregamento.
 - Retire os acessórios do aspirador de piscinas. Se necessário, lave o aspirador de piscinas e os acessórios com água fresca. NÃO utilize detergente.
 - Certifique-se de que drena a água da unidade, do manípulo e conector do mastro.
 - Utilize um pano húmido para limpar e secar o aspirador de piscina e seus acessórios.
 - Guarde-os numa área bem ventilada afastados da luz do sol, de crianças, de calor, de fontes de ignição e de químicos de piscinas. Ambient temperature for storage should be 10°C – 25°C (50°F – 77°F). NOTA: Uma temperatura superior poderá reduzir a vida útil da bateria durante o armazenamento.

AVISO!

- Nunca tente desmontar o aspirador de piscinas.
- Sob circunstância alguma deverá tentar desmontar o aspirador de piscinas e substituir o propulsor, motor e a bateria.

CUIDADO!

- Calor excessivo pode danificar a bateria e reduzir a vida útil do seu robô.
- Consulte o seu revendedor relativamente à substituição da bateria, se acontecer o seguinte:
 - A bateria não carrega na totalidade.
 - O tempo de funcionamento da bateria está muito reduzido. Observe e registe os tempos de funcionamento das primeiras operações (totalmente carregada). Utilize estes tempos de funcionamento como ponto de referência para comparação com tempos de funcionamento no futuro.
- A bateria deverá ser removida do robô antes de ser colocada no lixo.
- O robô deve ser desconectado da alimentação elétrica quando a bateria está a ser removida.
- A bateria deve ser eliminada de forma segura de acordo com os regulamentos e decretos locais.

NOTA: A manutenção incorreta poderá reduzir a vida útil da bateria e afetar a sua capacidade.

ELIMINAÇÃO DA BATERIA (A ser realizada por um técnico autorizado)

O seu robô está equipado com um pack de bateria de ião-lítio recarregável e sem manutenção que deverá ser eliminado de forma adequada. A reciclagem é necessária; contacte a sua autoridade local para mais informações.

AVISO! Nunca tente desmontar a bateria.

- Remova todos os itens pessoais como, por exemplo, anéis, pulseiras, colares e relógios quando o pack da bateria está desligado do robô.
- Uma bateria pode produzir uma corrente de curto-circuito alta o suficiente para soltar um anel (ou item similar) a metal, causando uma queimadura grave no processo.
- Utilize proteção ocular completa, luvas e vestuário de proteção quando a bateria estiver a ser removida.
- Evite tocar nos cabos juntos e evitar o contacto entre eles e quaisquer itens de metal, que
- Poderão causar faíscas e/ou curto-circuito da bateria.
- Nunca fume ou permita uma faísca ou chama na proximidade da bateria ou do robô.
- Não exponha a bateria a fogo ou a calor intenso uma vez que isto poderá resultar numa explosão.

CUIDADO!

Se ocorrer uma fuga da bateria, evite qualquer contacto com os líquidos em fuga e coloque a bateria danificada num saco de plástico.

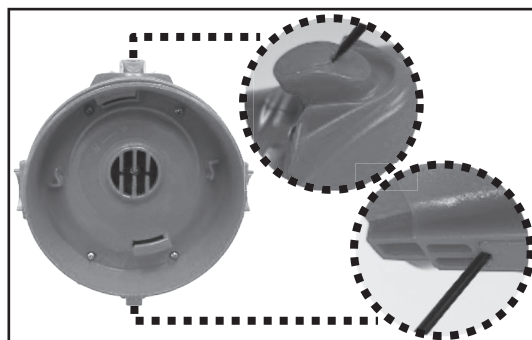
- Se os fluidos de fuga entrarem em contacto a pele e com a roupa, lave imediatamente com muita água e sabão.
- Se líquidos em fuga entrarem em contacto com a pele e com a roupa, lave imediatamente com muito sabão e água. Procure ajuda médica assim que for possível.

Como remover a bateria apenas para eliminação (A ser realizado por um técnico autorizado)

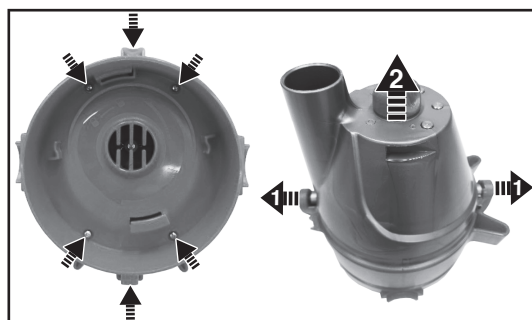
Ferramentas recomendadas (não incluídas): Chave de fendas Philips.

1) Siga as instruções para soltar o recipiente e o cone do filtro.

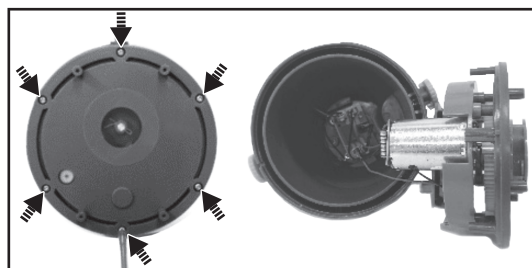
2) Utilize uma pequena chave de fenda plana para fazer alavanca e remover as tampas dos parafusos conforme mostrado.



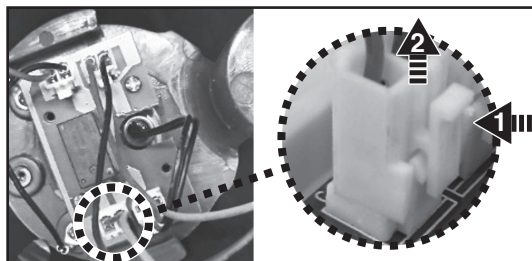
3) Utilize a chave de fendas para desaparafusar os 6 parafusos localizados na placa superior e depois retire-a do corpo traseiro para expor a tampa do corpo traseiro.



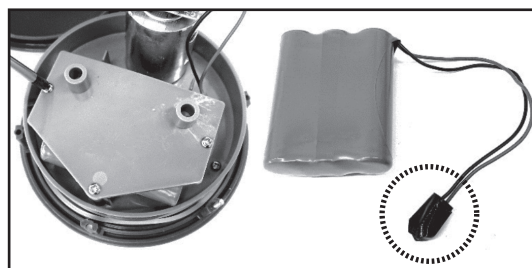
4) Desaparafuse 6 parafusos e retire a tampa para expor o PCBA, a unidade do motor e a bateria.





5) Para retirar o cabo de ligação da bateria, prima o clipe no conector e puxe-o para fora.



6) Desaparafuse os 3 parafusos para remover a tampa do compartimento da bateria e depois remova a bateria. **NOTA:** Enrole o conector imediatamente com fita isoladora de modo a evitar curto-circuito causado pelo contacto de ambos os terminais do cabo.



RESOLUÇÃO DE PROBLEMAS

Problema	Causa Possível	Solução
O aspirador de piscinas não captura resíduos	A bateria está a terminar	Carregue a bateria novamente.
	O propulsor está encravado	Desligue o aspirador de piscinas e verifique, visualmente, a falha no meio do aspirador de piscinas para ver se o propulsor está encravado por resíduos grandes. Se possível, utilize uma ferramenta pequena para remover os resíduos cuidadosamente. Se necessário, contacte o seu revendedor para instruções. AVISO! Certifique-se de que o aspirador de piscina está desligado quando a unidade estiver a ser verificada.
	O propulsor está danificado	Contacte o seu revendedor para substituir a bomba.
	O filtro está cheio	Limpe o filtro se aplicável.
	Resíduos grandes / volume grande de resíduos	Remova a cabeça de sucção (não recomendado para revestimento de vinil e piscinas de fibra de vidro uma vez que poderá riscar o revestimento de vinil e superfície de piscinas de fibra de vidro).
Resíduos escapam do filtro	A aba de bocal de sucção está danificada	A aba do bocal de sucção funciona como uma porta para evitar que resíduos escapem do filtro. Contacte o revendedor para substituir a peça e para instruções.
	A rede do filtro está danificada	Substitua-o por um cone de filtro novo.
	A válvula de saída, sai	Sem a válvula de saída, o aspirador de piscinas poderá capturar resíduos através desta abertura. Contacte o revendedor para substituir válvula.
Manípulo / conector de mastro não podem ser seguros na unidade	O pino lateral está danificado	Substitua-o por um novo manípulo / conector de mastro.
Aspirador de piscinas não carrega / recarrega	A bateria está danificada	Contacte o revendedor para substituição da bateria. AVISO! NÃO abra o aspirador de piscinas e substitua a bateria. Isto poderá resultar em lesões graves ou fatais e a garantia será anulada.
	As placas de contacto da base do carregador e a unidade não estão conectados	Certifique-se de que a base de carregamento está montada na unidade adequadamente para que as placas de contacto se toquem.
	Adaptador externo danificado	Contacte o revendedor para substituir. AVISO! Utilizar um adaptador externo errado irá resultar em danos no aspirador de piscina/na bateria e anular a garantia.
O aspirador de piscinas é ativado mesmo quando o interruptor diz que está desligado	A presença de objetos magnéticos nas proximidades ligou, inadvertidamente o motor	Afaste os objetos magnéticos ou o aspirador uns dos outros.
Tempo de operação mais curto do que o esperado	A bateria não está totalmente carregada	Carregue o aspirador de piscinas durante, pelo menos, 6 horas: NOTA: se quaisquer manchas forem encontradas nas placas de contacto de carregamento, remova-as utilizando um cotonete embebido em sumo de limão ou vinagre.
Programas Ambientais, Diretiva Europeia WEEE		
	Respeite os regulamentos da União Europeia e ajude a proteger o ambiente. Devolva equipamento elétrico avariado a uma unidade indicada pelo seu município que recicle adequadamente equipamento elétrico e eletrónico. Não elimine o equipamento em caixotes de lixo comuns. Para itens que contenham baterias removíveis, remova as baterias antes de eliminar o produto.	
	Todos os direitos reservados. Nenhuma parte deste documento poderá ser reproduzida ou transmitida sob qualquer forma ou através de quaisquer meios, eletrónicos, mecânicos, fotocópia, gravação ou outros, sem o prévio consentimento por escrito da Kokido Development Ltd. (L-23010013)	

Se uma cópia deste manual de instruções for necessária, contacte o nosso serviço de atendimento ao cliente via e-mail: customerservice@kokido.com

GUARDE ESTAR INSTRUÇÕES


Precisazione: A seconda del modello che possiedi, gli accessori/ parti mostrati in questo manuale non sono necessariamente inclusi in ogni modello. Il prodotto/le parti in foto/disegni possono variare a seconda del modello acquistato. Controlla il disegno delle parti di ricambio per capire le parti incluse nel tuo modello acquistato.

AVVERTENZE DI SICUREZZA & ISTRUZIONI

Le informazioni contenute in questo Manuale di Istruzioni vi aiuteranno a far funzionare l'oggetto in sicurezza, a proteggere voi stessi e gli altri da pericoli e a prevenire danni al dispositivo e ad altri beni.

CONSERVARE LE PRESENTI ISTRUZIONI

ATTENZIONE!

- Questo non è un giocattolo. I bambini devono essere tenuti lontani da questo aspiratore per piscina e dai suoi accessori.
- Non permettere ai bambini di usare questo aspiratore per piscina.
- Il presente apparecchio non deve essere utilizzato da persone con ridotte capacità fisiche, sensoriali o mentali o se privi di esperienza e conoscenza, salvo siano soggetti a supervisione o se gli sono state fornite istruzioni inerenti all'uso dell'apparecchio da parte di un responsabile incaricato della loro sicurezza.
- Non è consentito ai minori di giocare con questo aspiratore per piscina.
- Non è consentita ai minori la manutenzione e la pulizia del aspiratore per piscina.
- Assicurarsi che l'aspiratore per piscina sia completamente immerso nella piscina prima di avviare il funzionamento. Il livello minimo dell'acquarichiesta per l'aspiratore per piscina deve oltrepassare l'interruttore di accensione / spegnimento dell'aspiratore per piscina quando è tenuto in posizione verticale. L'utilizzo dell'aspiratore per piscina quando non è immerso correttamente potrebbe danneggiare l'unità e invalidare la garanzia.
- Massima profondità di utilizzo: 3m
- Massima temperatura di utilizzo: da 5°C (41°F) – 42°C (107.6°F)
-  Unità di alimentazione rimovibile (adattatore esterno).
- L'aspiratore per piscina deve essere ricaricato solo con l'adattatore esterno e la base di ricarica forniti con questo prodotto.
- Per ricaricare la batteria, utilizzare solo l'unità di alimentazione rimovibile fornita con questo pulitore per piscina per caricare la batteria.
- Collegare l'adattatore esterno a una presa elettrica tramite il dispositivo differenziale (RCD)/ un interruttore di messa a terra (GFCI). In caso di dubbi, consultare un elettricista professionista qualificato.
- Non utilizzate il aspiratore per piscina se risulta danneggiato.
- Sostituire le parti danneggiate con altre dotate dell'apposita certificazione che è stata fornita dal distributore o fabbricante.

- Spegner l'alimentatore, scollegare l'adattatore dall'alimentatore, e scollegare l'adattatore esterno dalla base di ricarica prima di staccare il aspiratore per piscina apparecchio dalla base di ricarica.
- Scollegare l'aspiratore della piscina dalla rete di alimentazione e assicurarsi che l'aspiratore della piscina sia spento prima di eseguire la manutenzione regolare, come la pulizia del filtro e delle piastre di contatto di ricarica.
- Non tentare di sostituire la batteria ricaricabile agli ioni di litio installata.
- NON maneggiare il aspiratore per piscina, l'adattatore esterno e la base di ricarica mentre è in carica con arti bagnati e senza scarpe.
- Assicurarsi che i bambini non tentino di accedere all'aspirapolvere per piscina durante il suo funzionamento.
- Non utilizzare questo aspiratore per piscina dell'apparecchio se priva di coni del filtro in posizione, altrimenti la garanzia verrà annullata immediatamente.
- Rischio di intrappolamento: il aspiratore per piscina funziona in aspirazione, non permettere a nessuna parte del corpo o agli indumenti di prendere contatto con la bocca di aspirazione del aspiratore per piscina durante l'utilizzo.
- Non inserite parti del corpo, vestiti o altri oggetti all'interno delle aperture o delle parti in movimento del aspiratore per piscina.
- NON utilizzare questo aspiratore per piscina per raccogliere sostanze tossiche, infiammabili e liquidi combustibili (ad es. Benzina) in presenza di fumi esplosivi o infiammabili.
- Non tentare di sostituire la girante, il motore e la batteria da soli.
- Non inserire mai le dita né altri oggetti per toccare la ventola.
- La batteria integrata deve essere rimossa da un tecnico qualificato prima di essere scaricata.
- Quest' aspiratore per piscina contiene una batteria che dev'essere rimossa soltanto da personale qualificato.
- L' aspiratore per piscina deve essere disconnesso dall'alimentazione principale quando la batteria viene rimossa.
- Per i dettagli relativi al riciclaggio / smaltimento della batteria, consultare la sezione "SMALTIMENTO DELLA BATTERIA" in questo manuale e contattare le autorità locali per ulteriori informazioni.
- La batteria dev'essere smaltita in modo sicuro, secondo quanto stabilito dalle ordinanze e i regolamenti locali.
- Adattatore esterno e base di ricarica:
 - Utilizzare l'adattatore esterno e la base di ricarica unicamente per ricaricare il pacco batterie del aspiratore per piscina consegnato con la fornitura.
 - L'adattatore esterno e la base di ricarica non devono essere usati all'aperto né esposti a pioggia, umidità, qualsiasi tipo di liquido o

calore.

- Il trasformatore (o adattatore esterno) dev'essere collocato fuori dalla zona 1.
- Mettere l'adattatore esterno e il base di ricarica fuori dalla portata dei bambini.
- Non utilizzate l'adattatore esterno e il base di ricarica se sono danneggiati.
- Non maneggiate l'adattatore esterno e il base di ricarica con le mani bagnate.
- NON maneggiare il aspiratore per piscina, l' adattatore esterno e la base di ricarica mentre è in carica con arti bagnati e senza scarpe.
- Tenete l'adattatore disconnesso dalla rete elettrica quando non è in uso.
- Non tentate mai di aprire l'adattatore esterno e il base di ricarica
- Se il cavo di alimentazione dell'adattatore esterno è danneggiato, l'adattatore esterno deve essere sostituito dal produttore o dal suo agente di servizio per evitare rischi di qualsiasi genere.
- Accertarsi che il aspiratore per piscina e il base di ricarica siano completamente asciutti prima di iniziare la ricarica.

ATTENZIONE!

- Questo aspiratore per piscina è stato progettato per essere utilizzato solamente sott'acqua; non è un aspiratore per piscina universale. Non utilizzate il aspiratore per piscina se non per pulire la vostra piscina.
- Utilizzate solamente gli accessori originali di corredo al prodotto.
- Non utilizzare il aspiratore per piscina immediatamente dopo un trattamento shock. Si raccomanda di lasciare circolare l'acqua della piscina per almeno 24/48 ore.
- Se usi una piscina con acqua salata, accertati che tutto il sale si sia dissolto prima di collocare il aspiratore per piscina nell'acqua.
- Non è raccomandato l'uso del aspiratore per piscina contemporaneamente a un altro aspiratore per piscina automatico/aspiratore per piscina.
- Evitare di raccogliere oggetti pesanti e a punta con questo prodotto. Possono danneggiare il aspiratore per piscina e il suo filtro.
- Fate attenzione quando pulite le scale della piscina.
- Per evitare danni all'adattatore esterno e alla base di ricarica, non trasportare il aspiratore per piscina dal cavo dell'adattatore esterno/base di ricarica né tirare la corda per disconnetterlo dalla fonte di alimentazione e dalla base di ricarica
- Caricare il aspiratore per piscina in un'area interna asciutta e pulita con una buona ventilazione e con una temperatura ambiente dai 5 ai 35°C.
- Non lasciate il aspiratore per piscina in carica per più di 10 ore.
- Se il aspiratore per piscina non viene utilizzato per un lungo periodo, scollegatelo dal base di ricarica e utilizzate un panno umido per pulire e asciugare il aspiratore per piscina e i suoi accessori. Accertarsi di portare la capacità della batteria del aspiratore per piscina tra il 30% e il 50% prima di conservarlo. Riponete il aspiratore per piscina in un area ben ventilata lontano dalla luce del sole, dal calore, dai prodotti chimici e dai bambini.

Le avvertenze e precauzioni che precedono non sono intese a comprendere tutti i possibili rischi e/o lesioni. I proprietari di piscine/spa dovranno avere una speciale attenzione e usare il buon senso comune durante l'uso del prodotto.

PER INIZIARE

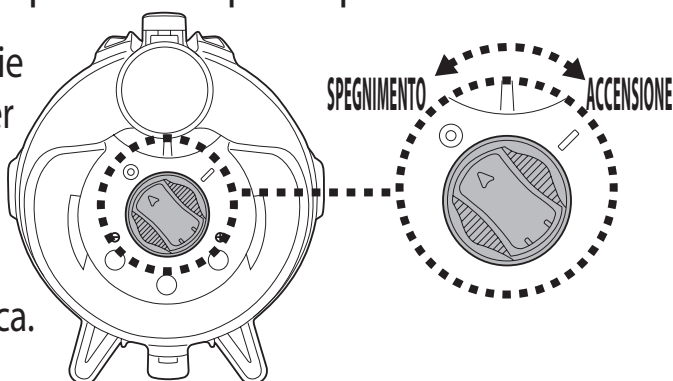
Caricare la batteria

NOTA IMPORTANTE: Caricare completamente il aspiratore e per piscina (circa 6 ore) prima di usarlo per la prima volta.

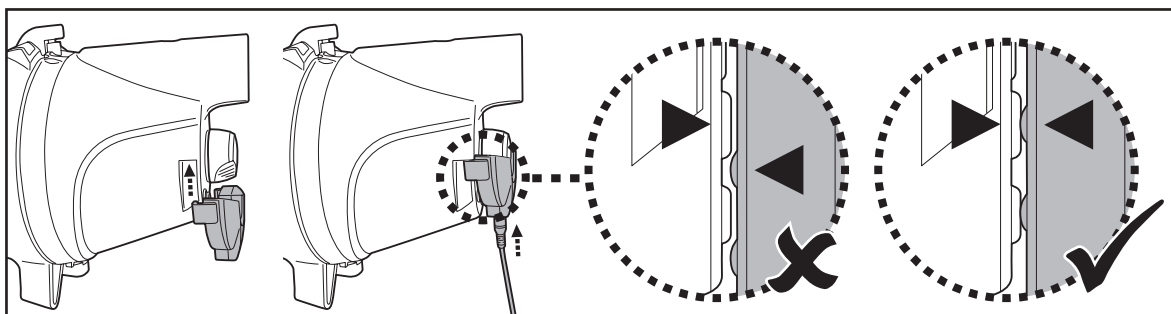
ATTENZIONE!

- Usare soltanto l'adattatore esterno originale e la base di ricarica fornito.
- Assicurarsi che l' aspiratore per piscina e le piastre di contatto per la ricarica siano puliti e asciutti prima di impostare e caricare. (SUGGERIMENTO: utilizzare un batuffolo di cotone per asciugare le piastre di contatto di ricarica.)
- La carica deve essere effettuata in casa, in una zona ben areata, lontano da luce solare, bambini, fonti di calore, combustibili, e con una temperature ambiente compresa tra 5°C e 35°C.
- Non usare mai l'adattatore esterno e il base di ricarica se sono danneggiati.
- Le piastre di contatto per la ricarica sono impermeabili. Tuttavia, i resti d'acqua nel porto e piastre di contatto provocare la presenza naturale di macchie (un sottoprodotto della reazione chimica tra acqua e correnti elettriche). Altrimenti, le macchie possono essere rimosse strofinando leggermente con un batuffolo di cotone imbevuto di succo di limone o aceto.
- Assicurarsi che il aspiratore per piscina sia spento prima di ricaricarlo.

1. Posizionare l'unità su una superficie piana. Accertarsi che l' aspiratore per piscina sia spento posizionando l'interruttore ACCENSIONE / SPEGNIMENTO in posizione "SPEGNIMENTO" prima della ricarica.



2. Allineare e far scorrere il gancio della base di ricarica sul nottolino laterale collocato nella parte inferiore del corpo posteriore fino a quando non si blocca. Accertarsi che le piastre facciano ben contatto. Inserire lo spinotto femmina dell'adattatore esterno nella porta di ricarica all'estremità della base di ricarica.



3. Collegare l'adattatore esterno alla fonte di alimentazione. Una volta che il aspiratore per piscina inizia a caricarsi, la spia sull'adattatore esterno diventa rossa. Normalmente, ci vogliono circa 5-6 ore per raggiungere una carica completa. La spia diventa verde quando il aspiratore per piscina è quasi completamente carico.

NOTA: se il motore genera rumore, assicurarsi che sia selezionato "SPEGNIMENTO" sull'interruttore di alimentazione.

- Spegnere e disconnettere immediatamente l'adattatore esterno dalla fonte di alimentazione se si verifica una delle seguenti condizioni:
 - Odore sgradevole o insolito
 - Calore eccessivo
 - Deformazione, rotture, fughe
 - Fumo
4. Quando la ricarica è completa, disconnettere l'adattatore esterno dalla fonte di alimentazione e scollegare la base di ricarica dall'adattatore esterno e dall'unità.

Normalmente, l'aspiratore per piscina può funzionare fino a 40 minuti (per il Modello EV56) / 90 minuti (per i Modelli EV57) con una carica completa (caricata per 5-6 ore).

NOTA: Pulire regolarmente il filtro. Detriti eccessivi all'interno del filtro aumentano il carico per il funzionamento del motore e di conseguenza riducono la durata operative.

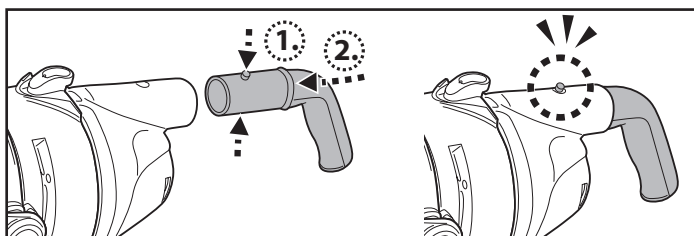
IMPORTANTE: la batteria ricaricabile agli ioni di litio è classificata come un articolo di consumo. Ha una durata di vita limitata e perderà gradualmente la sua capacità di mantenere la carica. Pertanto, la durata di funzionamento del aspiratore per piscina si ridurrà gradualmente dopo ripetute cariche ed utilizzi.

Una volta terminata la vita utile della batteria, leggere la sezione "SMALTIMENTO DELLA BATTERIA" per ottenere istruzioni per lo smaltimento della batteria.

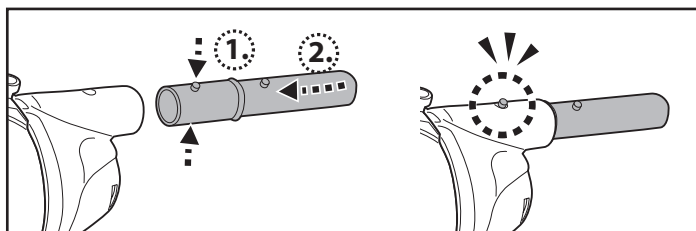
NOTA: Lasciare riposare il aspiratore per piscina da 30 a 40 minuti prima di caricarlo di nuovo.

Montaggio prima dell'uso

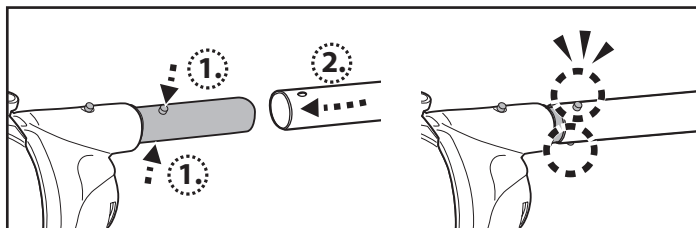
Assemblaggio maniglia



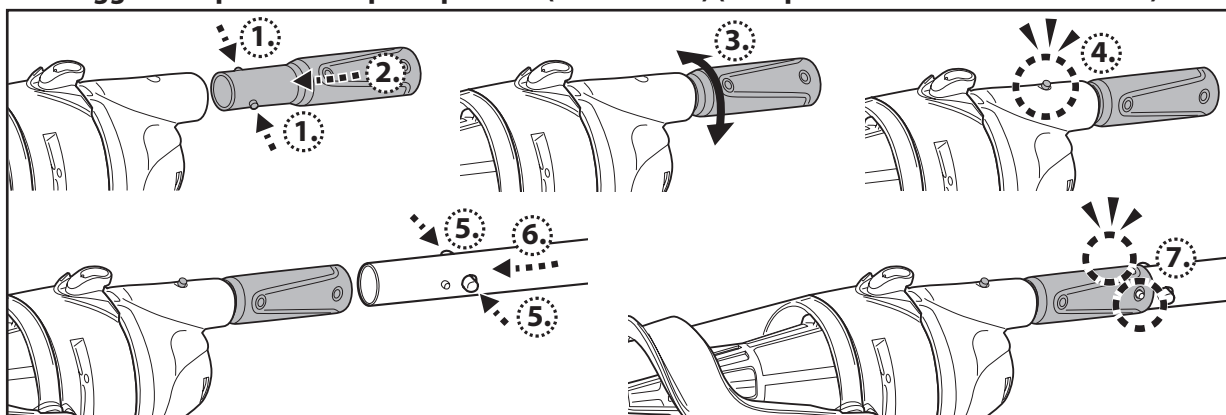
Assemblaggio connettore palo



Assemblaggio del manico telescopico (non incluso) (solo per USA / EU)



Montaggio dell' palo telescopico specifico (non incluso) (solo per Australia/Nuova Zelanda)

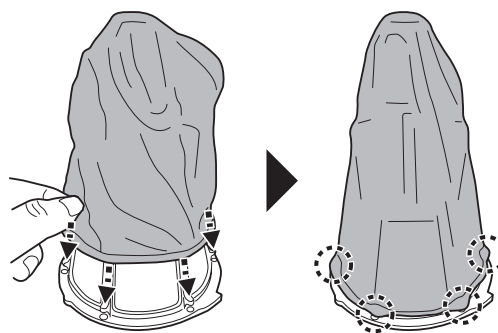


Montaggio della calza filtrante

(Nota: La calza filtrante non è necessariamente inclusa con ciascun modello)

- **NOTA:** l'apparecchio dispone di una calza filtrante che serve a filtrare le particelle fini.

Mettere la calza sul cono e allungarla fino alla fine. Agganciare il bordo della calza alle manopole di bloccaggio lungo il cono del filtro.



Preparazione della piscina

- Se ci sono pietre, radici o materiali soggetti a corrosione metallica a contatto con il fondo della piscina, eliminarli prima di usare il aspiratore per piscina. Se necessario, richiedere l'aiuto di un professionista qualificato.
- Se il rivestimento è usurato, danneggiato o grinzoso, contattare un professionista qualificato per l'esecuzione delle riparazioni necessarie o procedere alla sostituzione del rivestimento prima di usare il aspiratore per piscina.
- Se usi una piscina con acqua salata, accertati che tutto il sale si sia dissolto prima di collocare il aspiratore per piscina nell'acqua.

FUNZIONAMENTO

ATTENZIONE!

- Accertarsi previamente che il aspiratore per piscina sia spento.
- Potrebbero esserci macchie di olio dovute a perdite di lubrificante dagli O'ring.
- Assicurarsi che l'aspiratore per piscina sia completamente immerso nella piscina prima di avviare il funzionamento. Il livello minimo dell'acqua richiesto per azionare l'aspiratore per piscina deve oltrepassare l'interruttore di accensione / spegnimento dell'aspiratore per piscina quando esso è tenuto in posizione verticale. L'utilizzo dell'aspiratore per piscina quando non è immerso correttamente potrebbe danneggiare l'unità e invalidare la garanzia.
- NON utilizzare l'aspiratore per piscine senza un cono del filtro intatto. Utilizzare l'aspiratore per piscine senza un cono del filtro, la garanzia NON sarà più valida.
- NON coprire la scanalatura laterale del corpo dell'apparecchio durante l'uso, altrimenti la girante o il motore potrebbero danneggiarsi.
- NON lasciare il aspiratore per piscina in acqua quando non viene utilizzato.
- Assicurarsi che il base di ricarica sia scollegato prima di mettere in funzione l'aspiratore per piscina.

1) Porta l'aspiratore per piscina a lato della piscina / spa. Immergere l'aspiratore della piscina in acqua e posizionare l'interruttore di accensione / spegnimento in posizione "ACCENSIONE" per avviare il funzionamento.

ATTENZIONE!! Assicurarsi che il aspiratore per piscina sia sempre rivolto verso il basso quando viene messo in piscina, altrimenti il connettore potrebbe piegarsi e danneggiarsi durante l'utilizzo.

2) Per togliere l'aspiratore dalla piscina o dalla vasca idroterapica, sollevarlo tenendolo puntato verso il basso per consentire all'acqua di fuoriuscire dalla valvola di scarico. L'acqua fuoriesce dal manico, dal raccordo dell'asta e dai fori di scarico all'interno del manico sul corpo posteriore.

ATTENZIONE ! ASSICURARSI che il aspiratore per piscina sia sempre rivolto verso il basso, quando viene rimosso dalla piscina, altrimenti i connettori possono piegarsi e il aspiratore per piscina si può rovinare

3) Sciacquare il aspiratore per piscina con acqua pulita dopo ogni utilizzo. NON usare detersivi.

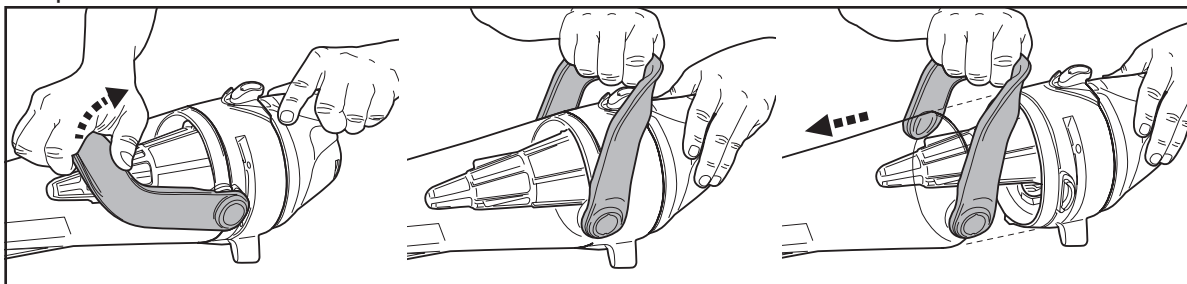
Svuotare il filtro / pulizia della calza filtrante

ATTENZIONE! Se si utilizza l'aspiratore per piscine senza calza filtrante / coni del filtro, la garanzia NON sarà più valida.

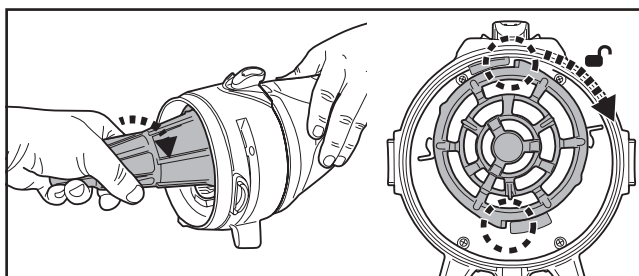
Per ottimizzare l'efficienza della pulizia, pulire il coni del filtro prima e dopo l'uso.

ATTENZIONE! Se il aspiratore per piscina si sta caricando disconnettere l'adattatore esterno dalla rete elettrica e togliere il aspiratore per piscina dalla base di ricarica. Accertarsi previamente che il aspiratore per piscina sia spento.

- 1) Posizionare il aspiratore per piscina su una superficie piana.
- 2) Tenere l'aspiratore per piscina e premere la leva del contenitore fino alla fine per rilasciare completamente le chiusure laterali.



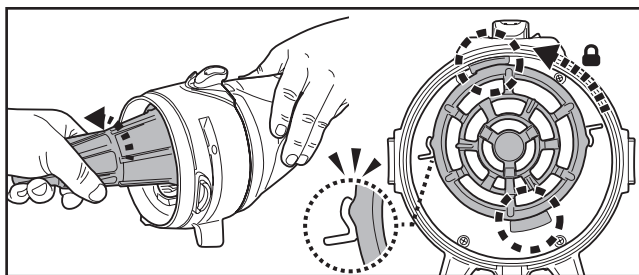
- 3) Staccare il cestello trasparente e sganciare con attenzione le calze dal cono del filtro. Rimuovere la calza e ruotare il cono del filtro in senso orario fino a quando si ferma. Estrarre il cono del filtro dal pulitore.



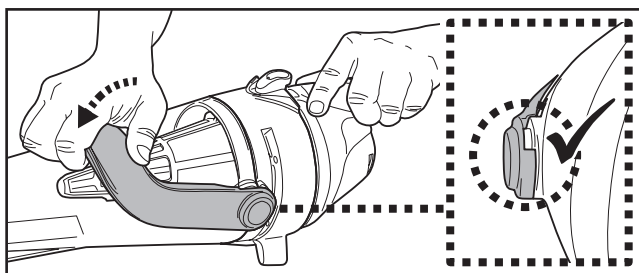
ATTENZIONE! Sostituire immediatamente il calza filtrante / cono del filtro danneggiato, prima di riutilizzare il aspiratore per piscina.

4. Sciacquare la calza filtrante con acqua pulita.
5. Pulire i detriti dal cappuccio e sciacquare la cono del filtro con acqua. Se è strettamente necessario spazzolare, usare solamente una spazzola morbida per pulire la cono del filtro delicatamente e con cura.

6. Invertire i passi precedenti per rimontare la calza filtrante / cono del filtro. Ruotare la cono del filtro in senso antiorario fino a quando la sua linguetta laterale non sia fissata all'interno della tacca di entrambi i lati come mostrato. Si sentirà un "click".



7. Allineare e rimontare il cappuccio all'aspiratore della piscina e assicurarsi che la leva sia sicura spingendola fino in fondo al cappuccio.



Manutenzione & stoccaggio

NOTE:

- 1) Assicurarsi di pulire e asciugare le piastre di contatto di ricarica dopo ogni utilizzo per evitare la formazione di macchie (sottoprodotto di una reazione chimica naturale tra corrente elettrica e acqua). Altrimenti, le macchie possono essere rimosse strofinando leggermente con un batuffolo di cotone imbevuto di succo di limone o aceto.
- 2) La Batteria si scarica da sè durante il periodo di stoccaggio. Accertarsi di portare la capacità della batteria del aspiratore per piscina tra il 30% e il 50% prima di conservarlo.
- 3) Si deve ricaricare la batteria almeno una volta ogni tre mesi quando non è in utilizzo.
 - Disconnettere l'adattatore esterno dalla presa di corrente e quindi riconnettere il jack dell'adattatore dalla base di ricarica..
 - Staccare gli accessori dall'aspiratore della piscina. Se necessario, risciacquare l'aspiratore della piscina e gli accessori con acqua fresca. Tassativo, **NON UTILIZZARE ALCUN DETERGENTE.**
 - Assicurarsi di drenare l'acqua dall'unità, dalla maniglia e dal polo di connessione.
 - Utilizzare un panno umido per pulire ed asciugare l'aspiratore della piscina ed i relativi accessori.
 - Provvedere ad uno stoccaggio in un'area ben ventilata ed al riparo dalla luce solare, dal calore, da materiale infiammabile e da prodotti chimici e fuori dalla portata dei bambini. La temperatura dell'ambiente di stoccaggio deve essere compresa tra i 10°C – 25°C. NB: una temperatura più elevata può ridurre il ciclo di vita della batteria durante lo stoccaggio stesso.

ATTENZIONE!

- Mai tentare in alcun modo di smontare il aspiratore per piscina.
- In nessun caso si deve tentare di smontare il aspiratore per piscina e rimontare in autonomia la girante, il motore e la batteria.

ATTENZIONE!

- Un calore eccessivo può danneggiare la batteria e ridurre la sua durata.
- Consultare il proprio rivenditore per la sostituzione della batteria se si verifica una delle seguenti condizioni:
 - La batteria appare danneggiata o non si ricarica completamente.
 - Il tempo di funzionamento della batteria è notevolmente ridotto. Osservare e registrare i tempi di funzionamento delle prime attività (a ricarica completa). Usare questi tempi come punto di riferimento per compararli con i tempi di funzionamento di batterie più vecchie.
- La batteria deve essere rimossa dall'aspiratore della piscina prima dello smaltimento/rottamazione.
- L'aspiratore della piscina deve essere disconnesso dalla rete di alimentazione prima di rimuovere la batteria.
- La batteria deve essere smaltita con cura ed in sicurezza, in accordo con le legislazioni ed i regolamenti locali vigenti.

NB: Una manutenzione non appropriata può ridurre il ciclo di vita della batteria ed intaccare le sue capacità.

SMALTIMENTO DELLA BATTERIA (Da eseguirsi solo da parte di un tecnico autorizzato)

L'aspiratore della piscina della batteria è una confezione contenente una batteria a LITIO-ION ricaricabile che non richiede manutenzione e che deve essere smaltita in maniera appropriata. Il riciclo è obbligatorio: si prega di contattare l'autorità locale in materia per informazioni in proposito.

ATTENZIONE! Mai tentare di smontare il kit batteria.

- Togliere tutti gli oggetti personali come ad esempio anelli, braccialetti, collane ed orologi quando il kit batteria è disconnesso dall'aspiratore della piscina.
- Una batteria può produrre un breve corto circuito sufficientemente forte da saldare un anello (od un oggetto simile) al metallo, provocando gravi ustioni.
- Indossare una protezione completa per gli occhi, guanti ed un abbigliamento di sicurezza appropriato durante la rimozione del kit batteria.
- Evitare di toccare tutti i cavi contemporaneamente ed evitare di consentire un contatto tra i cavi ed un oggetto di metallo poichè si possono provocare scintille o corto circuiti.
- Mai fumare o avvicinare fonti di scintille o fiamme in prossimità della batteria o dell'aspiratore della piscina.
- Non esporre la batteria al fuoco o ad alte fonti di calore poichè possono provocare un'esplosione.

ATTENZIONE!

Se una batteria presenta una perdita, evitare il contatto con i liquidi fuoriusciti e posizionare la batteria danneggiata in una borsa di plastica.

- Se i liquidi fuoriusciti vanno in contatto con pelle o vestiti, lavare immediatamente con sapone ed acqua abbondanti.
- Se i liquidi fuoriusciti vanno in contatto con occhi, sciacquare immediatamente gli occhi sotto acqua corrente fresca per almeno 15 minuti e non sfregarli assolutamente. Ricorrere ad un'appropriata assistenza medica il prima possibile.

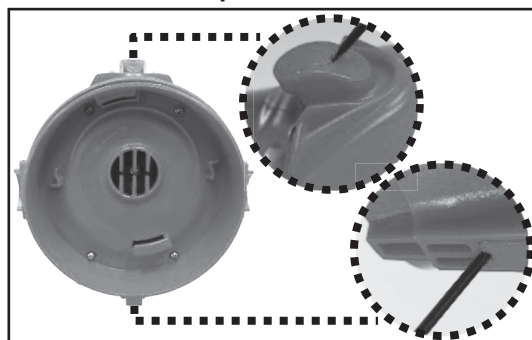
Come rimuovere il pack batteria solo per lo smaltimento della batteria

(Da eseguirsi solo da parte di un tecnico autorizzato)

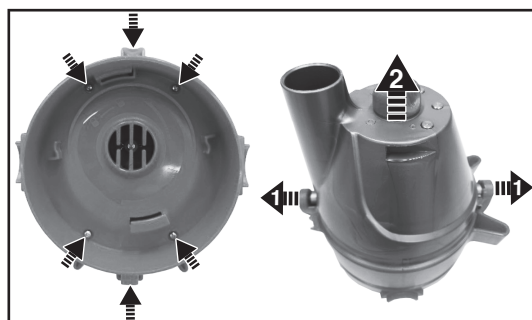
Strumenti consigliati (non inclusi): un cacciavite Philips.

1) Seguire le istruzioni per rilasciare il cestello trasparente e il cono del filtro.

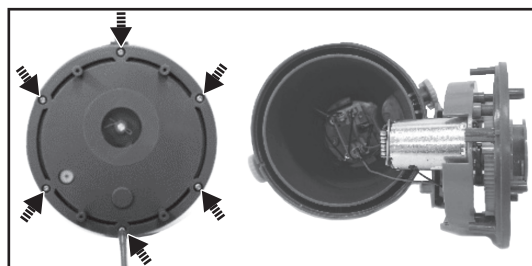
2) Utilizzare un piccolo cacciavite piatto per fare leva e rimuovere le coperture delle viti come indicato.



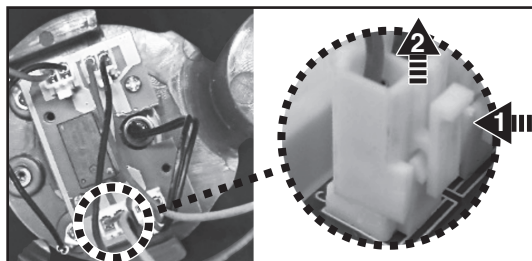
3) Svitare le 6 viti sulla piastra superiore e staccarla dal corpo posteriore per accedere al coperchio del corpo posteriore.



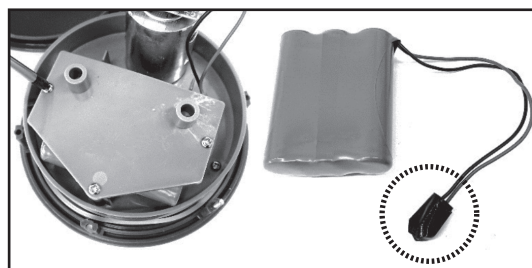
4) Allentare le 6 viti e staccare il coperchio per accedere alla scheda con i circuiti stampati, al gruppo motore e alla batteria.




5) Per scollegare il cavo di collegamento della batteria, premere il fermaglio sul connettore e quindi estrarlo.



6) Allentare le 3 viti per rimuovere il coperchio del vano batteria, quindi rimuovere il pacco batteria. **NOTA:** avvolgere immediatamente il connettore con nastro isolante per evitare cortocircuiti causati dal contatto di entrambi i terminali del filo.



RISOLUZIONE DEI PROBLEMI

Problema	Causa possibile	Soluzione
L'aspiratore per piscine non assorbe i detriti	La batteria è scarica	Ricaricare la batteria.
	La girante è intasata	Spegnere l'aspiratore per piscine e osservare lo spazio nella parte centrale dell'apparecchio per controllare se la girante è ostruita da detriti più grossi. Se possibile, togliere con la massima attenzione i detriti con un utensile. Se necessario, rivolgersi al rivenditore per ulteriori informazioni. ATTENZIONE! Accertarsi che l'aspiratore per piscine sia spento quando viene effettuata la manutenzione.
	La girante è danneggiata	Per la sostituzione della girante, rivolgersi al rivenditore.
	Il filtro è pieno	Pulire il filtro, se possibile.
	Detriti più grossi o in notevole quantità	Rimuovere la testa di aspirazione rotante (l'operazione è sconsigliata per le piscine in vinile & fibra di vetro, in quanto potrebbe graffiare le superfici).
I detriti fuoriescono dal filtro	L'aletta del becco di aspirazione è danneggiata	L'aletta del becco di aspirazione funge da barriera che impedisce la fuoriuscita dei detriti dal filtro. Per le istruzioni e i ricambi, rivolgersi al rivenditore.
	La maglia del filtro è danneggiata	Sostituire il cono del filtro.
	La valvola di scarico si stacca	Senza la valvola di scarico, l'aspiratore per piscine potrebbe catturare detriti attraverso questa apertura. Per la sostituzione della valvola, rivolgersi al rivenditore.
Non è possibile fissare il raccordo dell'asta	Il perno laterale è danneggiato	Sostituire il raccordo dell'asta.
Non è possibile caricare o ricaricare l'aspiratore per piscine	La batteria è danneggiata	Per la sostituzione della batteria, rivolgersi al rivenditore. ATTENZIONE! L'apertura dell'aspiratore per piscine per la sostituzione della batteria NON deve mai essere effettuata dall'utente, in quanto potrebbe provocare lesioni gravi o fatali e l'annullamento della garanzia.
	Le piastre della base di ricarica non entrano a contatto con l'unità	Accertarsi che la base di ricarica sia montata correttamente in modo che le piastre entrino a contatto con l'unità. Rivolgersi al rivenditore per la sostituzione. ATTENZIONE! Se si adopera un adattatore esterno errato, l'aspiratore per piscine e la batteria potrebbero danneggiarsi annullando la garanzia.
L'aspirazione della piscina è attivata anche se l'interruttore indica che è spento	La presenza di oggetti magnetici nelle vicinanze ha inavvertitamente acceso il motore	Allontanare gli oggetti magnetici o aspirare l'uno dall'altro.
Il tempo di funzionamento è più breve come previsto	La batteria è non completamente carica	Caricare l'aspirapolvere per piscina per almeno 6 ore. NOTA: se vengono rilevate macchie sulle piastre di contatto di ricarica, rimuoverli utilizzando un batuffolo di cotone imbevuto di succo di limone o aceto.
Programma Ambientale, Direttiva Europea WEEE		
	Rispettare le normative dell'Unione Europea e aiutare a proteggere l'ambiente. Le attrezzature elettriche non rilavorate devono essere smaltite presso un impianto indicato dal Comune di competenza che si occupi di riciclare appropriatamente attrezzature elettriche ed elettroniche. Non gettare via tali attrezzature in cassonetti per rifiuti indifferenziati. Per articoli contenenti batterie removibili, rimuovere le batterie prima di gettare via il prodotto.	
	Tutti i diritti sono riservati. Nessuna parte di questo documento può essere riprodotta o trasmessa in alcuna forma o tramite alcun mezzo, elettronico, meccanico, fotocopia, registrazione o altro, salvo previa autorizzazione della Kokido Development Ltd. (L-23010013)	

Se è richiesta una copia digitale del presente manuale, prego contattare il centro di assistenza via email: customerservice@kokido.com

CONSERVARE LE PRESENTI ISTRUZIONI


Bemerkte: Abhängig von Ihrem Modell sind die in diesem Handbuch gezeigten Zubehörteile/Teile nicht unbedingt in jedem Modell enthalten. Produkt/Teile auf Fotos/Zeichnungen können je nach gekauftem Modell variieren. Sehen Sie sich die Ersatzteilzeichnung an, um zu verstehen, welche Teile in Ihrem gekauften Modell enthalten sind.

SICHERHEITSWARNUNGEN UND -HINWEISE

Die in dieser Bedienungsanleitung enthaltenen Informationen helfen Ihnen, das Gerät sicher zu bedienen, sich und andere vor Gefahren zu schützen und Schäden am Gerät und anderem Eigentum zu vermeiden.

BEDIENUNGSANLEITUNG GUT AUFBEWAHREN

WARNUNG!

- Dies ist kein SPIELZEUG. Dieser Poolsauger und dessen Zubehörteile sind von Kindern fernzuhalten.
- Erlauben Sie den Kindern niemals die Bedienung des Poolsaugers.
- Dieses Gerät ist nicht für die Verwendung durch Personen mit eingeschränkten physischen, sensorischen oder geistigen Fähigkeiten oder fehlender Erfahrung und mangelndem Wissen bestimmt, es sei denn, sie wurden von einer für ihre Sicherheit verantwortlichen Person beaufsichtigt oder in die sichere Verwendung des Geräts eingewiesen und verstehen die vorhandenen Gefahren.
- Kinder dürfen nicht mit diesem Produkt spielen.
- Die Reinigung und Wartung des Poolsauger darf nicht von Kindern durchgeführt werden.
- Vergewissern Sie sich, dass der Poolsauger vollständig in den Pool eingetaucht ist, bevor Sie mit dem Betrieb beginnen. Der Mindestwasserstand, der zum Betrieb des Poolsaugers erforderlich ist, muss über den EIN/AUS-Schalter des Beckensaugers liegen, wenn dieser in vertikaler Position gehalten wird. Der Betrieb des Poolsaugers bei nicht ordnungsgemäßem Eintauchen könnte das Gerät beschädigen und zum Erlöschen der Garantie führen.
- Die maximale Betriebstiefe im Wasser beträgt 3 Meter (9.8 ft).
- Maximale Wassertemperatur: 5°C (41°F) – 42°C (107.6°F)
-  Abnehmbares Ladegerät (externer Adapter).
- Der Poolsauger sollte nur mit dem externen Adapter und dem mit diesem Produkt gelieferten Ladestation aufgeladen werden.
- Verwenden Sie zum Aufladen der Batterie nur die abnehmbare Stromversorgung, die mit diesem Pool-Sauger geliefert wird.
- Verbinden Sie den externen Netzadapter über eine Fehlerstrom - Schutzvorrichtung, (RCD) / einen Fehlerstrom - Schutzschalter (RCCB) mit dem Netz. Ziehen Sie in Zweifelsfällen einen qualifizierten Elektriker zu Rate.
- Verwenden Sie diesen Poolsauger nicht, wenn irgendwelche Schäden festgestellt werden.
- Ersetzen Sie beschädigte Teile durch solche, die vom Händler oder Hersteller zertifiziert sind.
- Schalten Sie den Strom aus, trennen Sie den externen Adapter von der

Stromquelle und ziehen Sie den externen Adapter vom Ladestation ab, bevor Sie den Poolsauger vom Ladestation ziehen.

- Schalten Sie den Poolsauger vom Versorgungsnetz ab und vergewissern Sie sich, dass der Poolsauger AUS ist, bevor Sie regelmäßige Wartungsarbeiten durchführen - wie z.B. die Reinigung des Filters und der Ladekontaktplatten.
- Versuchen Sie nicht, den eingebauten wiederaufladbaren Li-Ionen-Akku zu ersetzen.
- Fassen Sie den Poolsauger, den externen Adapter und den Ladestation NICHT mit nassen Gliedmaßen und ohne Schuhe an, während er geladen wird.
- Stellen Sie sicher, dass Kinder während des Betriebs nicht versuchen, auf den Poolstaubsauger zuzugreifen.
- Diesen Poolsauger KEINESFALLS ohne intakten eingesetzten Filterkonus verwenden, da ansonsten die Garantie erlischt.
- Quetschgefahr durch Ansaugen: Dieser Poolsauger erzeugt Saugkraft. Vermeiden Sie, dass während des Betriebs des Poolsaugers Haare, Körperteile oder sonstige lose Kleidungsstücke in die Nähe der Saugöffnung gelangen.
- Führen Sie unter keinen Umständen Körperteile, Kleidungsstücke oder sonstige Gegenstände in die Öffnungen und beweglichen Teile des Poolsaugers ein.
- Verwenden Sie diesen Poolsauger NICHT, um toxische Substanzen, entzündliche und brennbare Flüssigkeiten (z. B. Benzin) in Gegenwart von explosiven oder entflammaren Dämpfen aufzunehmen.
- Sie sollten unter keinen Umständen versuchen, den Poolsauger auseinanderzubauen und das Flügelrad, den Motor oder die Batterie eigenhändig auszutauschen.
- Führen Sie niemals Körperteile oder andere Gegenstände in das Laufrad ein, um das Laufrad zu berühren.
- Die eingebaute Batterie muss von einem Fachmann entfernt werden, bevor sie verschrottet wird.
- Dieses mit Poolsauger arbeitende Gerät enthält einen Akku, der nur von Fachpersonal entfernt werden darf.
- Bevor der Akku entfernt wird, muss das Poolsauger von der Stromversorgung getrennt werden.
- Einzelheiten zum Recycling bzw. zur Entsorgung des Akkus finden Sie im Abschnitt „ENTSORGUNG DES AKKUS“ in dieser Anleitung und wenden Sie sich für weitere Informationen an Ihre örtlichen Behörden.
- Der Akku muss im Einklang mit den im Verwendungsland geltenden Vorschriften entsorgt werden.
- Externes Ladegerät und Ladestation:
 - Verwenden Sie nie das externe Ladegerät und die Ladestation für einen anderen Zweck als das Aufladen der Batterie des im selben Pack gelieferten Poolsaugers.
 - Der externe Netzadapter und der Ladestation dürfen weder im Freien benutzt werden und dürfen weder Regen, Feuchtigkeit, Flüssigkeiten noch Hitze ausgesetzt werden.

- Der Transformator (bzw. der externe Adapter) muss außerhalb von Zone 1 aufgestellt werden.
- Halten Sie das externe Ladegerät und die Ladestation von Kindern fern.
- Verwenden Sie niemals das externe Ladegerät und die Ladestation, sollten Sie Schäden festgestellt haben.
- Handhaben Sie das externe Ladegerät und die Ladestation NICHT mit nassen Händen.
- Handhaben Sie den Poolsauger, den externen Stecker und die Ladestation während des Ladevorgangs NICHT mit nassen Händen und Barfuß.
- Trennen Sie das externe Ladegerät von der Stromversorgung, wenn es nicht verwendet wird.
- Versuchen Sie keinesfalls, das externe Ladegerät und die Ladestation zu öffnen.
- Wenn das Netzkabel des externen Adapters beschädigt ist, muss der externe Adapter durch den Hersteller oder seinen Kundendienstvertreter ersetzt werden, um Gefahren jeglicher Art zu vermeiden.
- Vergewissern Sie sich, dass Poolsauger und Ladestation vor dem Aufladen völlig trocken sind.

ACHTUNG!

- Dieser Poolsauger ist ausschließlich für den Unterwassergebrauch konzipiert. Es ist kein Allzweck-Staubsauger. Versuchen Sie NICHT, dieses Gerät zum Reinigen von etwas Anderem als Ihren Pool zu verwenden.
- Verwenden Sie ausschließlich das mit diesem Produkt gelieferte Originalzubehör.
- Verwenden Sie diesen Poolsauger NICHT unmittelbar nach einer Wasserbehandlung. Es wird empfohlen, das Poolwasser mindestens 24-48 Stunden umzuwälzen.
- Bei einem Salzwasserpool müssen Sie sich vergewissern, dass das Salz komplett gelöst ist, bevor Sie den Poolsauger ins Wasser setzen.
- Verwenden Sie diesen Poolsauger NICHT gleichzeitig mit einem anderen automatischen/manuellen Reinigungsgesetzgerät im Becken.
- Vermeiden Sie es, mit diesem Produkt harte, scharfe Gegenstände aufzusaugen. Sie können den Poolsauger und den Filter beschädigen.
- Lassen Sie bei der Reinigung von Pooltreppen Vorsicht walten.
- Um Beschädigungen des externen Adapters und der Ladestation zu vermeiden, versuchen Sie nicht, den Poolsauger am Kabel des externen Adapters/ Ladestation zu tragen oder am Kabel zu ziehen, um ihn von der Stromquelle und der Ladestation zu trennen.
- Laden Sie den Poolsauger im Inneren in einem sauberen, trockenen und gut belüfteten Bereich bei einer Umgebungstemperatur zwischen 5 °C (41 °F) und 35 °C (95 °F) auf.
- Der Poolsauger DARF NICHT länger als 10 Stunden ununterbrochen aufgeladen werden.
- Ist über einen längeren Zeitraum keine Verwendung des Poolsaugers vorgesehen, nehmen Sie ihn aus der Ladestation und reinigen und trocknen Sie den Poolsauger und das Zubehör mit einem trockenen Tuch. Achten Sie darauf, den Poolsauger auf 30 - 50 % Akkukapazität aufzuladen, bevor er weggelegt wird. Lagern Sie das Gerät an einem gut belüfteten, vor Sonnenlicht, Hitze, Zündquellen, Poolchemikalien und Kindern geschützten Ort. Lassen Sie den Poolsauger während einer Lagerung über einen längeren Zeitraum niemals angeschlossen. Laden Sie den Poolsauger alle drei Monate wieder auf.

Oben aufgeführte Warnungen und Vorsichtsmaßnahmen umfassen nicht alle möglichen Risiken und/oder schweren Verletzungsgefahren. Pool/Spa-Eigentümer sollten bei der Verwendung des Produkts stets zusätzliche Vorsicht und gesunden Menschenverstand walten lassen.

ERSTE SCHRITTE

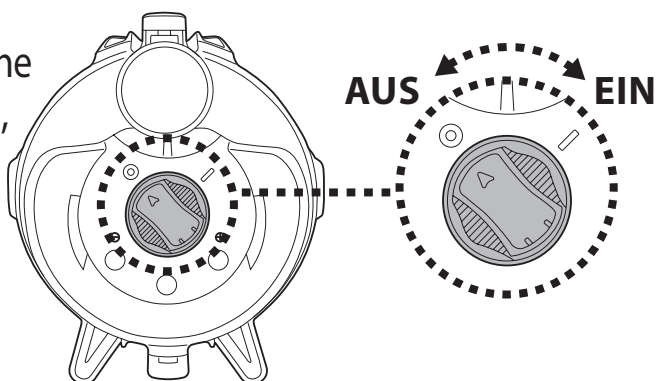
Laden der Batterie

WICHTIGER HINWEIS: Laden Sie den Poolsauger 6 Stunden auf, bevor Sie ihn zum ersten Mal benutzen.

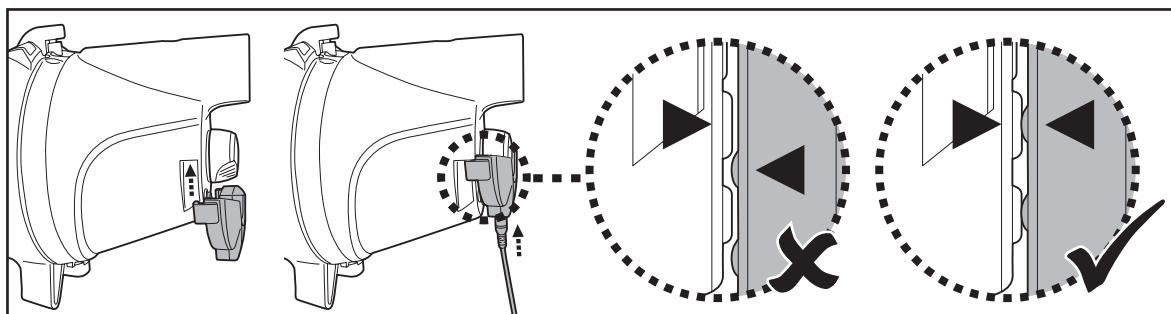
WARNUNG!

- Verwenden Sie nur den mitgelieferten Original-Netzadapter und den mitgelieferten Ladestation
- Vergewissern Sie sich, dass der Poolsauger und die Ladekontaktplatten sauber und trocken sind, bevor Sie das Gerät einrichten und aufladen. (TIPP: Benutzen Sie ein Wattestäbchen, um die Ladekontaktplatten zu trocknen)
- Das Aufladen hat im Inneren in einem gut belüfteten, vor Sonnenlicht, Kindern, Hitze und Zündquellen geschützten Raum bei einer Umgebungstemperatur zwischen 5 °C (41 °F) und 35 °C (95 °F) zu erfolgen.
- Verwenden Sie niemals das externe Ladegerät und die Ladestation, sollten Sie Schäden festgestellt haben.
- Die Ladekontaktplatten sind wasserdicht. Wasserreste auf den Kontaktplatten könnten jedoch zum natürlichen Auftreten von Flecken führen (ein Nebeneffekt der chemischen Reaktion zwischen Wasser und elektrischem Strom). Die Flecken können ansonsten durch leichtes Schrubben mit einem mit Zitronensaft oder Essig getränkten Wattestäbchen entfernt werden.
- Stellen Sie sicher, dass der Poolsauger ausgeschaltet ist, bevor Sie einen Ladevorgang beginnen.

1. Stellen Sie das Gerät auf eine flache Oberfläche. Vergewissern Sie sich, dass der Poolsauger ausgeschaltet ist, indem Sie den EIN-/AUS-Schalter vor dem Aufladen in die Position "EIN" schalten.



2. Richten Sie den Haken der Ladestation mit der seitlichen Nut am Boden des rückseitigen Gehäuses aus und führen Sie ihn bis zum Anschlag ein. Stellen Sie sicher, dass die Kontaktplatten einen guten Kontakt herstellen. Stecken Sie die Buchse des externen Ladegeräts in den Ladestecker am Ende der Ladestation ein.



3. Verbinden Sie das externe Ladegerät mit der Stromversorgung. Nachdem der Poolsauger mit der Aufladung begonnen hat, leuchtet die Leuchtanzeige am externen Ladegerät rot. Normalerweise dauert ein vollständiger Ladevorgang 5-6 Stunden. Die Leuchtanzeige leuchtet grün, sobald der Poolsauger fast vollständig aufgeladen ist.

HINWEIS: Falls der Motor Geräusche erzeugt, vergewissern Sie sich, dass am Ein-/Ausschalter "AUS" gewählt ist.

- Sollten Sie eine der folgenden Störungen bemerken, trennen Sie den externen Netzadapter sofort von der Stromversorgung:
 - Starker oder ungewöhnlicher Geruch
 - Übermäßige Wärmeentwicklung
 - Verformung, Risse, Auslaufen
 - Rauch

4. Wenn der Ladevorgang abgeschlossen ist, trennen Sie den externen Adapter von der Stromquelle und ziehen Sie den Ladestation aus dem Gerät und dem externen Adapter.

Normalerweise kann der Poolsauger bei voller Ladung bis zu 40 Minuten (für Modell EV56) / 90 Minuten (für Modell EV57) betrieben werden (geladen für 5-6 Stunden).

Hinweis: Reinigen Sie regelmäßig den Filter. Ein übermäßig verschmutzter Filter führt zu einer höheren Beanspruchung des Motors und verkürzt folglich die Betriebsdauer.

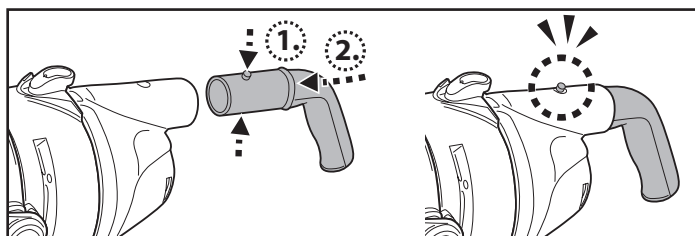
FAKTUM: Die wiederaufladbare Li-Ion-Batterie ist als ein Verbrauchsartikel eingestuft. Es hat eine begrenzte Lebensdauer und verliert allmählich seine Fähigkeit, Energie zu speichern. Daher wird die Betriebsdauer des Poolsaugers nach wiederholten Lade- und Entladevorgängen während des Betriebs allmählich abnehmen.

Wenn die Lebensdauer des Akkus erschöpft ist, befolgen Sie die Anweisungen im Abschnitt „ENTSORGUNG DES AKKUS“, um den Akku zu entsorgen.

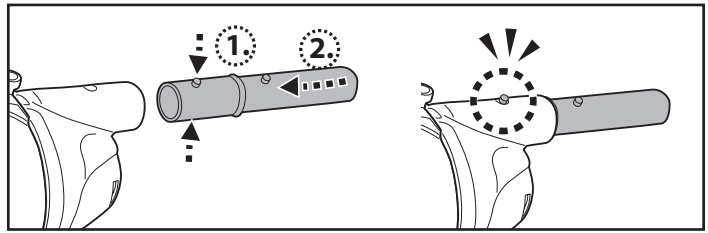
HINWEIS: Lassen Sie den Poolsauger 30-40 Minuten abkühlen, bevor Sie ihn wieder aufladen.

Vorbereitung vor der Benutzung

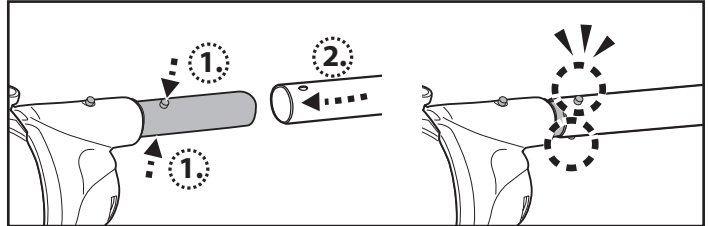
Montage Griff



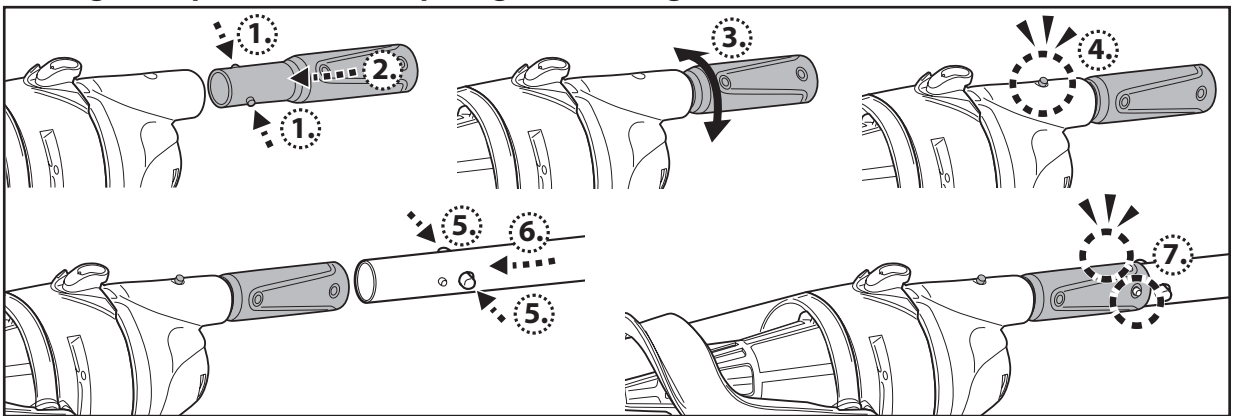
Montage eines Pol-Steckers



Montage der Teleskopstange (nicht inbegriffen) (nur für USA / EU-Länder)



Montage der Spezifische Teleskopstange (nicht inbegriffen) (nur für Australien/Neuseeland)

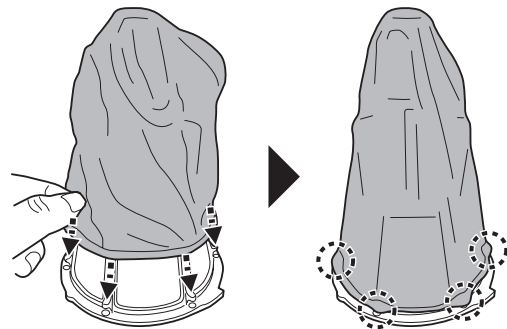


Montage des filterschlauchs

(Hinweis: Der Filterschlauch ist nicht bei jedem Modell im Lieferumfang enthalten.)

- **Hinweis:** Ein Filterstrumpf wird zum Filtern von Feinpartikeln mitgeliefert

Platzieren Sie den Filterstrumpf auf den Konus und spannen Sie ihn. Haken Sie den Filterrand an den Verriegelungsknöpfen entlang des Filterkonus ein.



Vorbereitung des Beckens

- Steine, Gras oder Pflanzen oder Rost vor Verwendung des Poolsaugers vom Beckenboden entfernen. Ziehen Sie in Zweifelsfällen Fachpersonal zu Rate.
- Beschädigte, verschlissene oder rissige Beckenböden vor Verwendung des Poolsaugers durch Fachpersonal instandsetzen oder auswechseln lassen.
- Bei einem Salzwasserpool müssen Sie sich vergewissern, dass das Salz komplett gelöst ist, bevor Sie den Poolsaugers ins Wasser setzen.

BETRIEB

WARNUNG!

- Vergewissern Sie sich, dass das Poolsauger ausgeschaltet ist.
- Verwenden Sie den Poolsauger nicht, wenn irgendwelche Schäden festgestellt werden.
- Durch auf den O-Ring aufgetragenes Schmierfett können Ölflecken auftreten.
- Stellen Sie sicher, dass der Poolsauger vollständig in das Wasser eingetaucht ist, bevor Sie ihn in Betrieb setzen. Der Mindestwasserstand, der für den Betrieb des Poolsaugers erforderlich ist, muss über dem Ein-/Aus-Schalter des Poolsaugers liegen, wenn dieser in vertikaler Position gehalten wird. Der Betrieb des Poolsaugers, ohne korrekt in das Wasser eingetaucht zu sein, kann zu Schäden und zum Erlöschen der Garantie führen.
- Den Poolsauger NICHT ohne eingebautes intaktes Filterkonus verwenden. Die Verwendung des Poolsaugers ohne eingebautes intaktes Filterkonus führt zum Erlöschen der Garantie.
- Decken Sie NICHT die seitliche Öffnung des Saugerkörpers während des Betriebs ab. Sonst kann das Flügelrad bzw. der Motor beschädigt werden.
- Lassen Sie den Poolsauger nicht im Wasser eingetaucht, wenn er nicht verwendet wird.
- Stellen Sie sicher, dass der Ladestation abgezogen bevor der Poolsauger eingesetzt wird.

- 1) Bringen Sie den Poolsauger an den Rand Ihres Pools/Spa. Tauchen Sie den Poolsauger in Wasser ein und schalten Sie den EIN/AUS-Schalter auf die Position "EIN", um den Betrieb einzuleiten.

ACHTUNG! Achten Sie darauf, dass der Poolsauger stets nach unten zeigt, wenn er in den Pool gesetzt wird. Sonst kann die Stangenkupplung verbogen und während des Vorgangs beschädigt werden.

- 2) Um den Poolsauger aus dem Pool herauszunehmen, heben Sie den Poolsauger nach unten zeigend an, damit das Wasser aus dem Entwässerungsventil austreten kann. Das Wasser tritt über den Griff bzw. die Stangenkupplung und den Entwässerungslöchern im Inneren der Griffkammer am rückseitigen Gehäuse aus.

ACHTUNG! Achten Sie darauf, dass der Poolsauger stets nach unten zeigt, wenn aus dem Pool herausgezogen wird. Andernfalls kann die Stangenkupplung verbogen und der Poolsauger beim Vorgang beschädigt werden.

- 3) Spülen Sie den Poolsauger nach jeder Verwendung mit frischem Wasser. Verwenden Sie KEINESFALLS Reinigungsmittel.

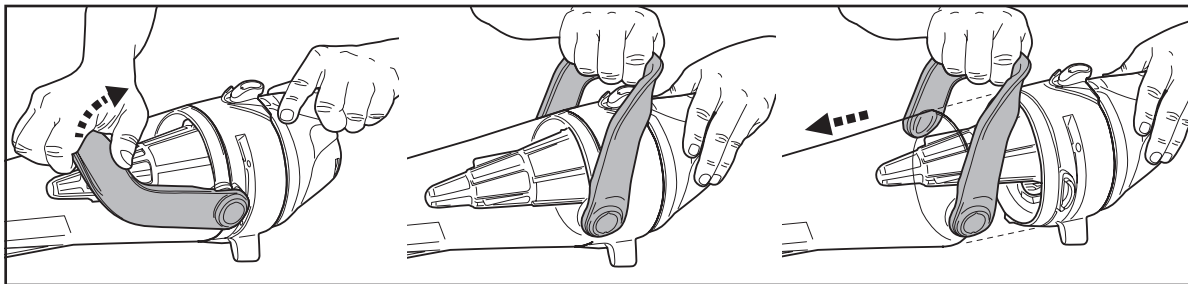
Entleeren des Filters / reinigen des Filterschlauch

WARNUNG! Die Verwendung des Poolsaugers ohne eingebautes intaktes Filterkonus führt zum Erlöschen der Garantie.

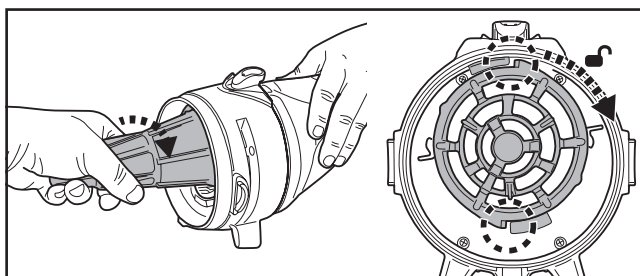
Um die Reinigungseffizienz zu maximieren, reinigen Sie das Filterschlauch/Filterkonus vor und nach jeder Verwendung.

ACHTUNG! Wenn der Poolsauger aufgeladen wird, trennen Sie das externe Ladegerät von der Stromversorgung und ziehen Sie die Buchse aus der Ladestation. Vergewissern Sie sich, dass das Poolsauger ausgeschaltet ist.

- 1) Legen Sie den Poolsauger auf einer stabilen Oberfläche ab.
- 2) Halten Sie den Poolsauger und hebeln Sie den Behälterhebel bis zum Ende auf, um die seitlichen Verriegelungen vollständig zu lösen.



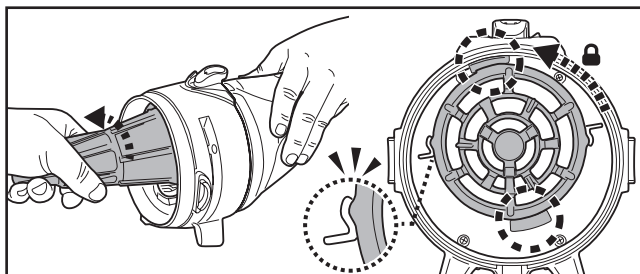
- 3) Entfernen Sie den Behälter und lösen Sie die Schläuche vorsichtig vom Filterkonus. Nehmen Sie den Schlauch ab und drehen Sie den Filterkonus im Uhrzeigersinn, bis er stoppt. Nehmen Sie den Filterkonus aus dem Reiniger heraus.



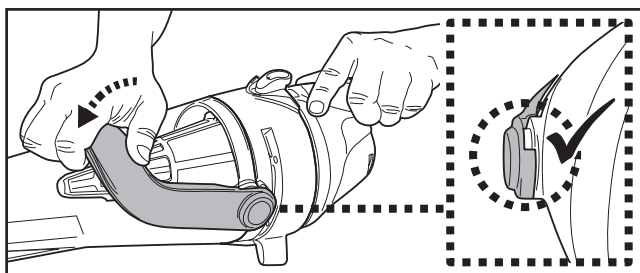
ACHTUNG! Ersetzen Sie den bischofite Filterschlauch / Filterkäfing sofort vor dem nächsten Einsatz.

- 4) Spülen Sie den Filterschlauch mit sauberem Wasser aus.
- 5) Reinigen Sie die Abdeckung von Verunreinigungen und spülen Sie den Filterkonus mit Wasser aus. Sollte es erforderlich sein, den Filterkonus zu bürsten, benutzen Sie ausschließlich eine weiche Bürste und reinigen Sie den ihn mit Vorsicht und sanft.

- 6) Führen Sie die vorherigen Schritte in umgekehrter Reihenfolge aus, um den Filterschlauch/ Filterkonus wieder zu montieren. Drehen Sie den Filterkonus im gegen den Uhrzeigersinn, bis seine seitliche Lasche wie abgebildet in der Kerbe beider Seiten befestigt ist. Sie werden ein „Klick“-Geräusch hören.



- 7) Richten Sie die Abdeckung am Poolsauger aus und montieren Sie sie wieder. Vergewissern Sie sich, dass der Hebel fest sitzt, indem Sie ihn bis zur Abdeckung herunterdrücken.



Instandhaltung und Lagerung

HINWEIS:

- 1) Achten Sie darauf, die Ladekontaktplatten nach jedem Gebrauch zu reinigen und zu trocknen, um die Bildung von Flecken (Nebeneffekt einer natürlichen chemischen Reaktion zwischen elektrischem Strom und Wasser) zu vermeiden. Die Flecken können ansonsten durch leichtes Schrubben mit einem mit Zitronen- oder Essigsaft getränkten Wattestäbchen entfernt werden.
- 2) Achten Sie darauf, den Poolsauger auf 30 - 50 % Akkukapazität aufzuladen, bevor er weggelegt wird.
- 3) Sie müssen die Batterie mindestens alle drei Monate neu aufladen, wenn das Gerät nicht verwendet wird.
 - Ziehen Sie den externen Stecker aus der Buchse heraus und ziehen Sie die Buchse des Ladegeräts aus der Ladestation heraus.
 - Entfernen Sie das Zubehör vom Poolsauger. Sofern erforderlich, spülen Sie den Poolsauger und das Zubehör mit frischem Wasser. Verwenden Sie KEINESFALLS Reinigungsmittel.
 - Stellen Sie sicher, dass das Wasser aus dem Gerät, dem Griff und der Stangenkupplung ausläuft.
 - Reinigen und trocknen Sie den Poolsauger und sein Zubehör mit einem feuchten Tuch.
 - Lagern Sie alle in einem gut belüfteten, vor Sonnenlicht, Kindern, Hitze, Zündquellen und Poolchemikalien geschützten Ort. Die Umgebungstemperatur sollte 10 °C – 25 °C (50 °F – 77 °F) betragen. HINWEIS: Bei einer höheren Lagertemperatur kann die Batterielebensdauer beeinträchtigt werden.

WARNUNG!

- Versuchen Sie unter keinen Umständen, den Poolsauger auseinanderzubauen.
- Sie sollten unter keinen Umständen versuchen, den Poolsauger auseinanderzubauen und das Flügelrad, den Motor oder die Batterie eigenhändig auszutauschen.

ACHTUNG!

- Übermäßige Hitze kann die Batterie beschädigen und deren Lebensdauer reduzieren.
- Wenden Sie sich an den Händler, um den Akku auszutauschen, wenn Sie Folgendes feststellen:
 - Akku erscheint beschädigt oder lädt nicht vollständig auf.
 - Die Betriebsdauer mit einer Batterieladung ist wesentlich verkürzt. Beobachten und notieren Sie die Betriebsdauer, wenn das Gerät die ersten Male benutzt wird (nach vollständigem Aufladen). Verwenden Sie diese Aufzeichnungen als Referenz zum Vergleich der Betriebsdauer bei älteren Akkus.
- Die Batterie muss vor Entsorgung des Poolsaugers ausgebaut werden.
- Der Poolsauger ist von der Stromversorgung zu trennen, wenn die Batterie ausgebaut wird.
- Die Batterie ist sicher und gemäß den lokalen Vorschriften oder Regelungen zu entsorgen.

HINWEIS: Unsachgemäße Instandhaltung kann zu einer Reduzierung der Lebensdauer der Batterie führen und deren Kapazität beeinträchtigen.

ENTSORGUNG DES AKKUS (von einem autorisierten Techniker durchzuführen)

Die Batterie Ihres Poolsaugers ist ein wartungsfreies, wiederaufladbares Lithium-Ion-Batteriepack, das ordnungsgemäß zu entsorgen ist. Wenden Sie sich hinsichtlich Informationen bezüglich der Entsorgung an ihre lokale Behörde.

WARNUNG! Versuchen Sie nicht, das Batteriepack auseinanderzubauen.

- Legen Sie alle persönlichen Gegenstände wie Ringe, Armreife, Halsketten und Uhren ab, wenn das Batteriepack vom Poolsauger abgeklemmt wird.
- Ein Batteriepack kann einen Kurzschluss mit einer Stromstärke erzeugen, die ausreicht, um einen Ring mit Metall zu verschweißen und dabei schwere Verletzungen zu verursachen.
- Tragen Sie beim Entfernen des Batteriepacks einen geschlossenen Augenschutz, Handschuhe und Schutzkleidung.
- Vermeiden Sie es, alle Kabel gleichzeitig zu berühren und vermeiden Sie den Kontakt der Kabel mit metallischen Gegenständen, da dies zu Funkenbildung und/oder zum Kurzschluss der Batterie führen könnte.
- Rauchen Sie keinesfalls und vermeiden Sie Funken oder Flammen in der Nähe der Batterie oder des Poolsaugers.
- Setzen sie die Batterie nicht dem Feuer oder intensiver Hitze aus, da dies eine Explosion verursachen könnte.

ACHTUNG!

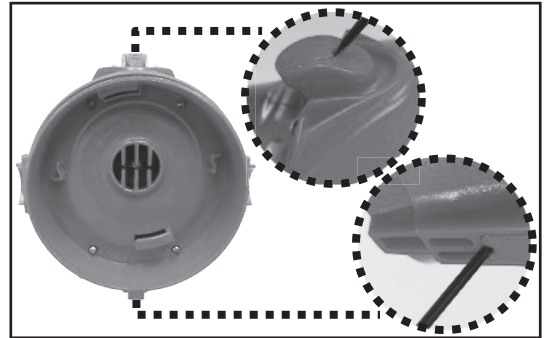
Vermeiden Sie bei einer Undichtigkeit der Batterie den Kontakt mit der austretenden Flüssigkeit und verstauen Sie die Batterie in einem Plastikbeutel.

- Sollte die austretende Flüssigkeit mit der Haut und der Kleidung in Berührung kommen, waschen Sie Haut und Kleidung sofort mit reichlich Seife und Wasser.
- Sollte die austretende Flüssigkeit in die Augen gelangen, spülen Sie die Augen sofort mindestens 15 Minuten mit kaltem fließendem Wasser und reiben Sie sie nicht. Suchen Sie schnellstmöglich ärztliche Hilfe auf.

Entfernen den Akku nur zu dessen Entsorgung (von einem autorisierten Techniker durchzuführen)

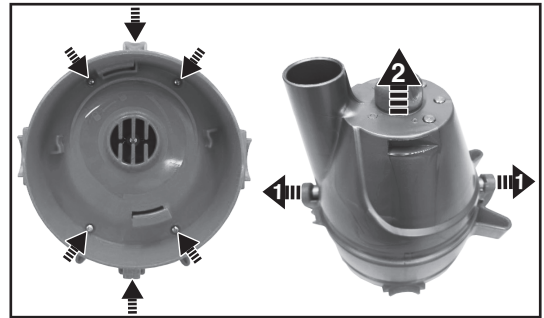
Empfohlenes Werkzeug (nicht inbegriffen): Phillips-Schraubendreher.

1) Folgen Sie den Anweisungen, um den Behälter und den Filterkonus zu lösen.

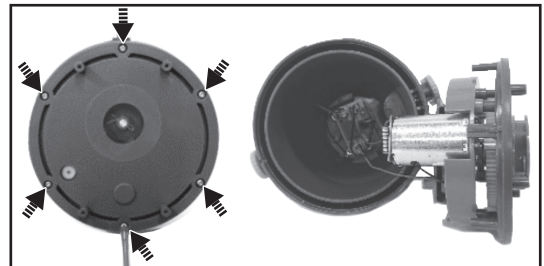


2) Verwenden Sie einen kleinen flachen Schraubendreher, um die Schraubenabdeckungen wie gezeigt herauszupröckeln und zu entfernen.

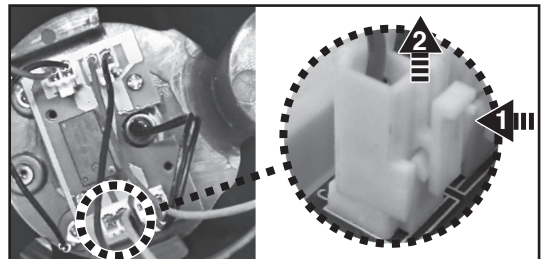
3) Verwenden Sie den Schraubendreher zum Herausschrauben der 6 Schrauben an der oberen Platte und lösen Sie sie dann vom rückseitigen Gehäuse, um die Abdeckung des rückseitigen Gehäuses freizulegen.



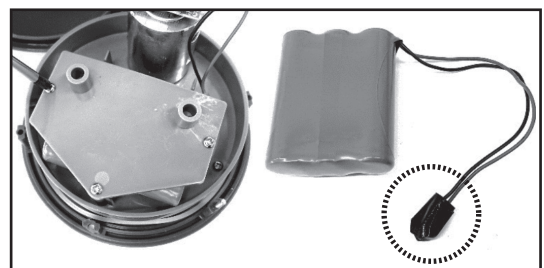
4) Lösen Sie 6 Schrauben und entfernen Sie die Abdeckung, um die bestückte Leiterplatte, den Motor und das Batteriepack freizulegen.





5) Um den Batterieanschlussdraht zu lösen, drücken Sie den Clip am Stecker und ziehen Sie ihn dann heraus.



6) Lösen Sie die 3 Schrauben, um den Batteriefachdeckel zu entfernen, und nehmen Sie dann den Batteriepack heraus. **HINWEIS:** Umwickeln Sie den Stecker sofort mit Isolierband, um einen Kurzschluss durch den Kontakt der beiden Drahtklemmen zu vermeiden.



FEHLERBEHEBUNG

Störung	Mögliche Ursache	Lösung
Poolsauger saugt keinen Schmutz auf	Batterie ist entladen	Laden Sie der Batterie wieder auf.
	Flügelrad klemmt	Schalten Sie den Poolsauger ab und sichten Sie den Spalt in der Mitte des Poolsaugers, ob das Flügelrad durch größere Fremdkörper blockiert wird. Entfernen Sie nach Möglichkeit den Fremdkörper äußerst vorsichtig mit einem kleinen Werkzeug. Sofern erforderlich, wenden Sie sich für weitere Anweisungen an Ihren Händler. WARNUNG! Stellen Sie sicher, dass der Poolsauger abgeschaltet ist, wenn er gewartet wird.
	Flügelrad gebrochen	Wenden Sie sich zwecks Austauschs des Flügelrads an Ihren Händler.
	Der Filter ist voll	Reinigen Sie gegebenenfalls den Filter.
	Größere Fremdkörper, große Schmutzmengen	Entfernen Sie den Saugkopf (nicht für Pool aus Vinyl und Glasfaser, da die Pool-Oberfläche zerkratzt werden könnte).
Schmutz tritt aus dem Filter aus	Saugdüsenklappe ist gebrochen	Die Saugdüsenklappe funktioniert als eine Absperrung, um den Austritt von Schmutz aus dem Filter zu verhindern. Wenden Sie sich für Ersatzteile und Anweisungen an Ihren Händler.
	Das Filtersieb ist beschädigt	Ersetzen Sie es durch einen neuen Filterkonus.
	Das Ablassventil schließt nicht	Ohne funktionierendes Ablassventil könnte der Poolsauger Schmutz über dessen Öffnung aufsaugen. Wenden Sie sich zwecks Austausch des Ventils an Ihren Händler.
Stangenkupplung kann nicht befestigt werden	Seitlicher Stift ist gebrochen	Ersetzen Sie den Stangenkupplung durch eine/n neuen.
Der Poolsauger kann nicht geladen / wieder aufgeladen werden	Batterie ist beschädigt	Wenden Sie sich zwecks Austausch der Batterie an Ihren Händler. WARNUNG! Öffnen Sie NICHT den Poolsauger und tauschen Sie die Batterie NICHT eigenhändig aus. Dies könnte zu schweren oder tödlichen Verletzungen und zum Erlöschen der Garantie führen.
	Kontaktplatten der Ladestation und des Gerätes sind nicht verbunden	Stellen Sie sicher, dass die Ladestation ordnungsgemäß am Gerät montiert ist, damit sich die Kontaktplatten berühren.
	Externes Ladegerät ist defekt	Wenden Sie sich zwecks Austausch an Ihren Händler. WARNUNG! Die Verwendung eines falschen externen Geräts führt zu einer Beschädigung des Poolsaugers bzw. der Batterie und zum Erlöschen der Garantie.
Der Poolsauger ist aktiviert, obwohl der Schalter anzeigt, dass er ausgeschaltet ist	Magnetische Objekte in der Nähe haben den Motor versehentlich eingeschaltet	Die magnetischen Objekte oder den Sauger voneinander weg bewegen.
Die Betriebszeit ist kürzer als erwartet	Der Akku ist nicht vollständig geladen	Laden Sie den Poolsauger mindestens 6 Stunden lang auf. HINWEIS: Falls Flecken auf den Ladekontaktplatten gefunden werden, entfernen Sie diese mit einem mit Zitronensaft oder Essig getränkten Wattestäbchen.
Umweltschutzprogramme, EEAG-Richtlinie		
	Bitte beachten Sie die EU-Vorschriften und tragen Sie zum Umweltschutz bei. Geben Sie nicht funktionierende elektrische Geräte an eine von Ihrer Gemeinde beauftragte Einrichtung zurück, in der elektrische und elektronische Geräte ordnungsgemäß recycelt werden. Entsorgen Sie sie nicht in unsortierten Abfallbehältern. Entfernen Sie bei Gegenständen mit austauschbaren Batterien die Batterien, bevor Sie das Produkt entsorgen.	
	Alle Rechte vorbehalten. Ohne die vorherige schriftliche Genehmigung der Kokido Development Ltd. darf dieses Dokument weder ganz noch in Teilen vervielfältigt oder in anderer Weise übertragen werden, gleich ob durch elektronische oder mechanische Verfahren oder durch Photokopie, Tonaufnahmen oder andere Verfahren. (L-23010013)	

Wenn eine Kopie dieser Bedienungsanleitung erforderlich ist, wenden Sie sich bitte per E-Mail an unseren Kundendienst: customerservice@kokido.com

BEDIENUNGSANLEITUNG GUT AUFBEWAHREN

Opmerking: Afhankelijk van het model dat u bezit, zijn accessoires/onderdelen die in deze handleiding worden getoond niet noodzakelijkerwijs bij elk model inbegrepen. Product/onderdelen op foto's/tekeningen kunnen variëren afhankelijk van het gekochte model. Controleer de tekening met reserveonderdelen om de onderdelen te begrijpen die bij uw aangeschafte model zijn inbegrepen.

WAARSCHUWINGEN EN VEILIGHEIDSAANWIJZINGEN

De informatie in deze Handleiding helpt u om het apparaat veilig te bedienen, om uzelf en anderen te beschermen tegen gevaren en om schade aan het apparaat en andere eigendommen te voorkomen.

BEWAAR DEZE HANDLEIDING

WAARSCHUWING!

- Dit is GEEN SPEELGOED. Zorg ervoor dat kinderen uit de buurt blijven van deze bodemzuiger en zijn toebehoren.
- Laat kinderen nooit dit bodemzuiger bedienen.
- Dit apparaat is niet bedoeld voor gebruik door personen met verminderde fysieke, zintuiglijke of mentale capaciteiten, of een gebrek aan ervaring en kennis, tenzij zij onder toezicht staan of instructies hebben gekregen over het gebruik van het apparaat door een persoon die verantwoordelijk is voor hun veiligheid en zij de daarmee gepaard gaande risico's begrijpen.
- Kinderen mogen niet met dit bodemzuiger spelen.
- De reiniging en het onderhoud van de bodemzuiger mogen niet door kinderen worden uitgevoerd.
- Zorg ervoor dat de bodemzuiger volledig in het zwembad is ondergedompeld voordat u het apparaat begint te gebruiken. Het minimale waterniveau dat nodig is om de bodemzuiger te laten werken, moet boven de AAN/UIT-schakelaar van de bodemzuiger komen wanneer het toestel in verticale positie wordt gehouden. Het gebruik van de bodemzuiger wanneer deze niet correct is ondergedompeld, kan het apparaat beschadigen en de garantie ongeldig maken.
- De zuiger is geschikt voor zwembaden tot 3 meter diep.
- Maximale watertemperatuur: 5°C – 42°C.
-  Verwijderbaar voedingsapparaat (externe adapter).
- De bodemzuiger mag alleen worden opgeladen met de externe adapter en laadstation die bij dit product worden geleverd.
- Gebruik voor het opladen van de batterij alleen de afneembare voedingseenheid die bij deze bodemzuiger is geleverd om de batterij op te laden.
- Sluit de externe adapter aan op een stroombron via een aardlekschakelaar (RCD) / een verliesstroomschakelaar (GFCI). Raadpleeg een professionele elektricien als u vragen hebt.
- Gebruik de bodemzuiger niet als hij beschadigd is.
- Vervang beschadigde onderdelen door onderdelen die door de distributeur of fabrikant zijn gecertificeerd.

- Schakel de stroom uit, maak de externe adapter los van de stroombron en haal de stekker van de externe adapter uit de laadstation voordat u de bodemzuiger van de laadstation losmaakt.
- Koppel de bodemzuiger los van het stroomnet en zorg ervoor dat de bodemzuiger UIT staat voordat u regelmatig onderhoud uitvoert - zoals het reinigen van het filter en de laadcontactplaten.
- Probeer in geen geval de geïnstalleerde oplaadbare Li-ion-batterij te vervangen.
- Pak de bodemzuiger, de externe adapter en de laadstation NIET vast met natte ledematen en zonder schoenen terwijl hij wordt opgeladen.
- Zorg ervoor dat kinderen niet proberen toegang te krijgen tot de zwembadstofzuiger terwijl deze in bedrijf is.
- Gebruik deze bodemzuiger NOOIT zonder een Filterkegel in perfecte staat, anders vervalft de garantie.
- Gevaar voor beknelling door zuigkracht: deze bodemzuiger veroorzaakt zuigkracht. Zorg ervoor dat haar, lichaamsdelen of losse kledingstukken niet in contact komen met de zuigmond van de bodemzuiger wanneer deze ingeschakeld is.
- Steek geen lichaamsdelen, kleding of andere voorwerpen in de openingen en bewegende delen van de zuiger.
- Gebruik deze bodemzuiger NIET om giftige stoffen, ontvlambare en brandbare vloeistoffen (d.w.z. benzine) op te zuigen in de aanwezigheid van explosieve of ontvlambare dampen.
- Probeer nooit om de bodemzuiger te demonteren om zelf de rotor, de motor of de batterij te vervangen.
- Steek nooit je vingers of een ander voorwerp in het toestel om de rotor aan te raken.
- De ingebouwde batterij moet door een ervaren technicus worden verwijderd voordat deze wordt afgedankt.
- Deze bodemzuiger bevat een batterij die enkel mag worden verwijderd door vakkundig personeel.
- De bodemzuiger moet van het stroomnet worden losgekoppeld wanneer de batterij verwijderd wordt.
- Voor meer informatie over het recyclen/verwijderen van batterijen raadpleegt u het hoofdstuk " DE BATTERIJ WEGWERPEN" in deze handleiding en neemt u contact op met uw lokale autoriteiten voor meer informatie.
- De batterij moet veilig worden weggegooid in overeenstemming met de plaatselijke verordeningen of voorschriften.
- Externe adapter en laadstation:
 - Gebruik de externe adapter en de laadstation nooit voor andere doeleinden dan het opladen van de batterij die samen met de bodemzuiger werd geleverd.
 - Gebruik de externe adapter en laadstation niet buitenshuis en stel ze niet bloot aan regen, vocht, vloeistoffen of hitte.

- De transformator (of externe adapter) moet buiten zone 1 geplaatst worden
- Bewaar de externe adapter en de laadstation buiten het bereik van kinderen.
- Gebruik de externe adapter en de laadstation niet als ze beschadigd zijn.
- Raak de externe adapter en de laadstation NIET aan met natte handen.
- Raak de bodemzuiger, de externe adapter en de laadstation NIET aan met natte handen en zonder schoenen terwijl de zuiger aan het opladen is.
- Haal de externe adapter uit het stopcontact wanneer hij niet in gebruik is.
- Probeer nooit om de externe adapter of de laadstation te openen.
- Als de voedingskabel van de externe adapter beschadigd is, moet de externe adapter door de fabrikant of zijn servicemedewerker worden vervangen om gevaren van welke aard dan ook te voorkomen.
- De bodemzuiger en de laadstation moeten volledig droog zijn voor u de zuiger herlaadt.

OPGELET!

- Deze bodemzuiger is enkel geschikt voor gebruik onder water. Het is geen gewone stofzuiger. Gebruik hem NOOIT om iets anders schoon te maken dan uw zwembad.
- Gebruik enkel de originele toebehoren die bij dit toestel worden geleverd.
- Gebruik de bodemzuiger NIET vlak na een chloorshock. Het is aanbevolen om de pomp eerst 24-48 uren te laten draaien.
- Als u een zwembad met zout water gebruikt, zorg er dan voor dat al het zout opgelost is voordat u de bodemzuiger in het water plaatst.
- Het is niet raadzaam deze bodemzuiger tegelijkertijd te gebruiken met een andere automatische reiniger/reiniger.
- Zuig geen harde, scherpe voorwerpen op met dit bodemzuiger. Zij kunnen de zuiger of de filter beschadigen.
- Wees voorzichtig wanneer u de zwembadtrappen schoonmaakt.
- Draag de bodemzuiger niet met het snoer van de externe adapter of laadstation of trek niet aan het snoer om hem van de stroombron en de laadstation los te koppelen om schade aan de externe adapter en de laadstation te vermijden.
- Laad de bodemzuiger binnen op, in een schone, droge, goed verluchte ruimte en een omgevingstemperatuur tussen 5°C en 35°C.
- Laad de bodemzuiger NIET langer dan 10 uur opladen.
- Als u de bodemzuiger gedurende enige tijd niet gaat gebruiken, haalt u hem beter van de laadstation. Maak de zuiger en toebehoren schoon met een vochtige doek. Laad de bodemzuiger tot ongeveer 30% - 50% van de laadcapaciteit op voordat u hem opbergt. Bewaar hem in een goed verluchte ruimte, beschermd tegen zonlicht, hitte, ontstekingsbronnen en zwembadchemicaliën en buiten het bereik van kinderen. Laat de bodemzuiger nooit in het stopcontact zitten wanneer u hem voor langere tijd opbergt. Laad de bodemzuiger om de drie maanden op.

Bovenstaande waarschuwingen en veiligheidsaanwijzingen vormen geen exhaustieve lijst van alle mogelijke risico's en/of verwondingen. Elke zwembad- of spa-eigenaar moet het toestel voorzichtig en met gezond verstand gebruiken.

AAN DE SLAG

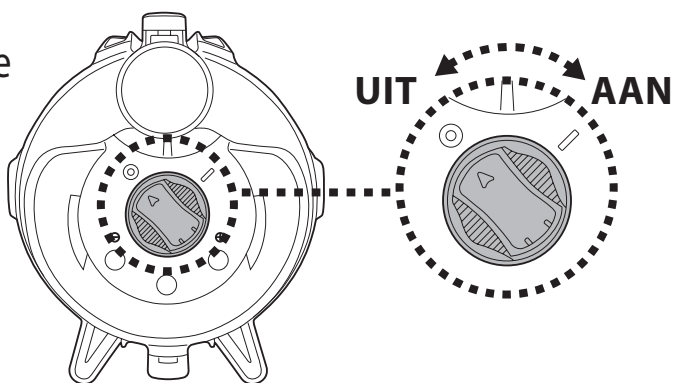
De batterij laden

BELANGRIJK: Laad de bodemzuiger volledig op (ongeveer 6 uur) voor u hem voor het eerst gebruikt.

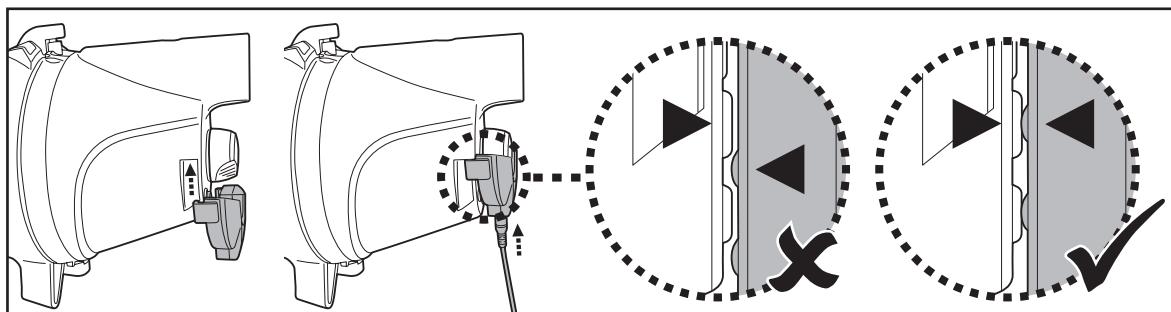
WAARSCHUWING!

- Gebruik alleen de originele externe adapter en meegeleverde laadstation
- Zorg ervoor dat de bodemzuiger en de laadcontactplaten schoon en droog zijn voordat u ze installeert en oplaadt. (TIPS: Gebruik een wattenstaafje om de laadcontactplaten te drogen.)
- Laad het toestel binnenshuis op, in een goed verluchte ruimte, beschermd tegen zonlicht, hitte en ontstekingsbronnen, buiten het bereik van kinderen en bij een omgevingstemperatuur tussen 5°C en 35°C.
- Gebruik de externe adapter en de laadstation niet als ze beschadigd zijn.
- De laadcontactplaten zijn waterdicht. Restanten van water op de contactplaten kunnen echter leiden tot het natuurlijk voorkomen van vlekken (een nevenverschijnsel van een chemische reactie tussen water en elektrische stromen). Anders kunnen de vlekken worden verwijderd door licht te schrobben met een wattenstaafje dat is gedrenkt in citroensap of azijn.
- Zorg ervoor dat de bodemzuiger is uitgeschakeld voordat u gaat laden.

1. Plaats het apparaat op een vlakke ondergrond. Zorg ervoor dat de bodemzuiger is uitgeschakeld door de stroom AAN/UIT-schakelaar in de UIT-stand te zetten voordat u het apparaat oplaadt.



2. Schuif de haak van de lader volledig in de zijgleuven op het uiteinde van het achterstuk. Controleer of de contactplaatjes elkaar raken. Steek de vrouwelijke jack van de externe adapter in de laadpoort op het uiteinde van de lader.



3. Steek de externe adapter in een stopcontact. Wanneer de bodemzuiger begint te laden, wordt het lampje op de externe adapter rood. Het duurt normaal 5-6 uur voor de zuiger volledig opgeladen is. Het lampje wordt groen wanneer de bodemzuiger bijna volledig geladen is.

OPMERKING: als de motor geluid voortbrengt, moet u ervoor zorgen dat "UIT" is geselecteerd op de stroomschakelaar.

- Koppel de externe adapter onmiddellijk los van de voedingsbron als u een van de volgende omstandigheden opmerkt:
 - Onaangename of ongewone geur
 - Oververhitting
 - Vervorming, barsten, lekken
 - Rook
4. Zodra het laden voltooid is, koppelt u de externe adapter los van de voedingsbron en verwijdert u de laadstation uit het toestel en de externe adapter.

Normaal gesproken kan de zwembadstofzuiger tot 40 minuten (voor Model EV56) / 90 minuten (voor Model EV57) werken op een volledige lading (opgeladen gedurende 5-6 uur).

Opmerking: Reinig de filter regelmatig. Te veel vuil in de filter belast de werking van de motor, waardoor de bedrijfsduur wordt ingekort.

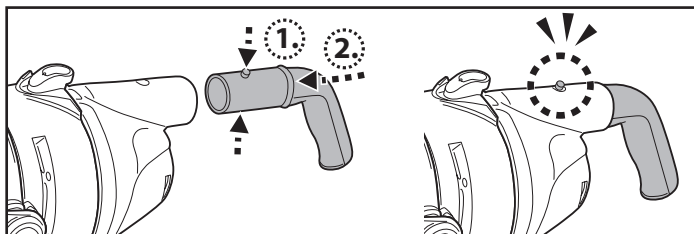
LET OP: de oplaadbare lithium-ionbatterij wordt beschouwd als een verbruiksgoed. Ze heeft een beperkte levensduur en zal na verloop van tijd geleidelijk aan oplaadcapaciteit verliezen. Naarmate de bodemzuiger wordt opgeladen en ontladen, zal zijn werkingstijd geleidelijk aan korter worden.

Wanneer de levensduur van de batterij ten einde is, raadpleeg dan het hoofdstuk "DE BATTERIJ WEGWERPEN" voor instructies voor het wegwerpen van de batterij.

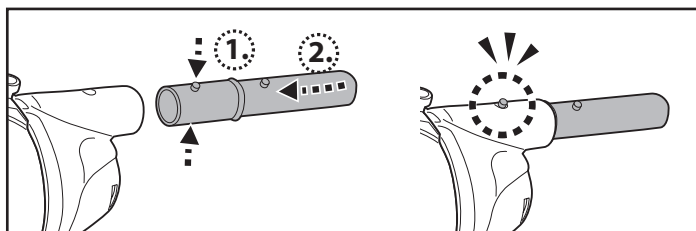
OPMERKING: Laat de bodemzuiger ongeveer 30 tot 40 minuten rusten alvorens hem opnieuw te laden.

Voorbereiding

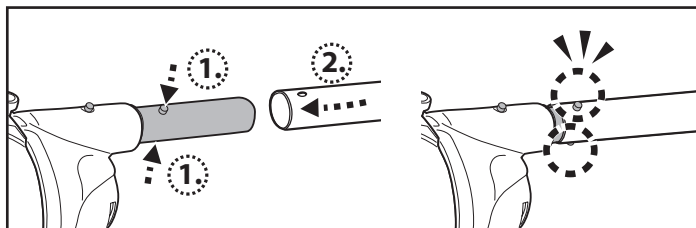
Handgreep montage



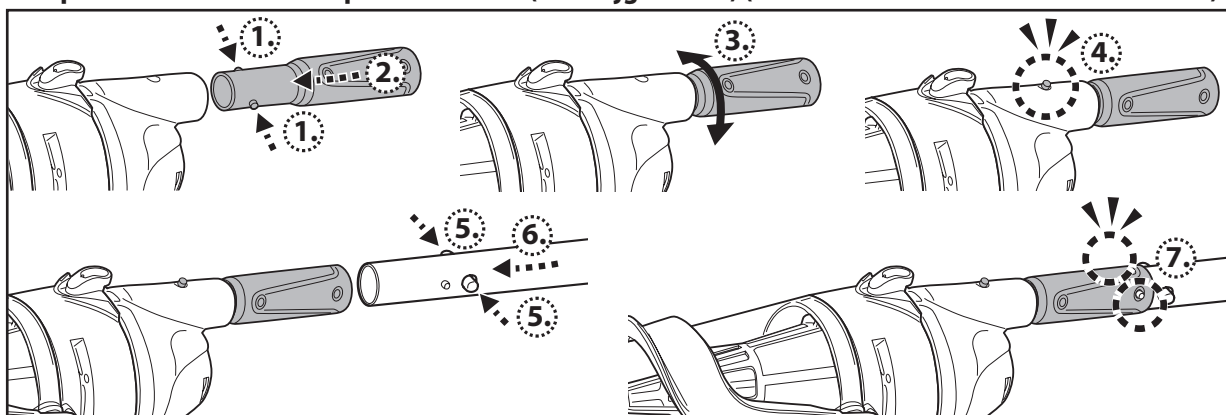
Montage paalaansluiting



Telescopische arm monteren (niet bijgeleverd) (alleen voor USA / EU-landen)



De specifieke uitschuifbare paal monteren (niet bijgeleverd) (alleen voor Australië / Nieuw-Zeeland)

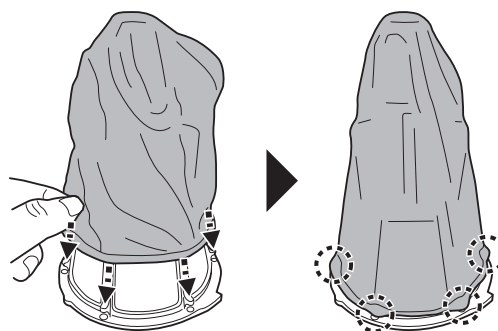


Montage filtersok

(Opmerking: De filtersok wordt niet noodzakelijkerwijs bij elk model meegeleverd.)

- **Opmerking:** Voor het filteren van fijne deeltjes wordt een filtersok meegeleverd.

Plaats de sok op de kegel en rek hem uit tot het einde. Haak de rand van de sok vast aan de vergrendelknoppen langs de filterkegel.



Voorbereiding van het Zwembad

- Verwijder stenen, wortels of metaal corrosie in contact met de onderkant van de liner voordat u de bodemzuiger gebruikt. Laat u indien nodig bijstaan door een gekwalificeerde professional.
- Als de liner broos, beschadigd of gekreukt is, neem dan contact op met een gekwalificeerde professional om de nodige reparatie uit te voeren of om de liner te vervangen voordat u de bodemzuiger gebruikt.
- Als u een zwembad met zout water gebruikt, zorg er dan voor dat al het zout opgelost is voordat u de bodemzuiger in het water plaatst.

WERKING

WAARSCHUWING!

- Zorg ervoor dat de bodemzuiger eerst uitgeschakeld is.
- Gebruik de bodemzuiger niet als hij beschadigd is.
- De smeermiddelen op de O-ring kunnen olievlekken veroorzaken.
- Zorg ervoor dat de bodemzuiger volledig in het zwembad is ondergedompeld voordat u deze begint te gebruiken. Het minimale waterniveau dat nodig is om de bodemzuiger te laten werken, moet boven de AAN/UIT-schakelaar van de bodemzuiger komen wanneer deze in verticale positie wordt gehouden. Het gebruik van de bodemzuiger wanneer deze niet correct is ondergedompeld, kan het apparaat beschadigen en de garantie ongeldig maken.
- Gebruik de bodemzuiger NIET zonder een intact filterkegel. Het gebruik van uw bodemzuiger zonder een intact filterkegel leidt tot het VERVALLEN van uw garantie.
- Dek de gleuf aan de zijkant van de zuiger NIET af tijdens het gebruik. De rotor/motor kan hierdoor beschadigd raken.
- Laat de bodemzuiger NIET in het water wanneer u hem niet gebruikt.
- Zorg ervoor dat de laadstation is losgemaakt voordat de bodemzuiger in het water wordt gezet.

1) Breng uw bodemzuiger naar de zijkant van uw zwembad/spa. Dompel de bodemzuiger onder in het water en zet de AAN/UIT-schakelaar in de AAN-stand om de werking te starten.

OPGELET! Steek de bodemzuiger altijd met de zuigmond naar beneden in het water. Anders kan het koppelstuk voor de steel plooiën en beschadigd raken.

2) Haal de bodemzuiger altijd met de zuigmond naar beneden uit het water, zodat het water kan weglopen langs de uitlaatklep. Het water zal weglopen langs de handgreep/het koppelstuk en de afvoergaten in de uitsparing voor de handgreep op het achterstuk.

OPGELET! Haal de bodemzuiger altijd met de zuigmond naar beneden uit het water. Anders kan het koppelstuk voor de steel plooiën en de bodemzuiger beschadigen tijdens het gebruik.

3) Spoel de bodemzuiger na elk gebruik met schoon water. Gebruik GEEN schoonmaakmiddelen.

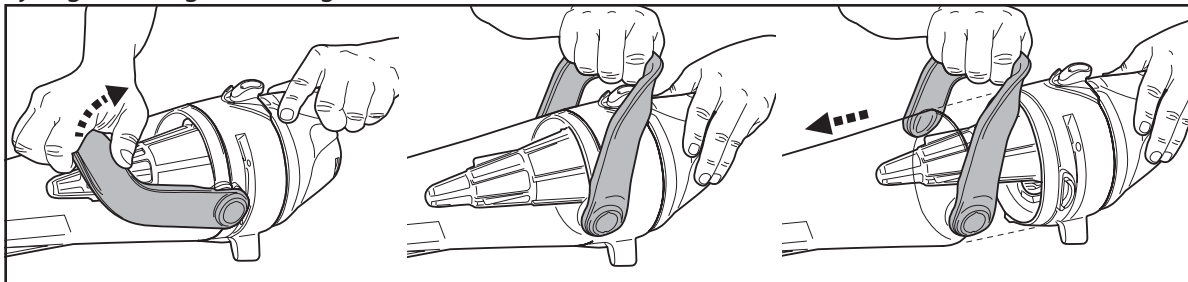
De filter leegmaken/ filtersok schoonmaken

WAARSCHUWING! Het gebruik van de bodemzuiger zonder filterkegel leidt tot het **VERVALLEN** van uw garantie.

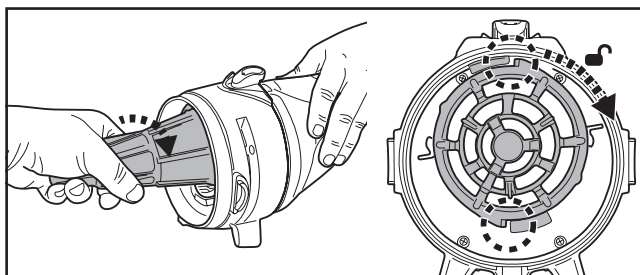
Om de reinigingsefficiëntie te maximaliseren, dient u het filtersok / filterkegel voor en na elk gebruik schoon te maken.

OPGELET! Als de bodemzuiger aan het laden is, moet u eerst de externe adapter uit het stopcontact halen en de zuiger van de lader halen. Zorg ervoor dat de bodemzuiger eerst uitgeschakeld is.

- 1) Leg de bodemzuiger op een stabiele ondergrond.
- 2) Houd de bodemzuiger vast en wrik de hendel van de koker tot het einde omhoog om de zijvergrendelingen volledig los te maken.



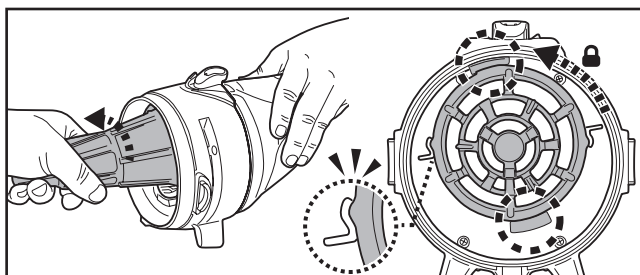
- 3) Maak de behuizing los en haak voorzichtig de filtersok los van de filterkegel. Verwijder de filtersok en draai de filterkegel met de klok mee totdat deze stopt. Haal de filterkegel uit de reiniger.



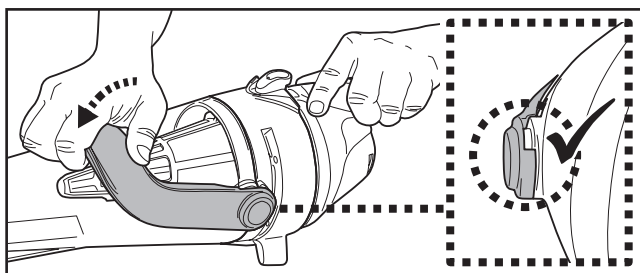
OPGELET! Vervang een beschadigde filtersok / filterkegel onmiddellijk door een nieuwe filterzak/filterkegel I, voor u de bodemzuiger weer gebruikt.

- 4) Spoel de filtersok uit met schoon water.
- 5) Verwijder het vuil uit de kap en spoel de filterkegel met water. Als dat niet volstaat, kunt u een zachte borstel gebruiken om het vuil voorzichtig te verwijderen.

- 6) Ga in omgekeerde volgorde te werk om de filtersok/ filterkegel weer te monteren. Draai de filterkegel met de wijzers van de klok mee totdat het zijlipje vastzit in de inkeping van beide zijden, zoals afgebeeld. U hoort een "klik"-geluid.



- 7) Lijn de kap uit en monteer hem opnieuw op de zwembadstofzuiger en controleer of de handgreep goed vastzit door hem helemaal naar beneden te duwen.



Onderhoud en opslag

NB:

- 1) Zorg ervoor dat u de laadcontactplaten na elk gebruik reinigt en droogt om de vorming van vlekken te voorkomen (bijverschijnsel van een natuurlijke chemische reactie tussen elektrische stroom en water). Anders kunnen de vlekken worden verwijderd door licht te schrobben met een wattenstaafje dat is gedrenkt in citroensap of azijn.
- 2) De batterij zal ontladen tijdens de opslag. Laad de bodemzuiger tot ongeveer 30% - 50% van de laadcapaciteit op voordat u hem opbergt.
- 3) Herlaad de batterij minstens om de drie maanden wanneer hij niet in gebruik is.
 - Haal de externe adapter uit het stopcontact en trek de jack van de adapter uit de laadstation.
 - Verwijder de toebehoren van de bodemzuiger. Spoel de bodemzuiger en de toebehoren indien nodig met schoon water. Gebruik GEEN schoonmaakmiddelen.
 - Laat water leeglopen uit de behuizing, handgreep en telescoopsteel bevestiging.
 - Maak de bodemzuiger en zijn toebehoren schoon met een vochtige doek en droog ze af.
 - Bewaar ze in een goed verluchte ruimte, beschermd tegen zonlicht, hitte, ontstekingsbronnen en zwembadchemicaliën en buiten het bereik van kinderen. De omgevingstemperatuur moet 10°C – 25°C bedragen. NB: bij een hogere temperatuur is het mogelijk dat de batterij minder lang meegaat.

WAARSCHUWING!

- Probeer op geen enkele manier om de bodemzuiger te demonteren.
- Probeer nooit om de bodemzuiger te demonteren om zelf de rotor, de motor of de batterij te vervangen.

OPGELET!

- Overdreven hitte kan schadelijk zijn voor de batterij en haar levensduur verkorten.
- Raadpleeg uw handelaar voor het vervangen van de batterij als het volgende gebeurt:
 - De batterij lijkt beschadigd of laadt niet volledig op.
 - De werkingstijd van de batterij is aanzienlijk korter. Noteer hoelang de batterij meegaat de eerste keren dat u het toestel gebruikt (na een volledige oplaadbeurt). Die duur kan dienen als referentie voor de werkingstijd van oudere batterijen.
- Verwijder de batterij uit de bodemzuiger voor u deze wegwerpt.
- Koppel de bodemzuiger los van het elektriciteitsnet wanneer u de batterij verwijdert.
- Voer de batterij veilig af, in overeenstemming met de plaatselijke voorschriften of reglementen.

NB: wanneer de batterij niet correct wordt onderhouden, is het mogelijk dat zij minder lang meegaat en minder goed werkt.

DE BATTERIJ WEGWERPEN (Uit te voeren door een geautoriseerd technicus)

De bodemzuiger is uitgerust met een onderhoudsvrije, oplaadbare lithium-ionaccu, die u correct moet afvoeren. Recycling is verplicht; neem contact op met de plaatselijke overheid voor meer informatie.

WAARSCHUWING! Probeer nooit een accu te demonteren.

- Verwijder alle persoonlijke voorwerpen, zoals ringen, armbanden, halsbanden en horloges, wanneer de accu losgekoppeld is van de bodemzuiger.
- Een batterij kan voldoende kortsluitstroom veroorzaken om een ring of dergelijke te versmelten met het metaal, met ernstige brandwonden als gevolg.
- Draag volledige oogbescherming, handschoenen en beschermende kleding wanneer u de accu verwijdert.
- Raak de kabels niet aan en zorg ervoor dat ze geen metalen voorwerpen raken, want dat kan vonken veroorzaken en/of kortsluiting in de batterij.
- Rook niet en vermijd vonken of vlammen in de nabijheid van de batterij of de bodemzuiger.
- Stel de batterij niet bloot aan vuur of hitte, anders kan hij ontploffen.

OPGELET!

Wanneer er vloeistof uit de batterij lekt, is deze beschadigd. Raak de vloeistof niet aan en steek de beschadigde batterij in een plastic zak.

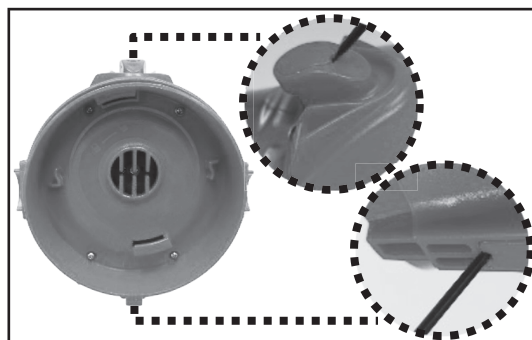
- Als de gelekte vloeistof toch in contact komt met huid of kleding, moet u deze onmiddellijk afwassen met zeep en water.
- Als de gelekte vloeistof in contact komt met de ogen: de ogen onmiddellijk spoelen met stromend water gedurende minstens 15 minuten, zonder te wrijven. Raadpleeg indien nodig een arts.

Hoe de accu te verwijderen, enkel voor het weggoien van de batterij

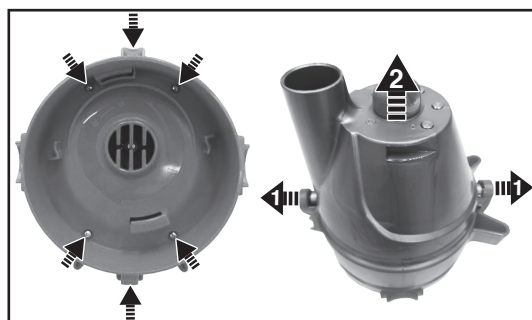
(Uit te voeren door een geautoriseerd technicus)

Aanbevolen gereedschap (niet inbegrepen): een kruisschroevendraaier.

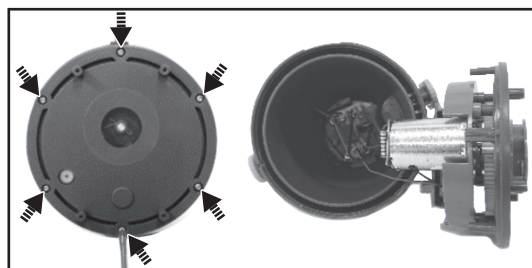
- 1) Volg de instructies om de transparante koker en filterkegel vrij te maken.
2. Gebruik een kleine platte schroevendraaier om de schroefkappen los te wrikken en te verwijderen zoals getoond.



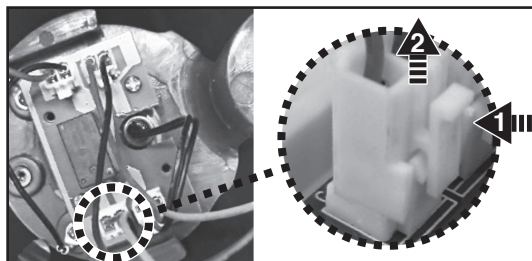
3. Maak de zes schroeven van de bovenste plaat los met de schroevendraaier en haal de plaat van het achterstuk, zodat u bij het deksel van het achterstuk kunt.



4. Maak de zes schroeven los en verwijder het deksel om bij de printplaten, de motor en de accu te kunnen.

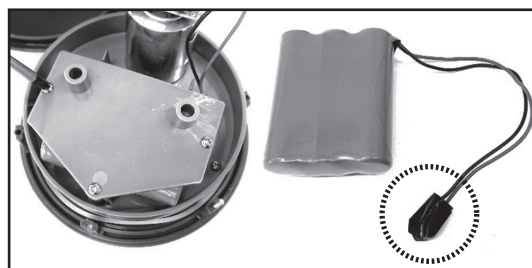


5. Om de aansluitkabel van de batterij los te maken, drukt u op de clip op de connector en trekt u deze er vervolgens uit.





6. Maak de 3 schroeven los om het deksel van het batterijvak te verwijderen en verwijder vervolgens het batterijpak.

OPMERKING: Wikkel de connector onmiddellijk in met isolatietape om kortsluiting door contact van beide draadklemmen te voorkomen.



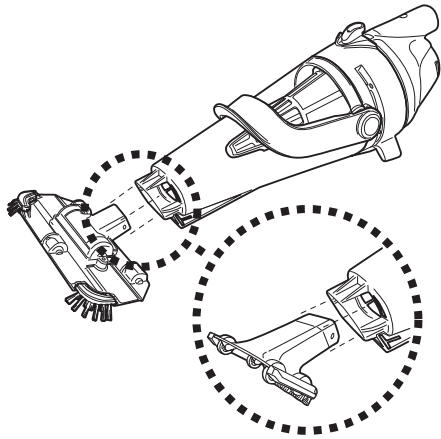
PROBLEMEN OPLOSSEN

Probleem	Mogelijke oorzaken	Oplossing
De bodemzuiger zuigt geen vuil op	De batterij is bijna leeg	Laad de batterij op.
	De rotor is geblokkeerd	Schakel de bodemzuiger uit en kijk in de opening in het midden van de bodemzuiger of er een groot stuk vuil in de rotor steekt. Is dat het geval, probeer het dan heel voorzichtig te verwijderen met een klein werktuig. Neem indien nodig contact op met uw handelaar voor verdere instructies. WAARSCHUWING! Schakel de bodemzuiger altijd uit voor u enig onderhoud uitvoert.
	De rotor is defect	Neem contact op met uw handelaar om de rotor te laten vervangen.
	De filter is vol	Reinig de filter.
	Grote stukken vuil / groot volume vuil	Verwijder de zuigkop (niet aanbevolen voor zwembaden met een vinyl- of glasvezelbekleding, aangezien dit de bekleding kan krassen).
Er komt vuil uit de filter	De zuigmondklep is stuk	De zuigmondklep werkt als een deur die voorkomt dat het vuil uit de filter ontsnapt. Neem contact op met uw handelaar voor reserveonderdelen en instructies.
	Het filtergaas is beschadigd	Vervang de filterkegel.
	De uitlaatklep komt los	Zonder de uitlaatklep kan de bodemzuiger vuil opzuigen door deze opening. Neem contact op met uw handelaar om de klep te laten vervangen.
De het koppelstuk voor de steel kan niet stevig worden bevestigd	De zijpin is stuk	Vervang de het koppelstuk door een nieuw exemplaar.
De bodemzuiger laadt niet op	De batterij is beschadigd	Neem contact op met uw handelaar om de batterij te laten vervangen. WAARSCHUWING! Open de bodemzuiger NIET om de batterij zelf te vervangen. Dat kan ernstige of dodelijke verwondingen veroorzaken en annuleert de garantie.
	De contactplaatjes van de lader en de zuiger raken elkaar niet	Controleer of de lader correct op de zuiger is aangebracht, zodat hun contactplaatjes elkaar raken.
	De externe adapter is defect	Neem contact op met uw handelaar om de adapter te laten vervangen. WAARSCHUWING! Als u de verkeerde externe adapter gebruikt, kan de bodemzuiger/batterij beschadigd geraken en vervalt de garantie.
De bodemzuiger is ingeschakeld, ook al geeft de schakelaar aan dat het apparaat uit staat	Aanwezigheid van magnetische objecten in de buurt heeft de motor per ongeluk ingeschakeld	Verplaats de magnetische objecten of zuig ze van elkaar af.
De werkingstijd is korter dan verwacht	De batterij is niet volledig opgeladen	Laad de bodemzuiger minstens 6 uur op. OPMERKING: als er vlekken worden aangetroffen op de laadcontactplaten, verwijder deze dan met een wattenstaafje dat is gedrenkt in citroensap of azijn.
Milieuprogramma's, Europese AEEA-richtlijn		
	Gelieve de regelgeving van de Europese Unie na te leven en zo het milieu te beschermen. Voer afgedankte elektrische apparatuur af naar een speciaal gemeentelijk inzamelpunt dat elektrische en elektronische apparatuur correct recyclet. Werp het niet weg bij ongesorteerd afval. Haal eventuele verwijderbare batterijen uit de afgedankte apparatuur.	
	Alle rechten voorbehouden. Niets van dit document mag worden vermenigvuldigd of doorgegeven in welke vorm of op welke wijze dan ook, zij het elektronisch, mechanisch, op fotokopie, opgenomen of op enige andere wijze, zonder de voorafgaande schriftelijke toestemming van Kokido Development Ltd. (L-23010013)	

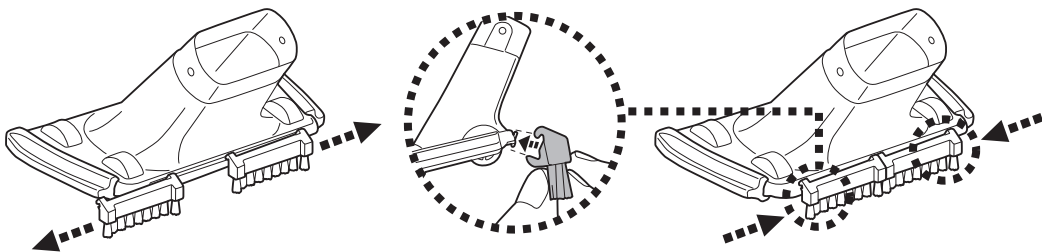
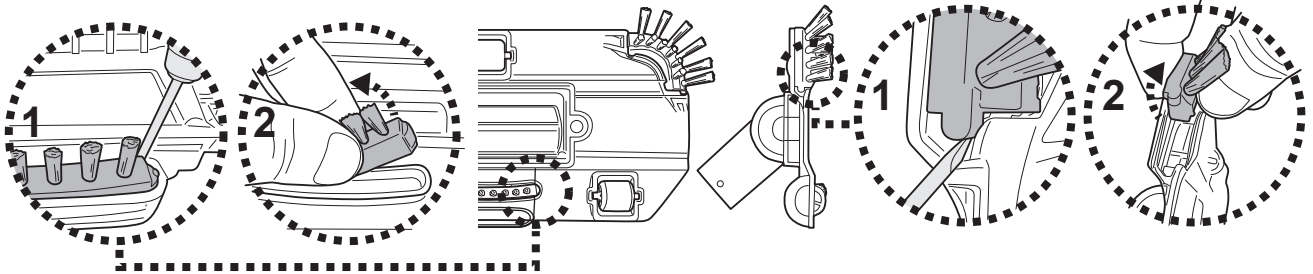
Als een kopie van deze handleiding vereist is, neem dan contact op met onze klantenservice via e-mail: customerservice@kokido.com

BEWAAR DEZE HANDLEIDING

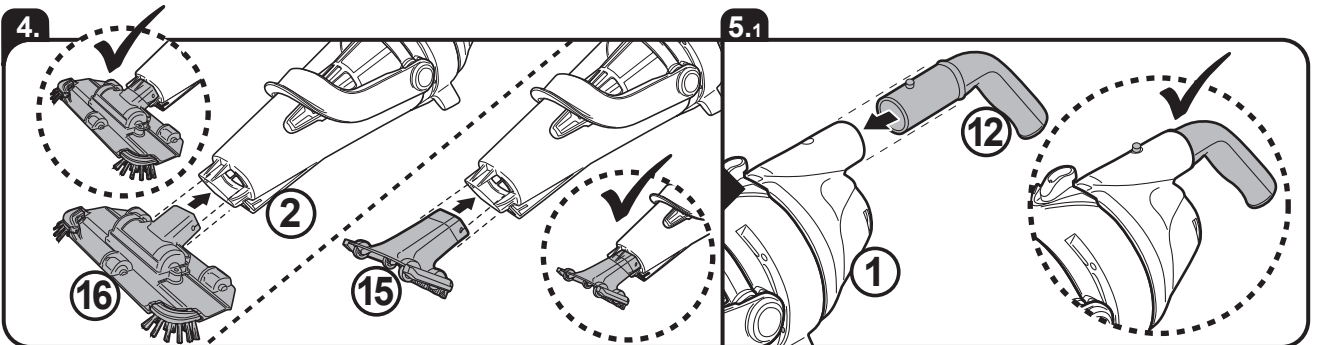
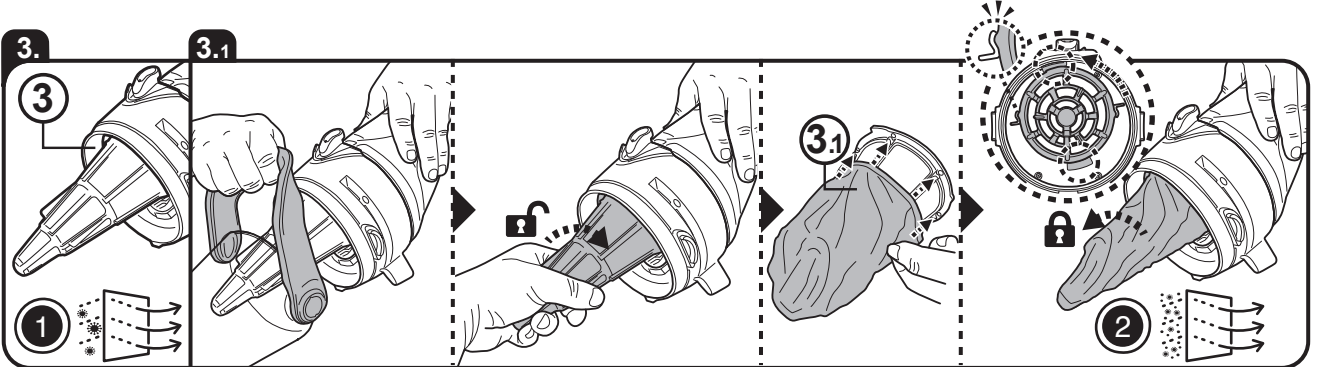
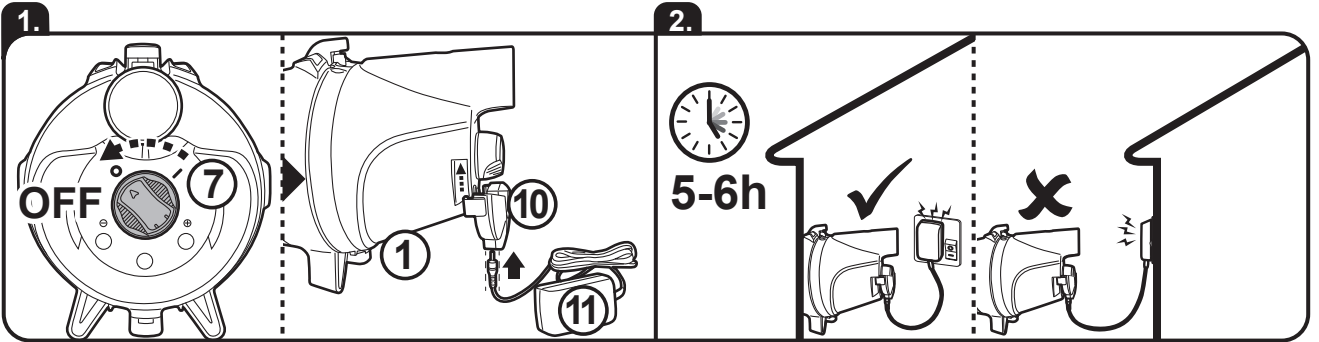
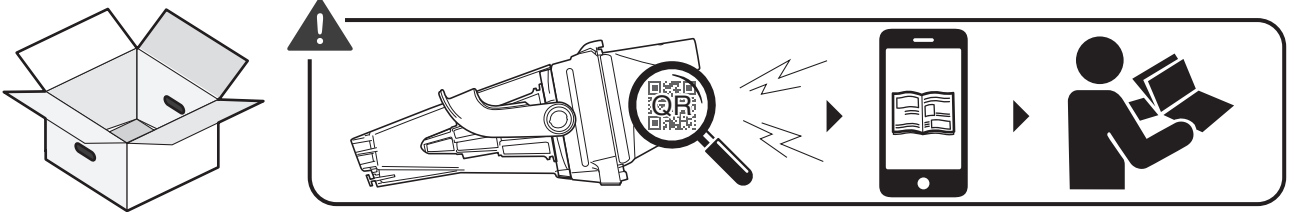
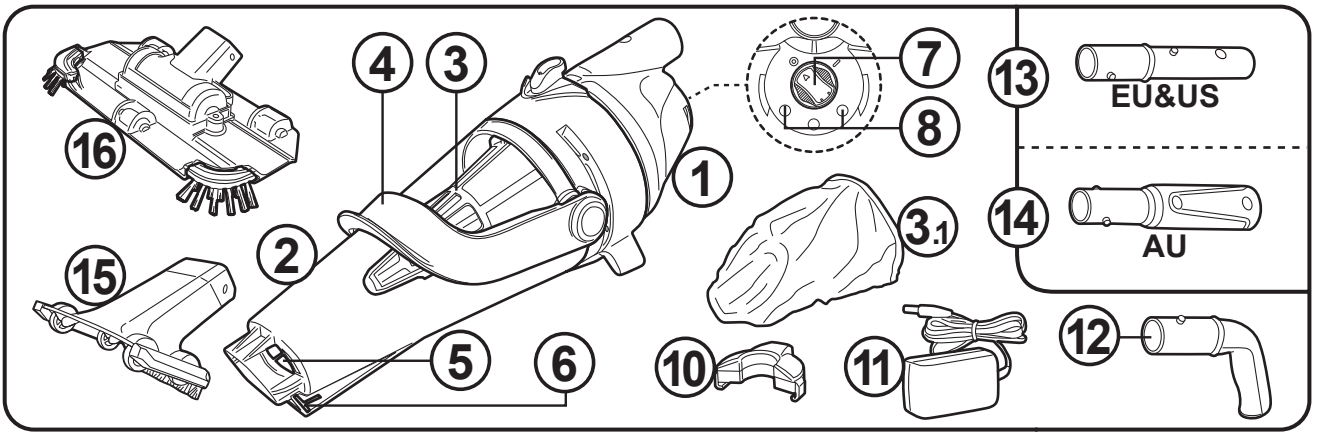
SUCTION HEAD / NOZZLE ASSEMBLY
MONTAGE DE LA TÊTE D'ASPIRATION / MANCHETTE
ASAMBLEA DEL CABEZAL DE SUCCIÓN / BOQUILLA
MONTAGEM DA CABEÇA DE SUÇÃO / BOCAL DE CANTOS
MONTAGGIO DELLA TESTA DI ASPIRAZIONE / UGELLO
MONTAGE DES SAUGKOPF / DÜSE
DE ZUIGKOP / MONDSTUK MONTEREN

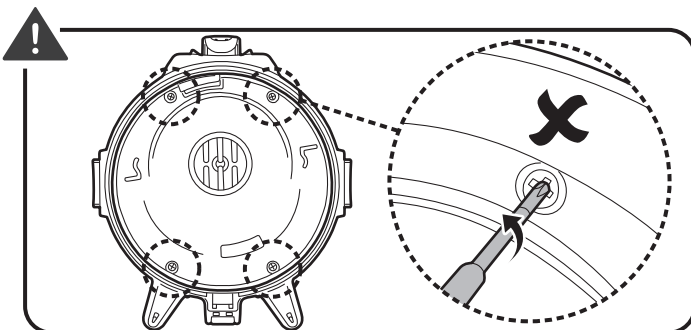
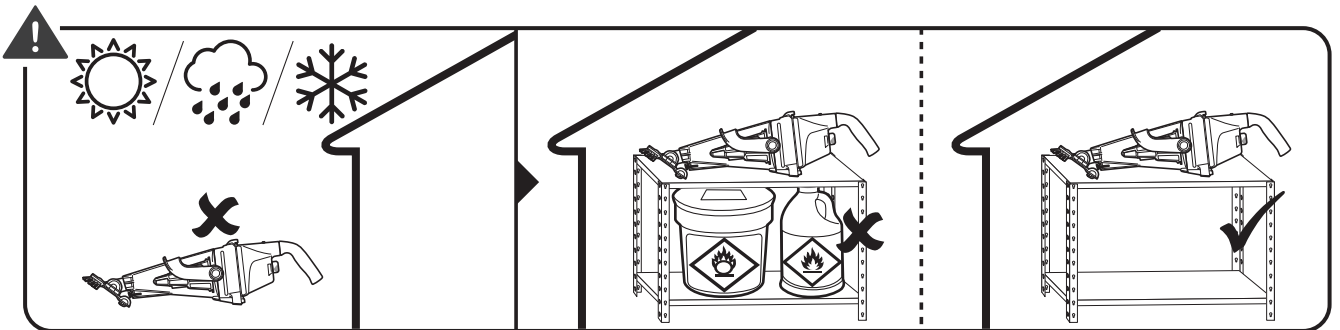
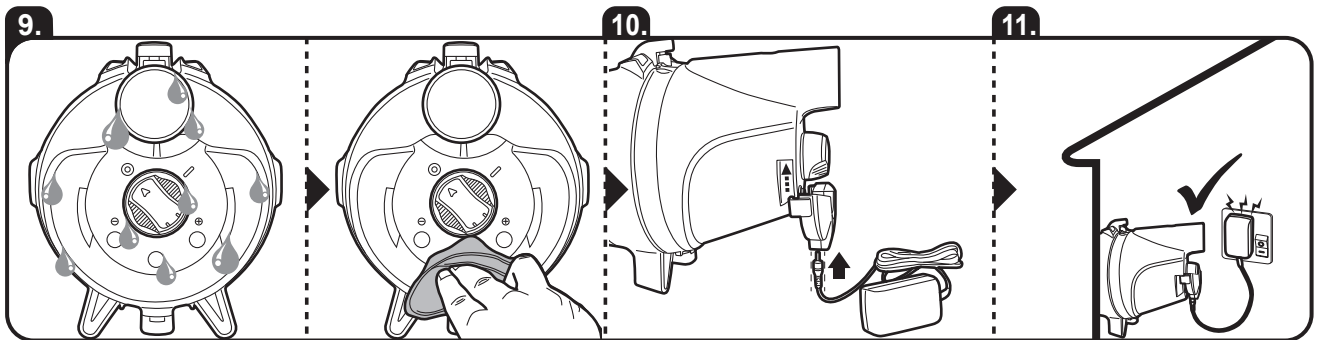
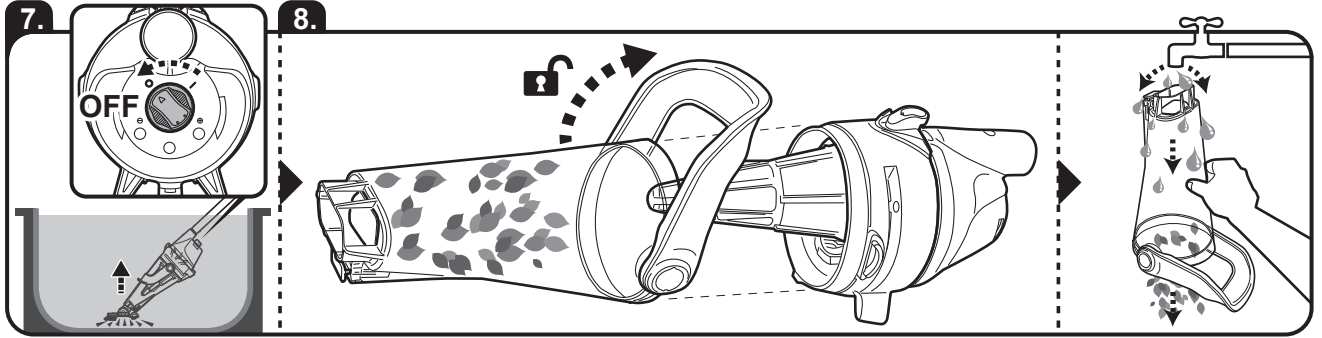
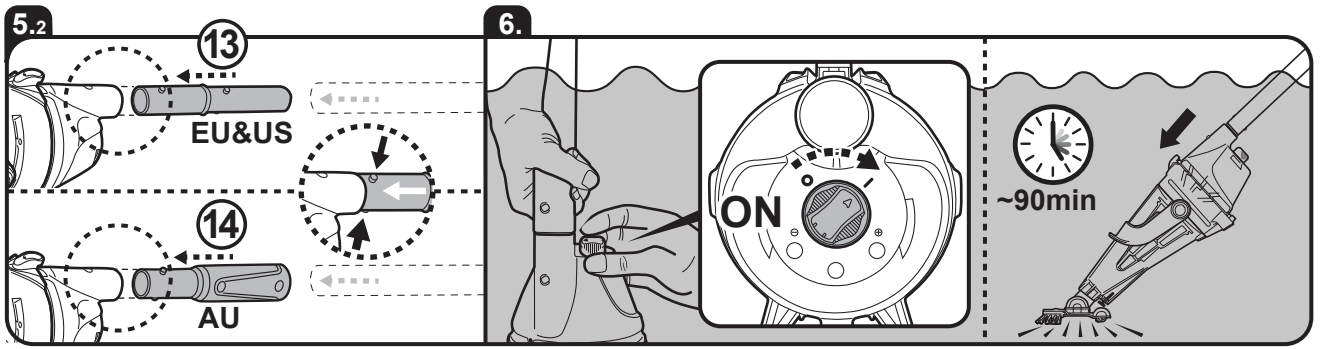


- Align and insert the suction head directly into the suction nozzle of the pool vacuum.
- Aligned et insérez la tête d'aspiration directement dans la buse d'aspiration de l'aspirateur de piscine.
- Alinee e inserte el cabezal de succión directamente en la boquilla de succión de la aspiradora.
- Alinhe e insira a cabeça de sucção diretamente na entrada de sucção do aspirador de piscina.
- Allineare e inserire la testa di aspirazione direttamente nella bocchetta di aspirazione dell'aspiratore per piscina.
- Richten Sie den Saugkopf aus und setzen Sie ihn direkt in die Saugdüse des Poolsaugers ein.
- Lijn de zuigkop uit en plaats hem rechtstreeks in de zuigmond van de bodemzuiger.



- **WARNING!** For vinyl liner and fibreglass pools, it is recommended to keep the brushes on the suction head/flat nozzle to avoid damaging the pool.
- **AVERTISSEMENT!** Pour les piscines en fibre de verre et avec une doublure en vinyle, il est recommandé de laisser les brosses sur la tête d'aspiration/embout plat afin d'éviter d'endommager la piscine.
- **¡ATENCIÓN!** En el caso de piscinas revestidas de vinilo o piscinas de fibra de vidrio, se recomienda mantener los cepillos en el cabezal de succión/boquilla de aspiración plana para evitar dañar la piscina.
- **AVISO!** Para revestimiento de vinil e piscinas de fibra de vidro, recomenda-se que mantenha as escovas na cabeça de sucção para evitar danificar a piscina.
- **AVVERTENZA!** Per piscine e spa in vinile & fibra di vetro, si raccomanda di mantenere le spazzole sulla testina di aspirazione/getto piatto per evitare qualsiasi danno alla piscina.
- **WARNUNG!** Für Pool aus Vinyl und Glasfaser wird empfohlen, die Bürsten auf dem Saugkopf/Flachdüse zu belassen, um eine Beschädigung des Pool zu vermeiden.
- **WAARSCHUWING!** Om schade te voorkomen in zwembaden met een vinyl- of glasvezelbekleding is het raadzaam om de borstels op de zuigkop/vlak mondstuk te laten zitten.





EV57CBX/SCP/EU
 EV57CBX/SCP/US
 EV57CBX/SCP/AU
 EV57AAAANKOKV01DQS
 © 2024 Kokido Development Limited

LIMITED WARRANTY

Warranty applies to the original owner only and cannot be transferred. Contact your local dealer for warranty. The warranty does not cover:

- Normal wear and tear, including parts that might wear out over time (e.g., brush, rake, filter, filter bag, roller and its accessories, etc.).
- Accidental damage.
- Damage due to inappropriate use against the rating plate and/or instructions provided in the Operating Manual or other material.
- Damage caused by the lack of recommended maintenance.
- Damage from external sources such as transit, weather, electrical outages, or power surges.
- Failures caused by circumstances outside of recommendation (e.g., water temperature, storage temperature, instruction of use and charging environment, etc.).
- Faults caused by:
 - Negligent use, misuse, neglect, or careless operation of the appliance.
 - Use of the appliance not in accordance with the Operating Manual.
 - Use of parts not assembled or installed in accordance with the Operating Manual.
 - Use of parts and accessories which are not Genuine Components.
 - Faulty assembly or installation.
 - Repairs or alterations (if allowed) carried out by unauthorized agents.

GARANTIE LIMITÉE

La garantie ne s'applique uniquement au propriétaire initial et elle ne peut être transférée. Veuillez contacter votre concessionnaire local. La garantie ne couvre pas :

- L'usure normale, y compris les pièces susceptibles de s'user avec le temps (p.ex., brosse, raclette, filtre, sac filtrant, rouleau et les accessoires, etc.).
- Les dommages accidentels.
- Les dommages dus à une utilisation inappropriée non conforme aux informations sur l'étiquette des caractéristiques, aux instructions fournies dans le manuel d'instructions ou autre matériel fournis.
- Les dégâts causés par le manque d'entretien recommandé.
- Les dégâts provenant de sources externes, telles que le transport, les conditions météorologiques, pannes d'électricité, ou surtensions.
- Défaillances causées par des circonstances étrangères aux recommandations (p.ex., température de l'eau, température de stockage, mode d'emploi et environnement de charge, etc.).
- Les dégâts causés par :
 - Utilisation négligente, mauvais usage, négligence ou utilisation imprudent de l'appareil.
 - Utilisation de l'appareil non conforme au manuel d'instructions.
 - Utilisation de pièces qui n'ont pas été montées ou installées conformément au manuel d'instructions.
 - Utilisation de pièces et d'accessoires qui ne sont pas des composants authentiques.
 - Montage ou installation non conforme au manuel d'instructions.
 - Réparations ou altérations (si autorisé) effectuées par un agent non agréé.

GARANTÍA LIMITADA

La garantía se aplica únicamente al propietario original y no es transferible. Póngase en contacto con su distribuidor local para la garantía. La garantía no cubre:

- Desgaste normal, incluidas las piezas que pueden desgastarse con el tiempo (por ejemplo, escobilla a presión, rastrillo a presión, filtro, bolsa filtrante, rodillo y sus accesorios, etc.).
- Daño accidental.
- Daños debidos a un uso inapropiado en contra de las indicaciones de la placa de características y/o de las instrucciones provistas en el manual de instrucciones u otro material.
- Daños causados por la falta de mantenimiento recomendado.
- Daños causados por fuentes externas, como el traslado, el clima, cortes de electricidad o subidas de tensión.
- Fallos causados por circunstancias no incluidas en las recomendaciones de uso (por ejemplo, temperatura del agua, temperatura de almacenamiento, instrucciones de uso y entorno de carga, etc.).
- Averías causadas por:
 - Uso negligente, mal uso, descuido o uso imprudente del aparato.
 - Uso del aparato no conforme al manual de instrucciones.
 - Uso de piezas no ensambladas o instaladas de acuerdo con el manual de instrucciones.
 - Uso de piezas y accesorios que no sean originales.
 - Montaje o instalación defectuosa.
 - Reparaciones o alteraciones (si están permitidas) realizadas por agentes no autorizados.

GARANTIA LIMITADA

A garantia aplica-se apenas ao proprietário original e não pode ser transferida. Contacte o seu revendedor local para garantia. A garantia não cobre:

- Desgaste e utilização normais, incluindo peças que se possam desgastar com o tempo (por exemplo, escova, ancinho, filtro, saco do filtro, rolo e seus acessórios, etc.)
- Danos acidentais
- Danos devido a utilização inadequada contra a placa de classificação e/ou instruções fornecidas no Manual de Operação ou outro material.
- Danos causados pela falta de manutenção recomendada.
- Danos de fontes externas como, por exemplo, trânsito, clima, falhas elétricas ou picos de corrente.
- Averias causadas por circunstâncias fora da recomendação (por exemplo, temperatura da água, temperatura de armazenamento, instruções de utilização e ambiente de carregamento, etc.) • Averias causadas por:
 - Utilização negligente, má utilização, negligência ou operação descuidada do eletrodoméstico.
 - Utilização do eletrodoméstico não está de acordo com o Manual Operativo.
 - Utilização de peças não montadas ou instaladas de acordo com o Manual Operativo.
 - Utilização de peças e acessórios que não sejam Componentes Genuínos.
 - Montagem ou instalação errada.
 - Reparações ou alterações (se permitidas) realizadas por agentes não autorizados.

GARANZIA LIMITATA

La garanzia è valida solo per il proprietario originale e non può essere trasferita. Per la garanzia, rivolgersi al rivenditore locale. La garanzia non copre:

- Normale usura, comprese le parti che potrebbero usurarsi nel tempo (ad esempio, spazzola, rastrello, filtro, sacchetto del filtro, rullo e relativi accessori, ecc.).
- Danno accidentale.
- Danni dovuti a un utilizzo non conforme alla targhetta e/o alle istruzioni fornite nelle Istruzioni per l'uso o in altro materiale.
- Danni causati dalla mancata manutenzione raccomandata.
- Danni causati da fonti esterne come transito, condizioni atmosferiche, interruzioni di corrente o sbalzi di tensione.
- Guasti causati da circostanze che esulano dalle raccomandazioni (ad esempio, temperatura dell'acqua, temperatura di conservazione, istruzioni d'uso e ambiente di ricarica, ecc.).
- Guasti causati da:
 - Uso negligente, uso improprio, negligenza o disattenzione nell'utilizzo dell'apparecchio.
 - Utilizzo dell'apparecchio non conforme alle istruzioni per l'uso.
 - Utilizzo di parti non assemblate o installate in conformità alle istruzioni per l'uso.
 - Utilizzo di parti e accessori non originali.
 - Montaggio o installazione difettosi.
 - Riparazioni o modifiche (se consentite) eseguite da agenti non autorizzati.

GARANTIEBESCHRÄNKUNG

Die Garantie gilt nur für den Erstbesitzer und kann nicht übertragen werden. Wenden Sie sich für die Garantie an Ihren Händler vor Ort. Folgende Punkte sind von der Garantie nicht abgedeckt:

- Normale Abnutzung, einschließlich Teilen, die sich mit der Zeit abnutzen können (z. B. aufsteckbare Bürste, Rechen, Filter, Filterbeutel, Walze und deren Zubehör usw.).
- Unbeabsichtigte Schäden.
- Schäden durch unsachgemäßen Gebrauch wegen Nichtbefolgung des Typenschildes und/oder der Anweisungen in der Bedienungsanleitung oder der Verwendung anderer Materialien.
- Schäden, die durch die Nichtdurchführung der empfohlenen Wartung verursacht wurden.
- Schäden durch äußere Einflüsse wie Transport, Wetter, Stromausfälle oder Überspannungen.
- Fehler, die durch Umstände außerhalb der Empfehlungen verursacht wurden (z. B. Wassertemperatur, Lagertemperatur, Gebrauchsanweisung und Ladeumgebung usw.).
- Fehler infolge nachstehender Punkte:
 - Fahrlässige Verwendung, Missbrauch, Nachlässigkeit oder unvorsichtige Bedienung des Geräts.
 - Verwendung des Geräts nicht in Übereinstimmung mit der Bedienungsanleitung.
 - Verwendung von Teilen, die nicht in Übereinstimmung mit der Bedienungsanleitung montiert oder installiert wurden.
 - Verwendung von Teilen und Zubehör, die keine Originalkomponenten sind.
 - Fehlerhafte Montage oder Installation.
 - Reparaturen oder Änderungen (sofern zulässig), die von nicht autorisierten Personen durchgeführt wurden.

BEPERKTE GARANTIE

Deze garantie geldt alleen voor de oorspronkelijke eigenaar en kan niet worden overgedragen. Neem contact op met uw plaatselijke dealer voor garantie. De garantie dekt in geen geval:

- Normale slijtage, inclusief onderdelen die na verloop van tijd kunnen slijten (bv. borstel, hark, filter, filterzak, roller en toebehoren, enz.).
- Accidentele schade.
- Schade als gevolg van oneigenlijk gebruik dat niet in overeenstemming is met het typeplaatje en/of de instructies in de Gebruikshandleiding of ander materiaal.
- Schade veroorzaakt door het niet uitvoeren van het aanbevolen onderhoud.
- Schade door externe oorzaken zoals transport, weersomstandigheden, stroomuitval of stroompieken.
- Defecten veroorzaakt door omstandigheden buiten de aanbeveling (bv. watertemperatuur, opslagtemperatuur, gebruiksaanwijzing en laadomgeving, enz.).
- Schade veroorzaakt door:
 - Onachtzaam gebruik, verkeerd gebruik, verwaarlozing of onzorgvuldige bediening van het apparaat.
 - Gebruik van het apparaat dat niet in overeenstemming is met de Gebruiksaanwijzing.
 - Gebruik van onderdelen die niet volgens de Gebruiksaanwijzing gemonteerd of geïnstalleerd zijn.
 - Gebruik van onderdelen en accessoires die geen originele onderdelen zijn.
 - Foutieve montage of installatie.
 - Reparaties of wijzigingen (indien toegestaan) die zijn uitgevoerd door onbevoegden.



We reserve the right to change all or part of the features of the articles or contents of this document, without prior notice.
International patents pending



Nous nous réservons le droit de modifier tout ou partie des caractéristiques des articles ou des contenus de ce document, sans notification préalable.
Brevets internationaux en attente



Nos reservamos el derecho de modificar la totalidad o parte de las características de los artículos o contenidos de este documento sin aviso previo.
Patentes Internacionales pendientes



Reservamo-nos o direito a alterar a totalidade ou parte das funcionalidades dos artigos ou conteúdos deste documento sem aviso prévio.
Patentes internacionais pendentes



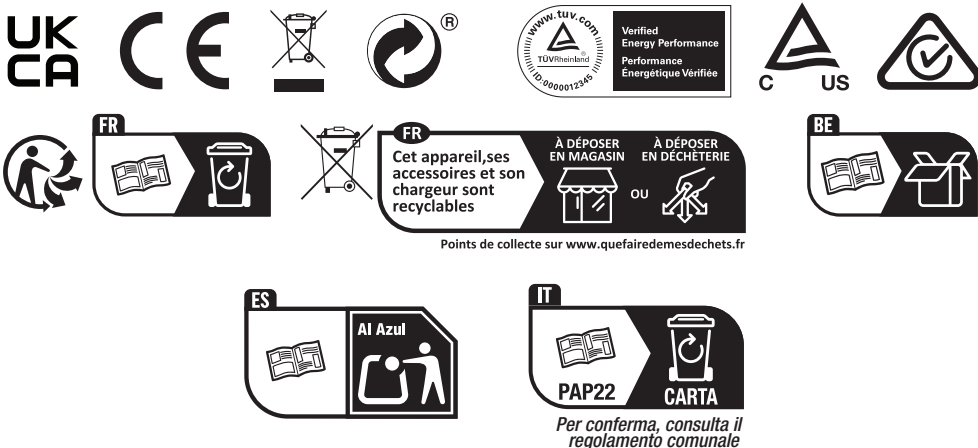
Ci riserviamo il diritto di modificare integralmente o parzialmente le caratteristiche degli articoli o del contenuto del presente documento senza preavviso.
Patenti internazionali in attesa



Wir behalten uns das Recht vor, Aspekte der Artikel bzw. den Inhalt dieses Dokuments jeweils ganz oder teilweise ohne vorherige Ankündigung zu ändern.
International zum Patent angemeldet



Wij behouden ons het recht voor om zonder voorafgaande kennisgeving de artikelen of de inhoud van dit document te wijzigen.
In afwachting van internationale patenten



Manufacturer/Fabricant/Fabricante/Fabricante/Fabbricante/Hersteller/Fabrikant:

© 2024 Kokido Development Limited

Unit 1319, Sunbeam Centre, 27 Shing Yip Street,
Kwun Tong, Kowloon, HK

Made in China / Fabriqué en Chine / Fabricado en China / Feito na China / Fatto in Cina / Hergestellt in China / Gemaakt in China

EV57AAAASCPV01IM