

"Apollo"[®] INTERNATIONAL

SUBMITTAL SHEET

94A Series

Full-Port Brass Ball Valve



Job Name:	
Job Location:	
Engineer:	
Contractor:	
Tag:	
PO Number:	
Representative:	
Wholesale Distributor:	

DESCRIPTION

The Apollo International™ 94A forged brass ball valves combine reliable operation with maximum economy. Ideal for general flow control applications including HVAC, fuelgases, and fire protection trim and drain etc. Valves include most pertinent agency approvals.

FEATURES

- Full-Port
- Blow-out Proof Stem Design
- Adjustable Stem Packing Nut
- Silicone Free
- 100% Factory Tested

PERFORMANCE RATING

- Valve Design Rating: 600 CWP (400 CWP 2-1/2" to 4")
- Temperature Range 0°F - 400°F

APPROVALS

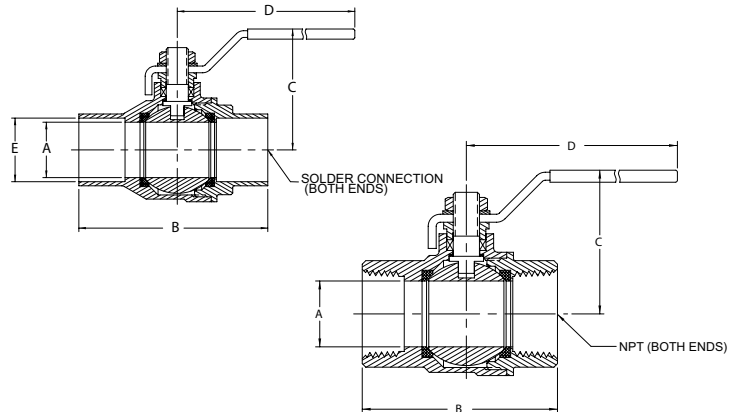
- **CSA:** 1/4"-4" NPT per ANSI Z21.15/ CGA 9.1 (1/2 psi)/CGA 3.16 (125 psi)
1/4"-4" NPT per ASME B16.44 (5 psi)
1/2"-2" NPT per ASME B16.33 (125 psi)
2 1/2"-4" NPT per ASME B16.38 (125 psi)
- **UL:** Guides YQNZ, YRBX, YRPV, YSDT and MHKZ (1/4" - 4" NPT only)
- UL 258 - VQGU Trim & Drain 175# max (1/4" - 2")
- **FM:** 1/4"-2" per FM1140 (<175 psi)
- **MSS SP-110:** Ball Valves Threaded, Socket-Welding, Solder joint, Grooved and Flared Ends

STANDARD MATERIALS LIST

Part Name	Material
Body	Forged Brass (Cu >57%)
Retainer	Forged Brass (Cu >57%)
Ball	Brass, Cr plated
Stem	Brass, Cr plated
Seats	PTFE
Stem Packing	PTFE
Gland Nut	Brass
Friction Washer	PTFE
Handle	Steel w/corrosion resistant plating
Handle Cover	PVC
Handle Nut	Steel w/corrosion resistant plating

DIMENSIONS

Part Number	Size (in.)	Dimensions (in.)					Wt. (lbs.)
		A	B	C	D	E	
NPT							
94A-101-01	1/4"	0.395	1.746	1.840	3.543	-	0.33
94A-102-01	3/8"	0.407	1.756	1.840	3.543	-	0.30
94A-103-01	1/2"	0.583	2.047	1.921	3.543	-	0.44
94A-104-01	3/4"	0.748	2.362	2.087	3.780	-	0.66
94A-105-01	1"	0.945	2.756	2.559	4.528	-	1.10
94A-106-01	1-1/4"	1.260	3.307	2.953	4.528	-	1.57
94A-107-01	1-1/2"	1.575	3.661	3.346	5.512	-	2.40
94A-108-01	2"	1.969	4.181	3.681	5.512	-	3.37
94A-109-01	2-1/2"	2.520	5.378	4.764	8.661	-	7.60
94A-100-01	3"	2.953	6.039	5.079	8.661	-	9.36
94A-10A-01	4"	3.898	7.386	5.866	9.606	-	16.85
SOLDER							
94A-203-01	1/2"	0.583	2.047	1.839	3.543	0.630	0.38
94A-204-01	3/4"	0.748	2.748	1.996	3.780	0.878	0.64
94A-205-01	1"	0.945	3.228	2.441	4.528	1.130	0.99
94A-206-01	1-1/4"	1.260	3.819	2.854	4.528	1.378	1.40
94A-207-01	1-1/2"	1.575	4.425	3.169	5.512	1.630	2.17
94A-208-01	2"	1.969	5.315	3.449	5.512	2.130	2.97
94A-209-01	2-1/2"	2.520	6.283	4.764	8.661	2.630	6.36
94A-200-01	3"	2.953	7.150	5.079	8.661	3.130	8.32
94A-20A-01	4"	3.945	9.276	5.866	9.606	4.130	15.78



OPTIONAL HANDLE KITS

Size	Replacement Lever Handles	2-1/4" Stem Extension + Memory Stop
1/4" - 3/8"	W932400	78217101
1/2"	W932500	78217201
3/4"	W936000	78217301
1"	W932600	78217401
1-1/4"	W932700	78217501
1-1/2"	W932800	78217601
2"	W233200	78217601
2-1/2" - 3"	W932900	78217701
4"	W933000	78217801

Apollo Valves / Conbraco Industries, Inc.
701 Matthews Mint-Hill Road, Matthews, NC 28105 USA
www.apollovalves.com | (704) 841-6000

Not to be used to convey or dispense water for human consumption in the United States after 1/4/2014.

This specification is provided for reference only. Conbraco Industries Inc. reserves the right to change any portion of this specification without notice and without incurring obligation to make such changes to Conbraco products previously or subsequently sold. Please visit our website @ www.apollovalves.com for the most current information.

