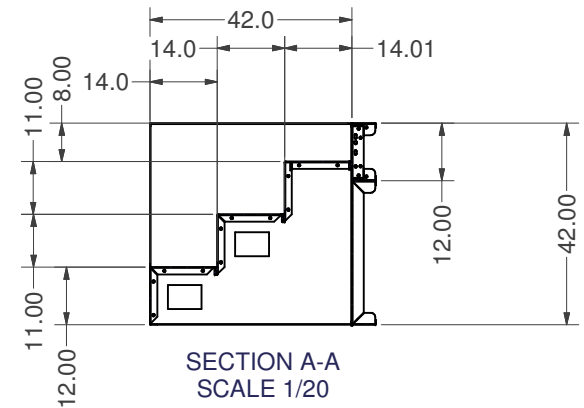
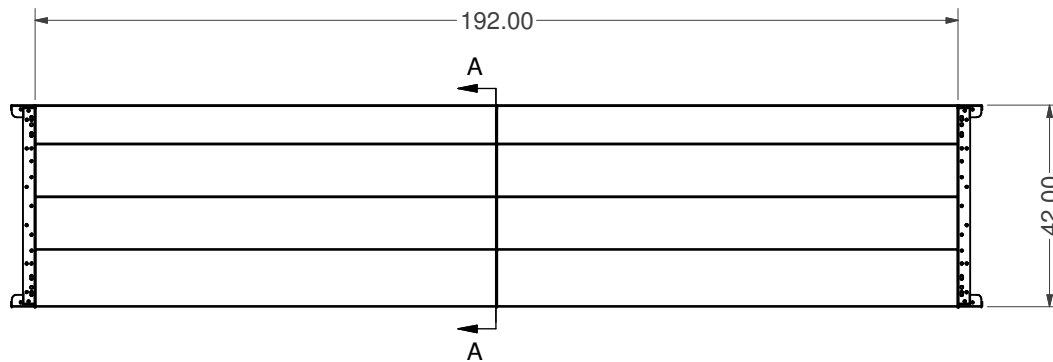


SSC-1099

**NOTE: PVC 6" RADIUS INSERTS WILL BE PROVIDED WITH ALL STEP/BENCH KITS THAT HAVE 90 DEGREE CORNER.**



## STEEL STEP STR-90 3 TRD 16'



TOLERANCES EXCEPT AS NOTED:

0/0 0.0 0.00 0.000 0°  
 ±1/8 ±0.25 ±0.0625 ±0.03125 ±1/2°

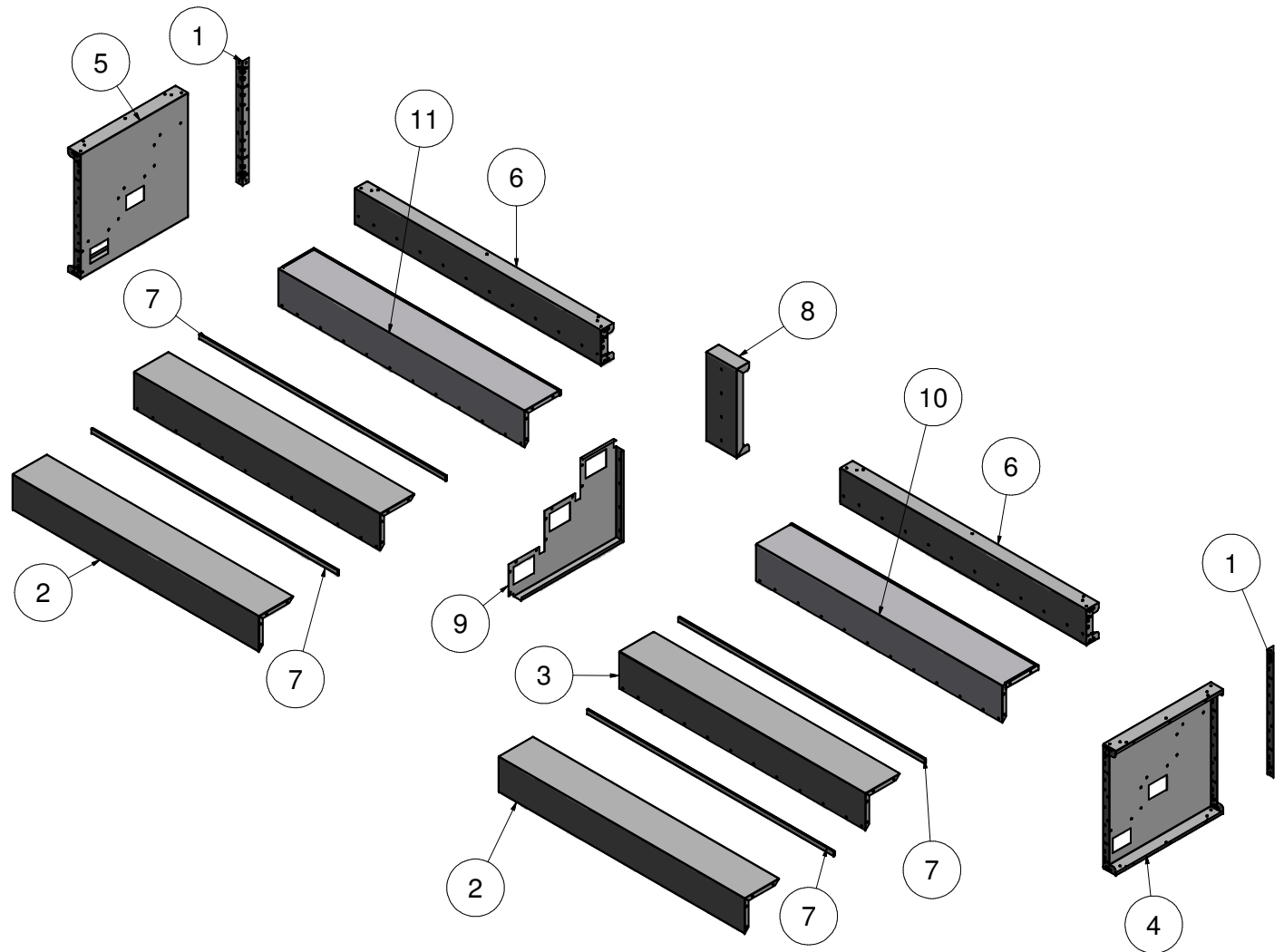
**DATE : 1/10/2017**

**PART #: SSK-ST192ST90**

**SHEET : 1 OF 2**

**SECTION: 1 - 14**

| Parts List |     |             |
|------------|-----|-------------|
| ITEM       | QTY | PART NUMBER |
| 1          | 2   | IPC-AB90    |
| 2          | 2   | SSC-0400-A  |
| 3          | 2   | SSC-0401-A  |
| 4          | 1   | SSC-0402-A  |
| 5          | 1   | SSC-0403-A  |
| 6          | 2   | SSC-0404-A  |
| 7          | 51' | SSC-1099    |
| 8          | 1   | SSC-1104-A  |
| 9          | 1   | SSC-1105-A  |
| 10         | 1   | SSC-1130-A  |
| 11         | 1   | SSC-1131-A  |



## STEEL STEP STR-90 3 TRD 16'



TOLERANCES EXCEPT AS NOTED:

0/0 0.0 0.00 0.000 0°  
 ±1/8 ±0.25 ±0.0625 ±0.03125 ±1/2°

**DATE : 1/10/2017**

**PART #: SSK-ST192ST90**

**SHEET : 2 OF 2**

**SECTION: 1 - 14**