

EFFICIENT BY DESIGN



SHARKJET™

For Above Ground pools



CARVIN
POOL EQUIPMENT

SHARKJET™

CARVIN®

Above Ground Pool Pump

FEATURES

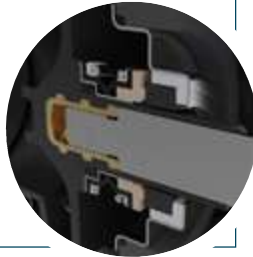


Easy Quarter Turn Opening System.

The integrated handles allow tool-free access to the strainer basket.

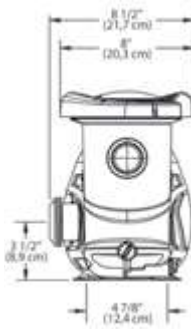
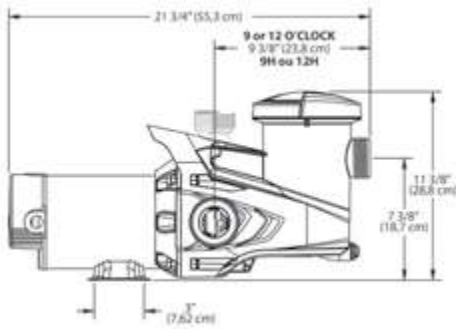
Exclusive Run Dry.

Exclusive air-cooled heat sink allows pump to run dry without damage to shaft seal.



- **Heavy-Duty Large Capacity Strainer Basket.** The internal ribs in the large strainer basket assure flow, even when filled with leaves and debris.
- **Integrated Handle.** Pump's body is equipped with an integrated handle for easy transport.
- **One-Piece Case.** Eliminates leaks and ensures quiet operation.
- **Top or Side Position Discharge.**

DIMENSIONS



SCAN or CLICK
Product details here