

Wet Rotor Pumps



FP-Series

Our wet rotor water feature pumps are energy-efficient and ideal for powering water features and pond filtration systems with flow requirements from 1,000 gph to 8,100 gph. These pumps are rated for continuous duty to operate in the most rigorous applications.

- Fitting adapters included
- Use with a screen or skimmer recommended
- Energy efficient
- Can be used external or submerged



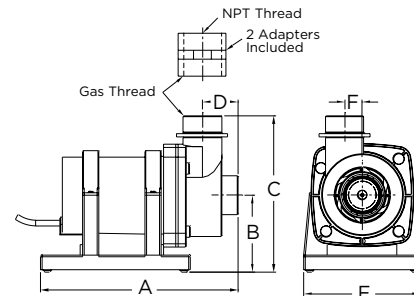
FP1



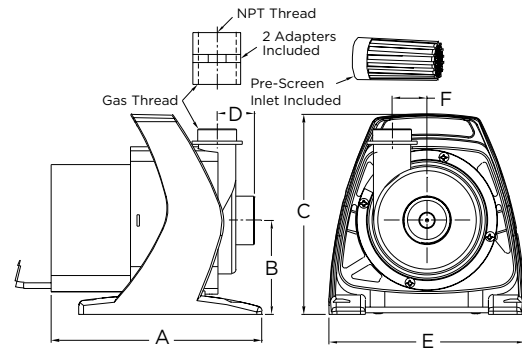
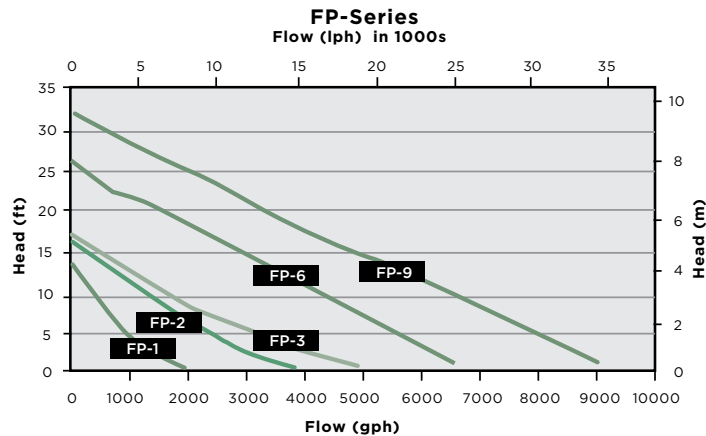
FP9

FP-SERIES	Item Number	Amps	Watts	Cord (ft)	Submerged Use	Inline Use	Discharge FNPT	Gallons Per Hour (GPH) at height					Shut Off (ft)
								5'	10'	15'	20'	25'	
FP1	566132	0.9	106	26	✓	✓	1-1/4"	1000	390	-	-	-	14
FP2	566133	1.45	167	26	✓	✓	1-1/2"	2220	1210	400	-	-	16
FP3	566134	1.85	226	26	✓	✓	2"	3200	1640	690	-	-	17
FP6	566135	4.6	557	26	✓	✓	1-1/2"	5760	4380	3000	1730	350	27
FP9	566137	6.5	730	26	✓	✓	2"	8100	6580	4860	3290	1930	31

DIMENSIONS (INCHES)	A	B	C	D	E	F
FP1	9.2	3.8	7.7	1.6	5.7	1.0
FP2	9.5	3.8	7.7	1.7	5.7	0.85
FP3	10.3	3.8	7.8	2.1	5.7	1.0
FP6	10.0	4.4	9.6	1.8	9.5	1.7
FP9	10.0	4.4	9.6	2.1	9.5	1.7



FP1, FP2, FP3



FP6, FP9

Little GIANT®

Outdoor Living

HOTLINE 888.956.0000

lg-outdoor.com

≤ 400 Gal ≤ 800 Gal ≤ 1200 Gal ≤ 2400 Gal > 2500 Gal Professional Decor Maintenance