

## 16S SERIES - 1 HP

### APPLICATIONS

Sewage and effluent wastewater transfer, dewatering

### FEATURES

- Permanent Split Capacitor (PSC)
- Designed for continuous duty
- 3" FNPT (76.2 mm) discharge
- Handles solids up to 2" (51 mm) diameter
- 140 °F (60 °C) liquid temperature rating
- cCSAus listed



### SERIES SPECIFICATIONS

Item No.	Volts	Hz	Amps		Watts	Gallons per minute (Liters per minute) @ Height			Shut-Off	PSI
			FLA	Start		10'	20'	30'		
514620	230	60	11	19.2	1900	160 (606)	100 (379)	40 (151)	35' (10.7 m)	15.1
514625	200-208	60	11	21	1500	160 (606)	100 (379)	40 (151)	35' (10.7 m)	15.1
514630	230	60	11	19.2	2000	160 (606)	100 (379)	40 (151)	35' (10.7 m)	15.1
514720	230	60	6.3	17	1900	160 (606)	100 (379)	40 (151)	35' (10.7 m)	15.1
514730	380/460	50/60	2.3/3.0	9	850	160 (606)	100 (379)	40 (151)	35' (10.7 m)	15.1
514750	200-208	60	6.8	17.7	1500	160 (606)	100 (379)	40 (151)	35' (10.7 m)	15.1

\* 3-phase requires control panel

Item No.	Model	HP	Volts	Phase	Discharge NPT	Switch Type/Operation	Cord	Weight lbs (Kg)
514620	16S-CIM	1	230	1	3"	Manual	20' (6.1 m)	94 (42.64 Kg)
514625	16S-CIM	1	200-208	1	3"	Manual	20' (6.1 m)	88 (39.92 Kg)
514630	16S-CIM	1	230	1	3"	Manual	40' (12.2 m)	95 (43.09 Kg)
514720	16S-CIM	1	230	3	3"	Manual	20' (6.1 m)	89 (40.37 Kg)
514730	16S-CIM	1	380/460	3	3"	Manual	20' (6.1 m)	90 (40.82 Kg)
514750	16S-CIM	1	200-208	3	3"	Manual	20' (6.1 m)	88 (39.92 Kg)

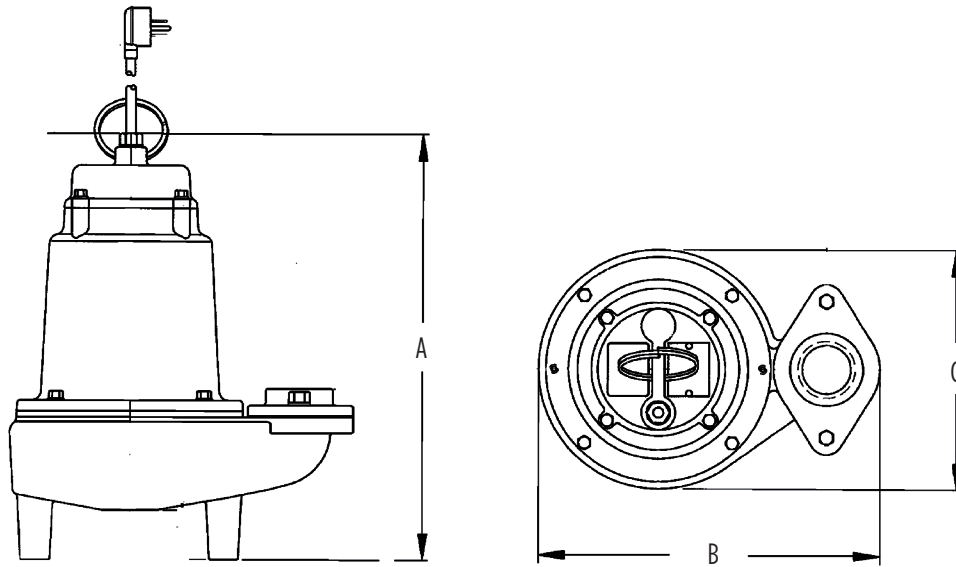
\*\* Three-phase pumps must have a three-phase control panel for automatic or manual operation



# SEWAGE PUMPS

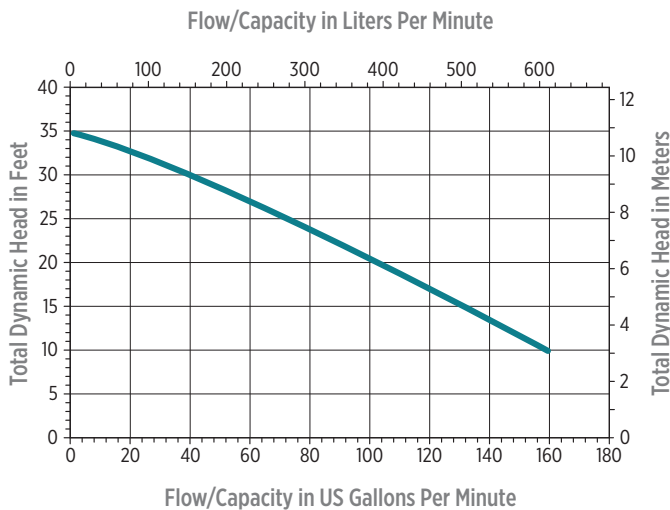
## 16S SERIES - 1 HP

### ENGINEERING DATA



A	B	C
16.15" (41.02 cm)	14.07" (35.74 cm)	9.89" (25.12 cm)

### PERFORMANCE DATA



### CONSTRUCTION

<b>Motor Housing</b>	Epoxy-coated cast iron
<b>Impeller Material</b>	Epoxy-coated cast iron
<b>Impeller Type</b>	Two-vane, non-clog
<b>Volute</b>	Epoxy-coated cast iron
<b>Mechanical Shaft Seal</b>	Nitrile with carbon and ceramic faces
<b>Fasteners</b>	Stainless steel
<b>Shaft</b>	Stainless steel
<b>Bearings</b>	Upper and lower ball bearings
<b>Power Cord</b>	16/3, STW (single-phase) 18/4, SOW (three-phase)

